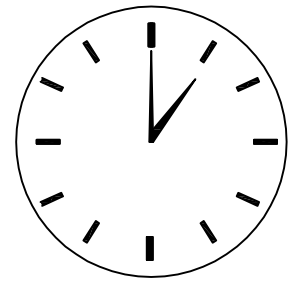
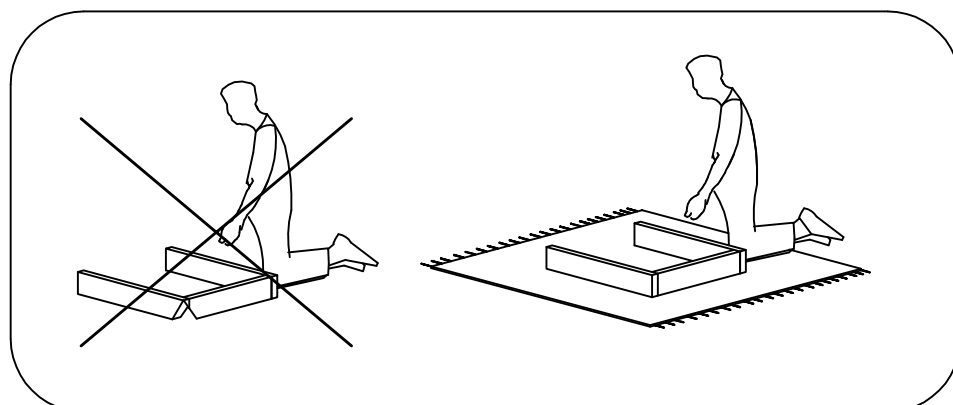
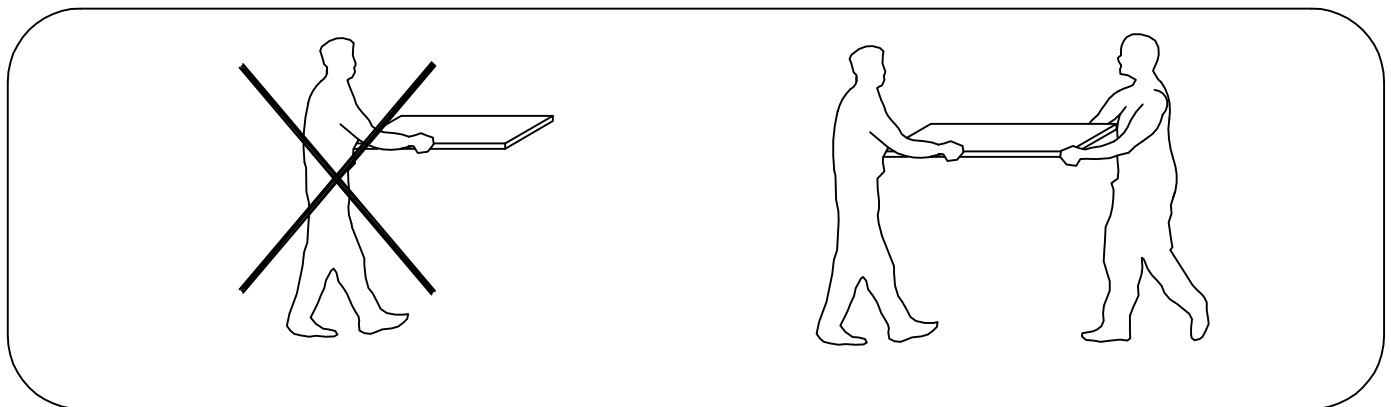
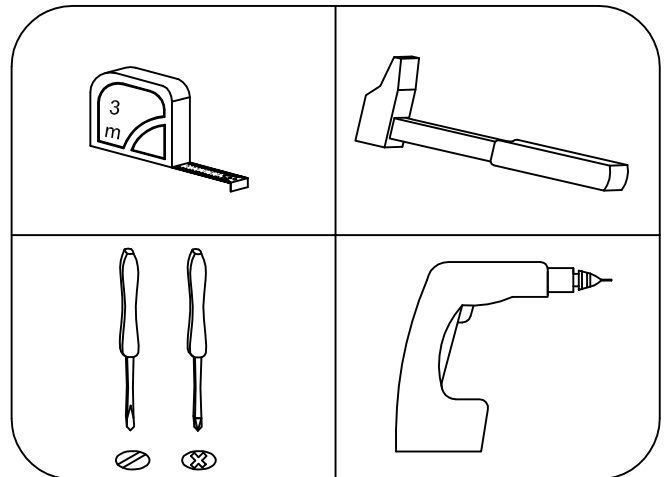
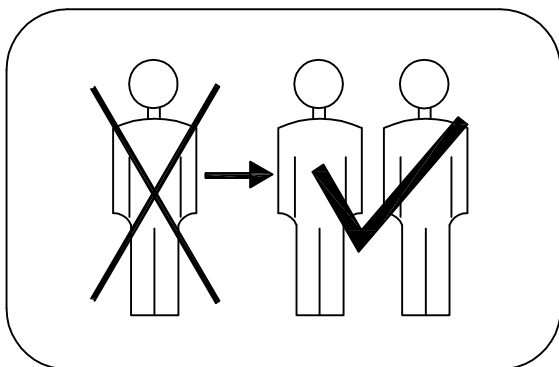
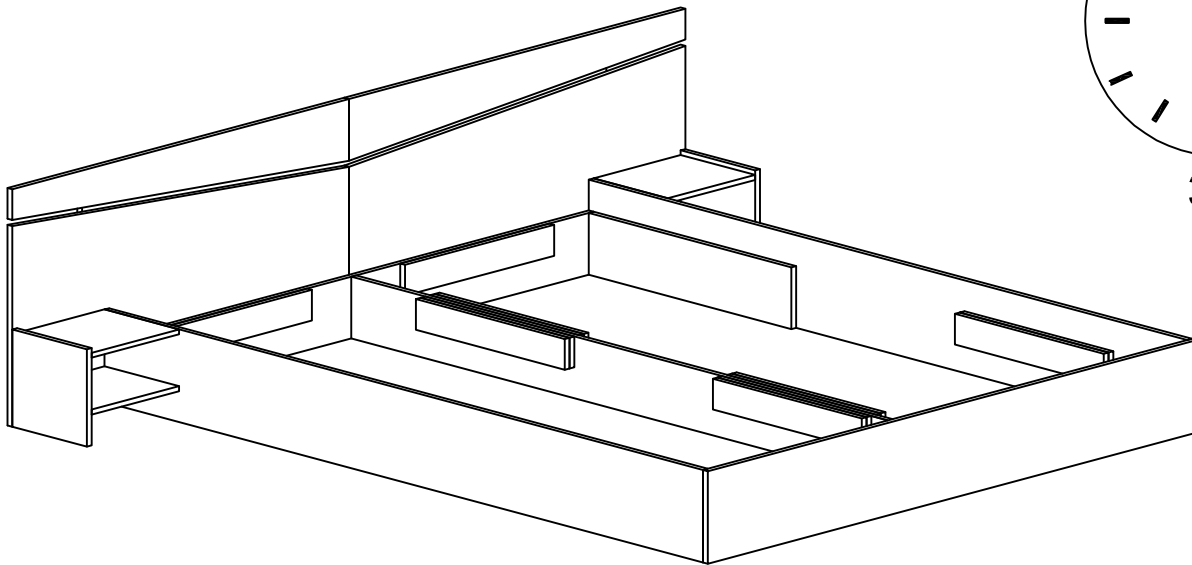


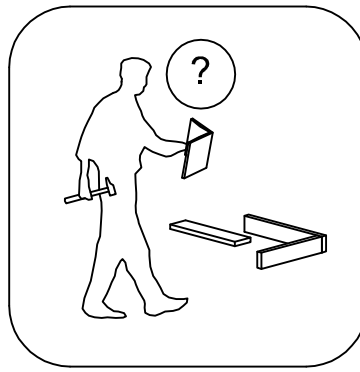
# City 2007

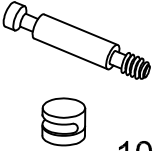

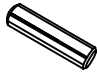
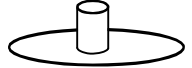
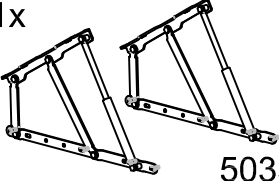

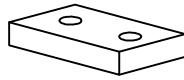
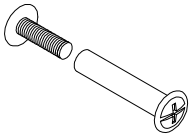
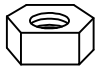
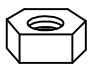

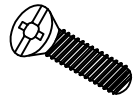
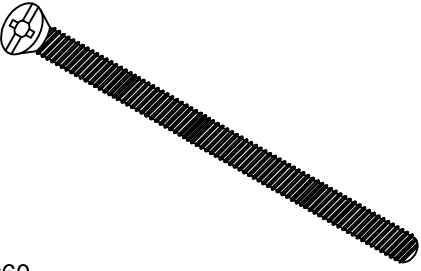
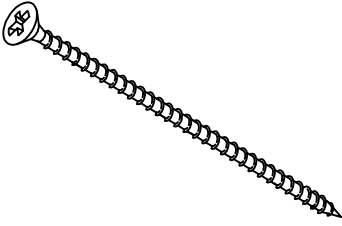
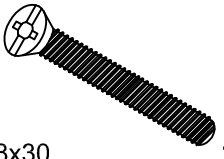
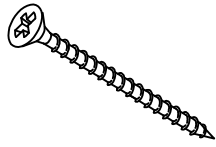

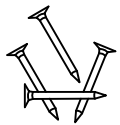


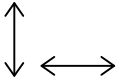
3 h.

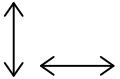


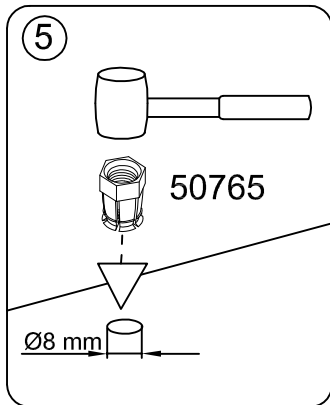
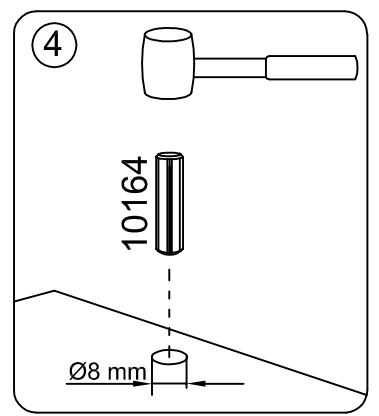
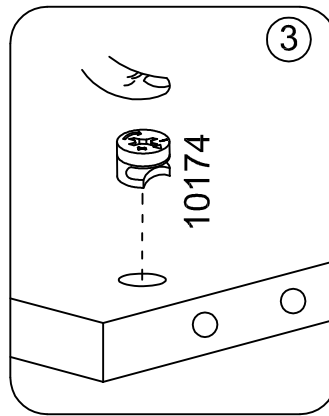
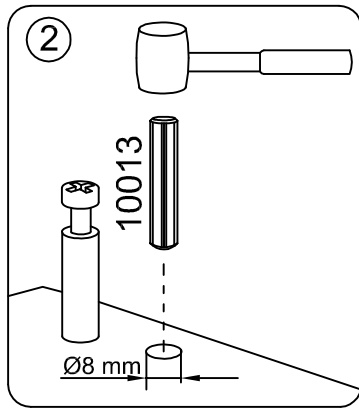
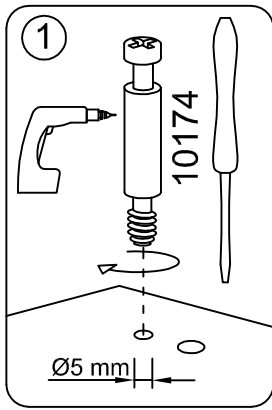
<http://www.irimbg.com/instructions/>



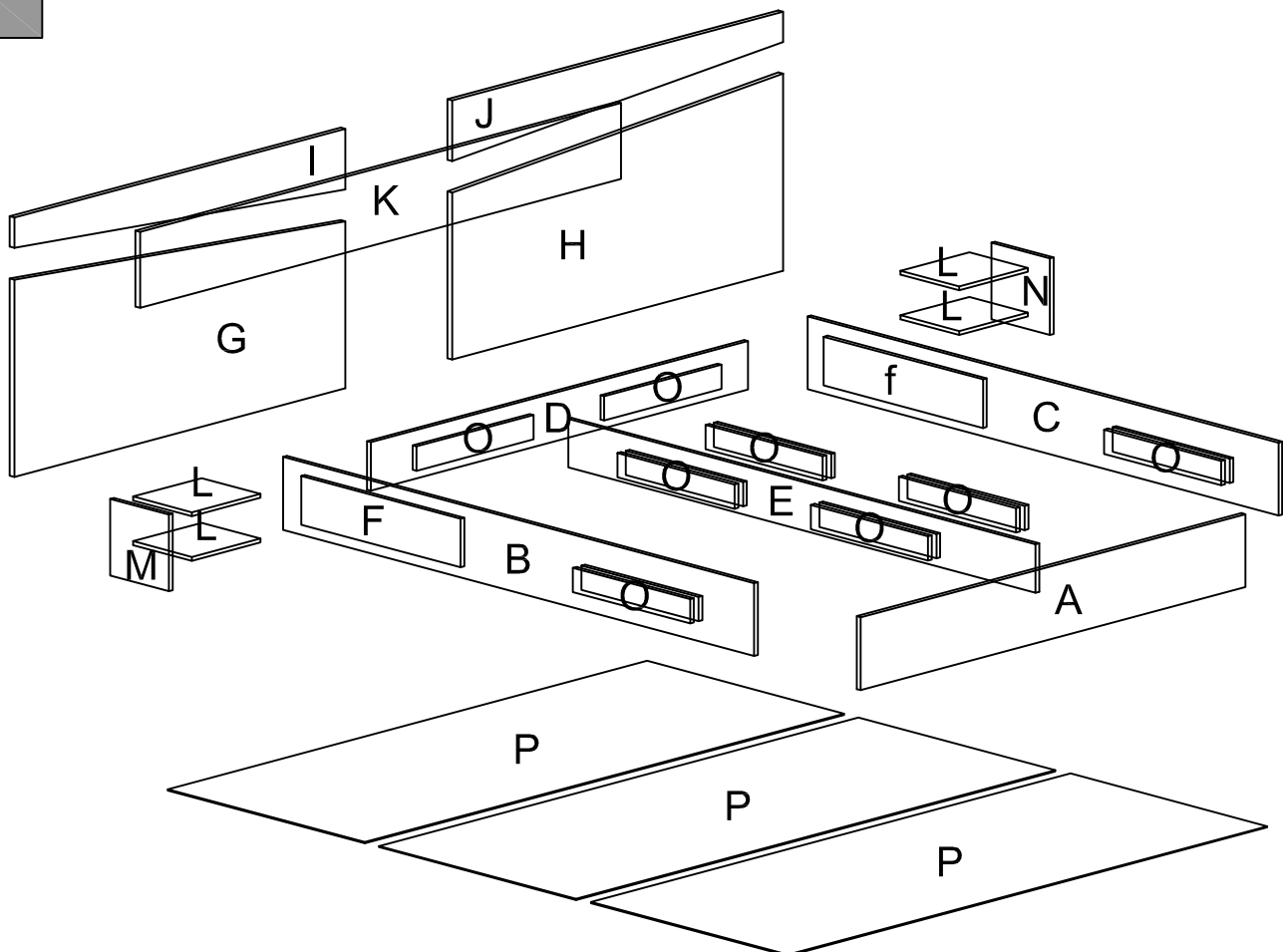
36x  10174	40x  $\Phi$ 8/30 10013	8x  $\Phi$ 8/20 10164	36x  50317
1x  50350	8x  50765	17x  50249	4x  M 4/14 10037
8x  M 8 10092	4x  M 6 10030	8x  M 6,5 10032	8x  M 6x12 10132
4x  M 6x60 10051	4x  M 6x50 10065	8x  M 8x30 10212	
84x  $\Phi$ 3,5/30 10004	34x  $\Phi$ 3,5/20 10002	 10033	

		Box number
A	1642x300	3/4
B	2010x300	2/4
C	2010x300	2/4
D	1610x200	3/4
E	1994x200	2/4
F,f	2x 680x200	3/4
G	1130x650	1/4
H	1130x650	1/4

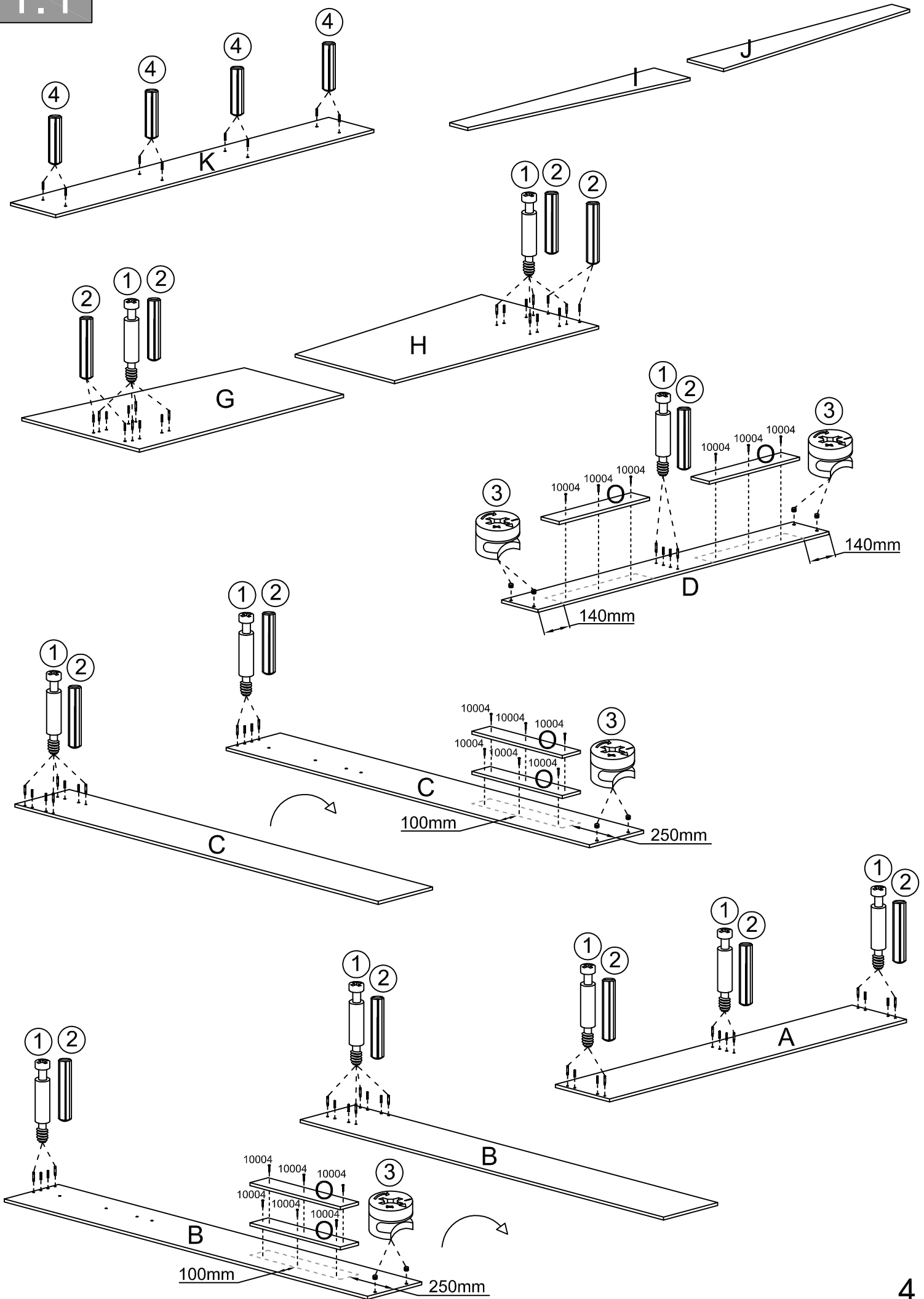
		Box number
I	1130x200	1/4
J	1130x200	1/4
K	1760x250	2/4
L	4x 293x250	3/4
M	315x250	3/4
N	315x250	3/4
O	14x 500x100	3/4
P	3x 1637x672	4/4

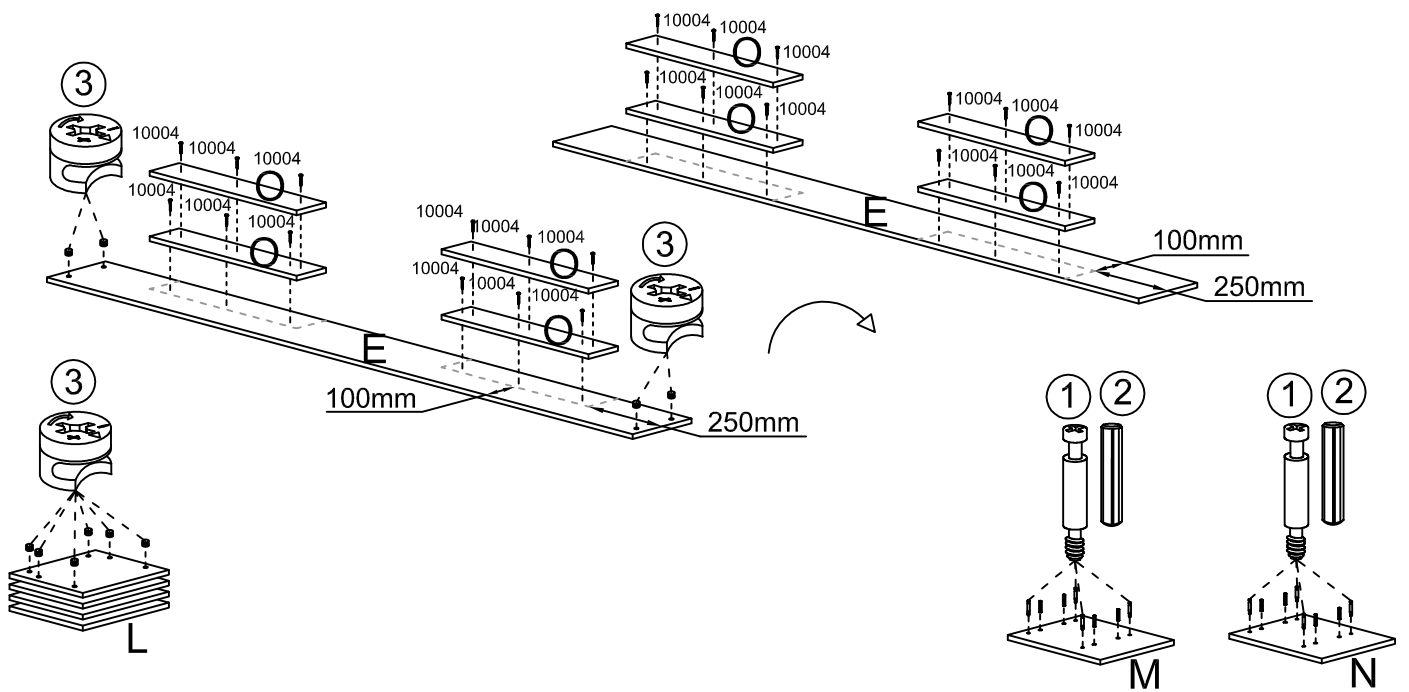


1

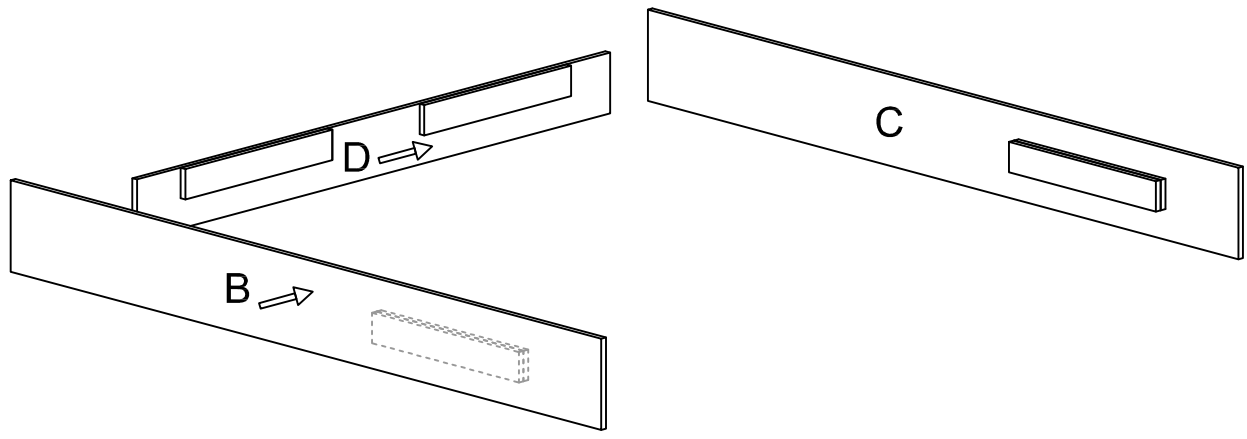
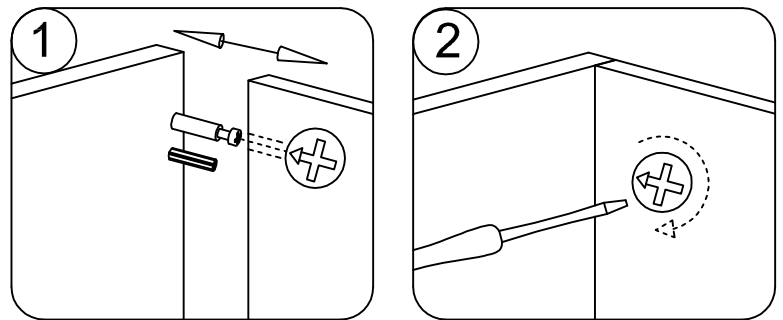


# 1.1

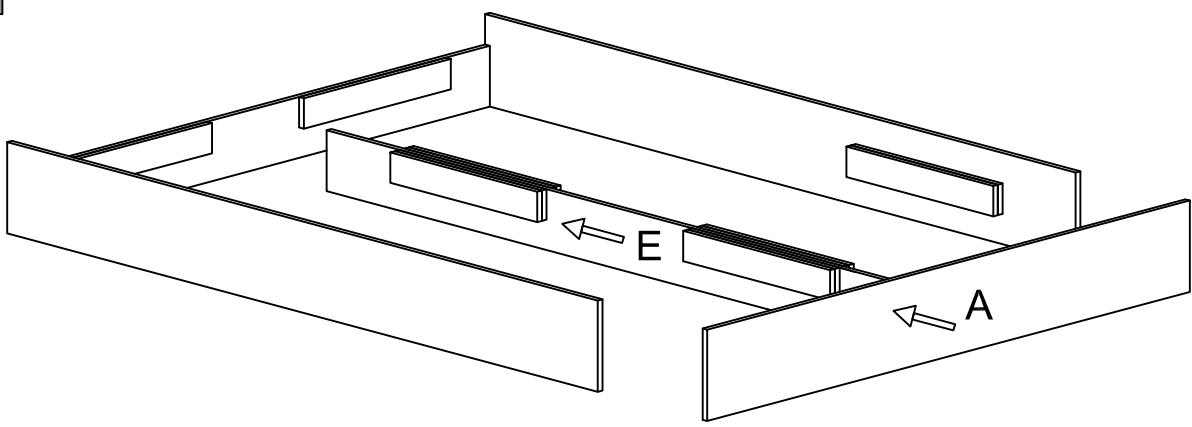




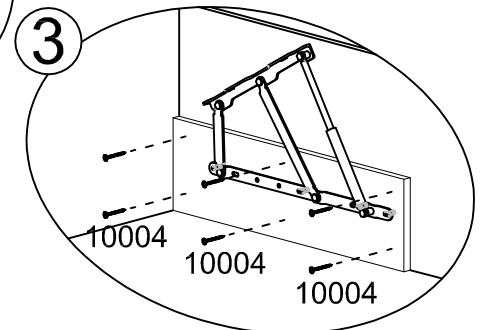
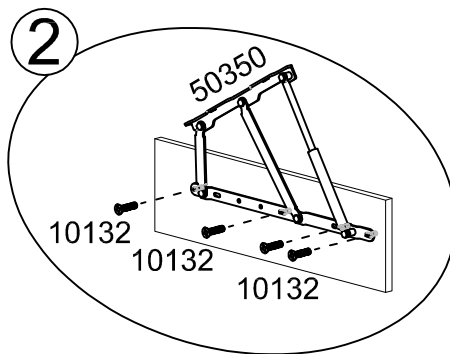
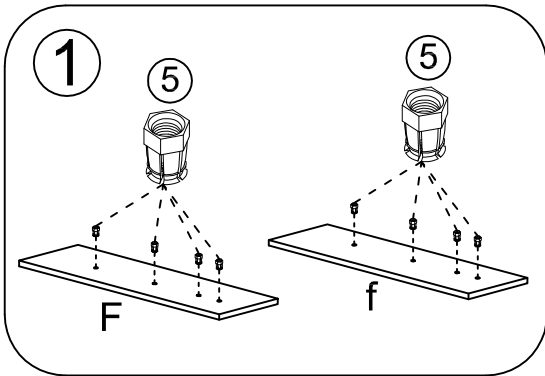
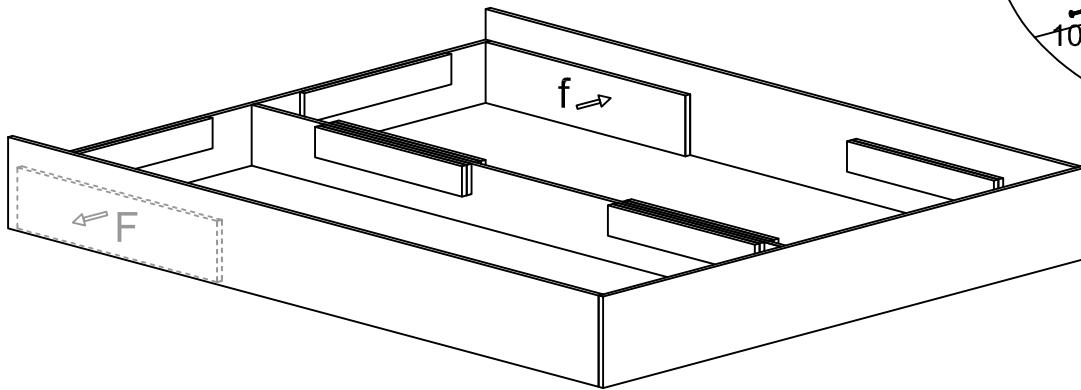
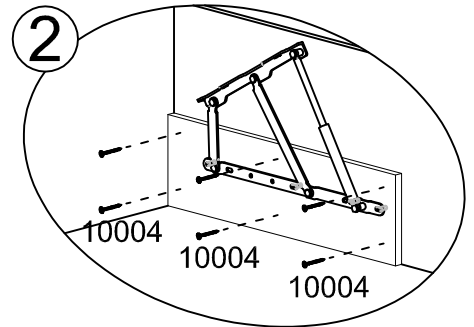
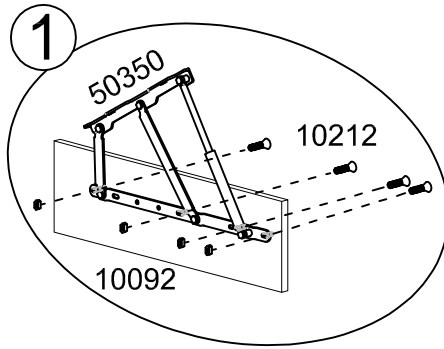
# 1.2



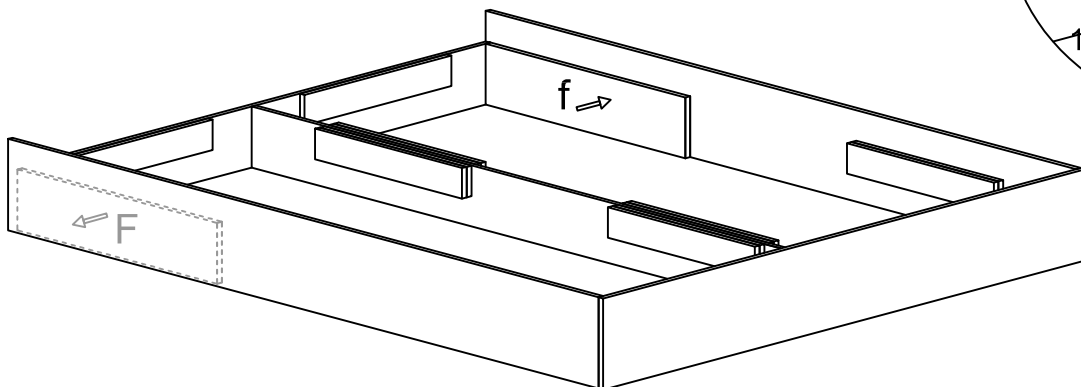
# 1.3



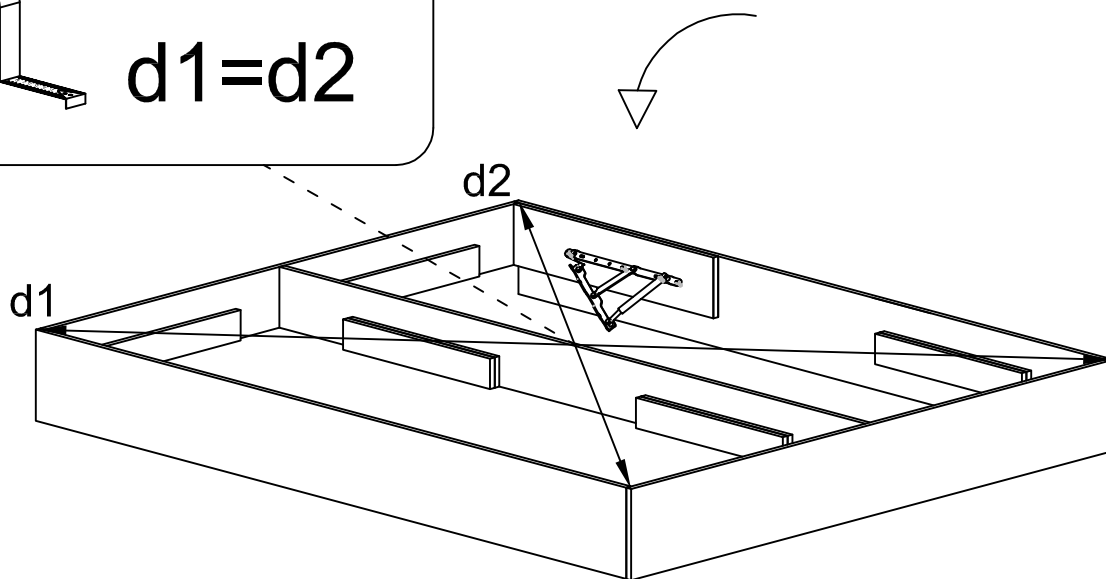
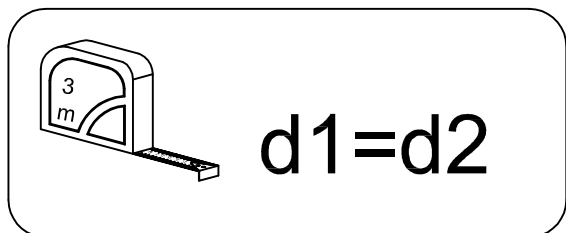
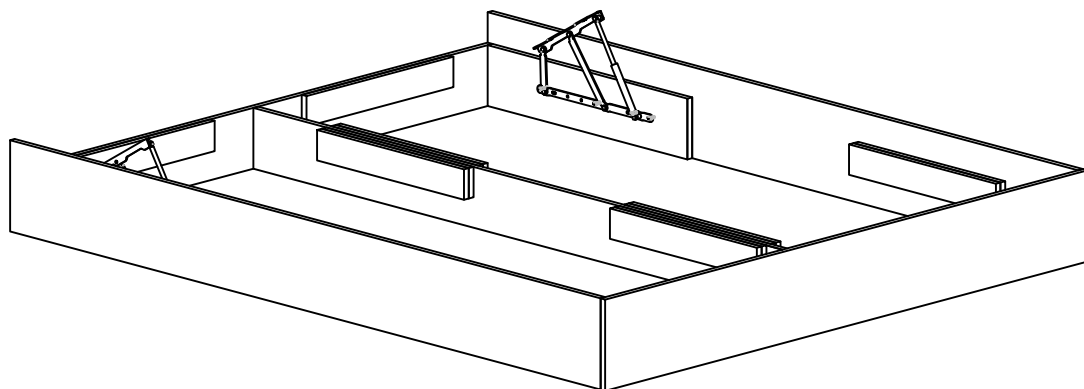
V1



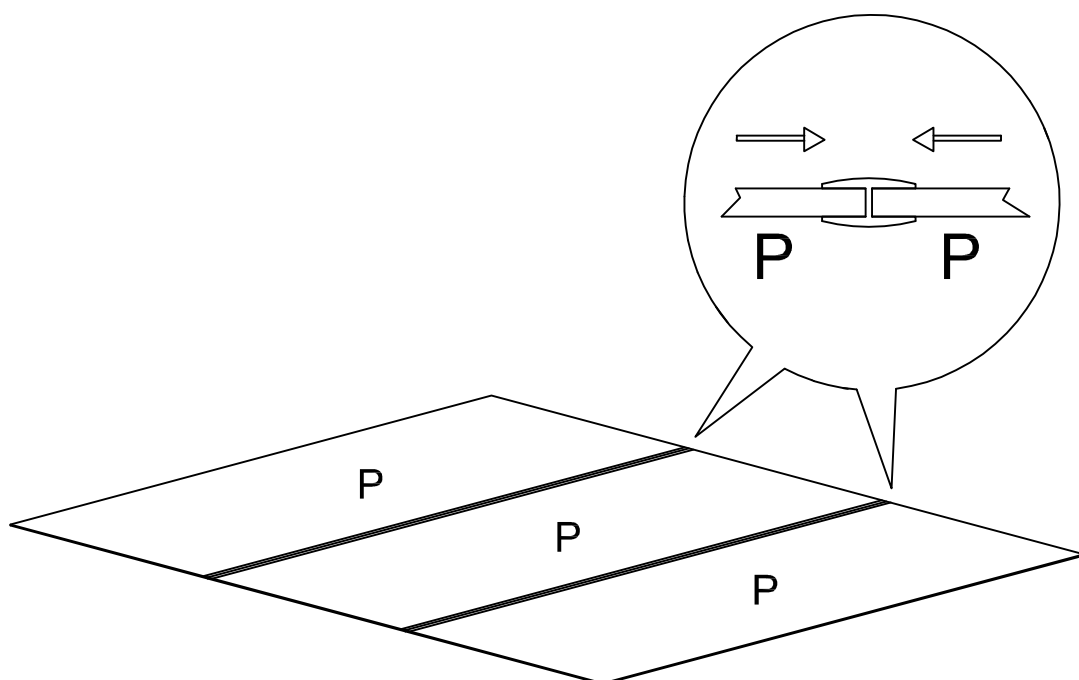
V2

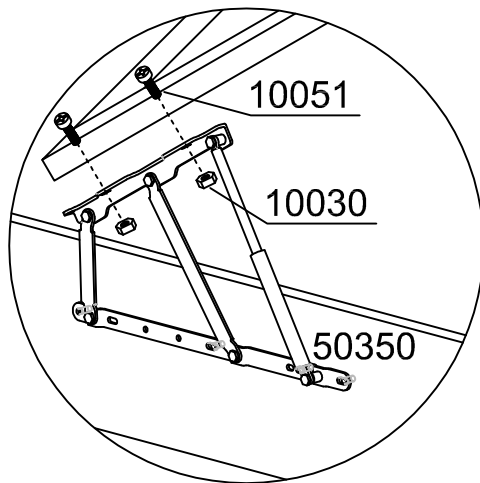
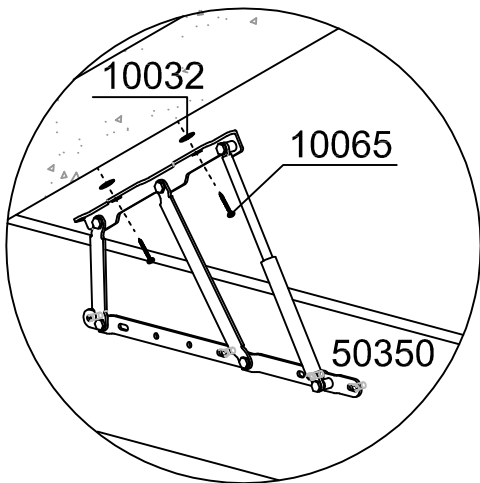
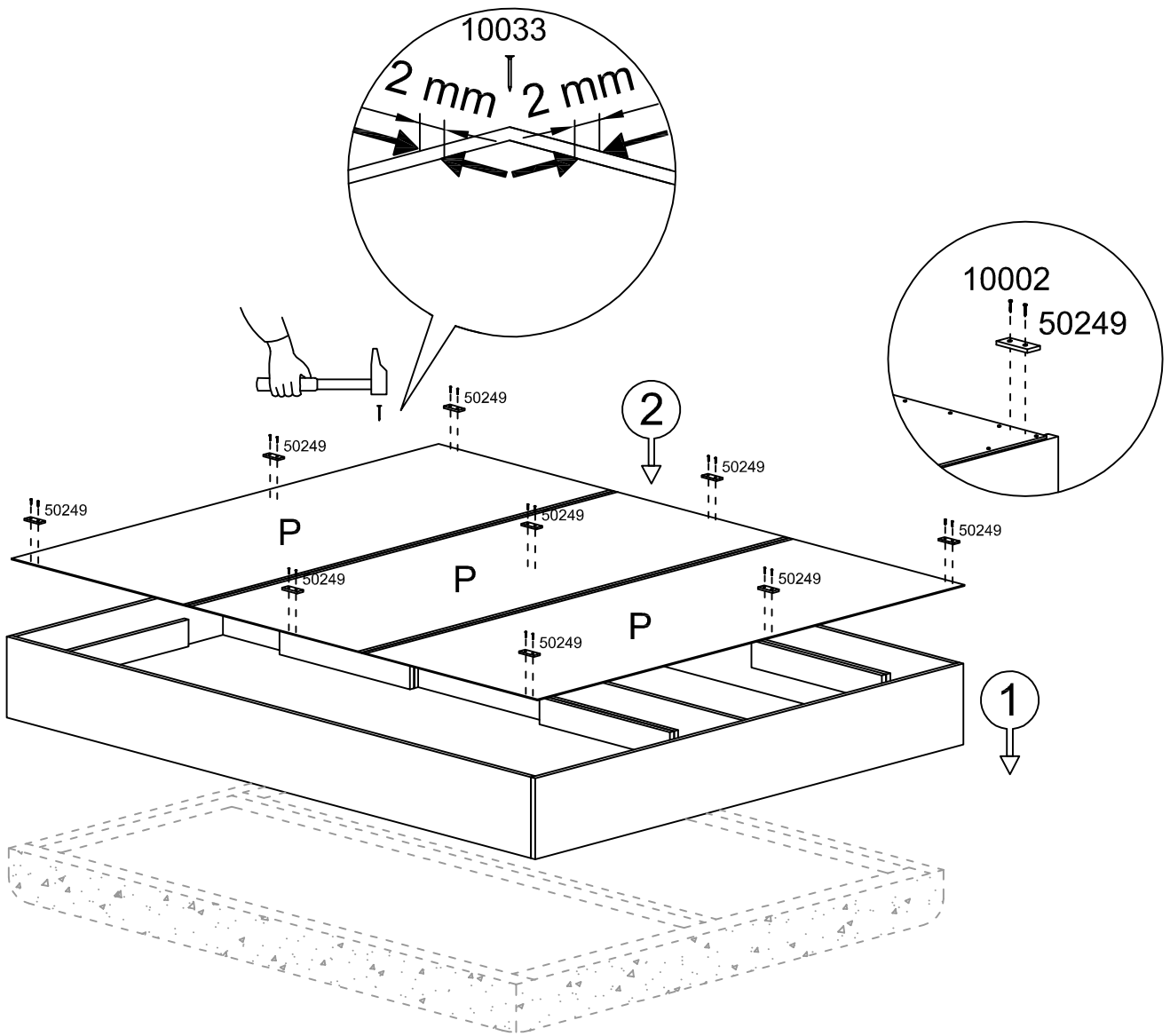


1.5



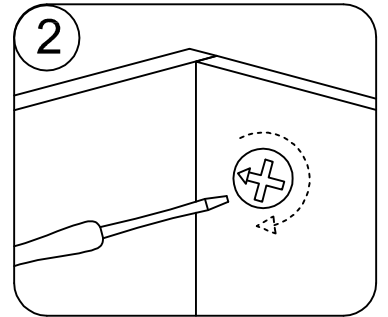
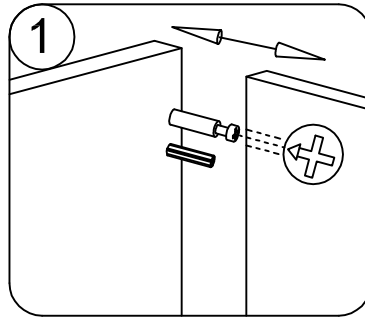
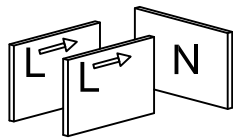
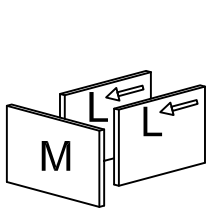
1.6



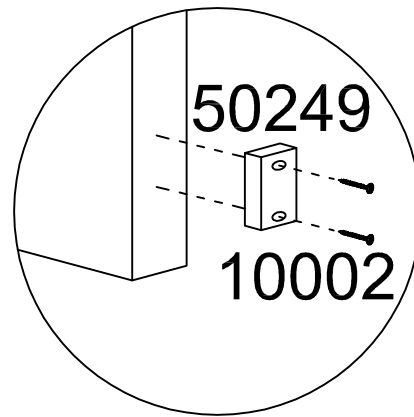
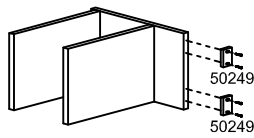
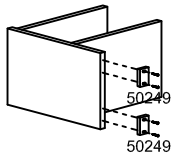




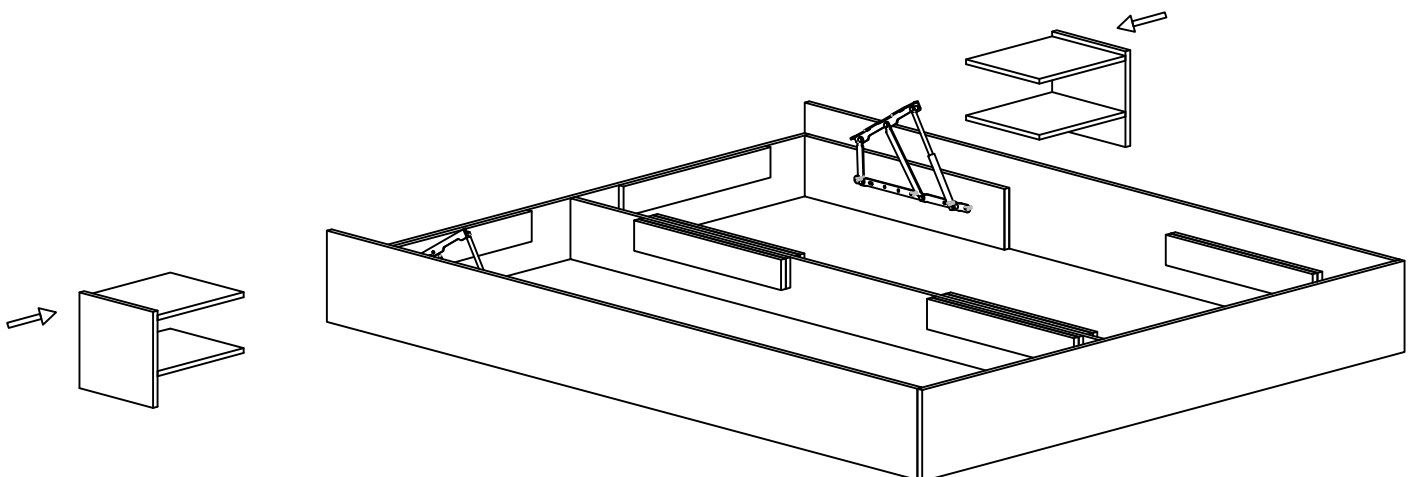
# 1.8



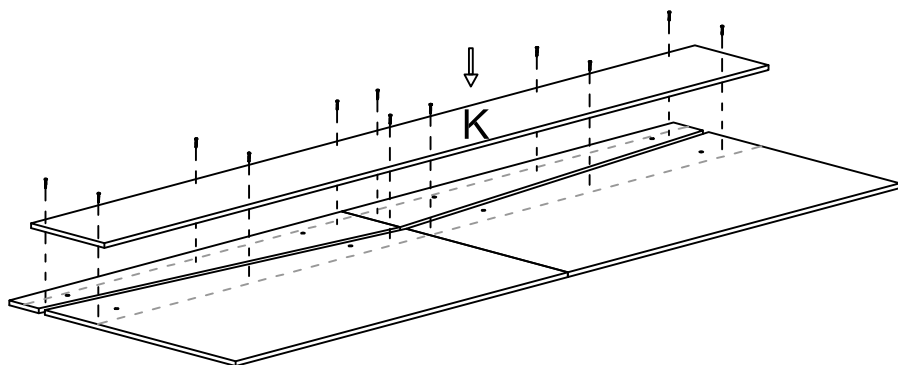
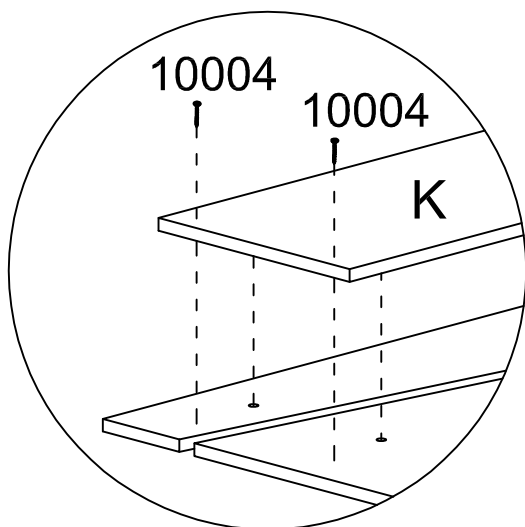
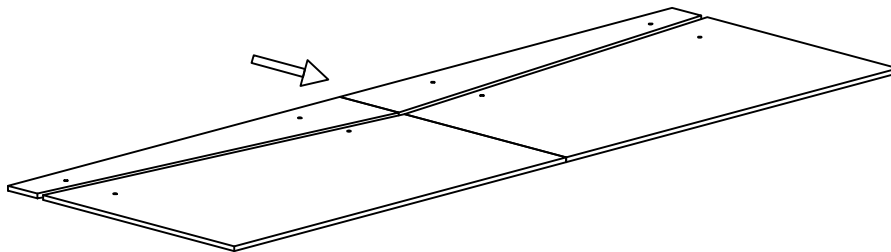
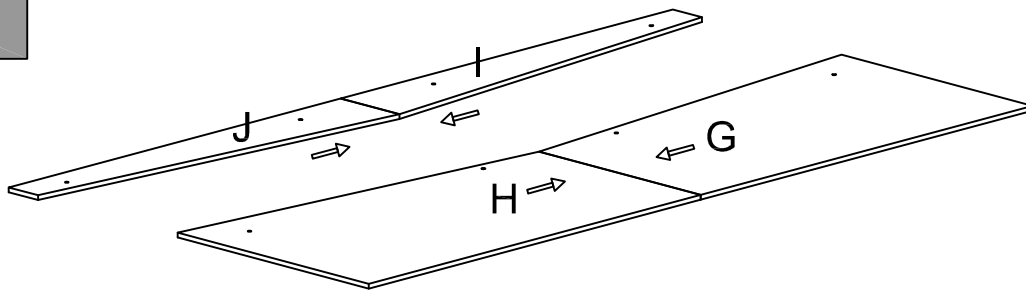
# 1.9



# 1.10



# 1.11



# 1.12

