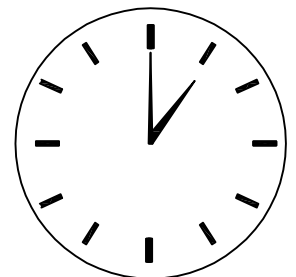
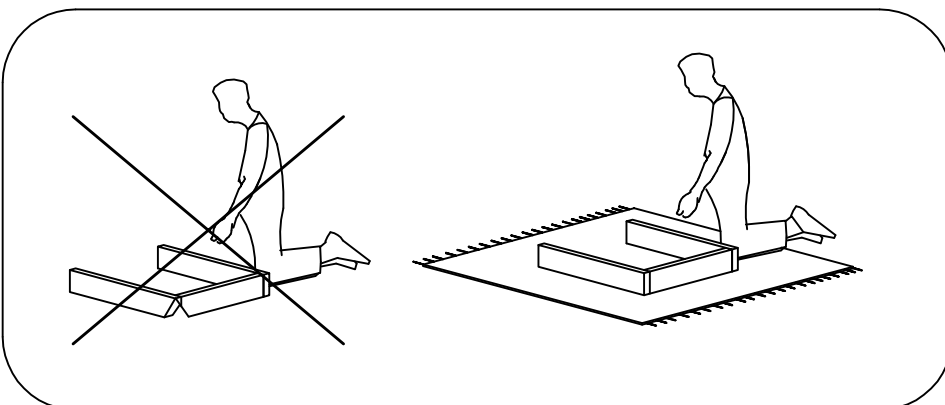
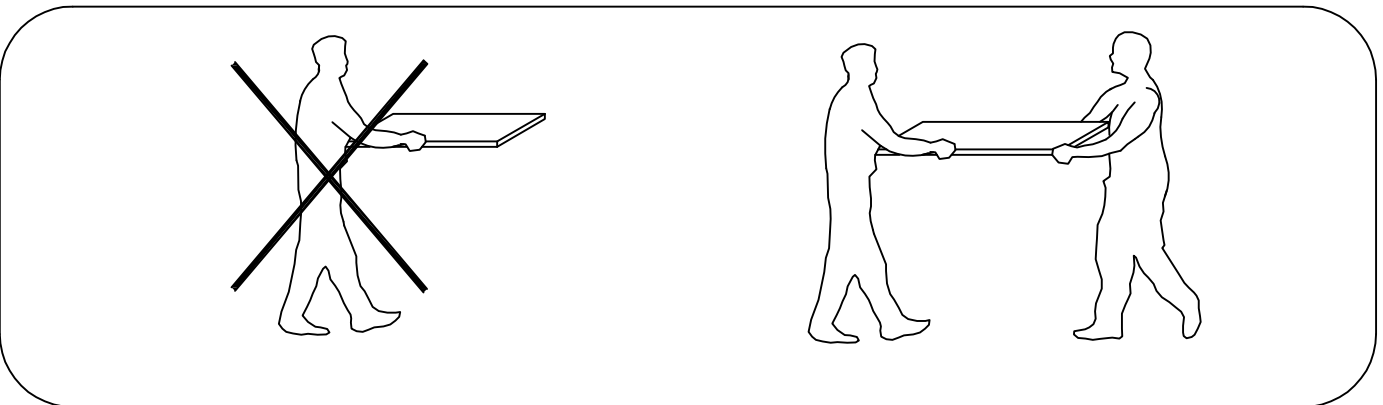
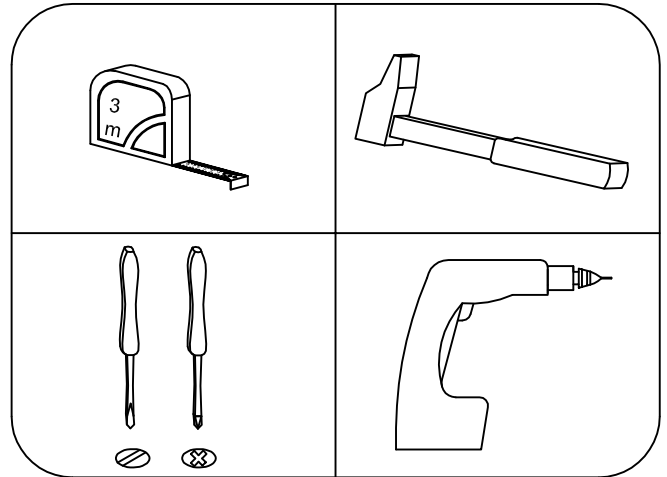
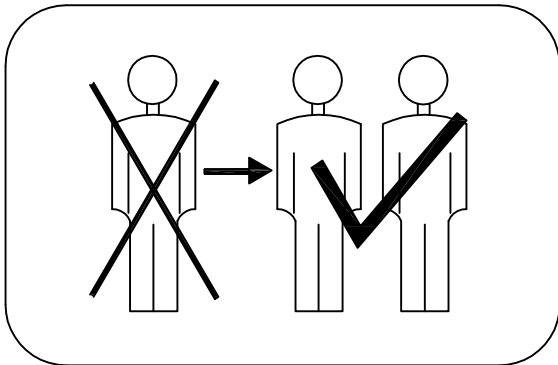
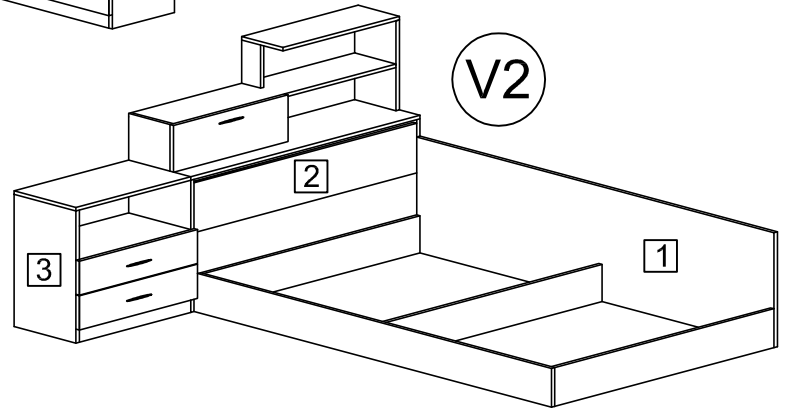
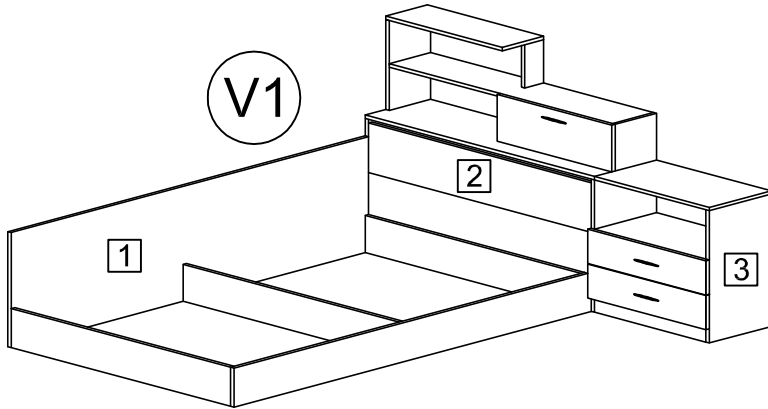


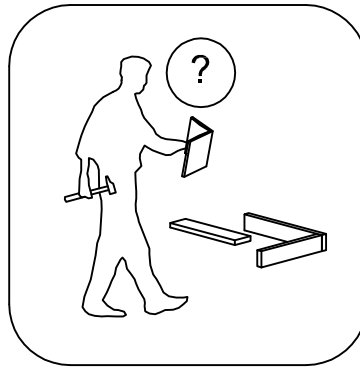
# City 7032

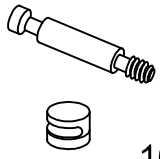
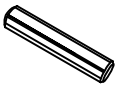
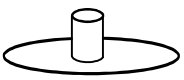
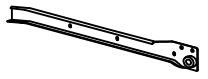
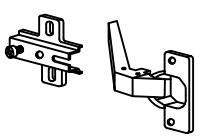
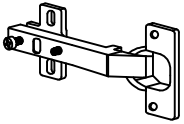
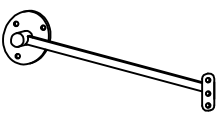
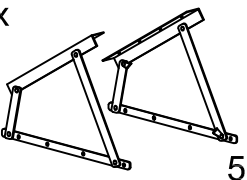
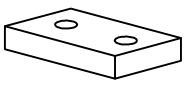
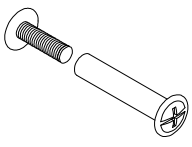


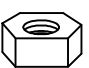
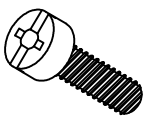
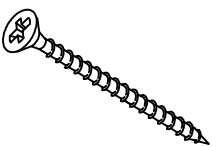
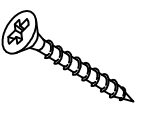
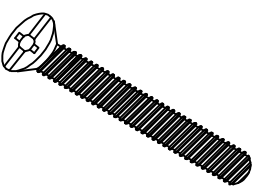
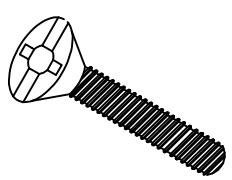
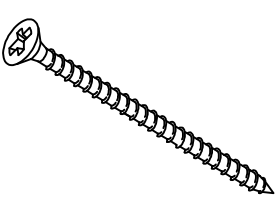
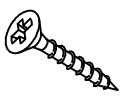
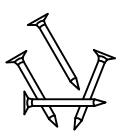


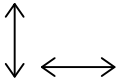
3 h.

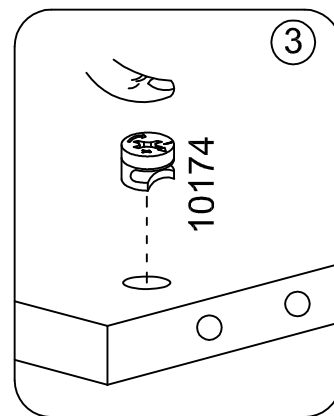
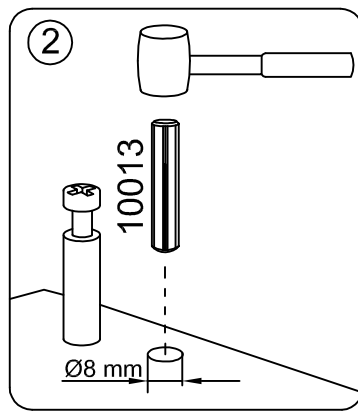
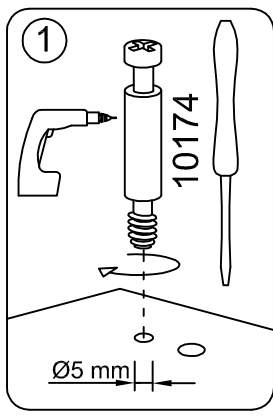


<http://www.irimbg.com/instructions/>

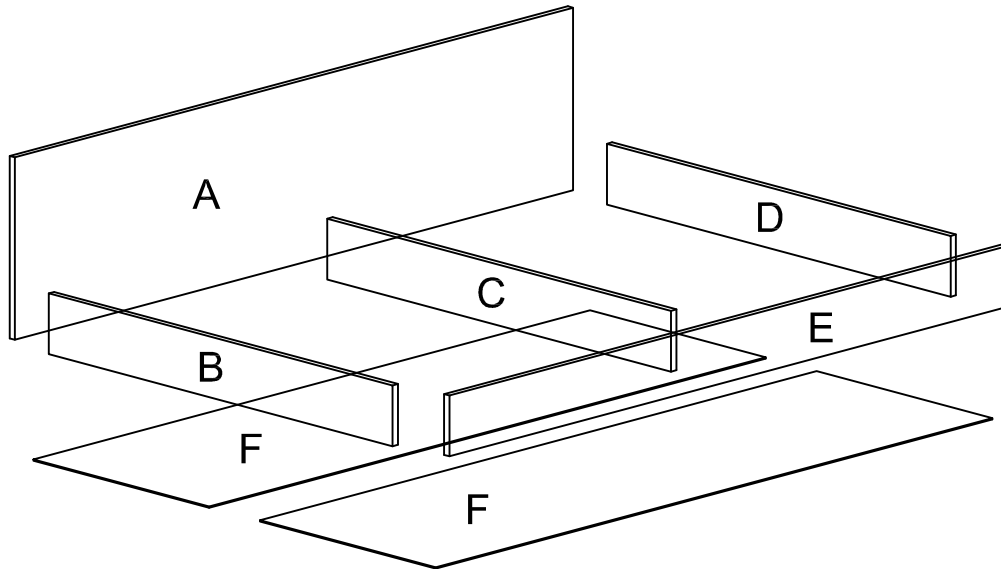


<p>64x</p>  <p>10174</p>	<p>72x</p>  <p><math>\Phi</math> 8/30</p> <p>10013</p>	<p>64x</p>  <p>50317</p>	<p>2x</p>  <p>L 300 mm</p> <p>50953</p>
<p>2x</p>  <p>40013</p>	<p>2x</p>  <p>40161</p>	<p>1x</p>  <p>40011</p>	<p>1x</p>  <p>50048</p>
<p>14x</p>  <p>50249</p>	<p>4x</p>  <p>M 4/14</p> <p>10037</p>	<p>3x</p>  <p>20111</p>	<p>4x</p>  <p>50049</p>
<p>4x</p>  <p>M 6</p> <p>10030</p>	<p>2x</p>  <p>M 4/18</p> <p>10186</p>	<p>4x</p>  <p><math>\Phi</math> 3,5/30</p> <p>10004</p>	<p>45x</p>  <p><math>\Phi</math> 3,5/20</p> <p>10002</p>
<p>4x</p>  <p>M 4x35</p> <p>10053</p>	<p>4x</p>  <p>M 6/30</p> <p>10025</p>	<p>8x</p>  <p><math>\Phi</math> 4/40</p> <p>10007</p>	<p>35x</p>  <p><math>\Phi</math> 3,5/16</p> <p>10001</p>
			 <p>10033</p>

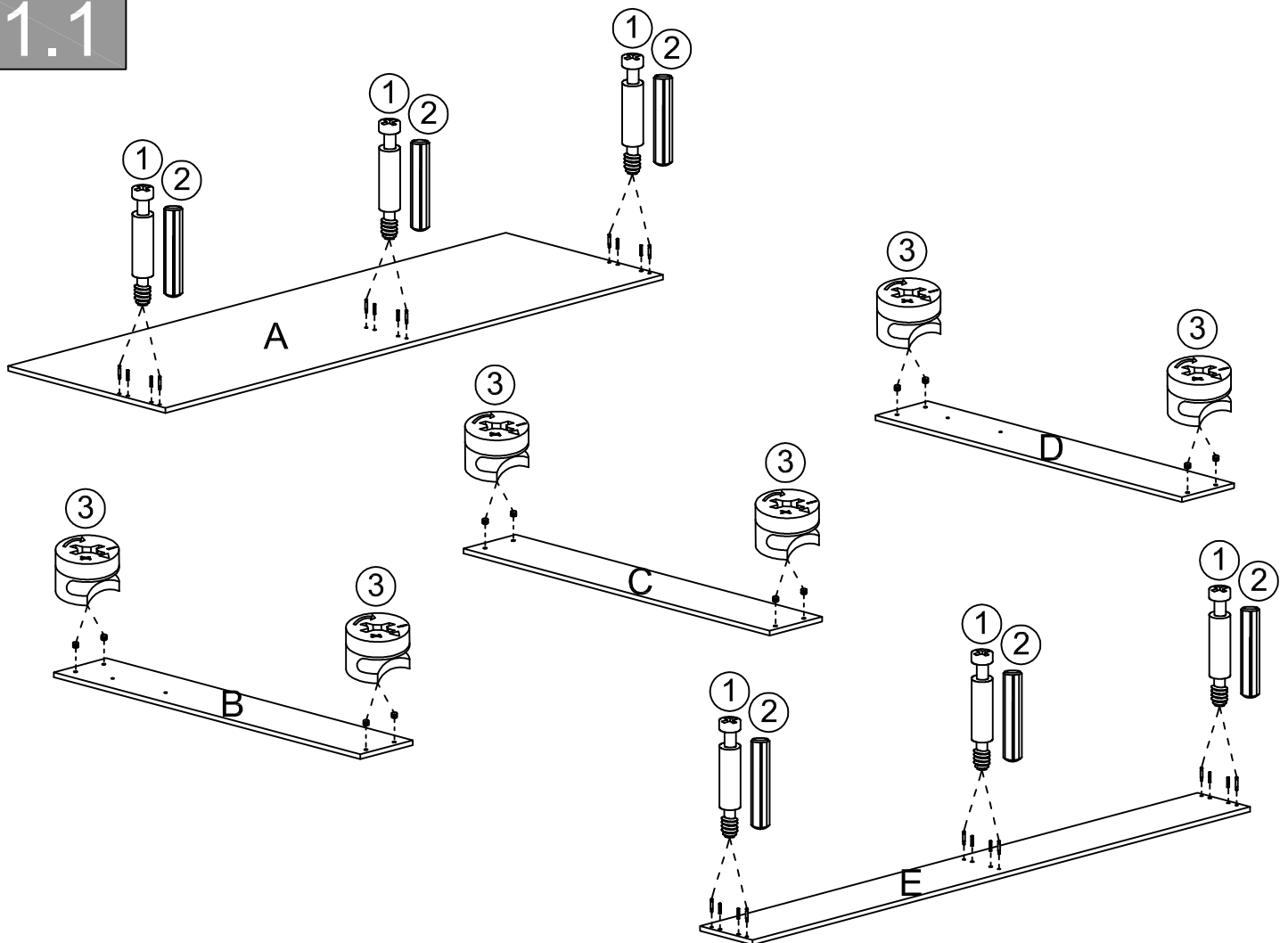
		Box number
A	1900x600	1/4
B	1170x200	2/4
C	1170x200	2/4
D	1170x200	2/4
E	1900x200	1/4
F	2x 1895x598	1/4
G	679x330	2/4
H	679x330	2/4
I	235x1181	2/4
J	415x1188	2/4
K	1188x314	2/4
L	1220x330	2/4
M	130x1215	1/4
N	500x1215	1/4
O	460x220	3/4
P	1188x220	3/4
Q	618x220	3/4
R	222x100	3/4
S	586x220	3/4
T	222x220	3/4
U	238x220	3/4
V	235x615	3/4
W	235x615	1/4
X	679x330	4/4
Y	679x330	4/4
Z	610x330	4/4
AA	578x330	4/4
AB	2x 578x100	4/4
AC	4x 300x100	4/4
AD	4x 521x100	4/4
AE	2x 550x295	1/4
AF	2x 170x607	4/4
AG	275x605	1/4
AH	335x605	1/4



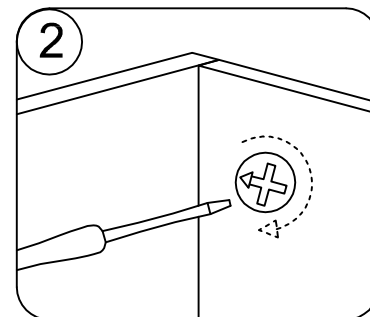
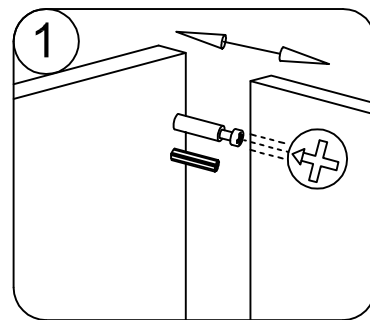
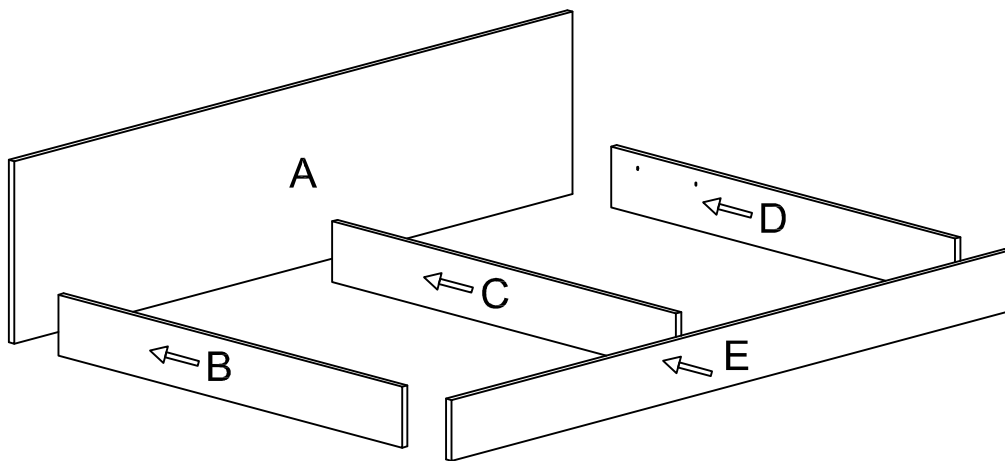
1



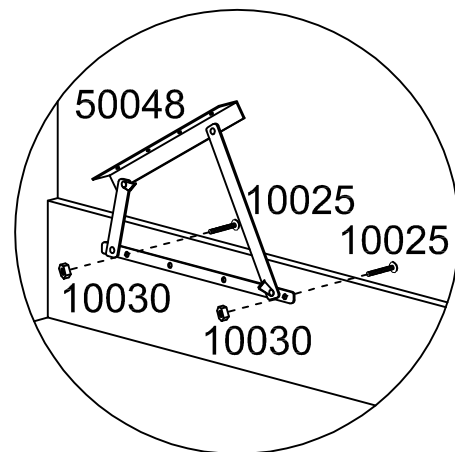
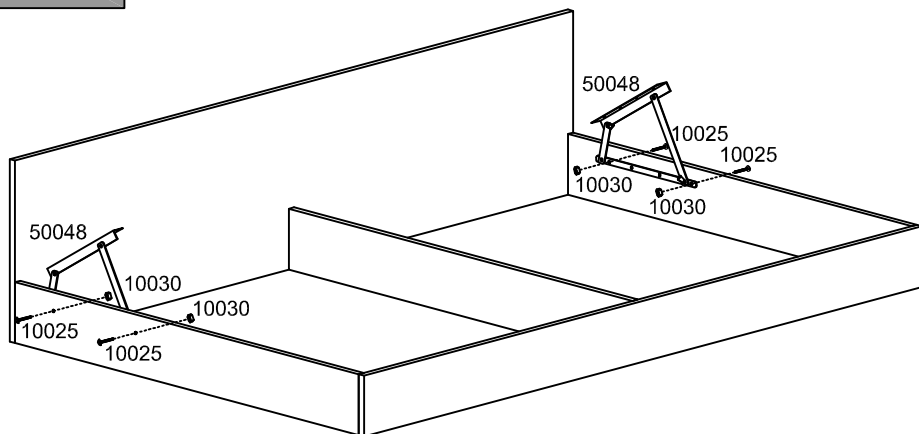
1.1



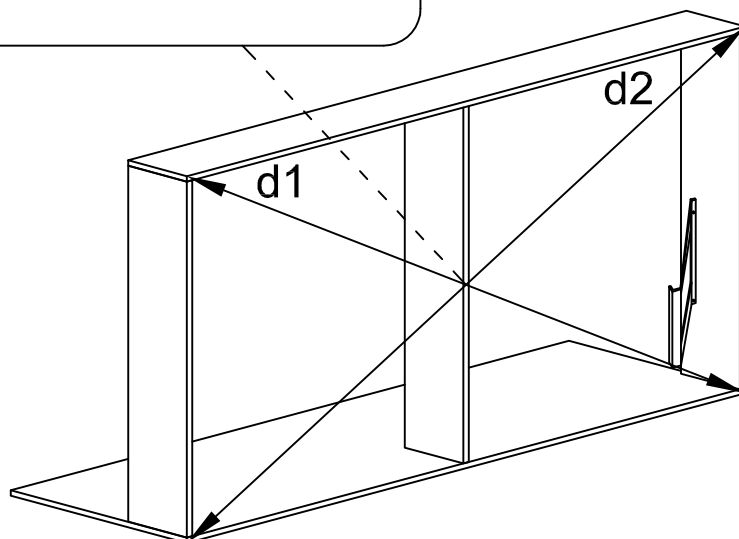
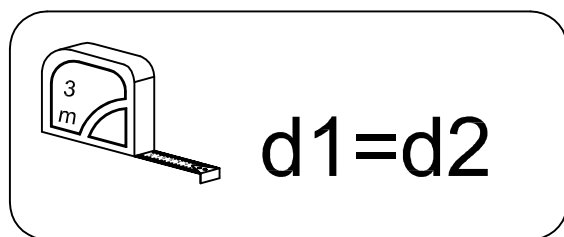
# 1.2



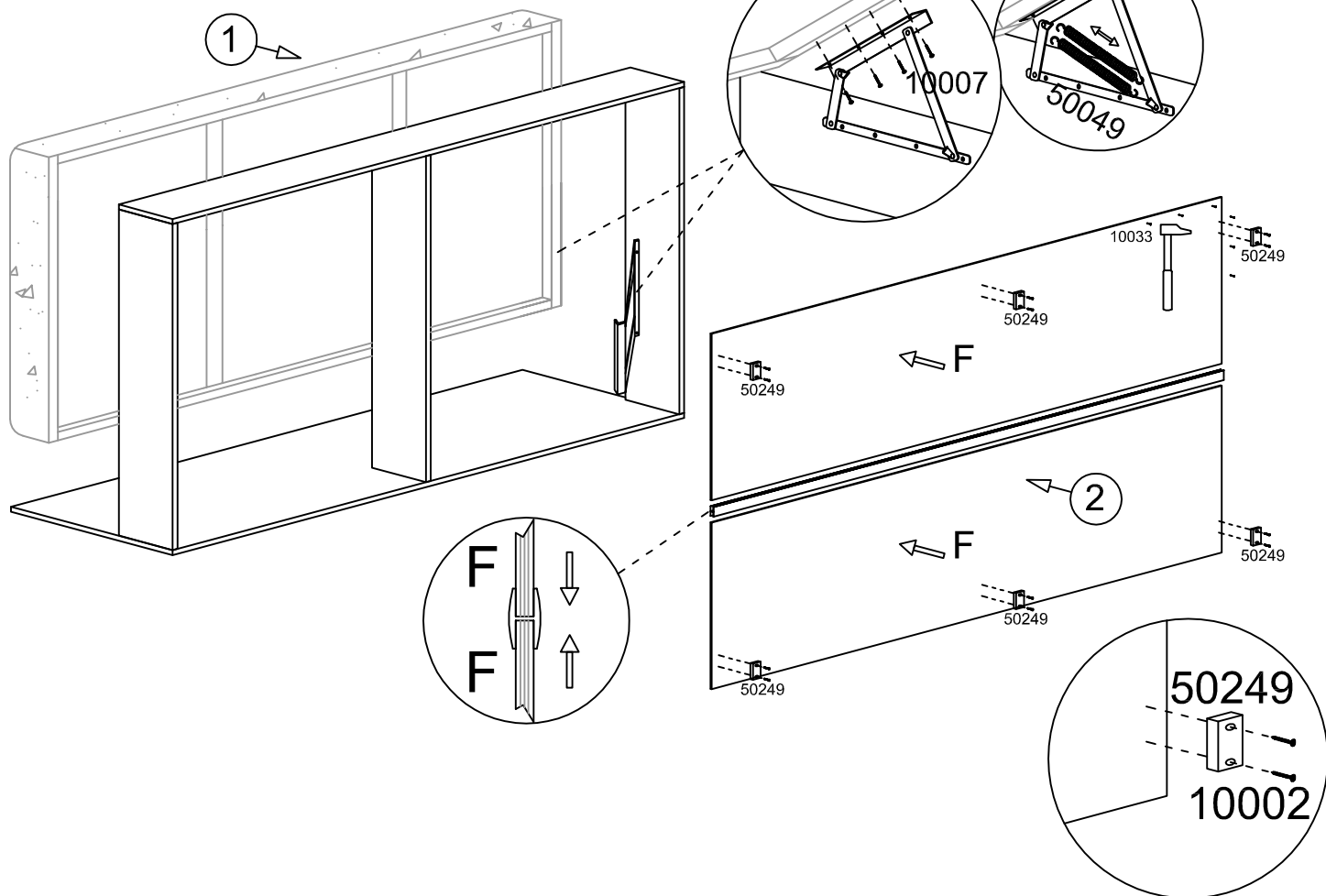
# 1.3



# 1.4

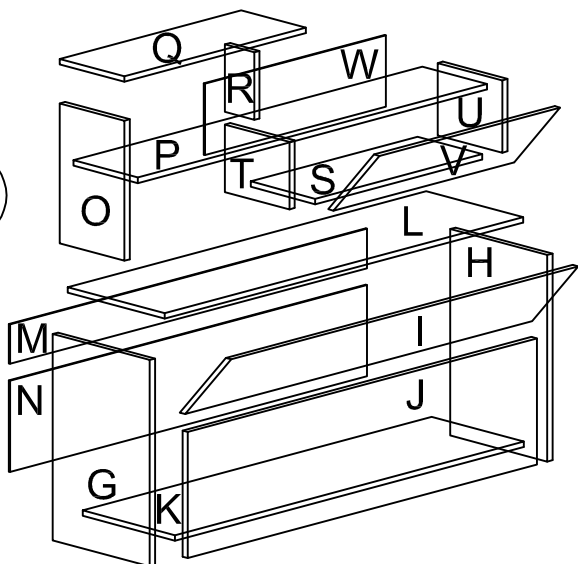


# 1.5

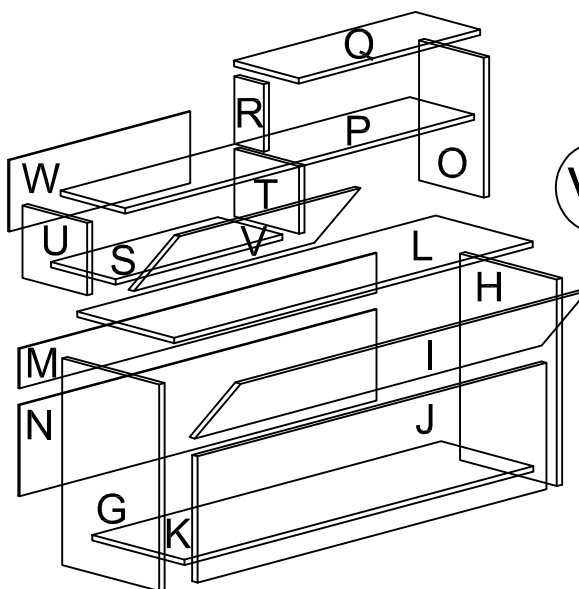


# 2

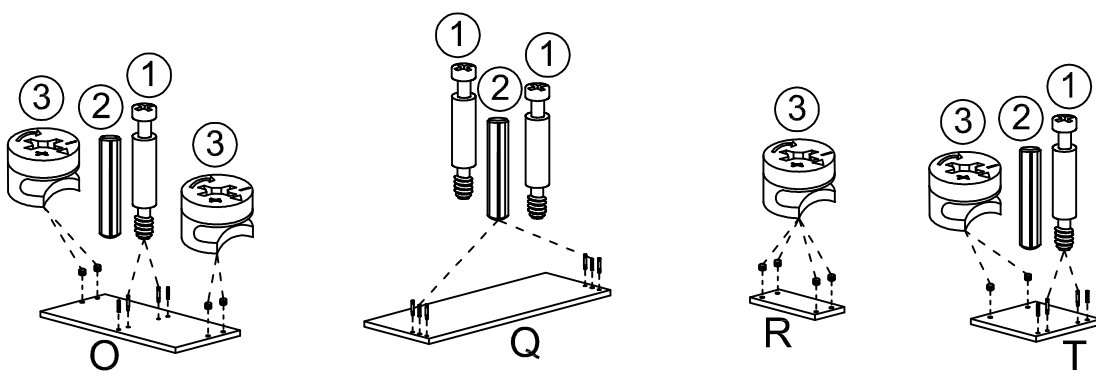
V1

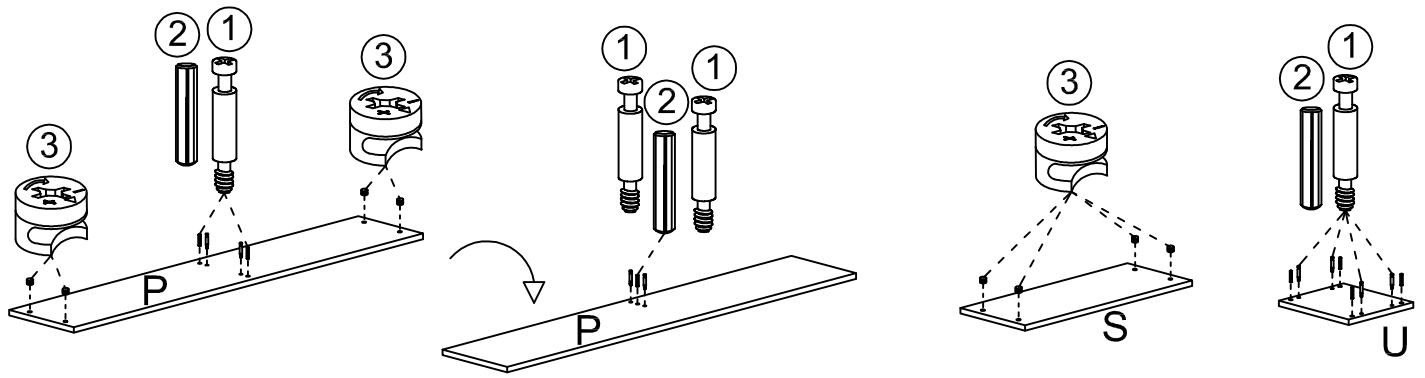


V2

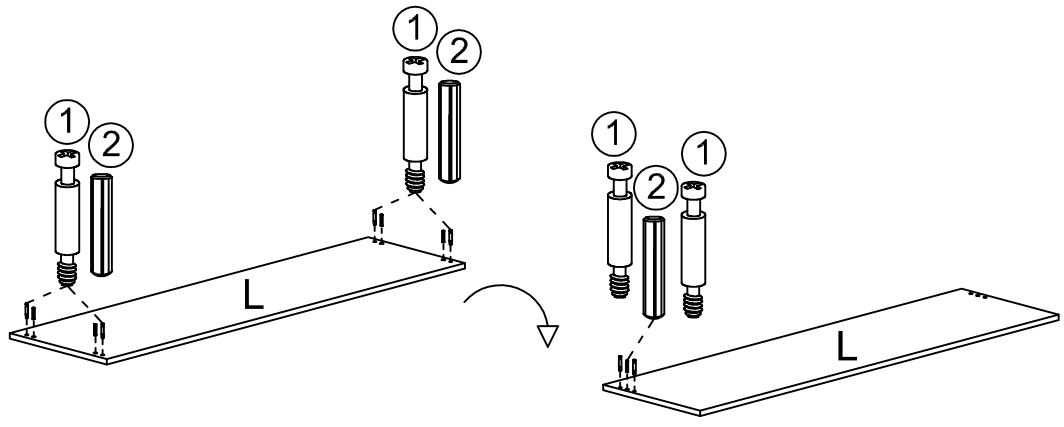


# 2.1

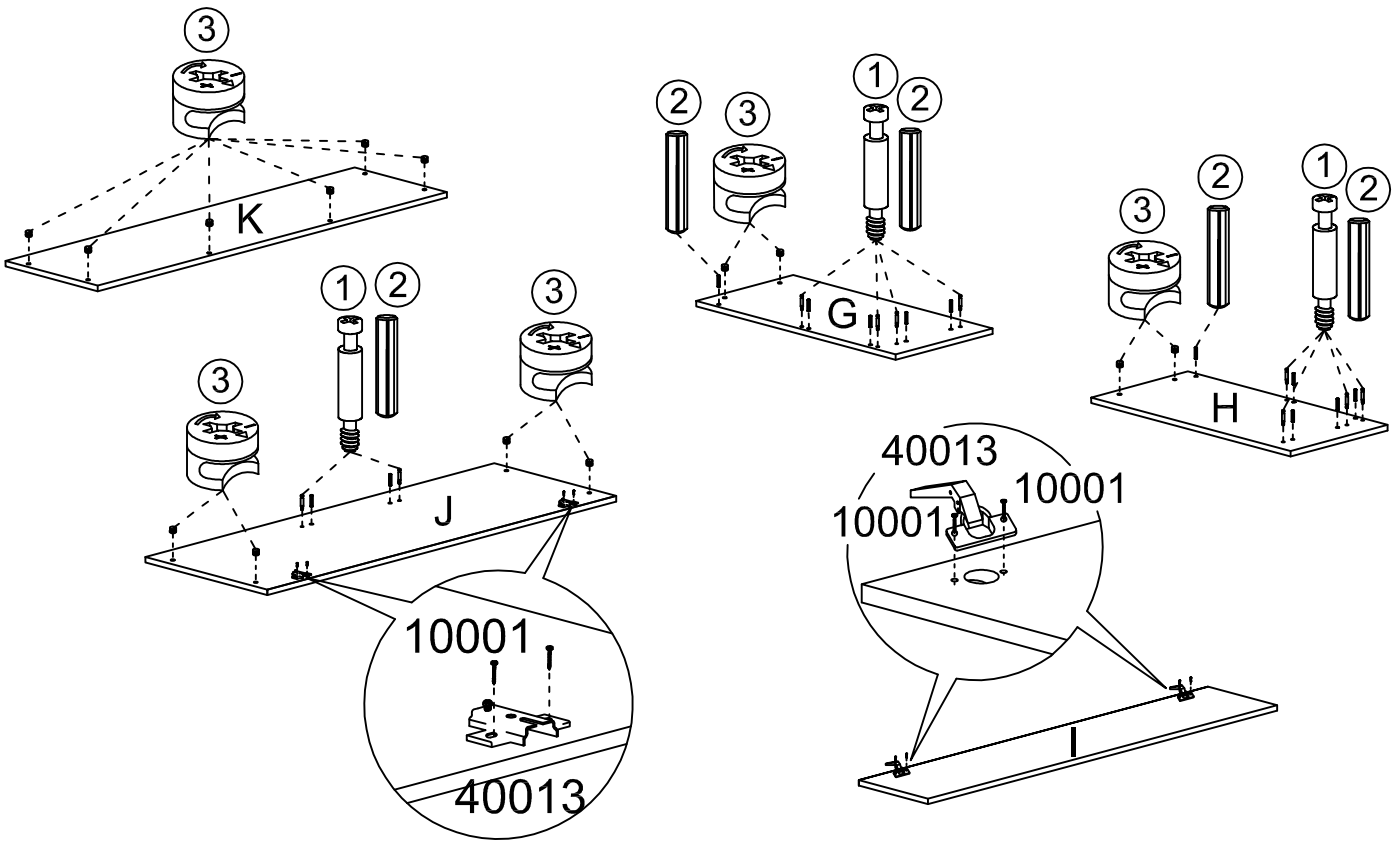
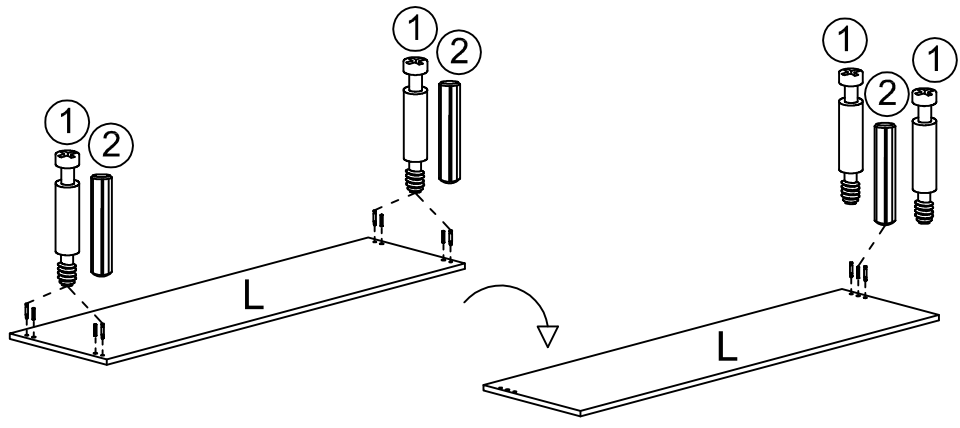




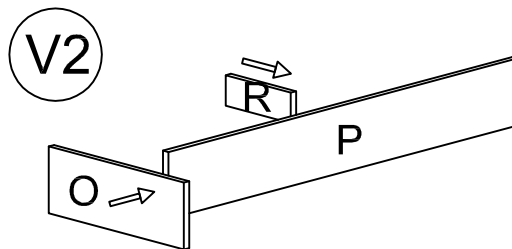
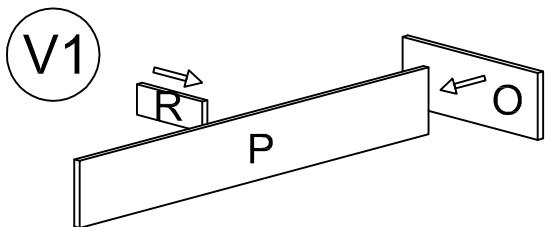
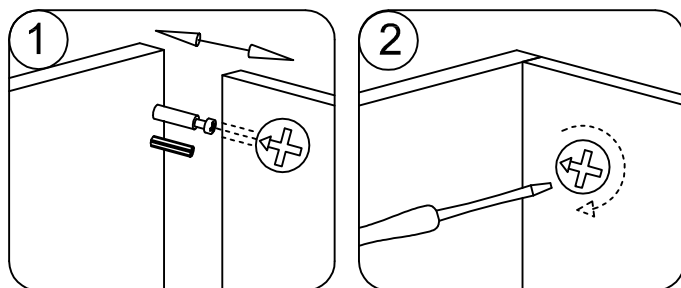
V1



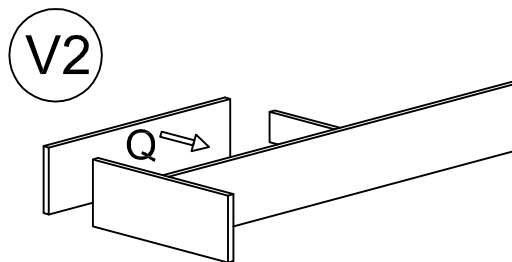
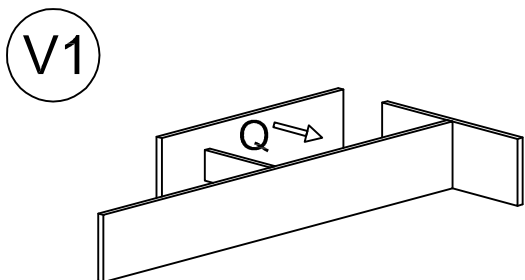
V2



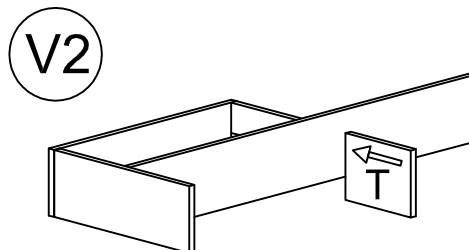
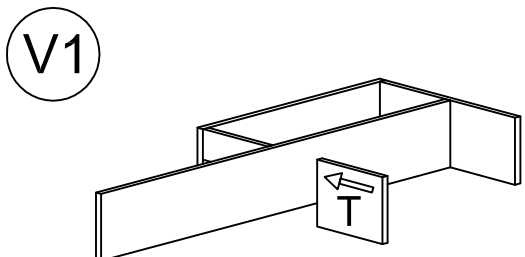
## 2.2



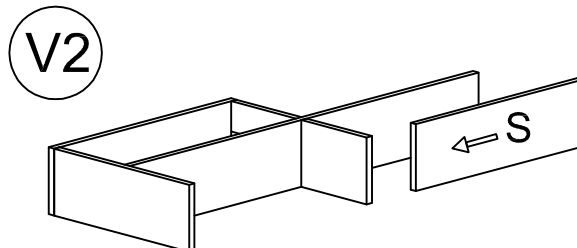
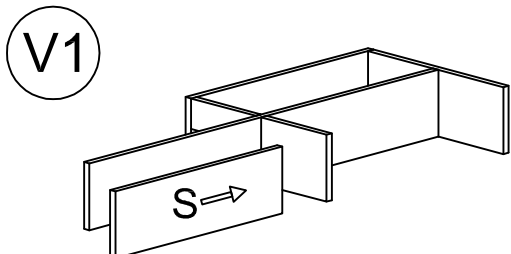
## 2.3



## 2.4



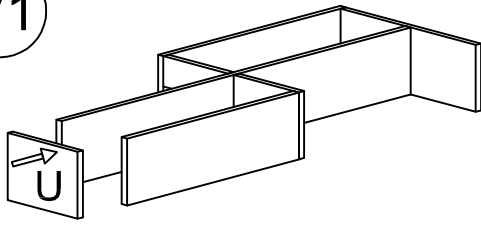
## 2.5



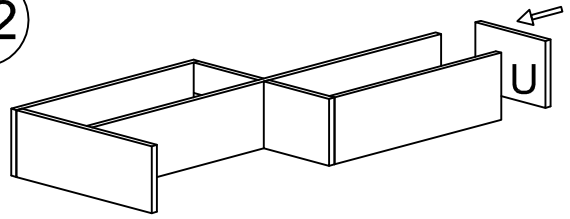


# 2.6

V1

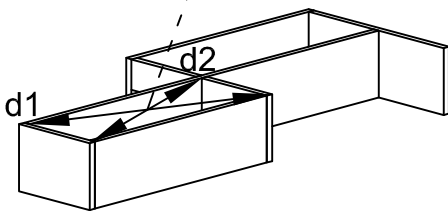
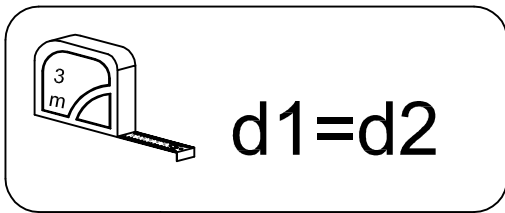


V2

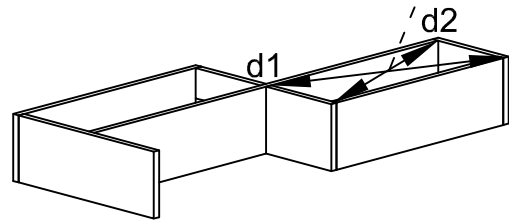
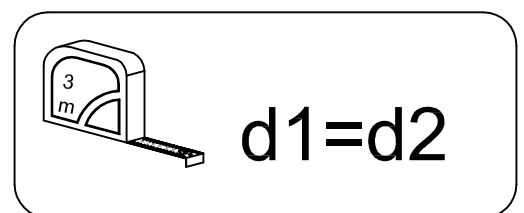


# 2.7

V1

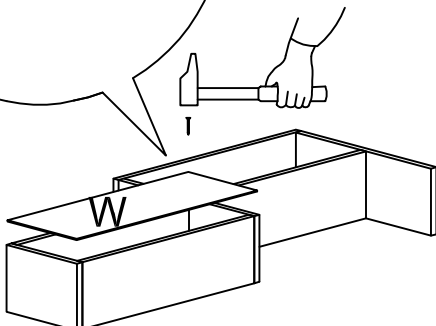
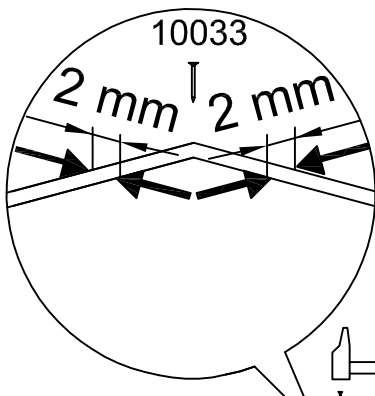


V2

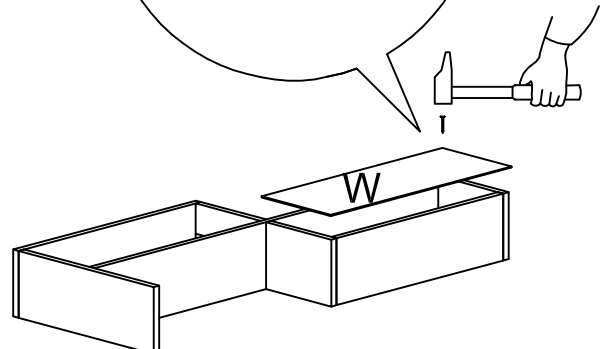
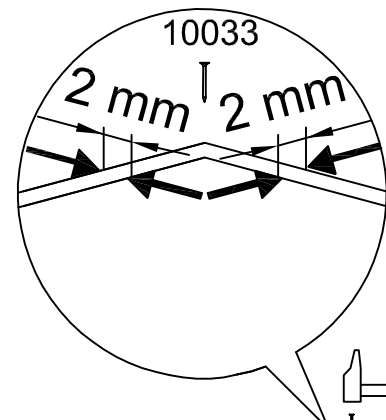


# 2.8

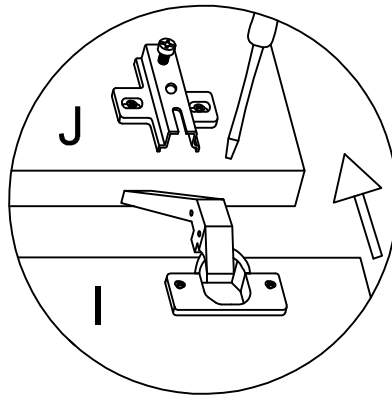
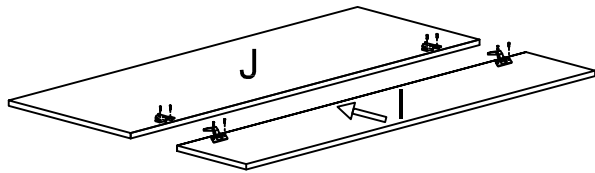
V1



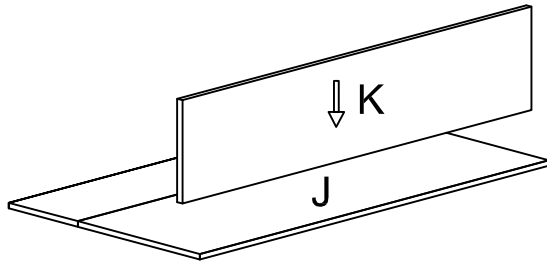
V2



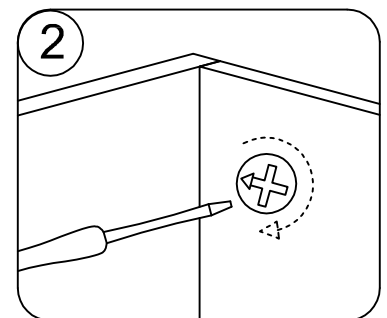
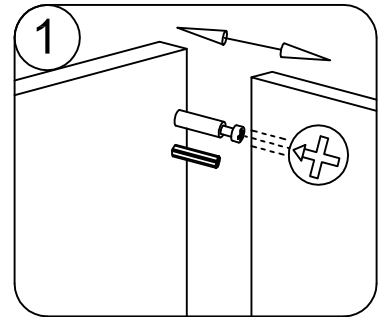
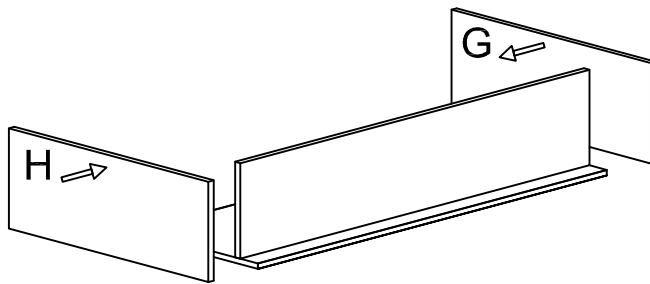
2.9



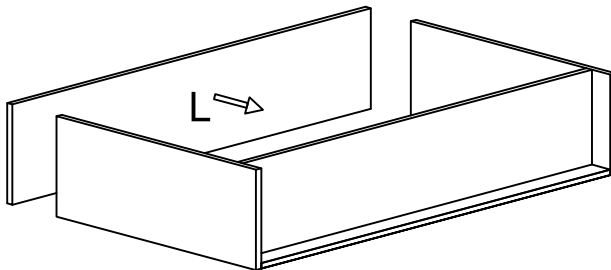
2.10



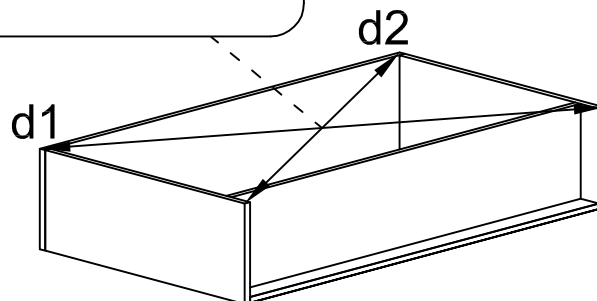
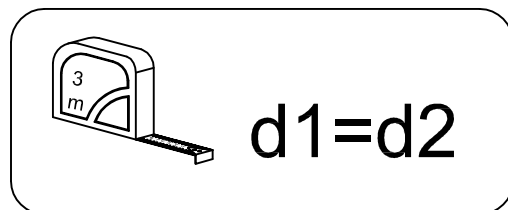
2.11



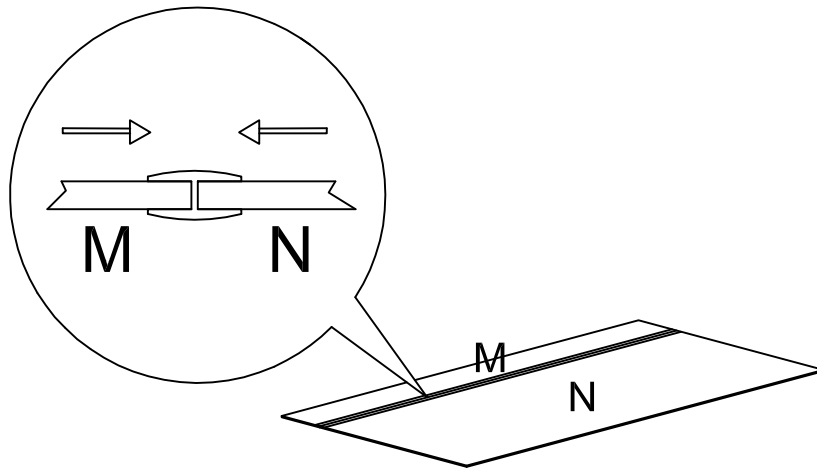
2.12



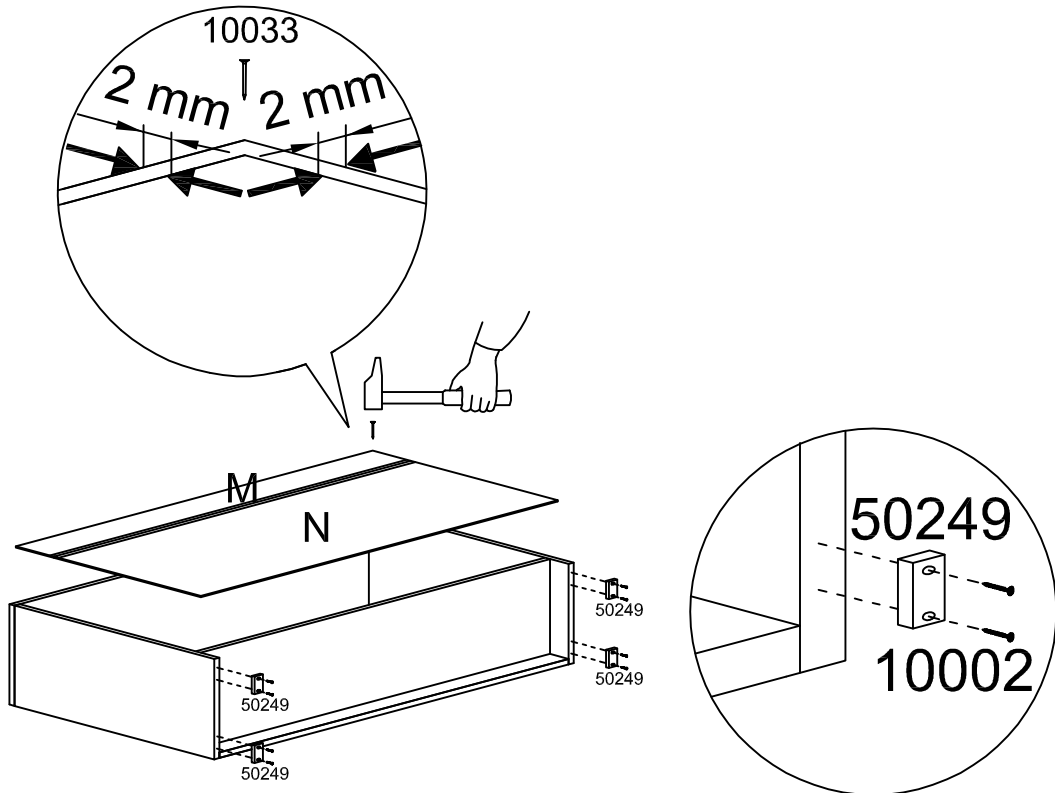
2.13



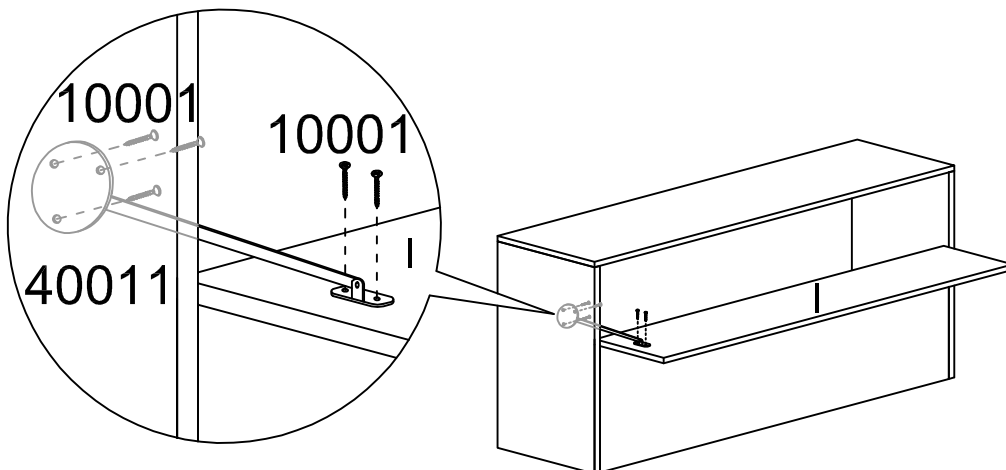
# 2.14



# 2.15

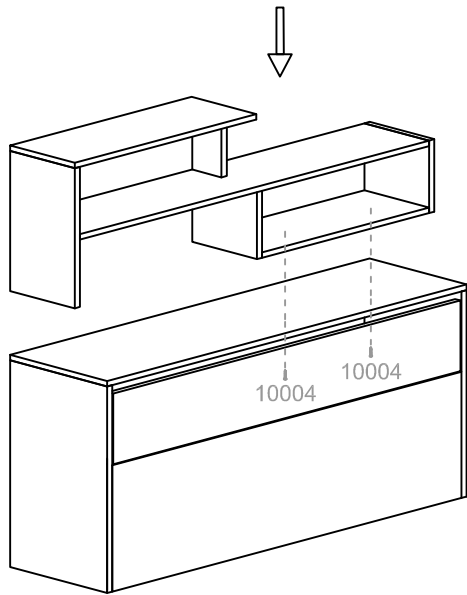


# 2.16

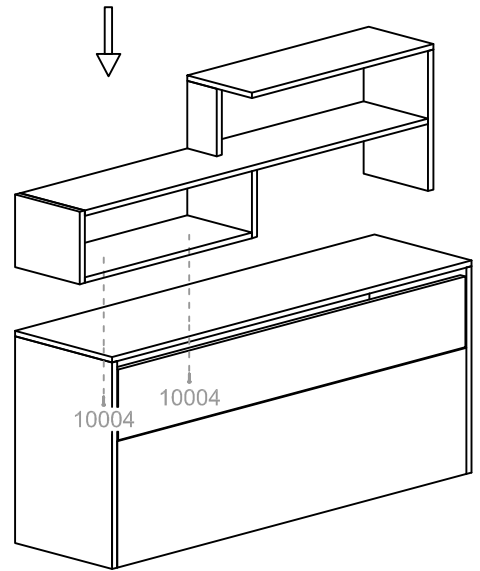


# 2.17

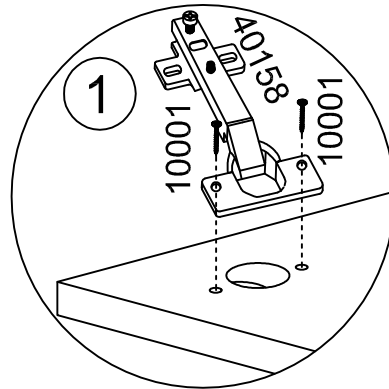
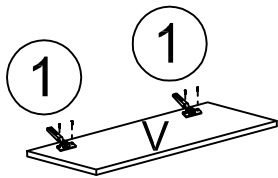
V1



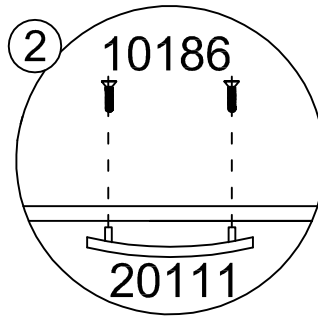
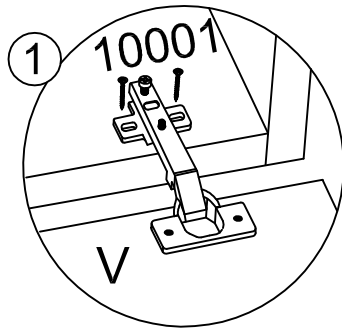
V2



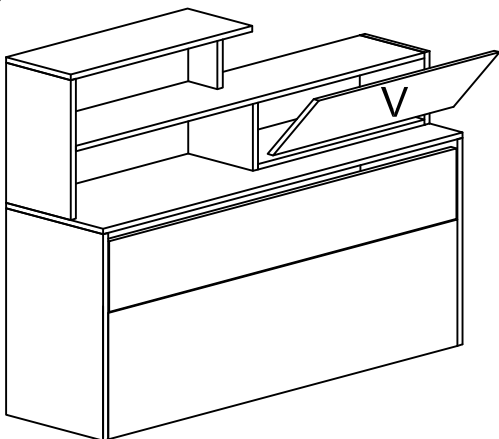
# 2.18



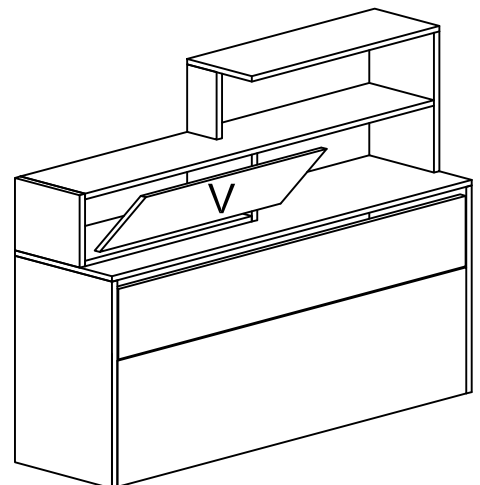
# 2.19



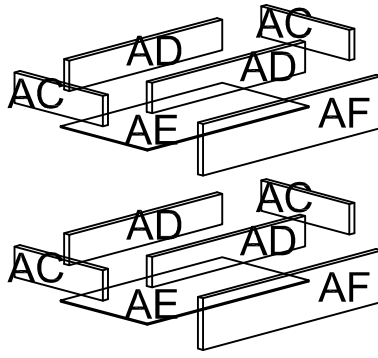
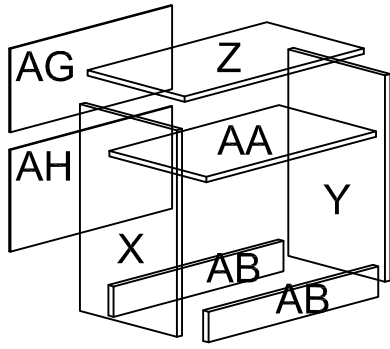
V1



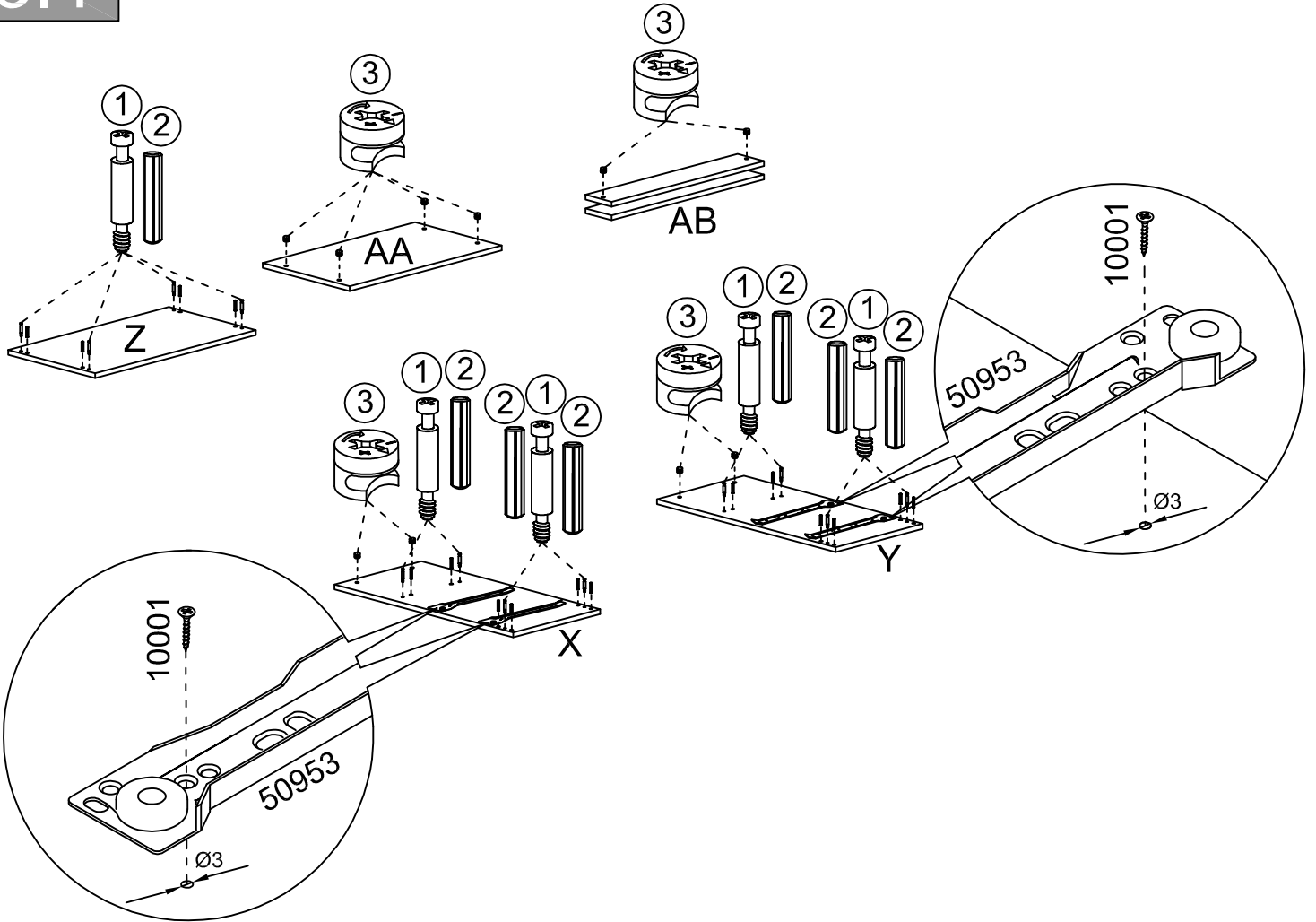
V2



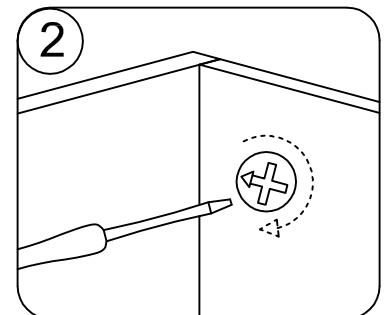
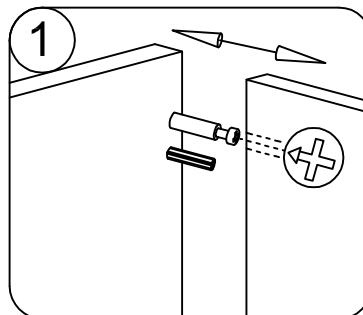
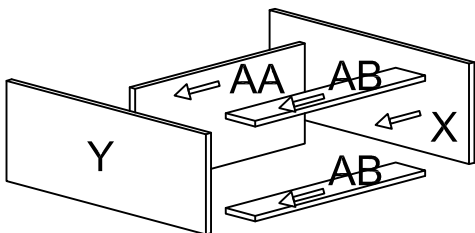
# 3



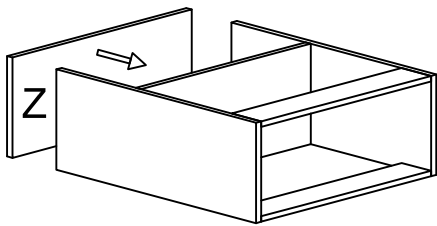
## 3.1



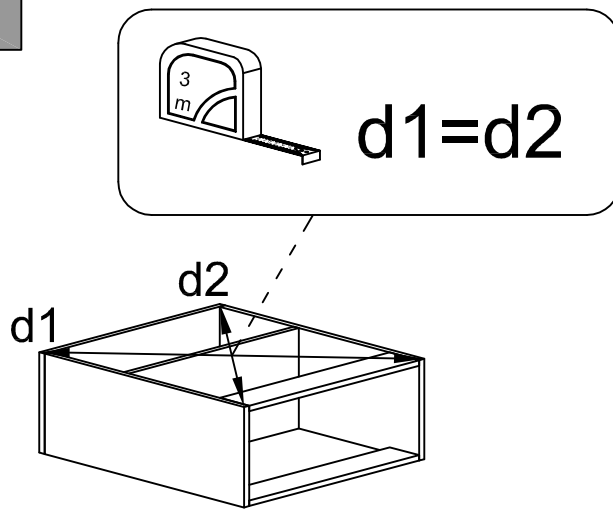
## 3.2



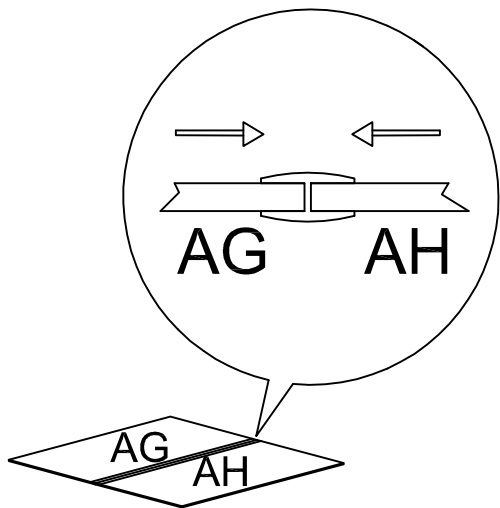
3.3



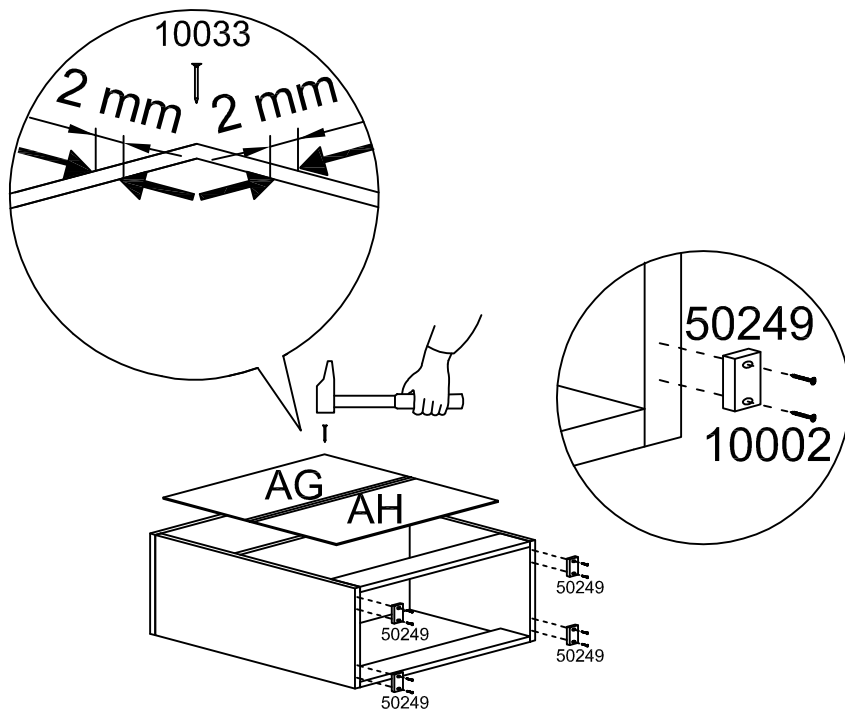
3.4



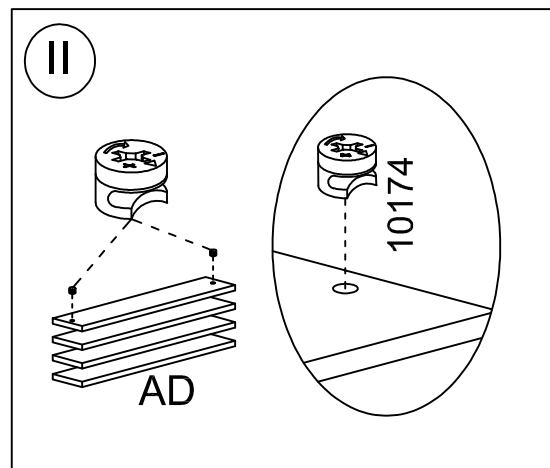
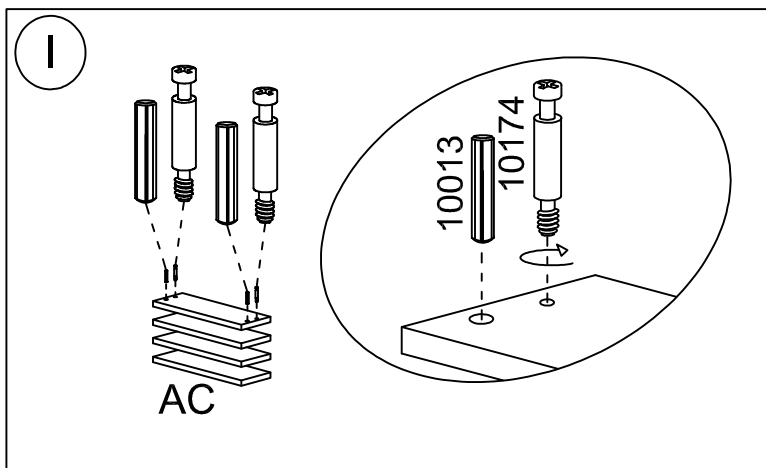
3.5

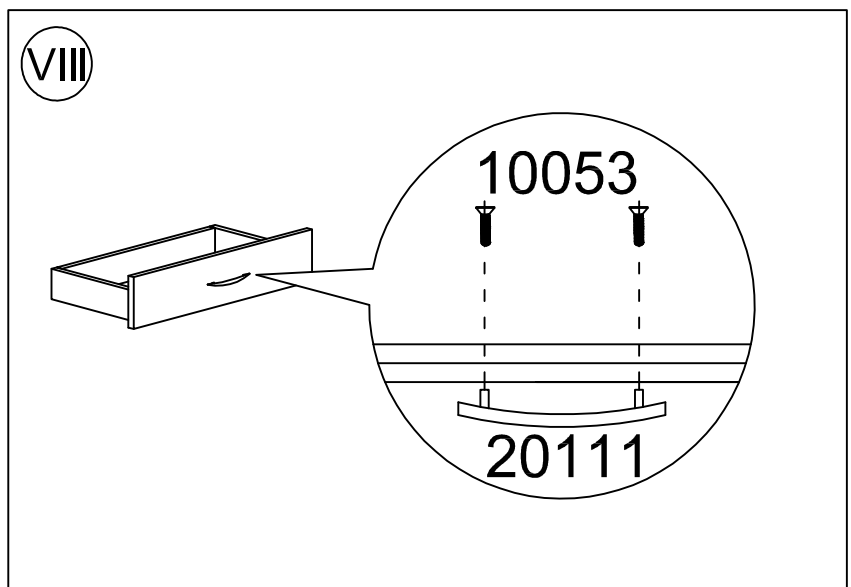
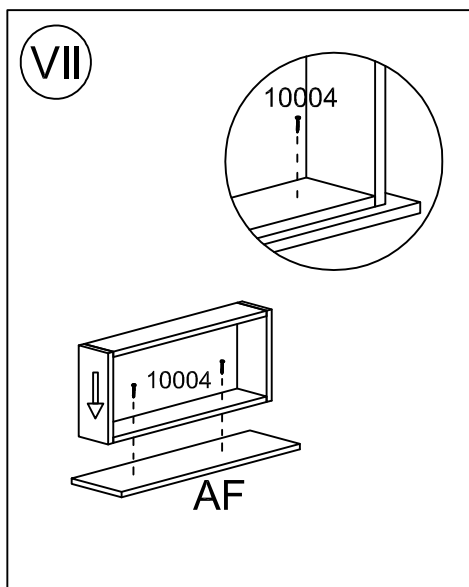
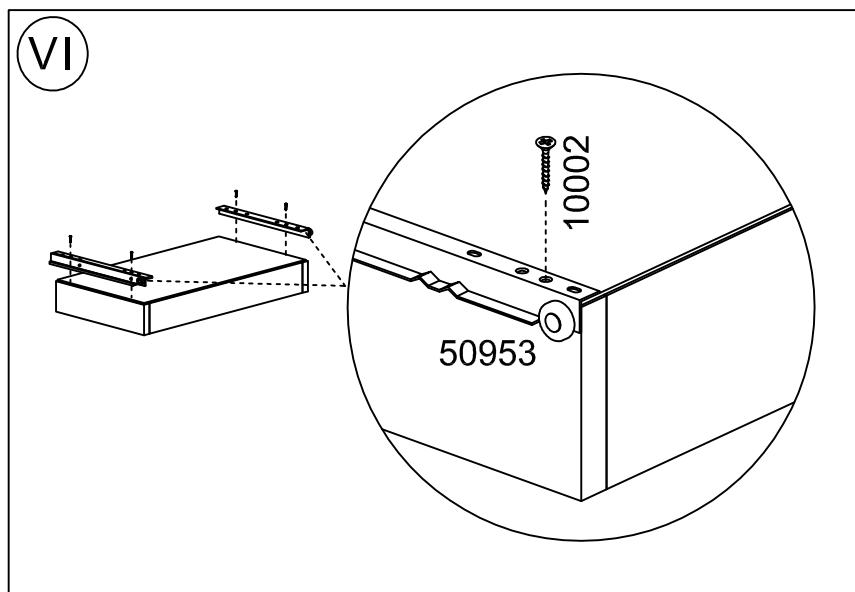
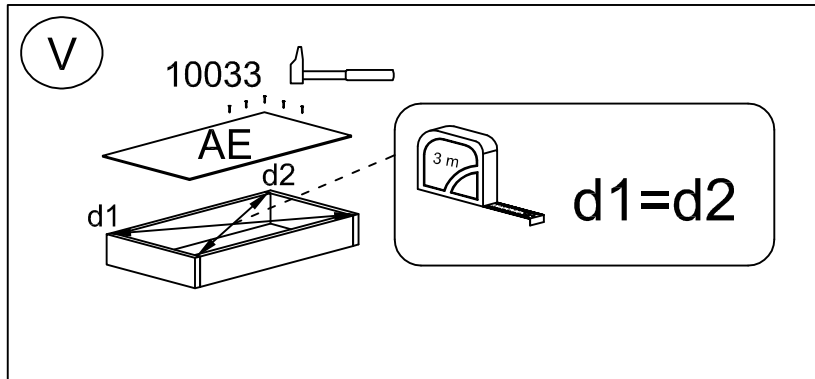
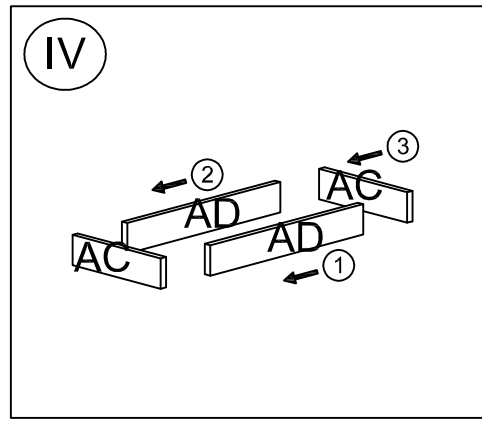
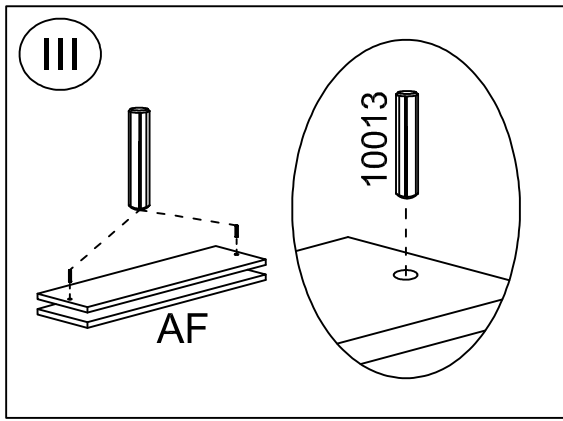


3.6

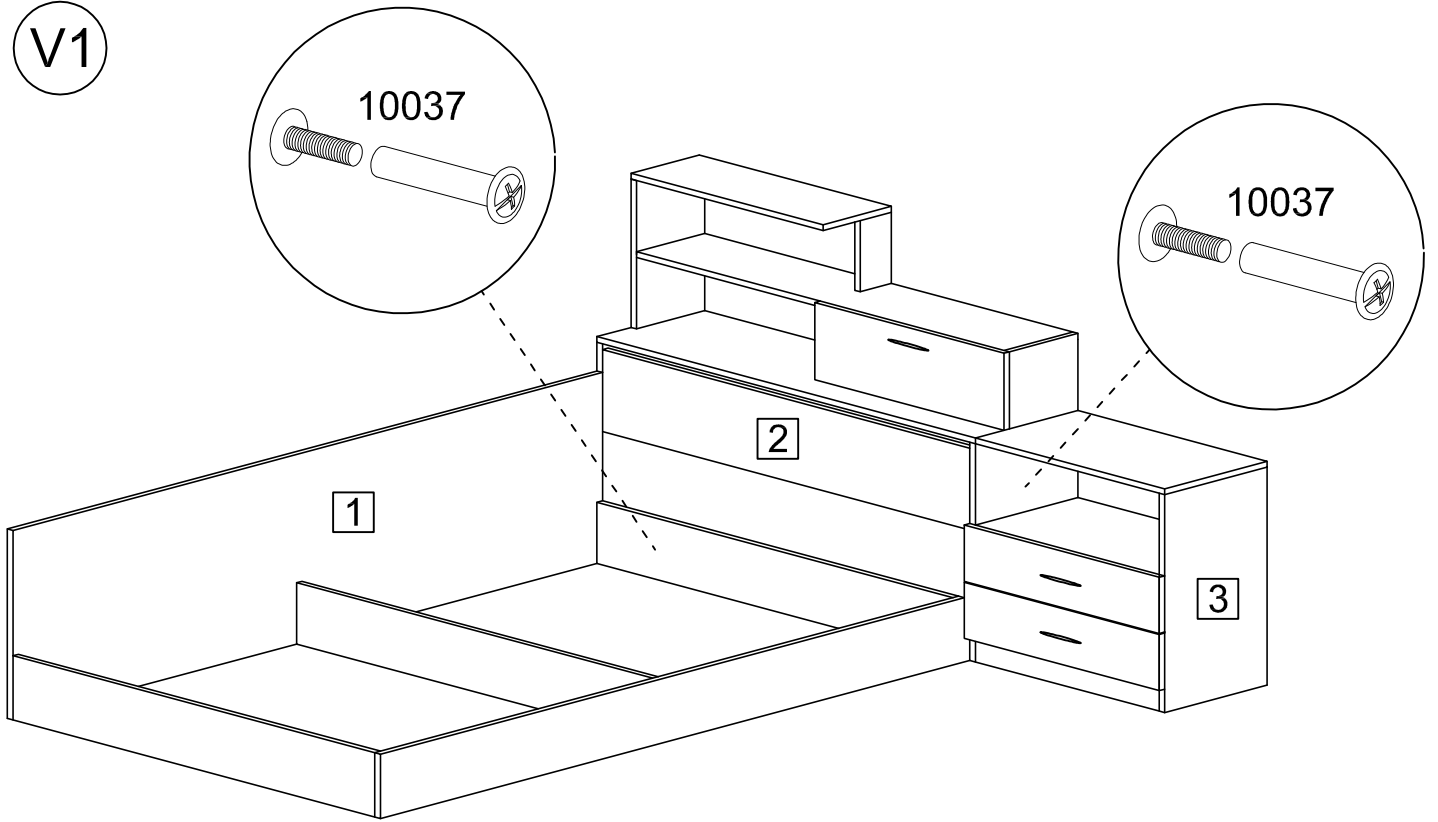


3.7





V1



V2

