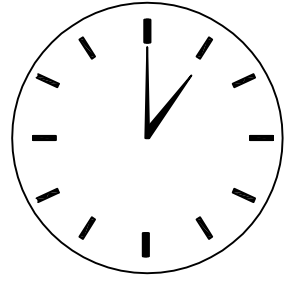
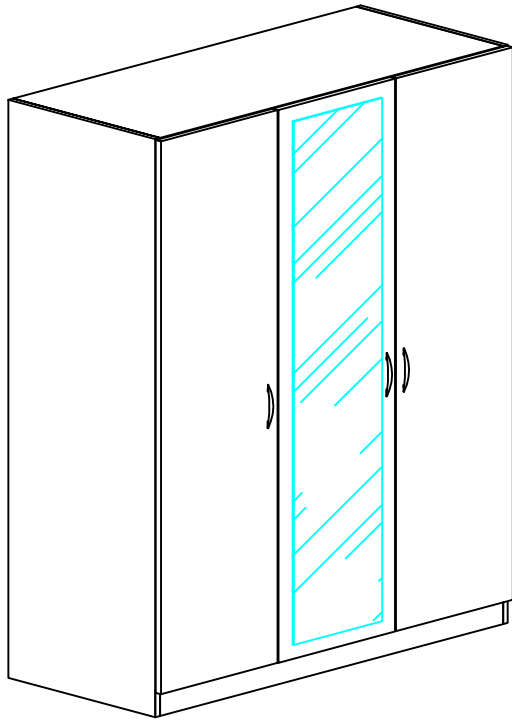
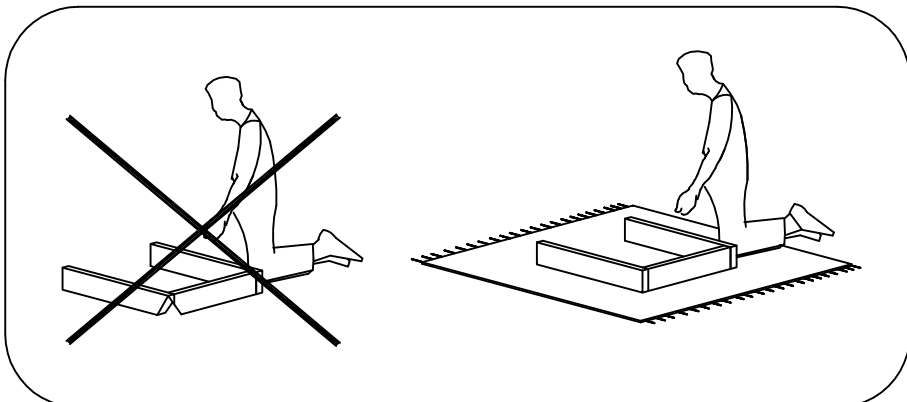
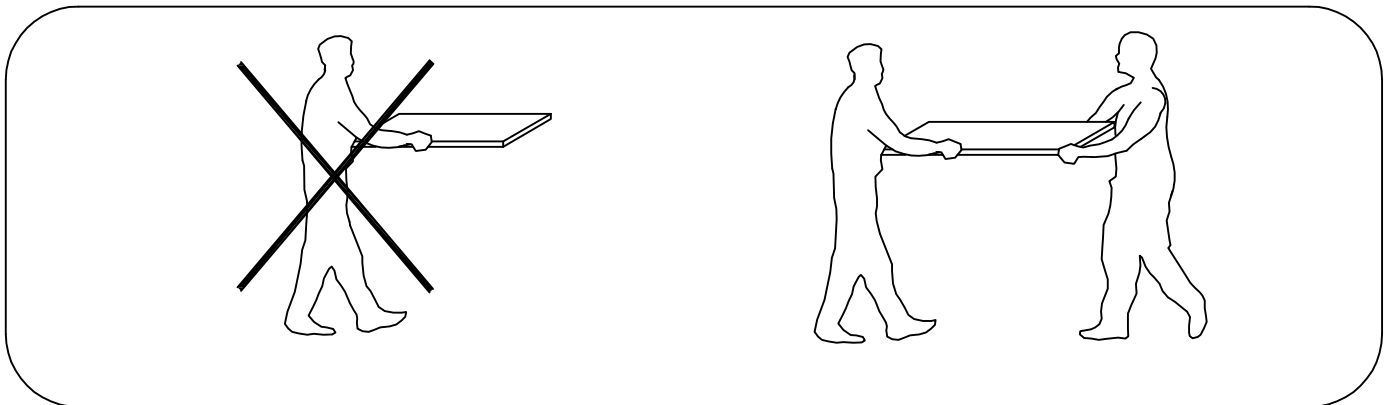
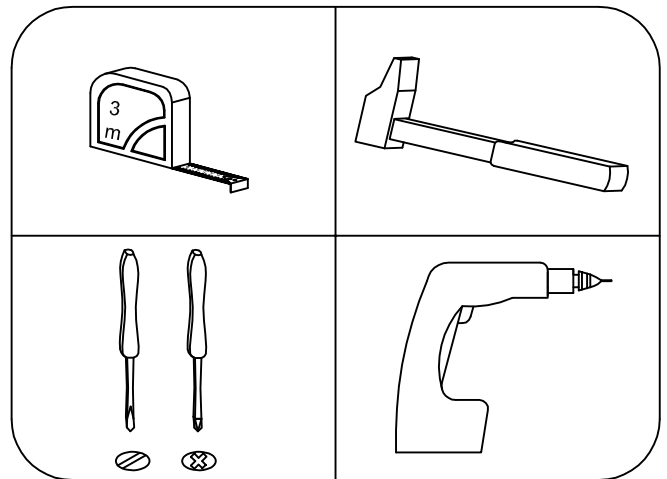
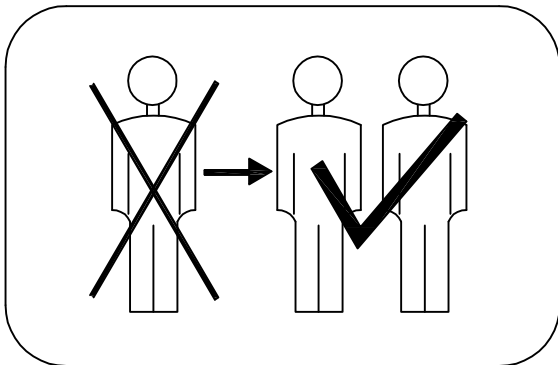


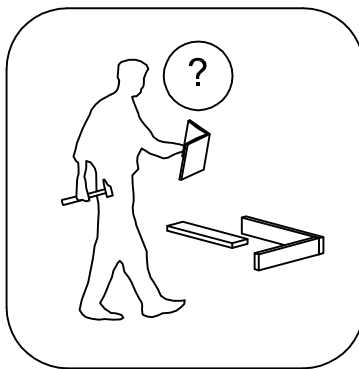
# City 1003

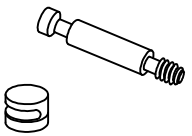
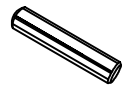
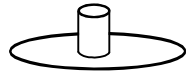
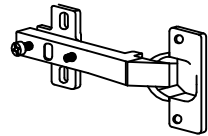
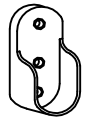
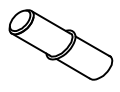
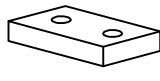
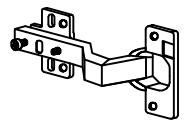



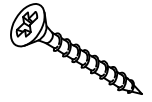
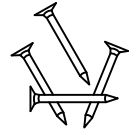


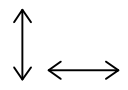
2 h.

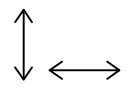


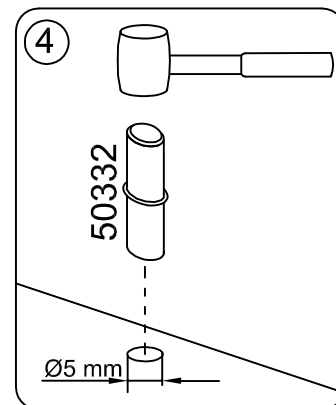
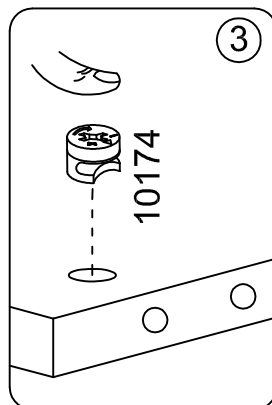
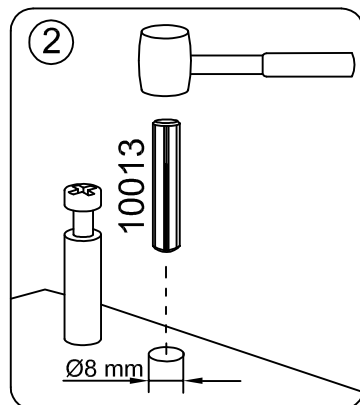
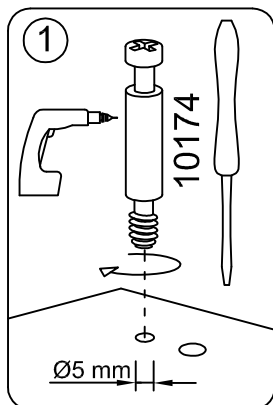
<http://www.irimbg.com/instructions/>



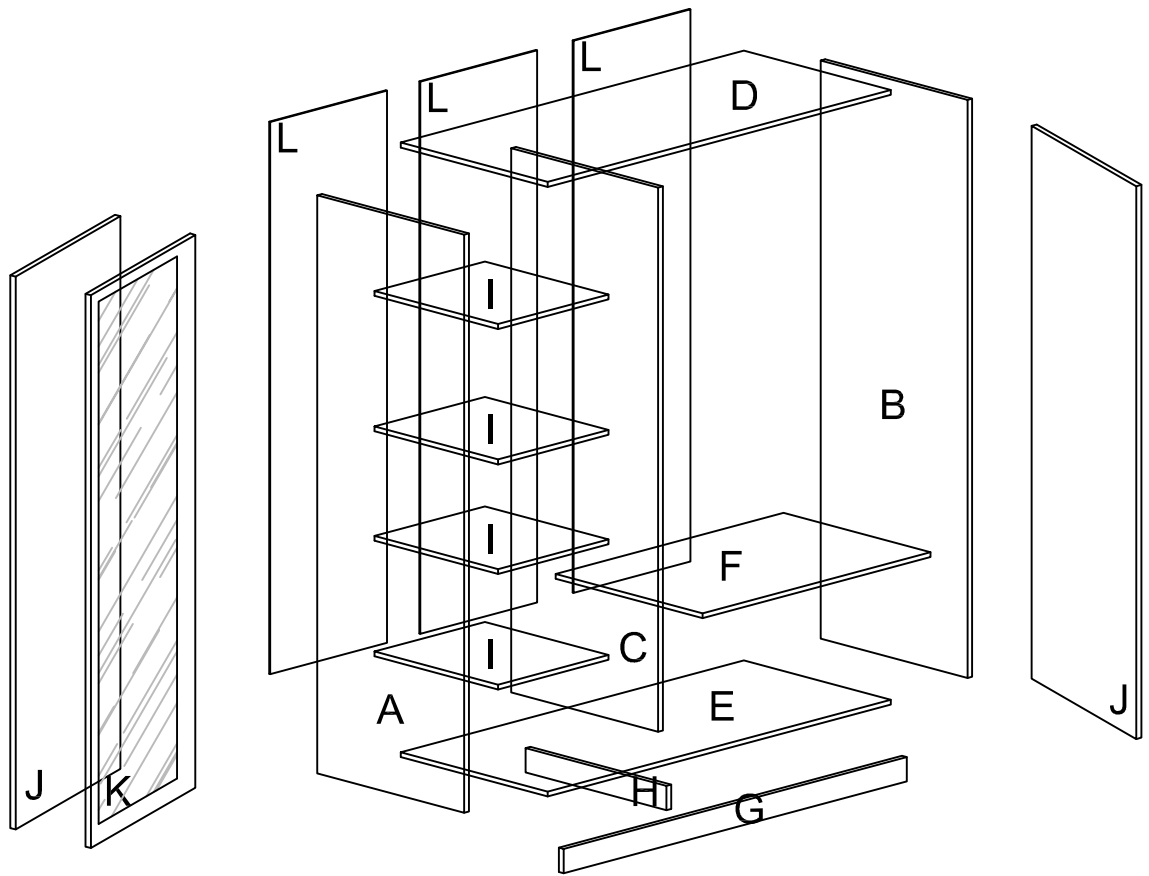
17x  10174	24x  10013	17x  50317	6x  40158
2x  50011	16x  50332	6x  50246	3x  40160
3x  20061	6x  10186	43x  10001	12x  10002
			 10033

		Box number
A	1900x500	1/4
B	1900x500	1/4
C	1788x500	2/4
D	1168x500	3/4
E	1168x500	3/4
F	776x500	3/4

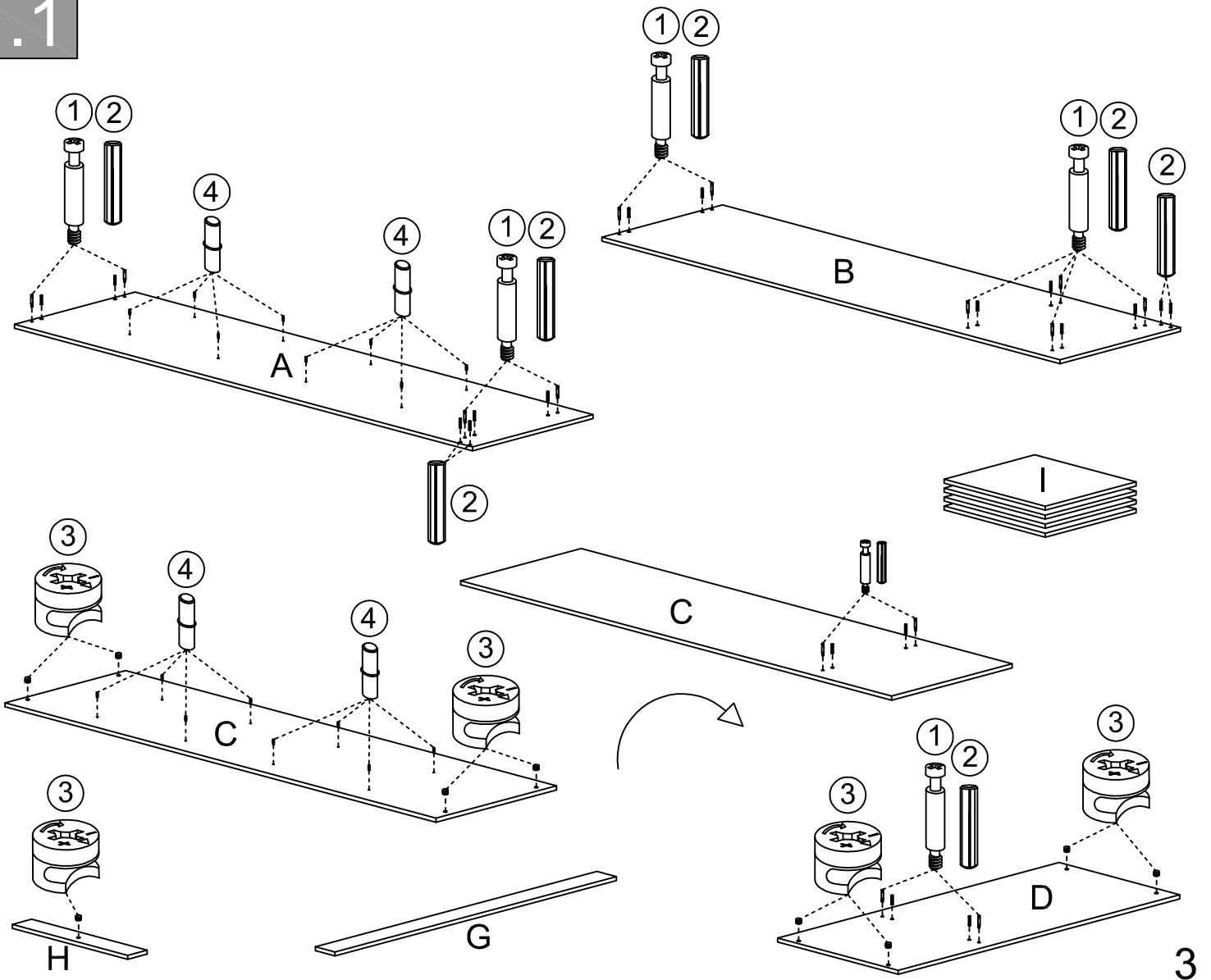
		Box number
G	80x1168	3/4
H	80x479	2/4
I	4x 376x420	3/4
J	2x 1817x397	4/4
K	1817x397	4/4
L	3x 1815x398	2/4

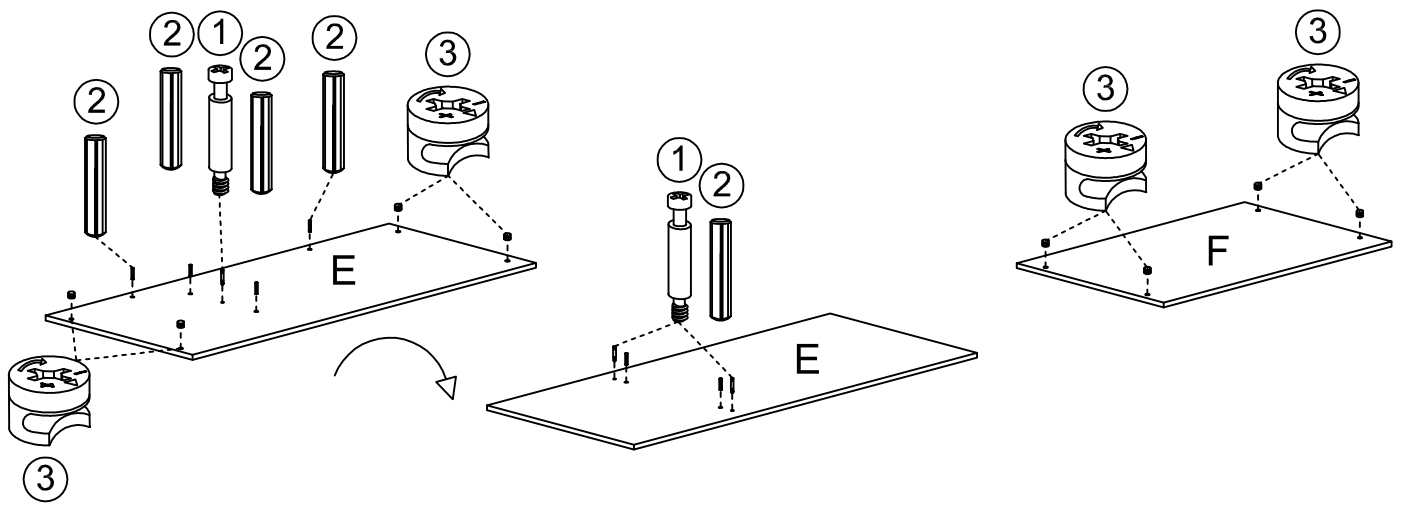


1

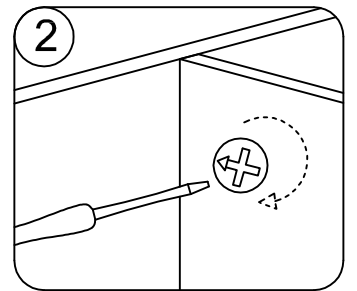
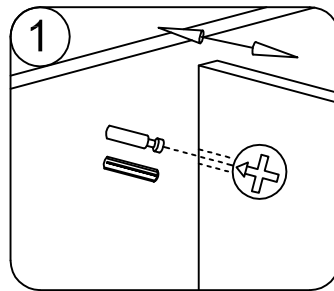
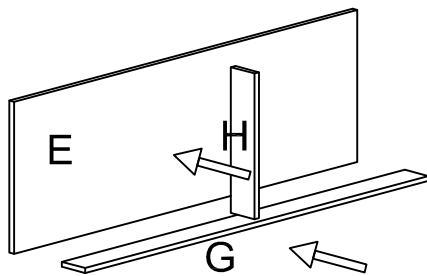


1.1

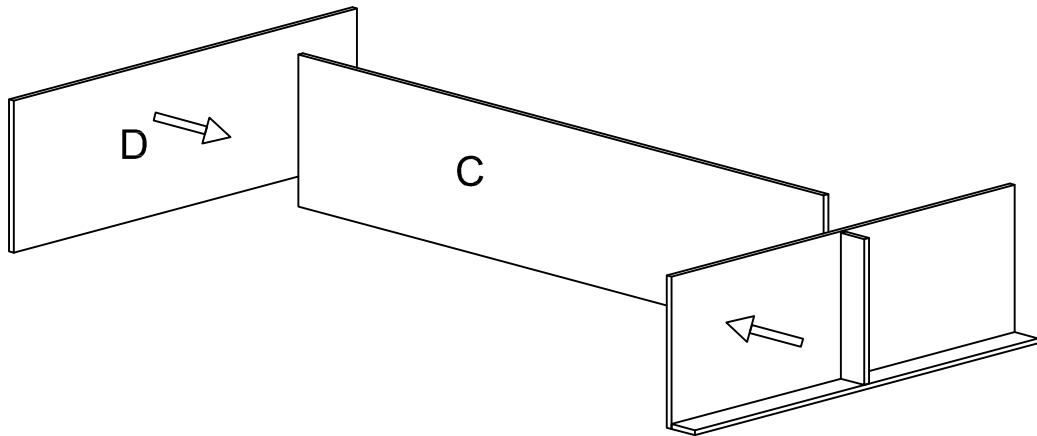




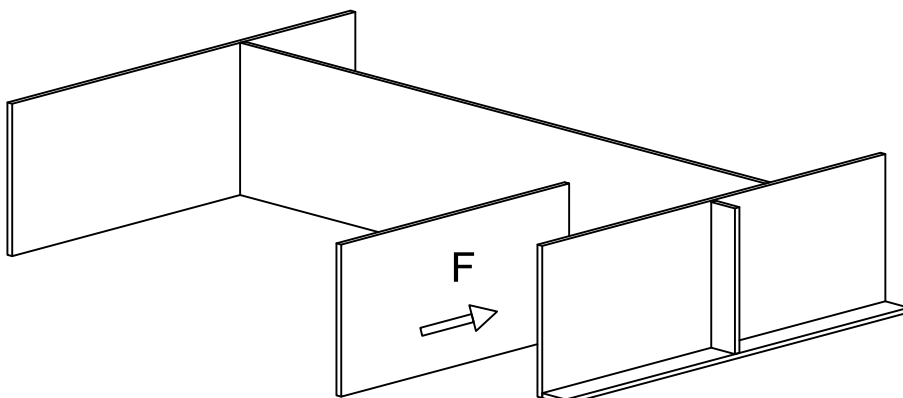
## 1.2



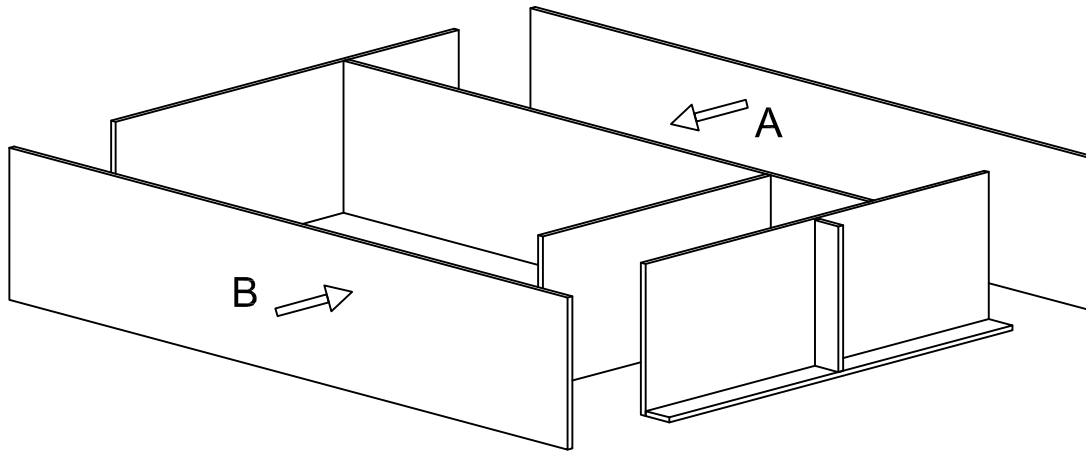
## 1.3



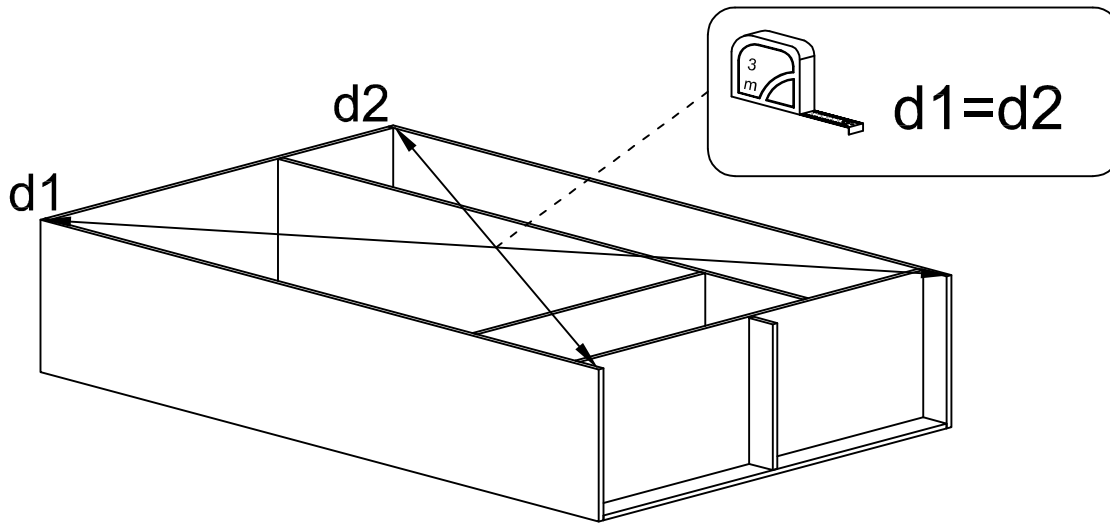
## 1.4



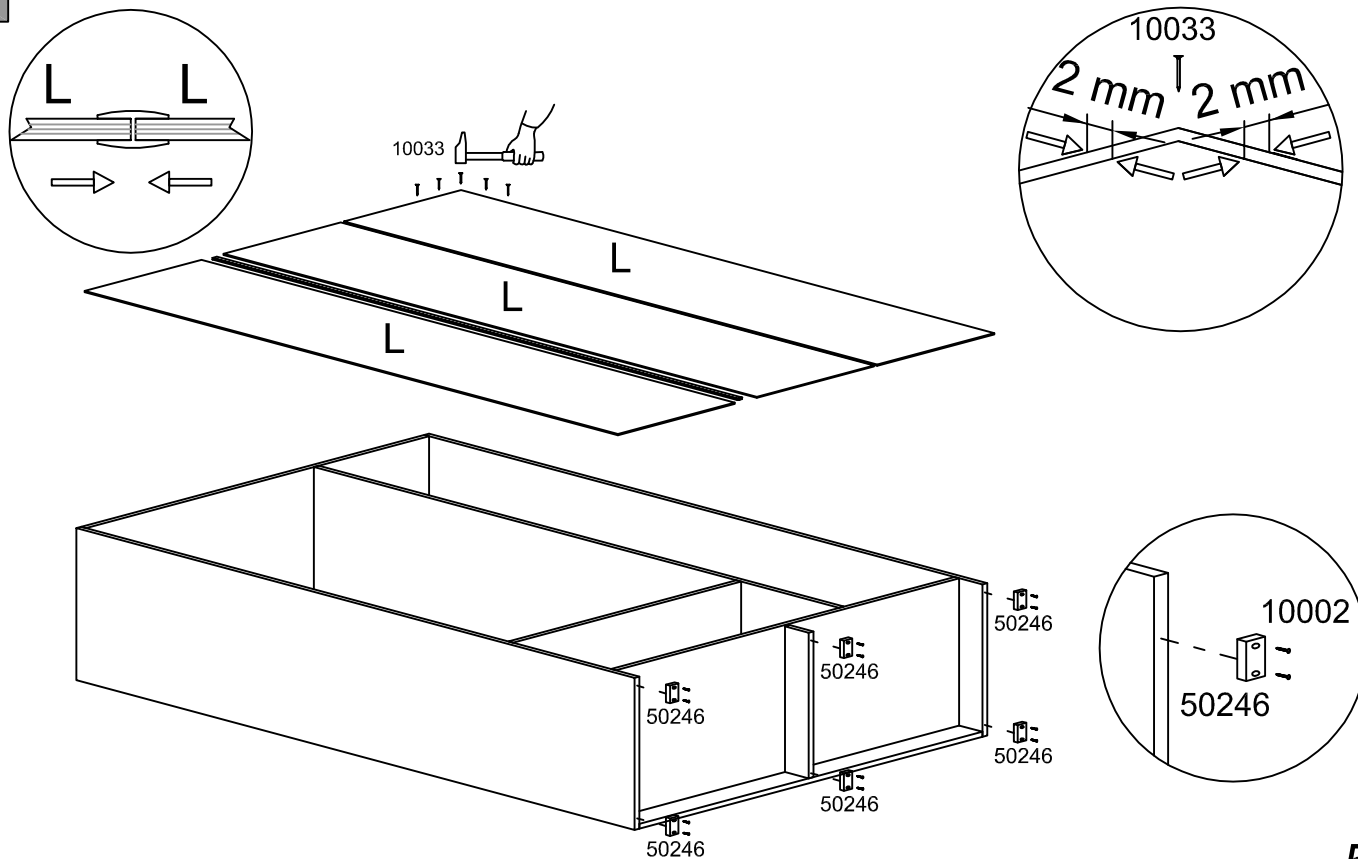
1.5



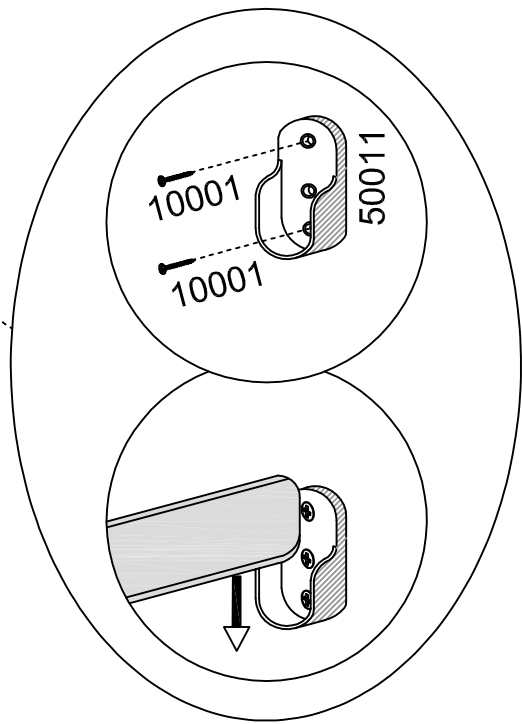
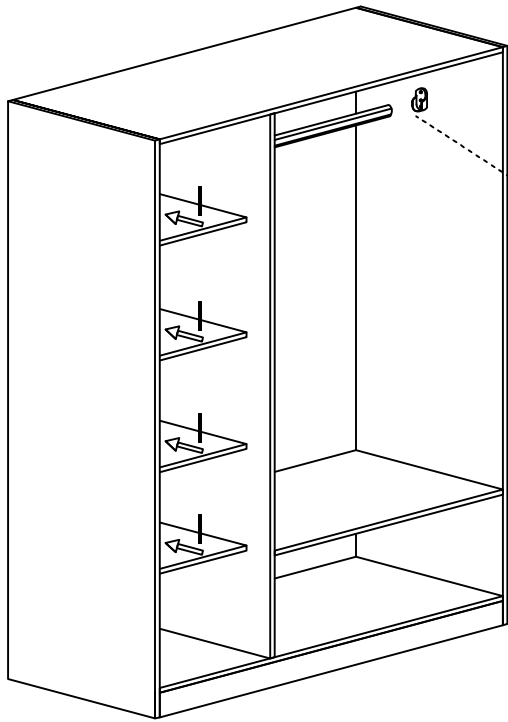
1.6



1.7



# 1.8



# 1.9

