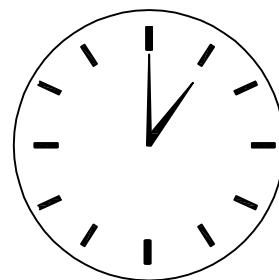
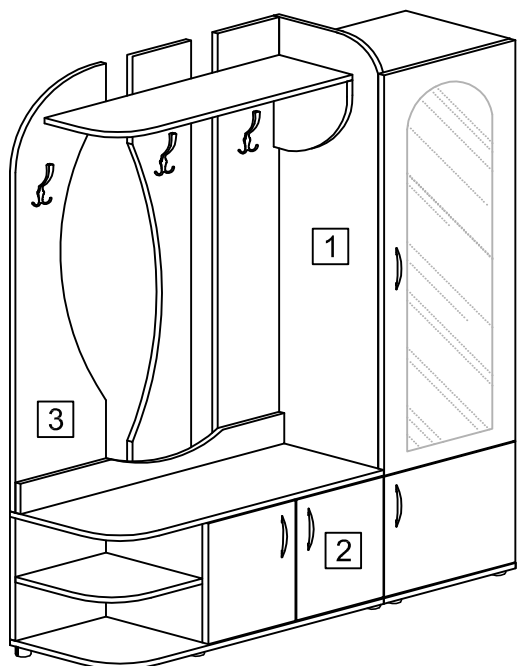
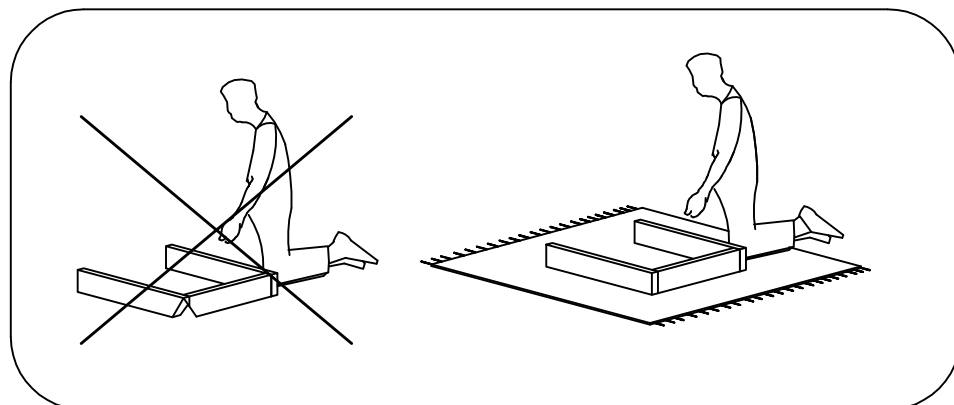
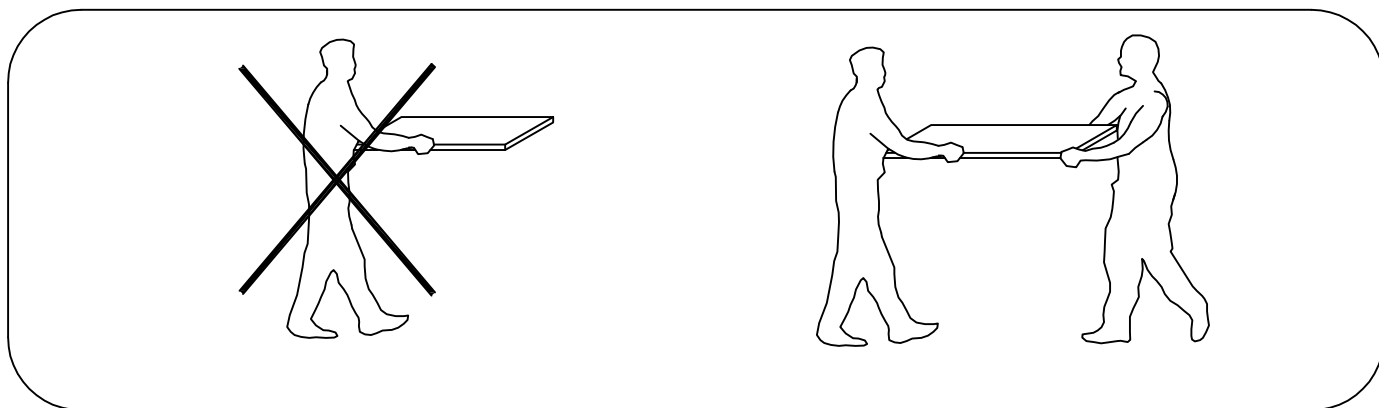
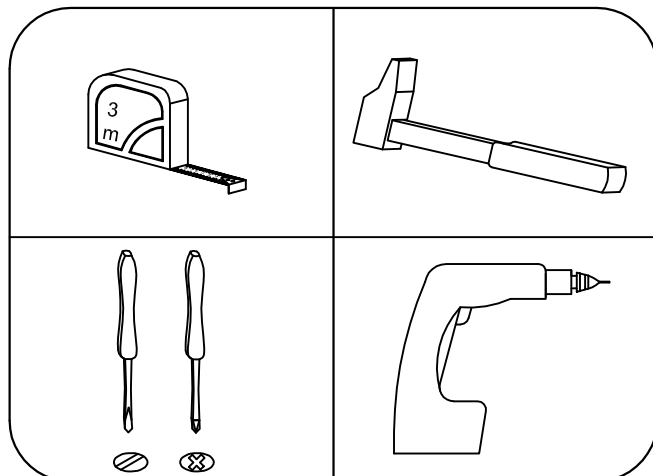
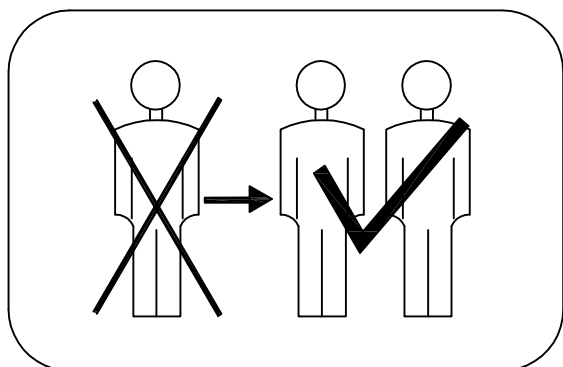


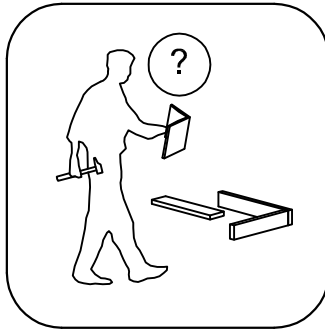
City 4037

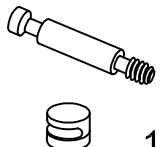
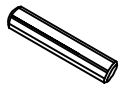

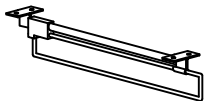
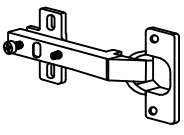
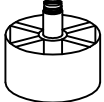

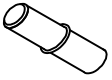
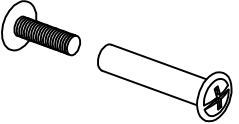
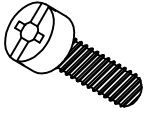
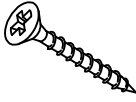

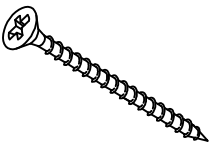




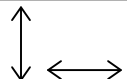
120 min.

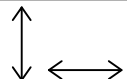


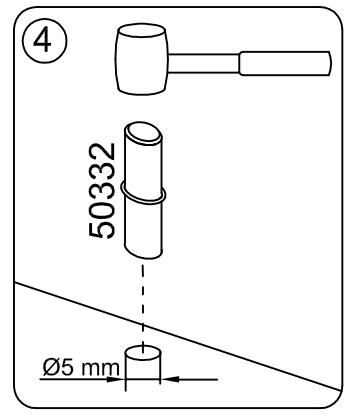
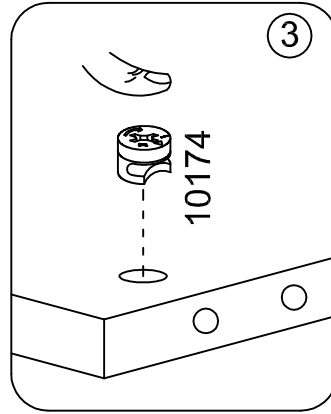
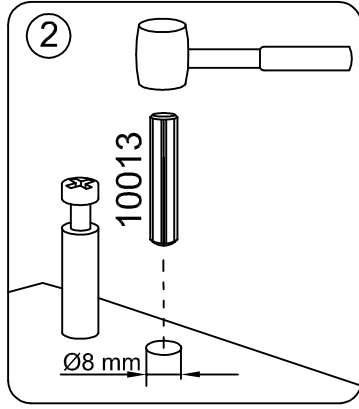
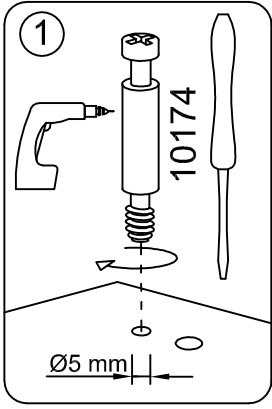
<http://www.irimbg.com/instructions/>



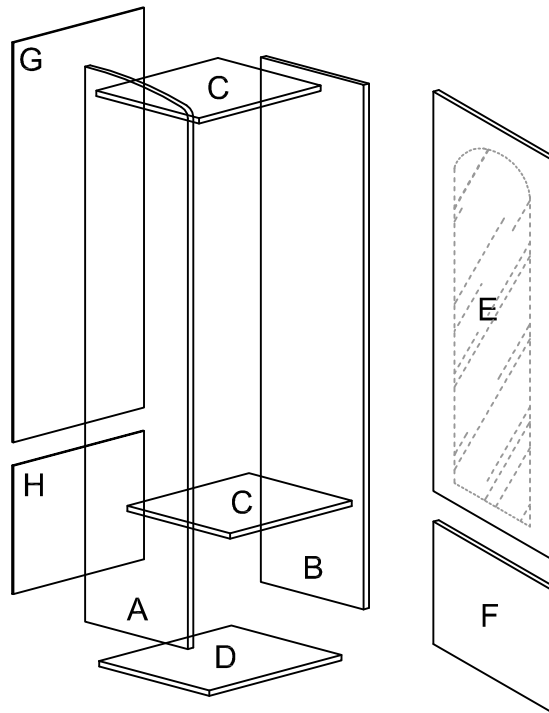
36x  10174	44x  Φ 8/30 10013	36x  50317	1x  50007
9x  40158	9x  50087	4x  20111	6x  50332
4x  10037	8x  M 4/18 10186	6x  Φ 3,5/20 10002	42x  Φ 3,5/16 10001
6x  Φ 3,5/30 10004	3x  30023	 10033	

		Box number
A	1804x350	1/4
B	1724x350	1/4
C	2x 418x350	3/4
D	450x375	3/4
E	1313x447	2/4
F	402x447	2/4
G	1314x445	2/4
H	422x445	2/4
I	408x300	3/4
J	408x350	3/4
K	300x330	3/4
L	408x350	3/4

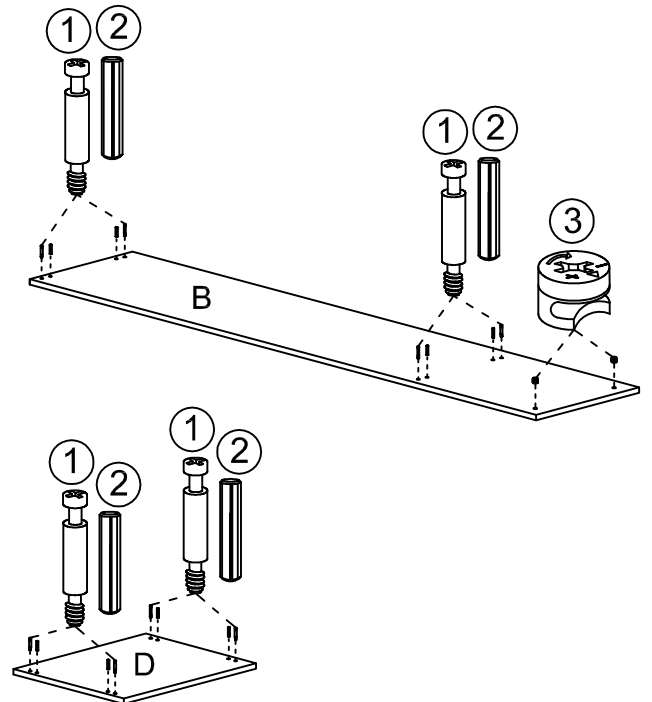
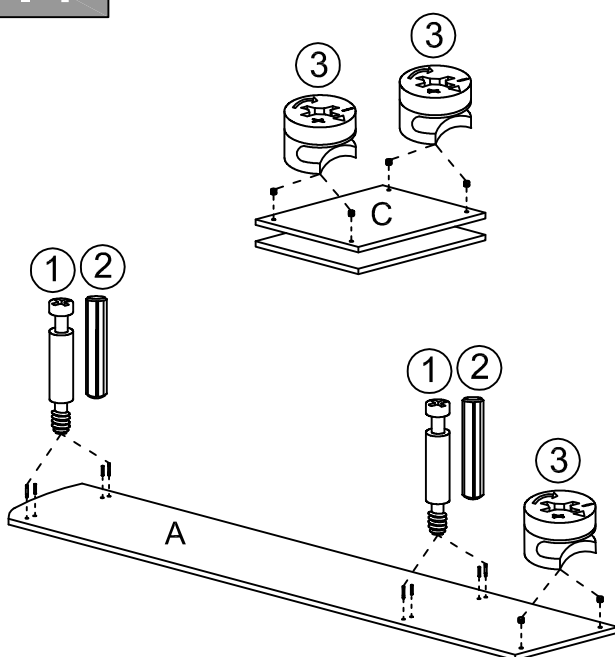
		Box number
M	900x375	3/4
N	900x375	3/4
O	402x297	2/4
P	402x297	2/4
Q	568x300	3/4
R	595x435	2/4
S	1380x310	4/4
T	1380x200	4/4
U	1380x210	4/4
V	800x250	4/4
W	280x250	4/4
X	900x100	4/4



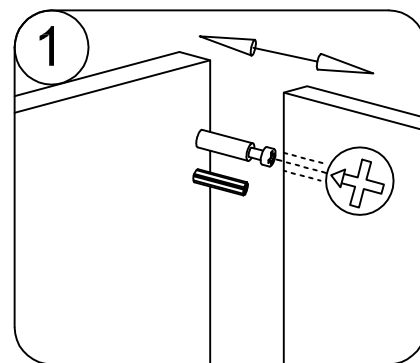
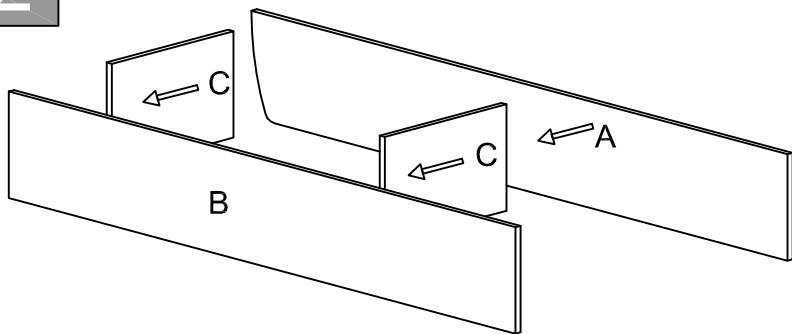
1



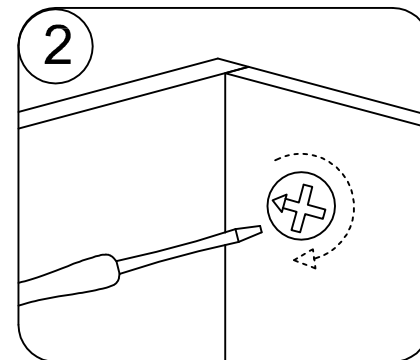
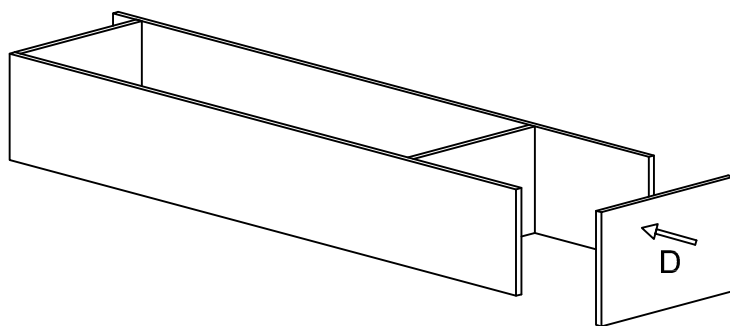
1.1



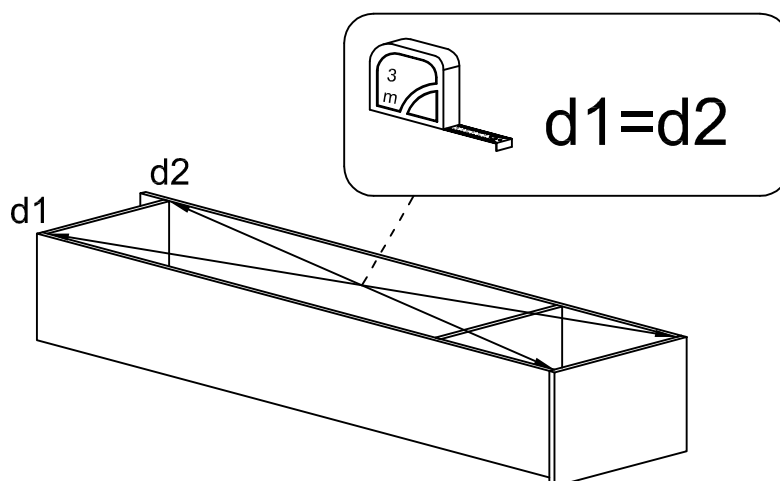
1.2



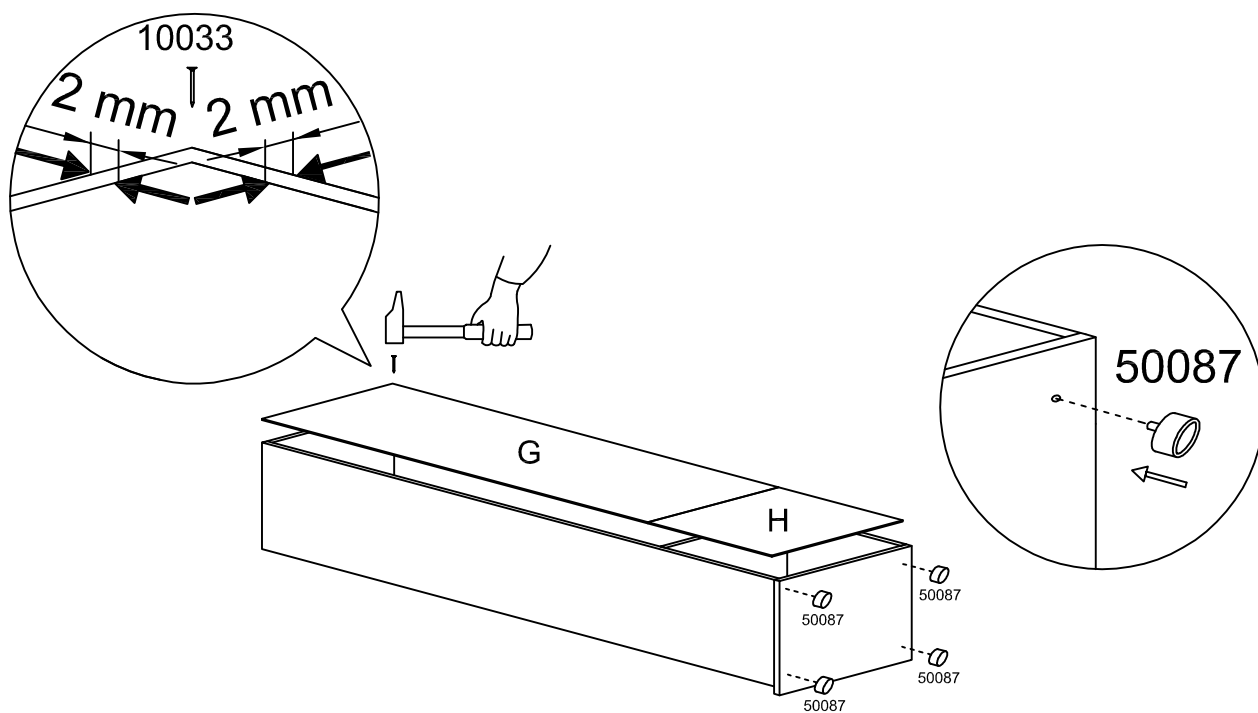
1.3



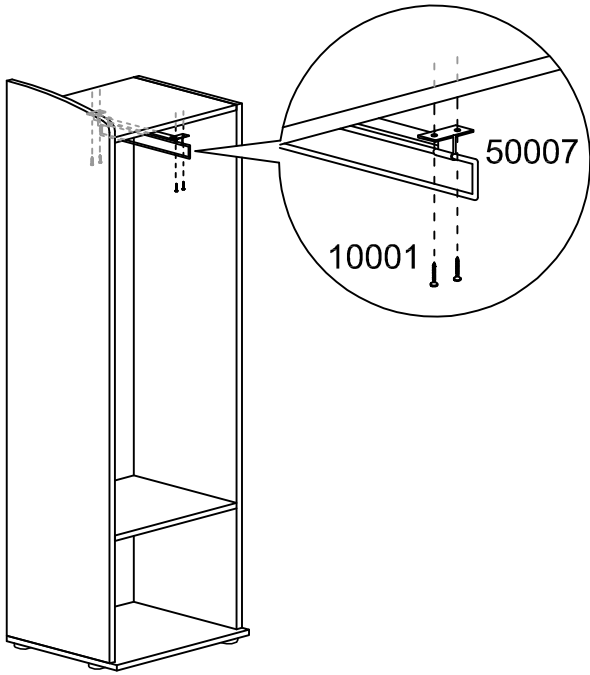
1.4



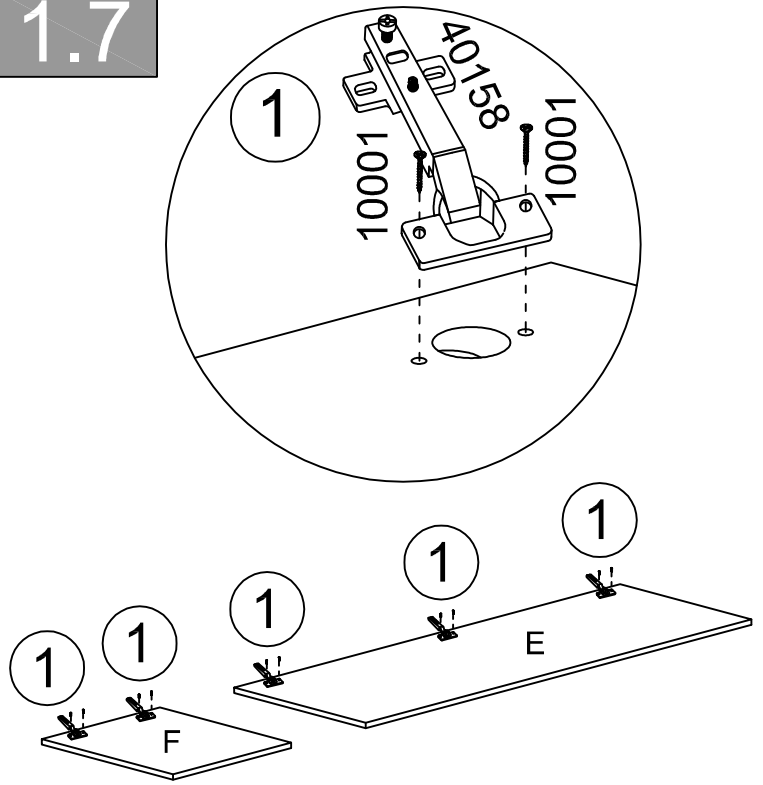
1.5



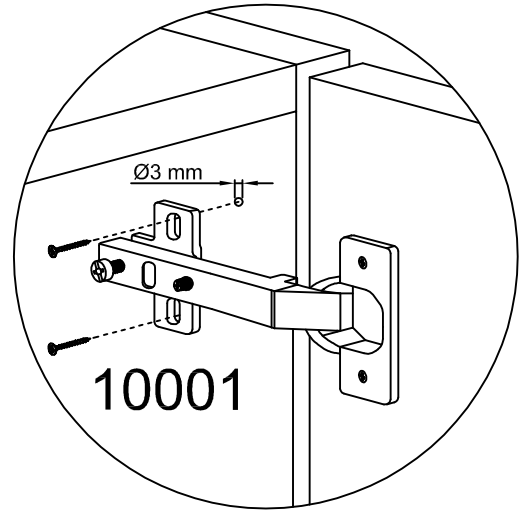
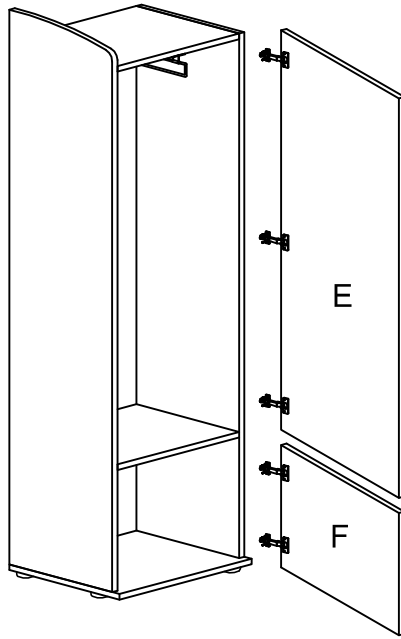
1.6



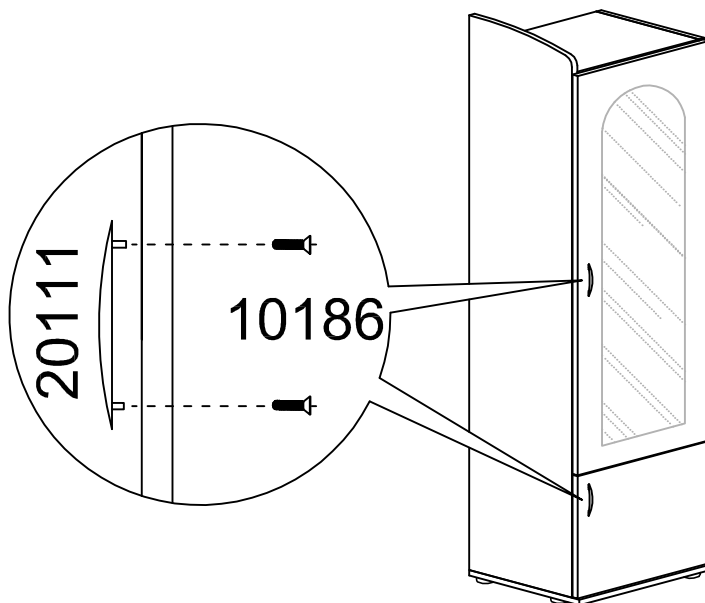
1.7



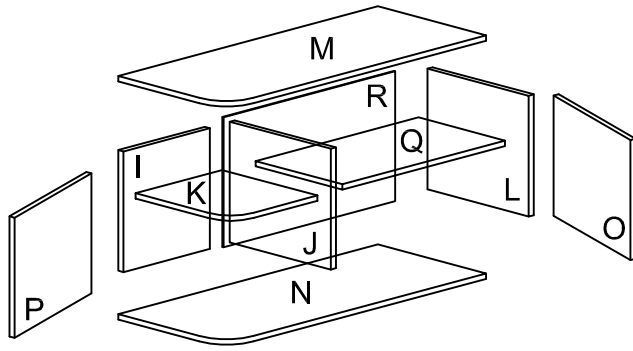
1.8



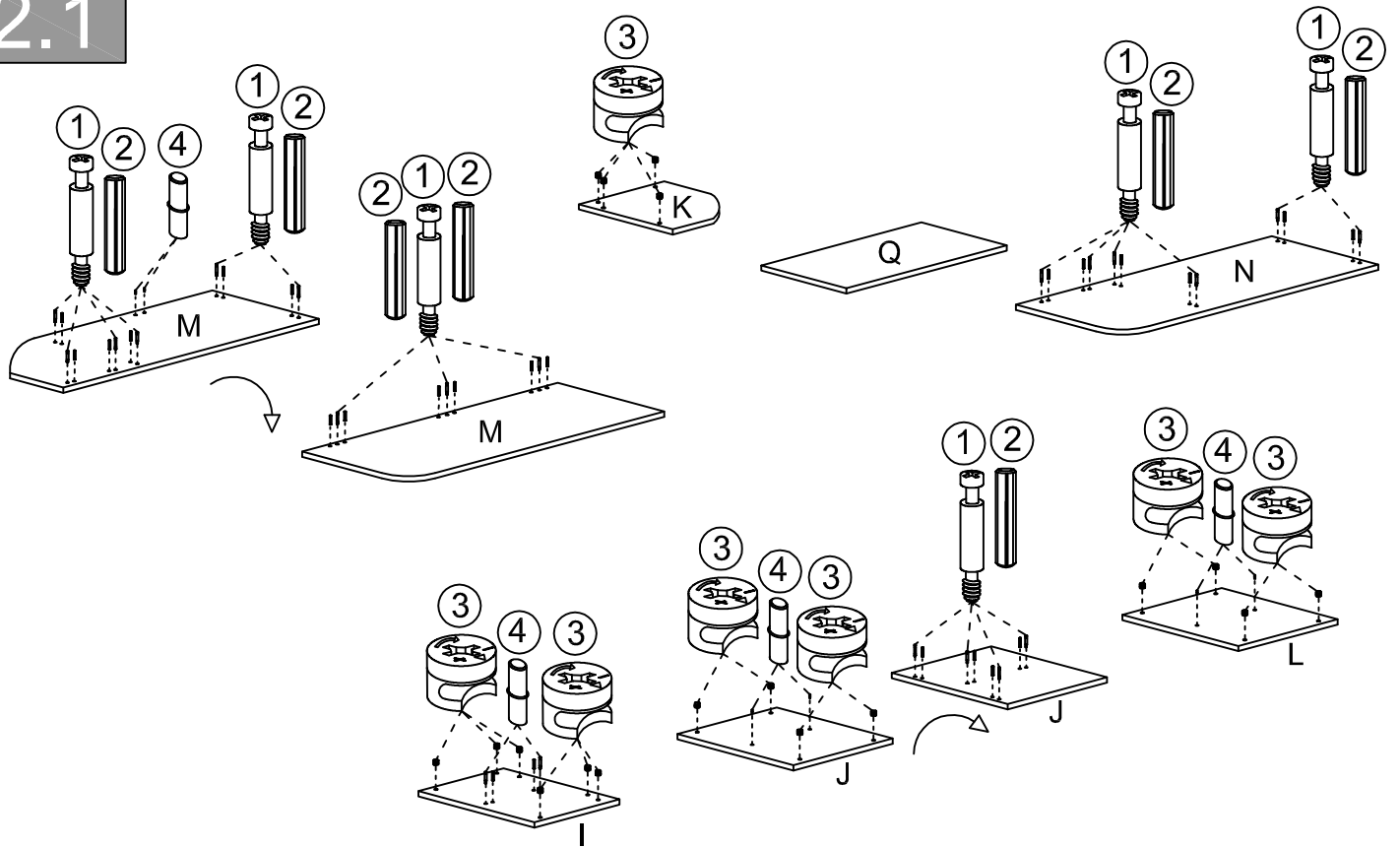
1.9



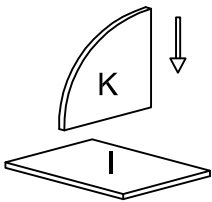
2



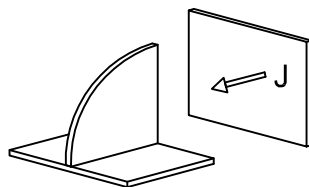
2.1



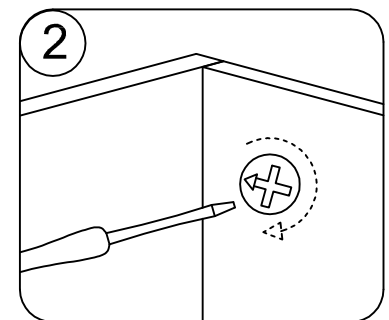
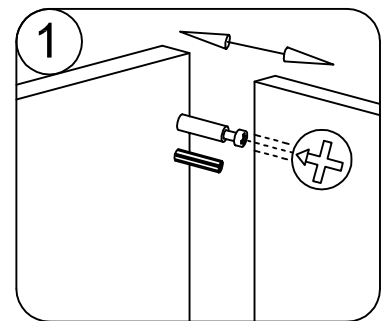
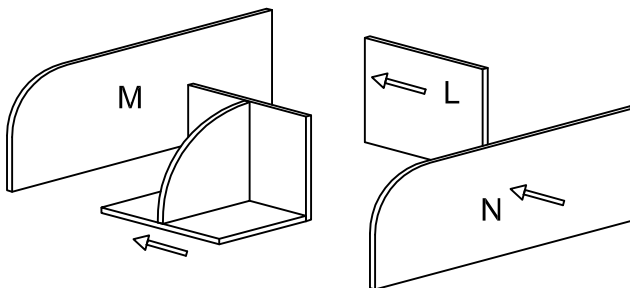
2.2



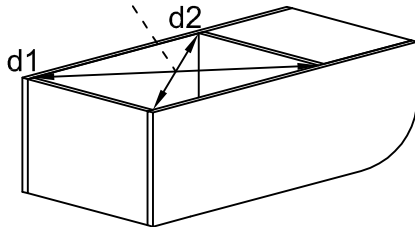
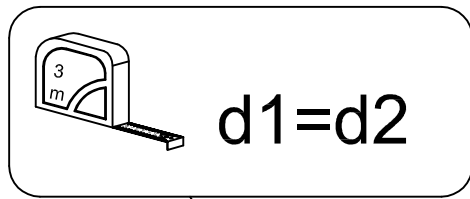
2.3



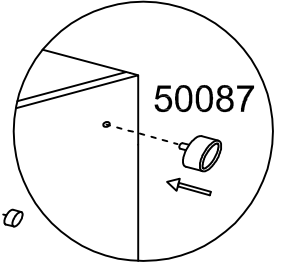
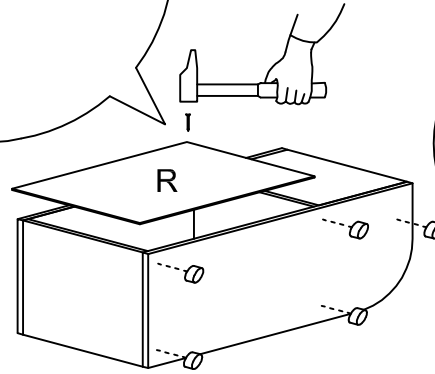
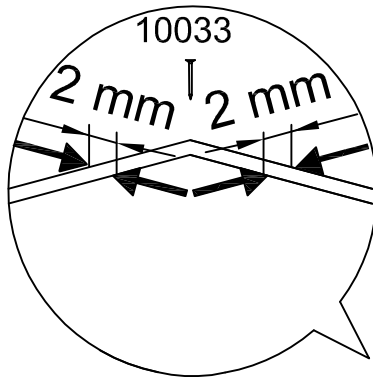
2.4



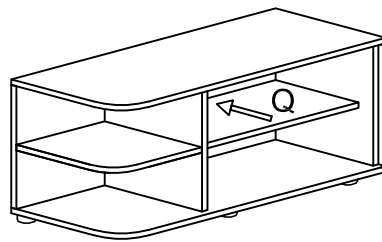
2.5



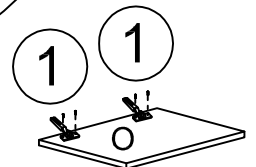
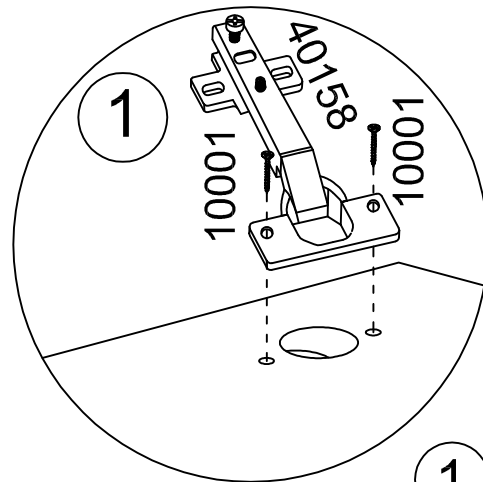
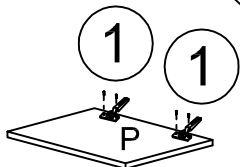
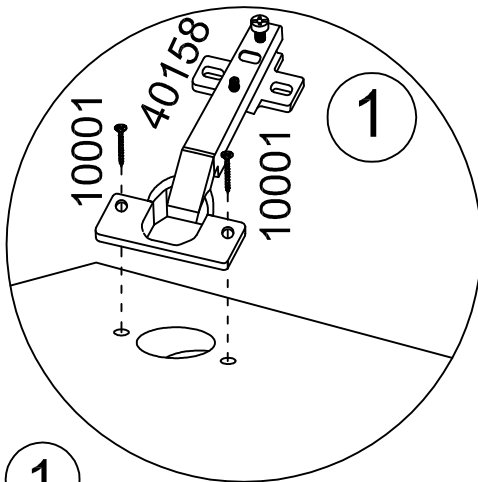
2.6



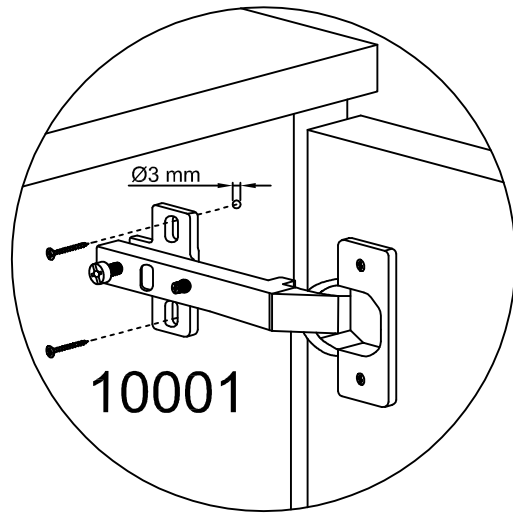
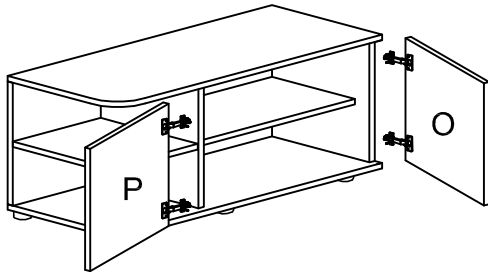
2.7



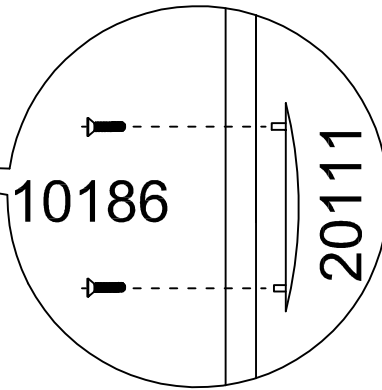
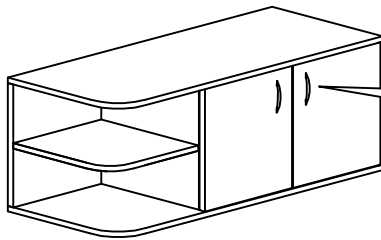
2.8



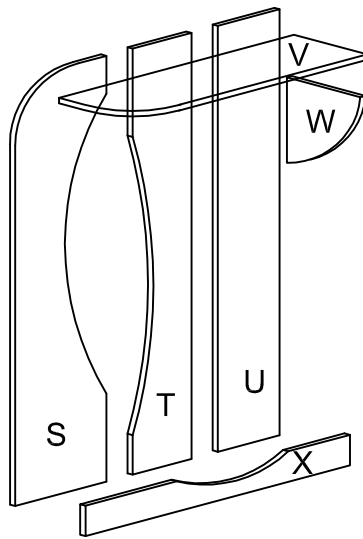
2.9



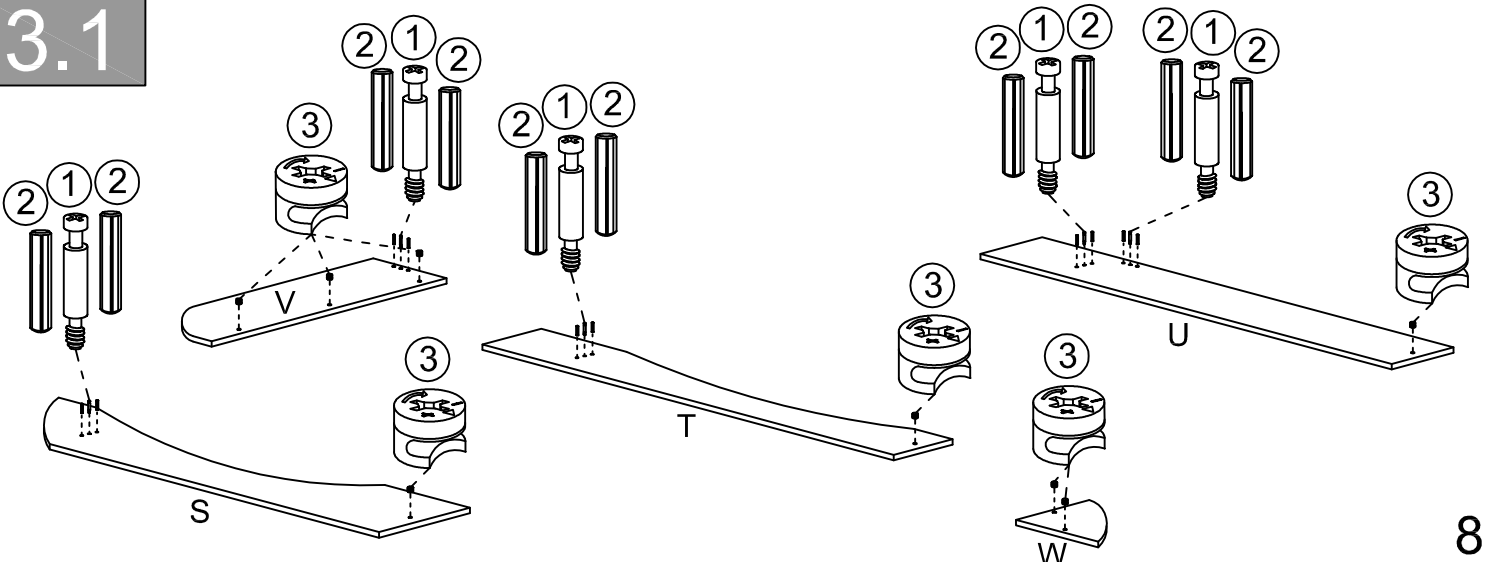
2.10



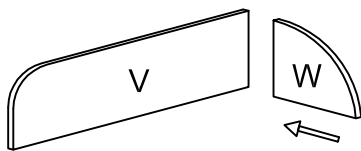
3



3.1



3.2



3.3

