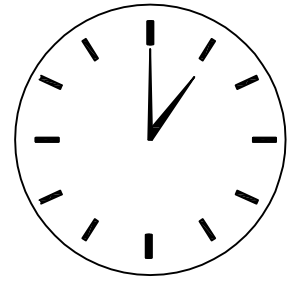
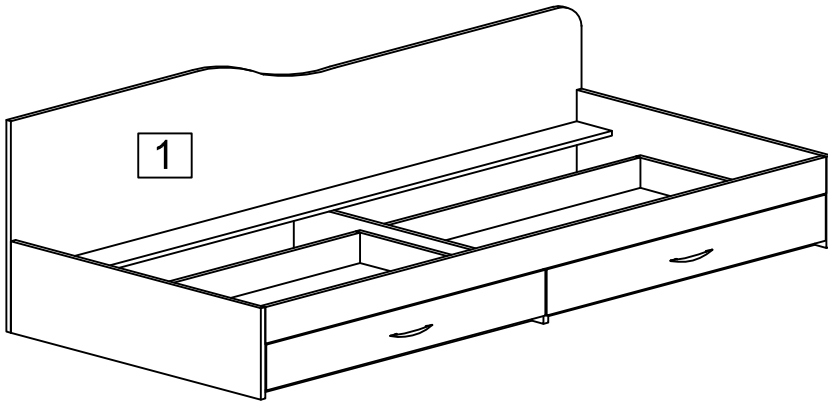
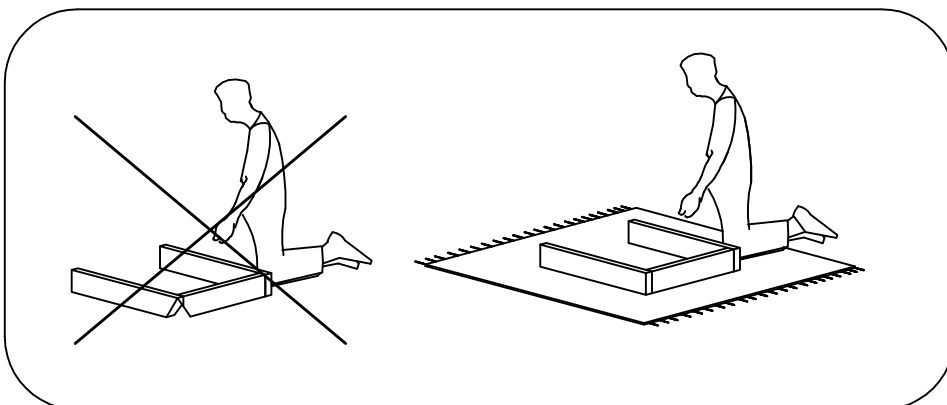
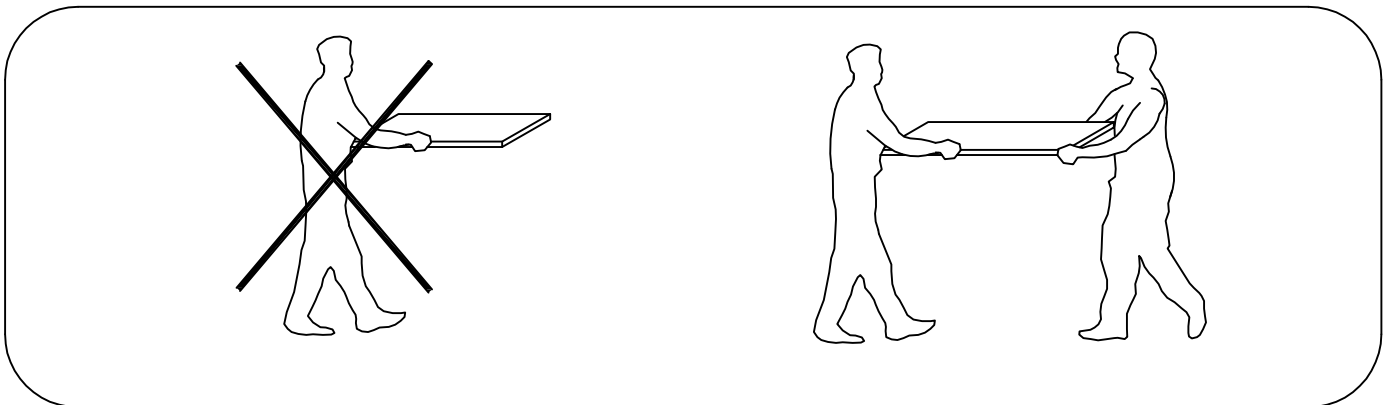
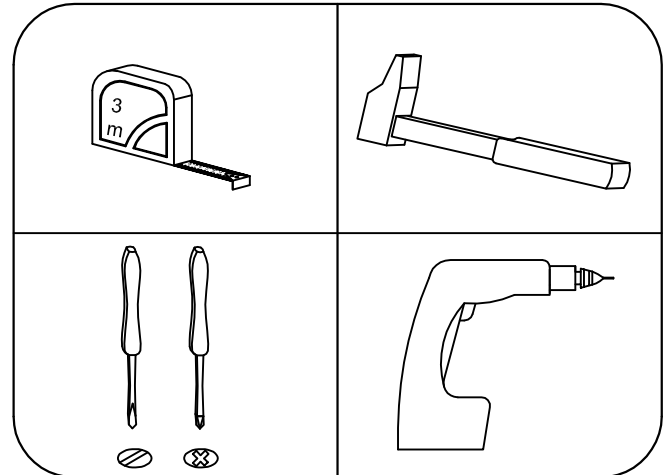
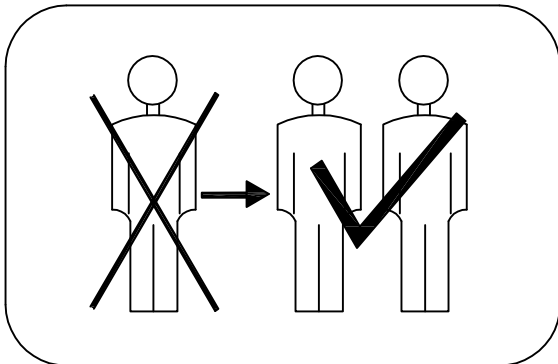
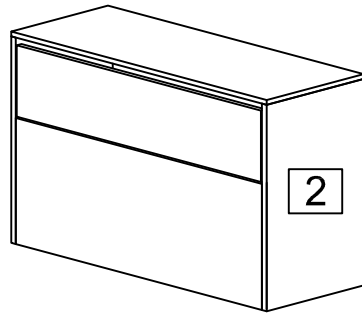


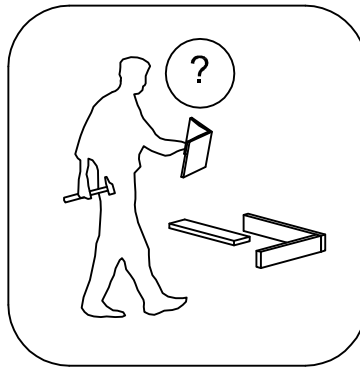
City 2005

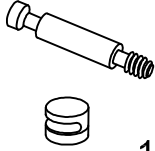

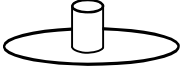
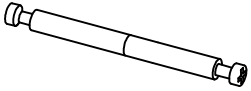

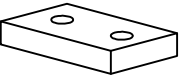
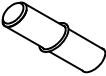

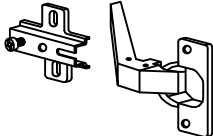
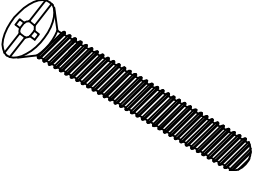
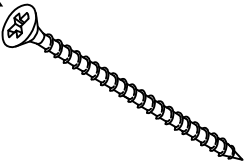
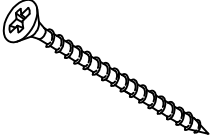





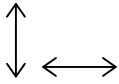
120 min.

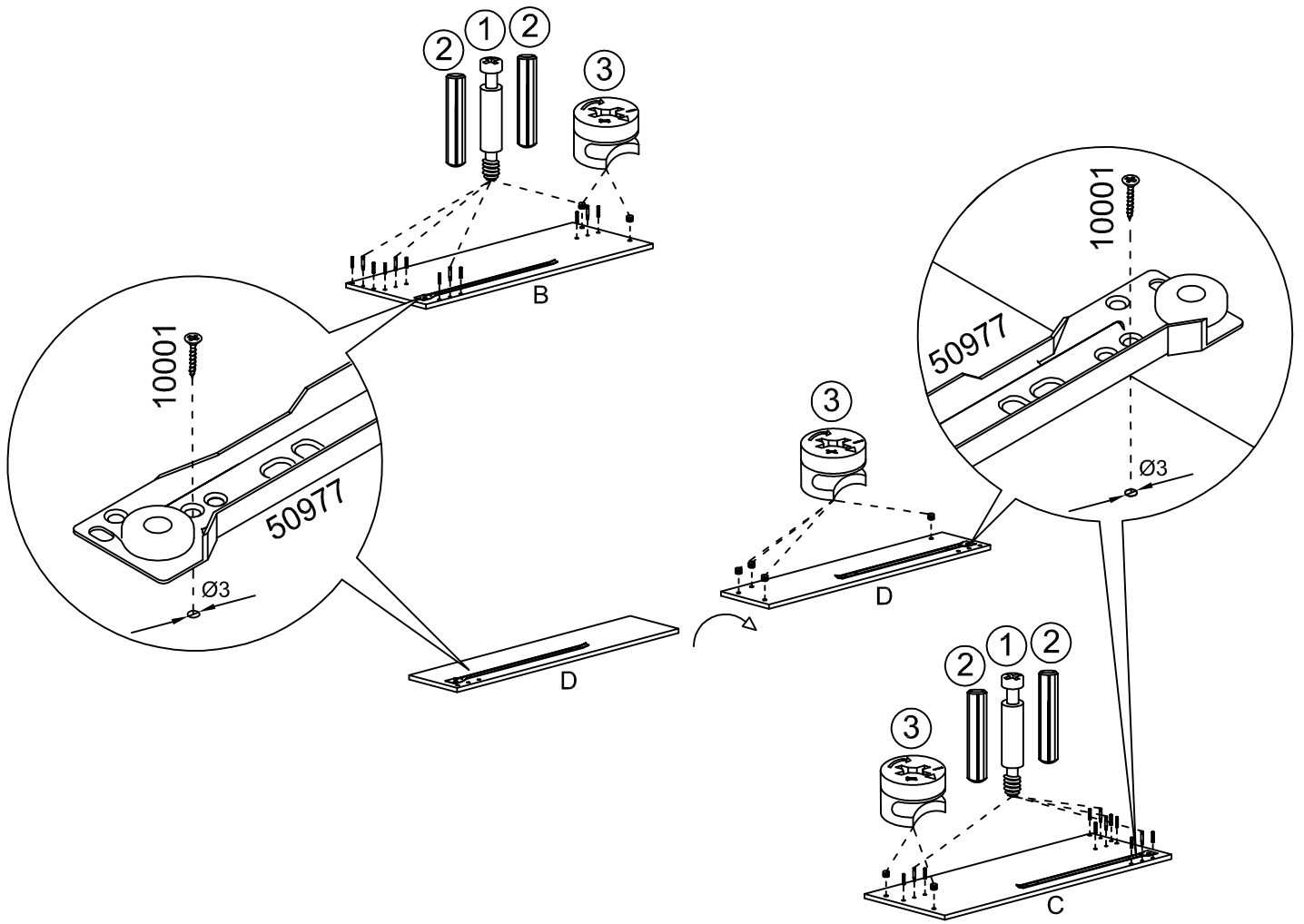


<http://www.irimbg.com/instructions/>

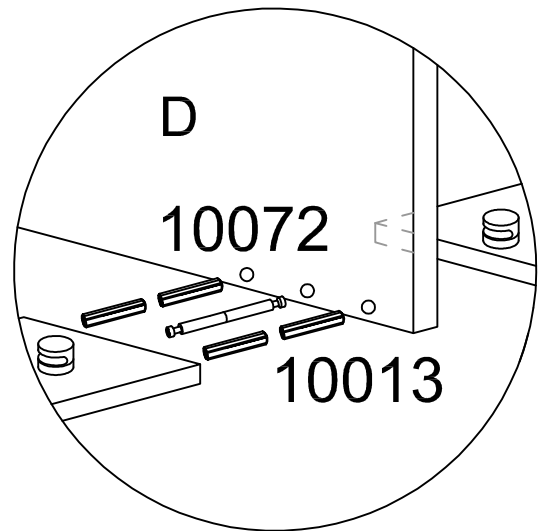
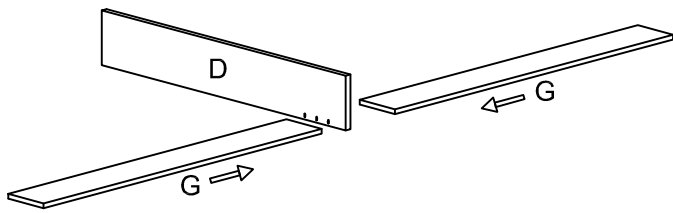


37x  10174	56x  Φ 8/30 10013	39x  50317	1x  10072
2x  L 600 mm 50977	10x  50249	2x  50332	2x  20111
2x  40013	4x  M 4x35 10053	16x  Φ 3,5/35 10005	6x  Φ 3,5/30 10004
35x  Φ 3,5/20 10002	28x  Φ 3,5/16 10001	 10033	

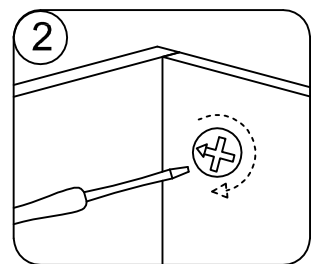
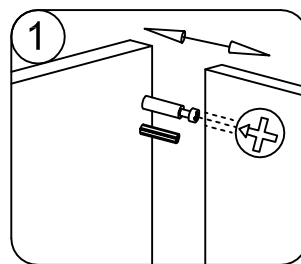
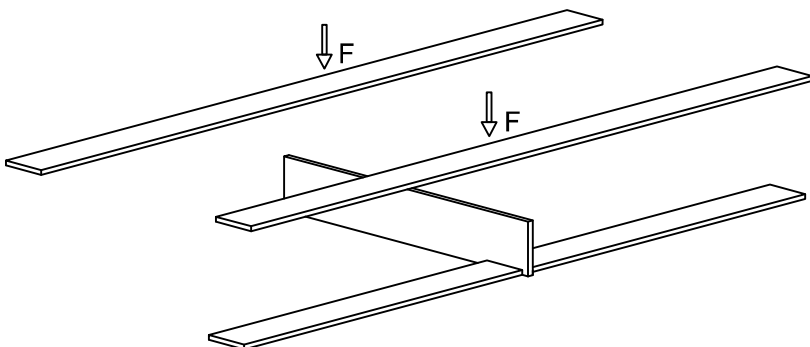
		Box number
A	1942x695	1/3
B	850x300	1/3
C	850x300	1/3
D	830x180	2/3
E	1910x120	1/3
F	2x 1910x135	1/3
G	2x 947x120	3/3
H	4x 600x100	2/3
I	4x 889x100	3/3
J,J1	2x 950x151	3/3
K	415x838	2/3
L	870x330	3/3
M	679x330	2/3
N	679x330	2/3
O	838x314	2/3
P	630x865	1/3
Q	2x 918x595	1/3
R	831x235	2/3



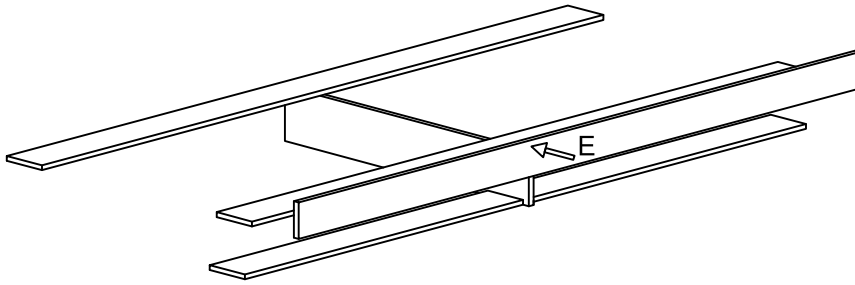
1.2



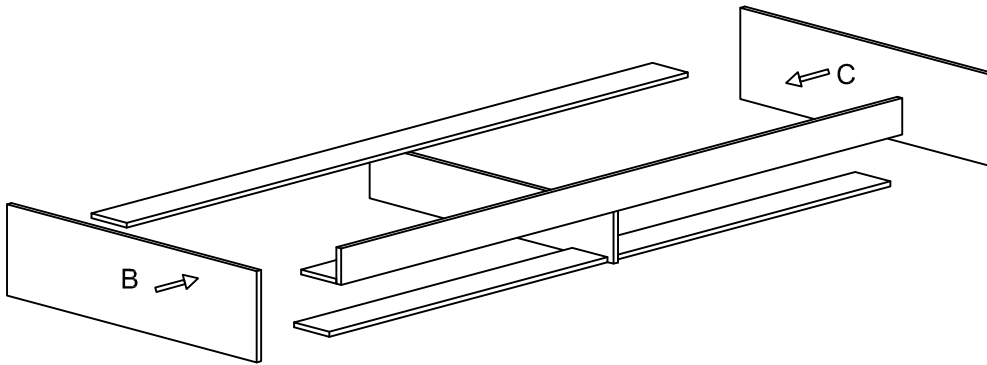
1.3



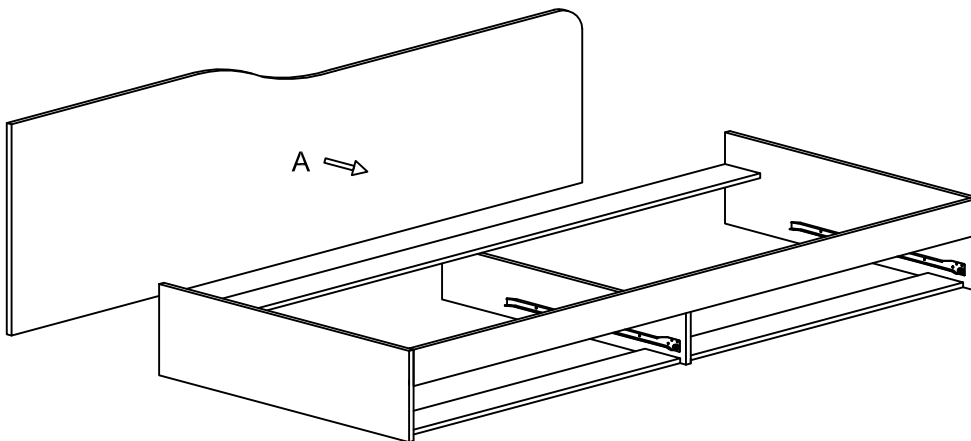
1.4



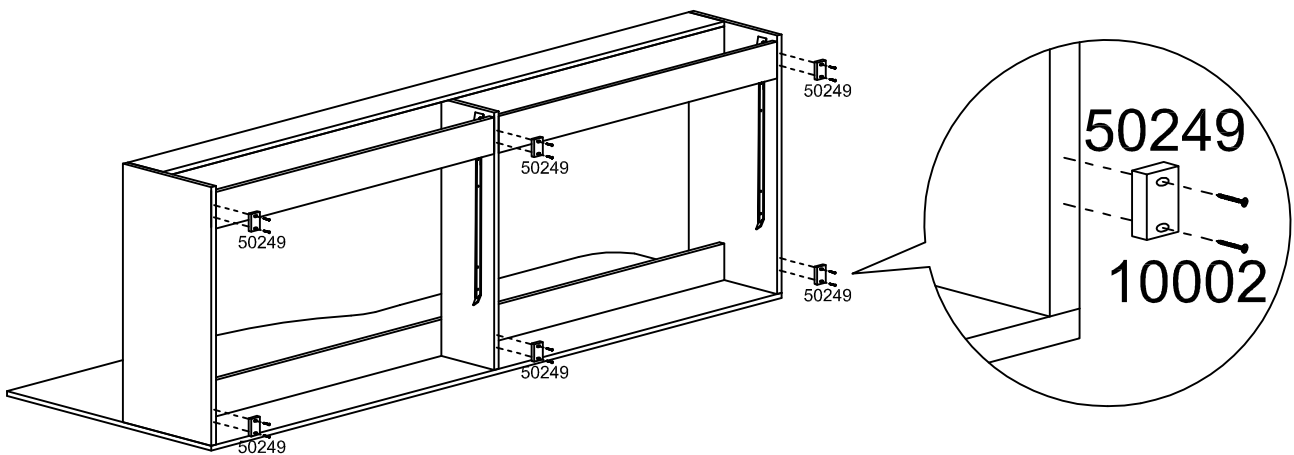
1.5

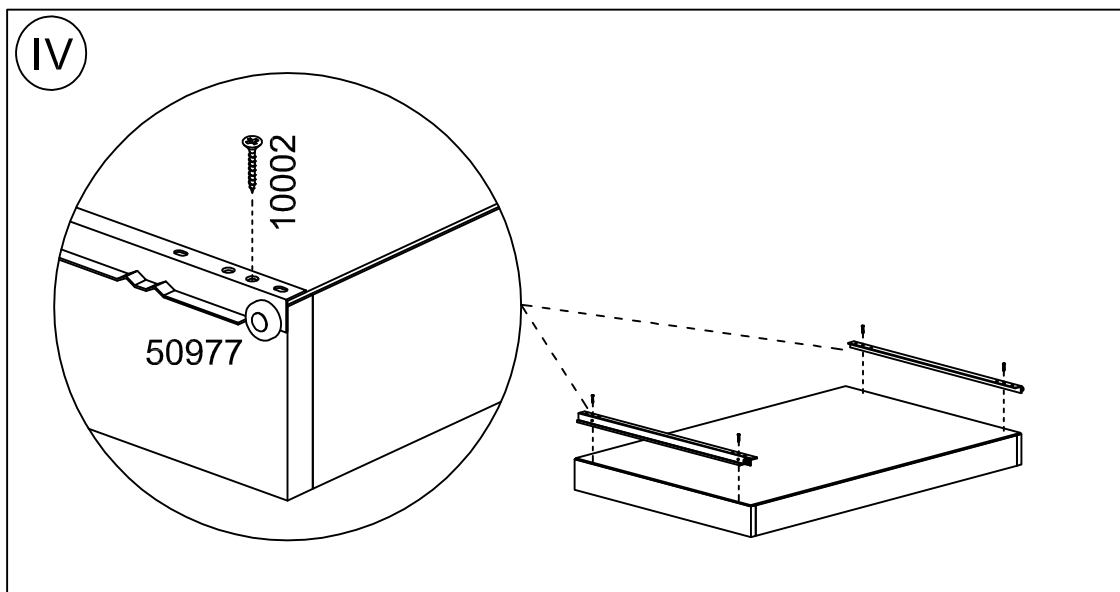
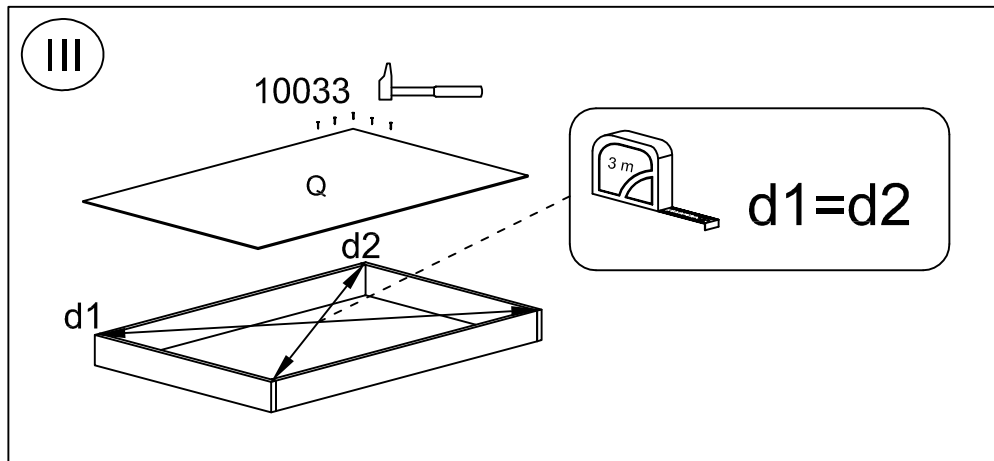
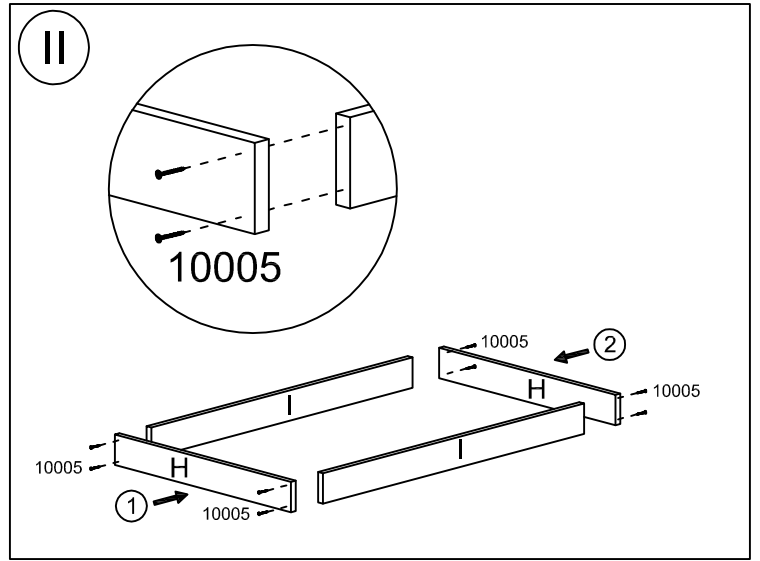
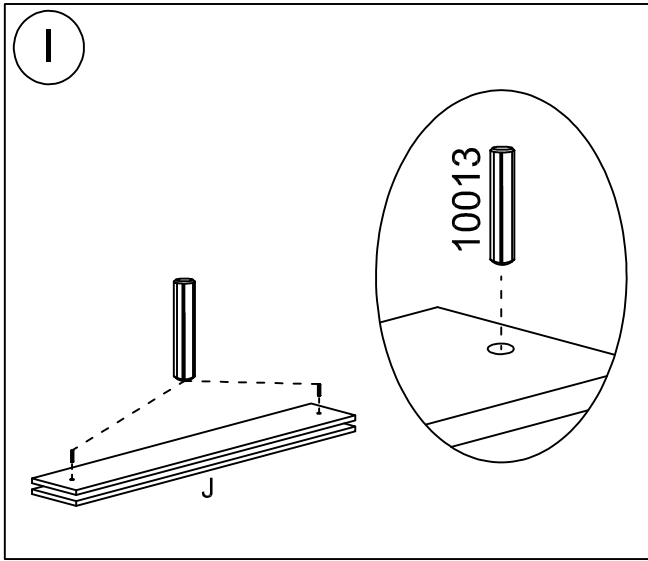


1.6

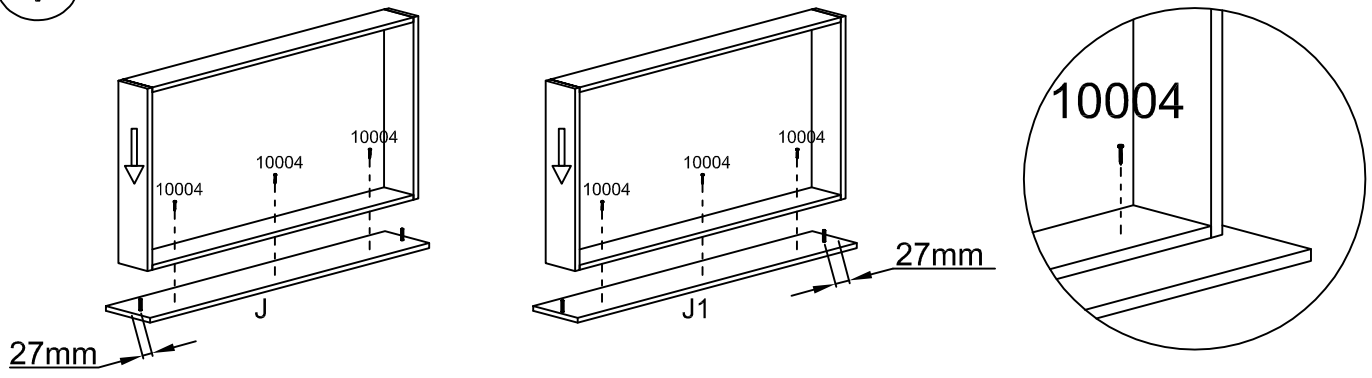


1.7

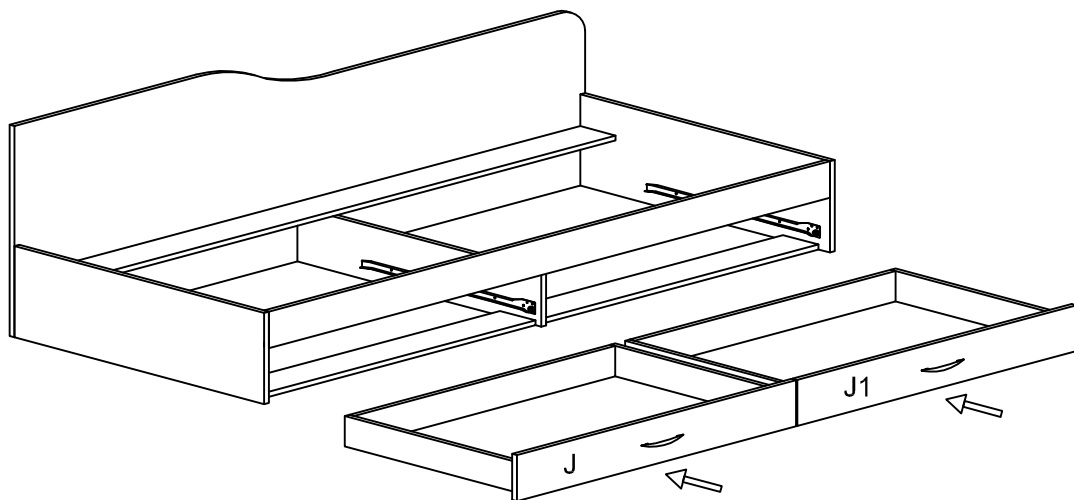
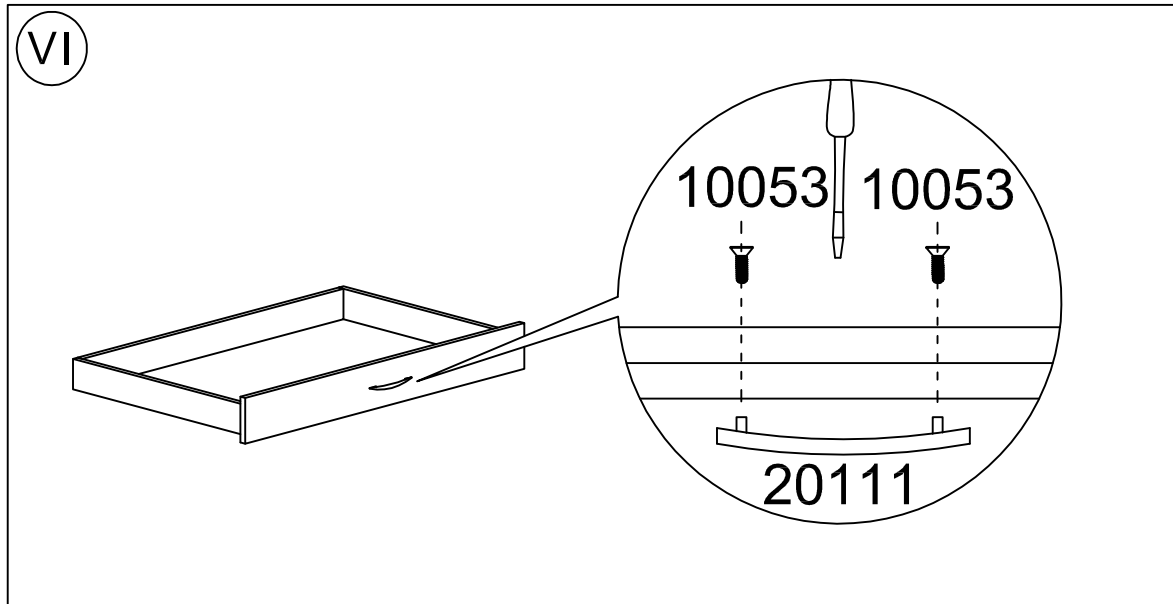




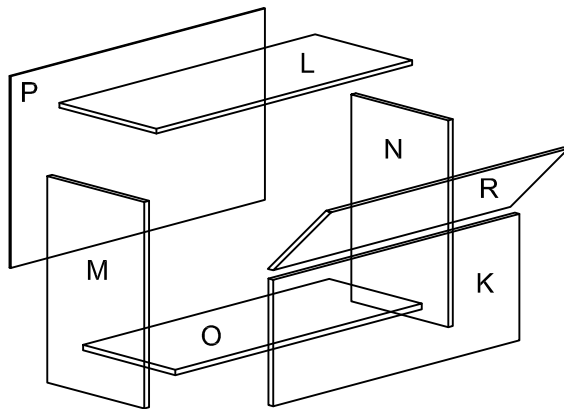
V



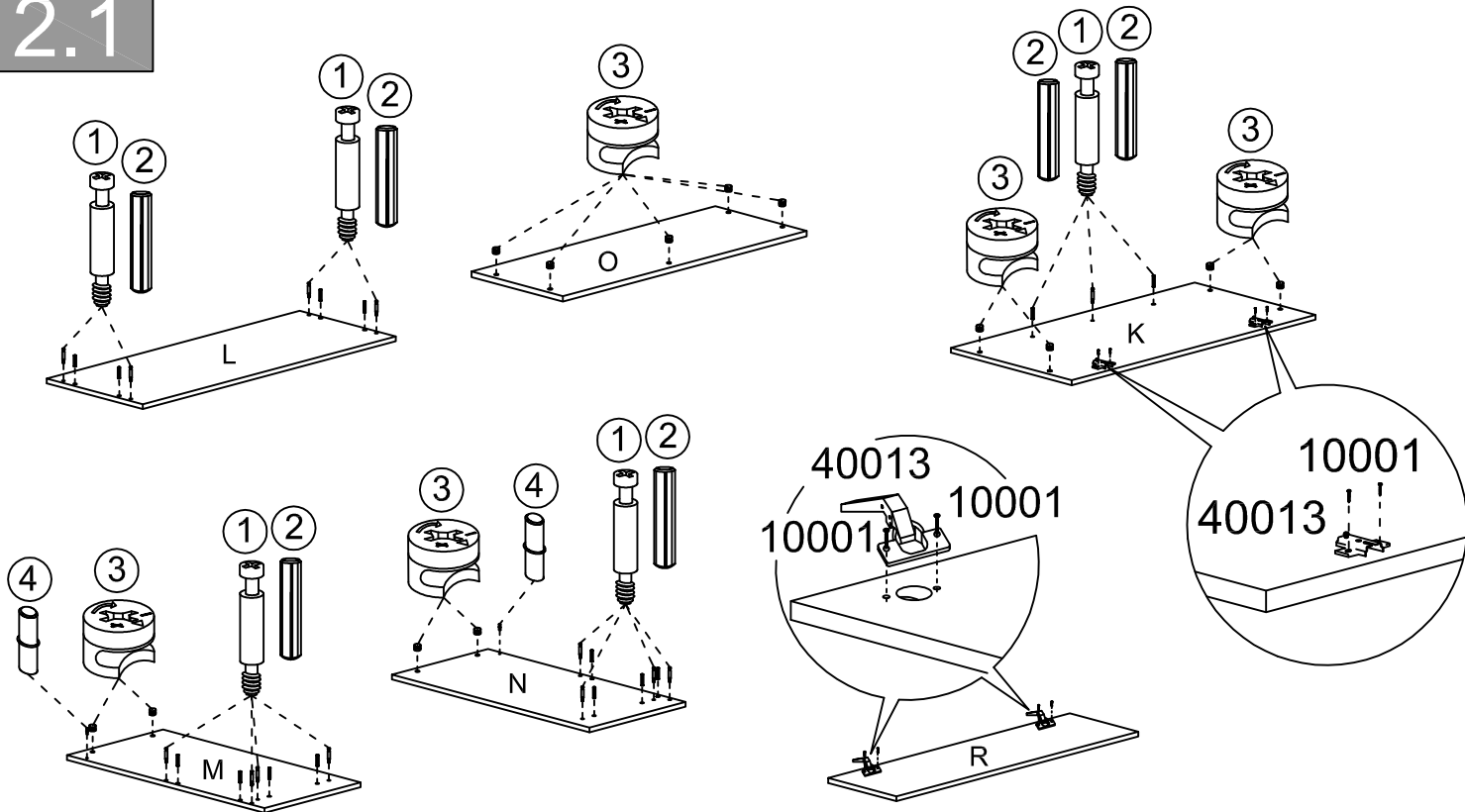
VI



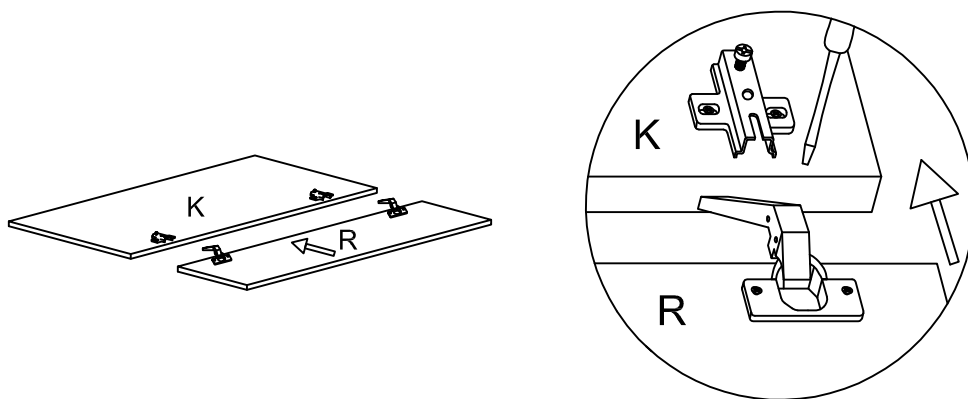
2



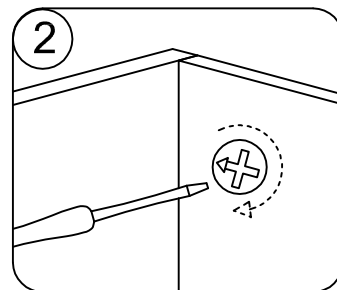
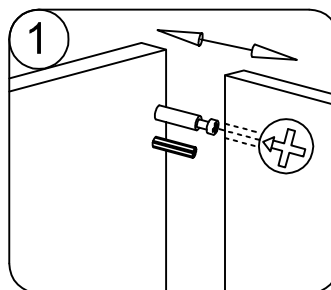
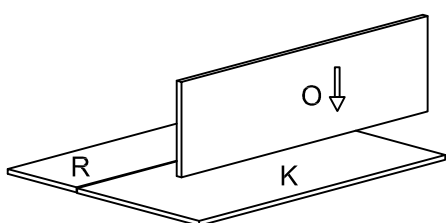
2.1



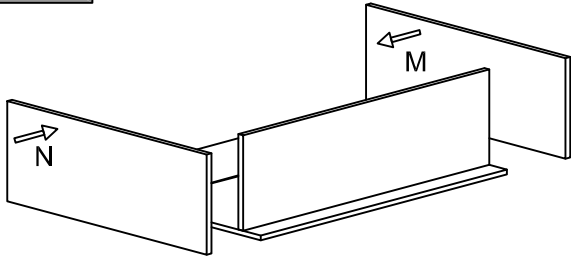
2.2



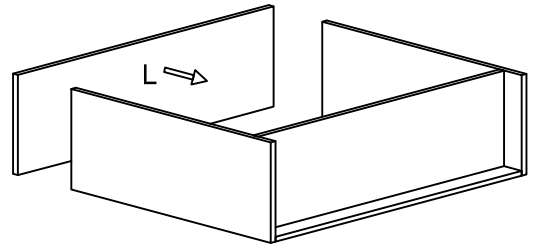
2.3



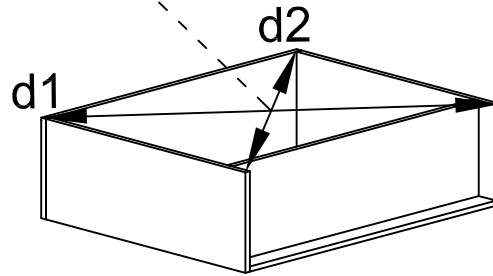
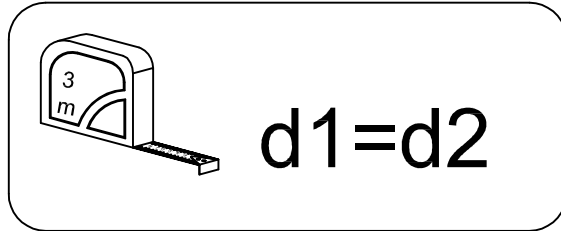
2.4



2.5



2.6



2.7

