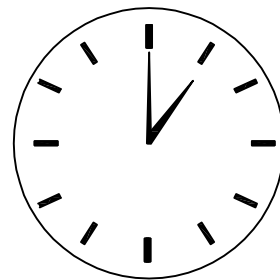
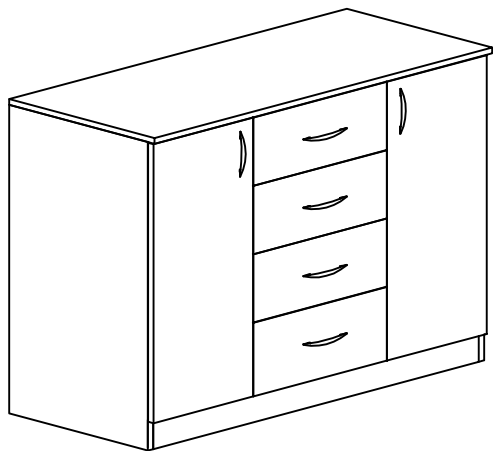
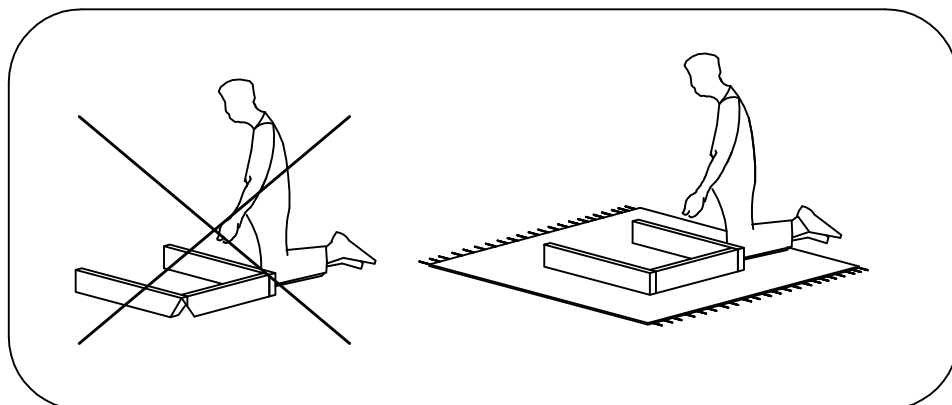
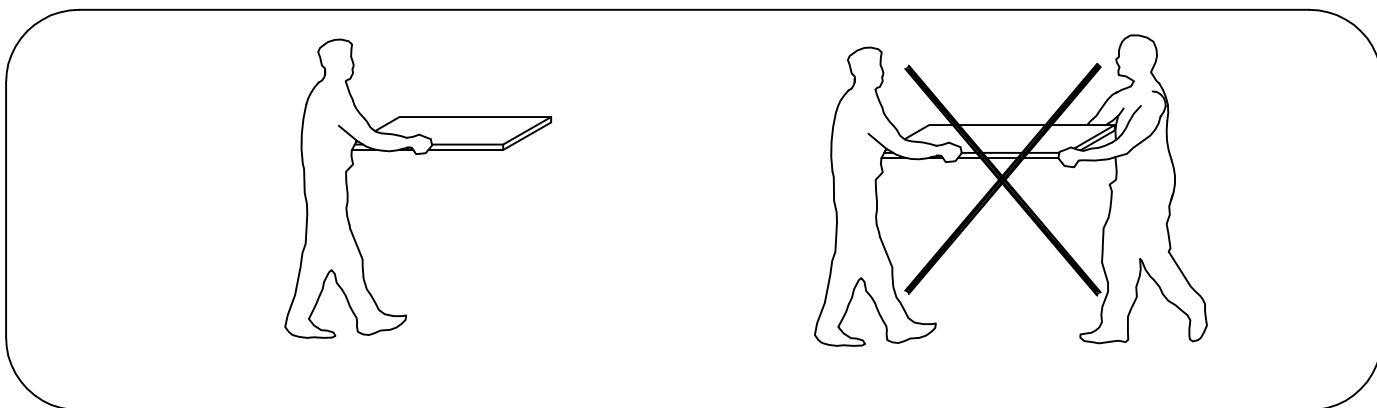
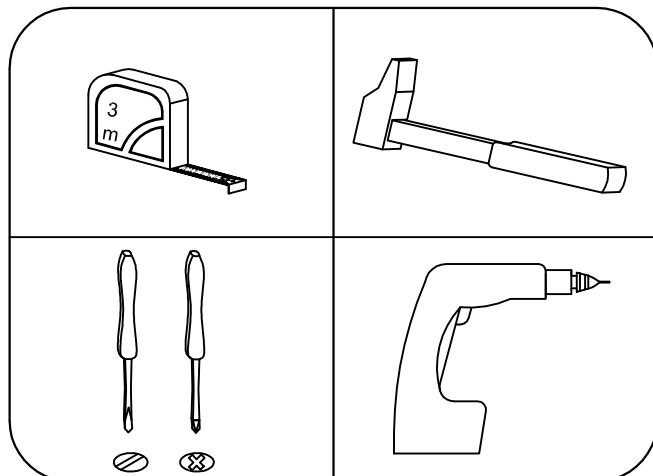
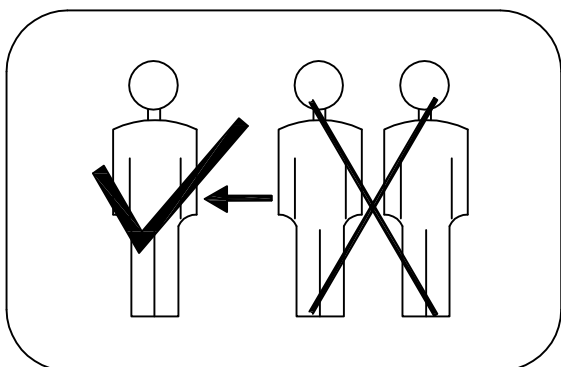


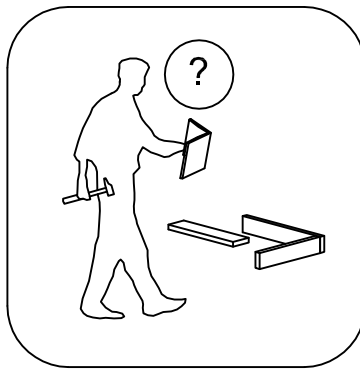
City 3004

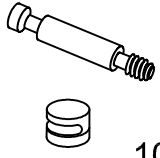
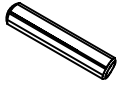
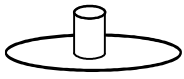
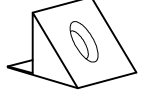


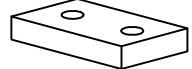

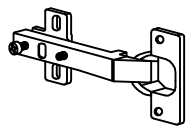
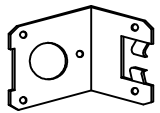
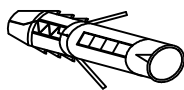
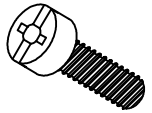
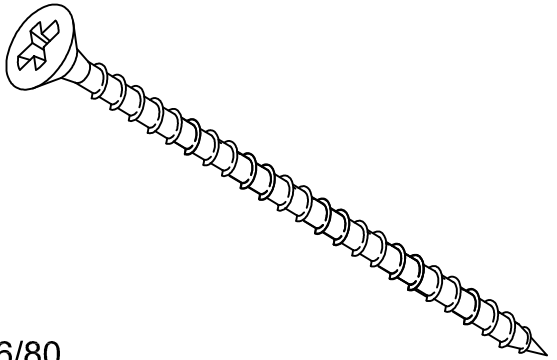
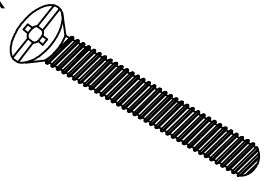
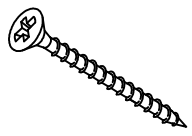






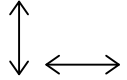
90 min.

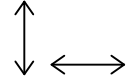


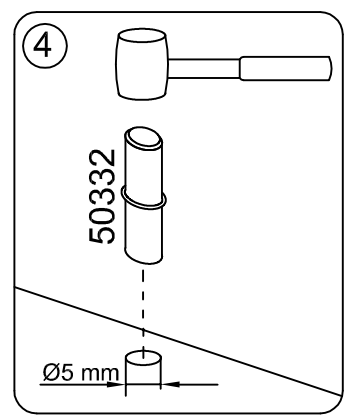
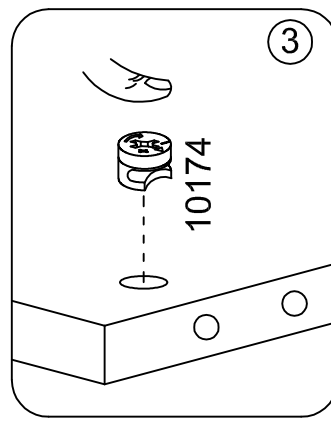
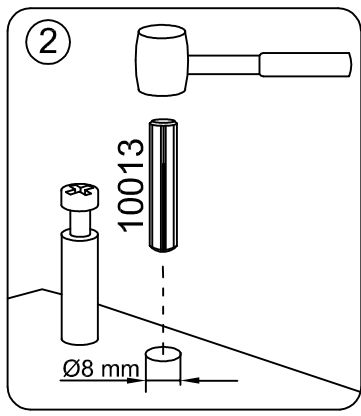
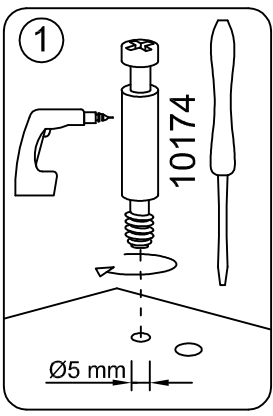
<http://www.irimbg.com/instructions/>



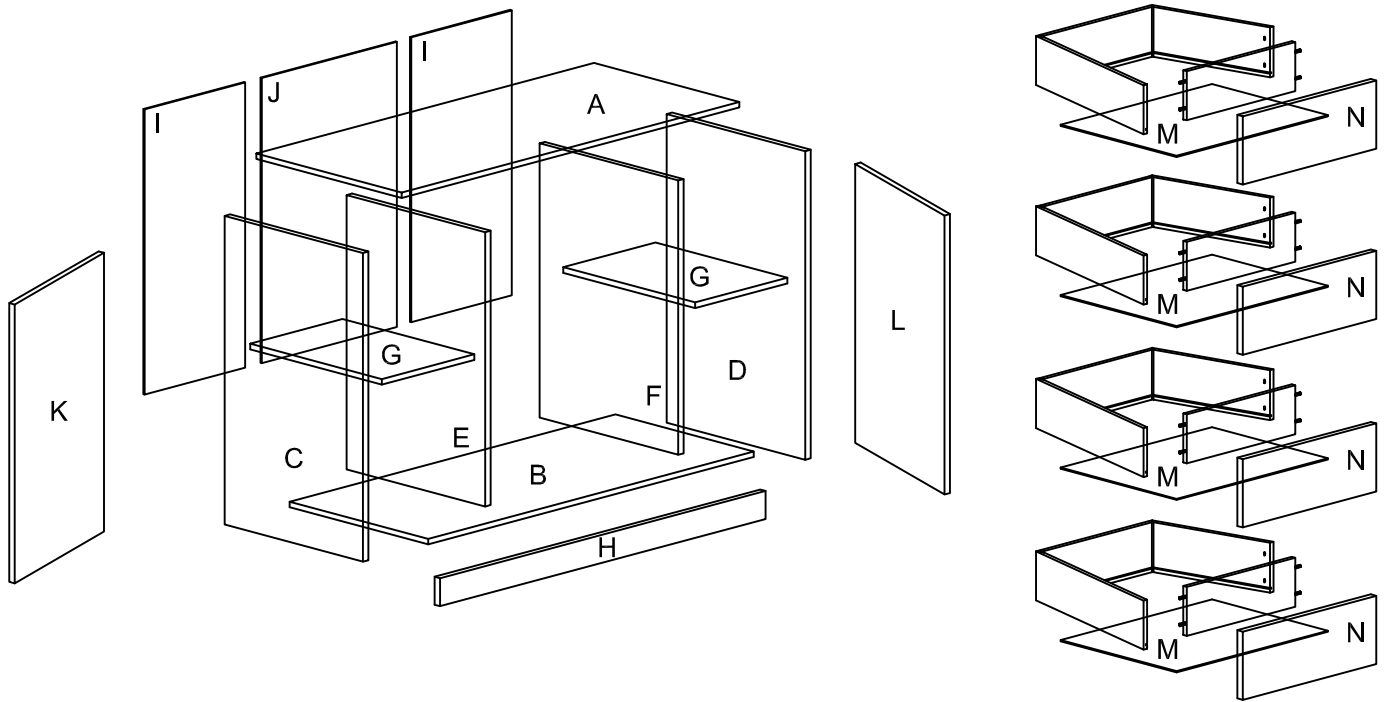
16x  10174	30x  Φ 8/30 10013	16x  50317	8x  50505
4x  L 400 mm 50955	6x  20111	4x  50246	8x  50332
4x  40158	2x  51066	2x  10060	6x  M 4/18 10186
2x  Φ 6/80 10021	8x  M 4x35 10053	8x  Φ 3,5/25 10003	
		9x  Φ 3,5/20 10002	
37x  Φ 3,5/16 10001	24x  Φ 3/16 10022	10033 	

		Box number
A	1000x430	1/2
B	968x410	1/2
C	884x410	1/2
D	884x410	1/2
E	788x410	1/2
F	788x410	1/2
G	2x 276x390	2/2

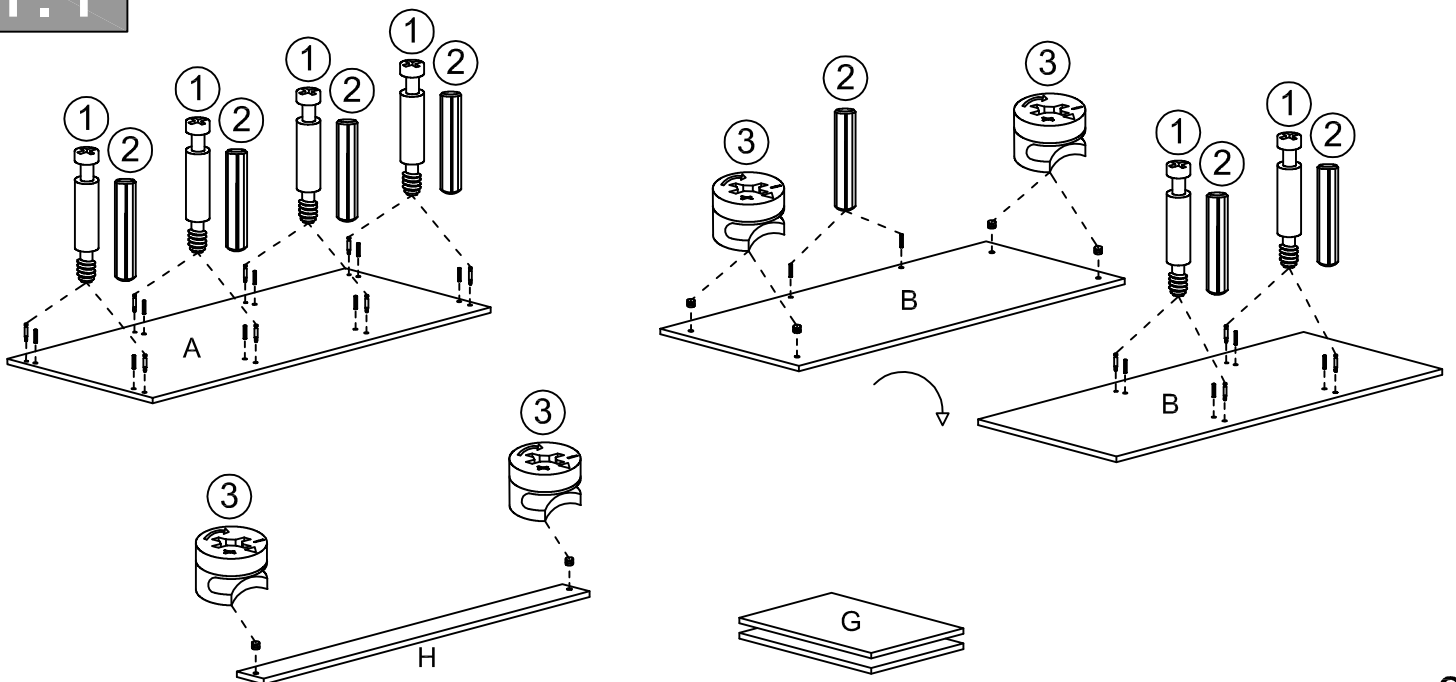
		Box number
H	968x80	1/2
I	2x 815x297	1/2
J	815x400	1/2
K	801x297	2/2
L	801x297	2/2
M	4x 385x342	1/2
N	4x 198x397	1/2

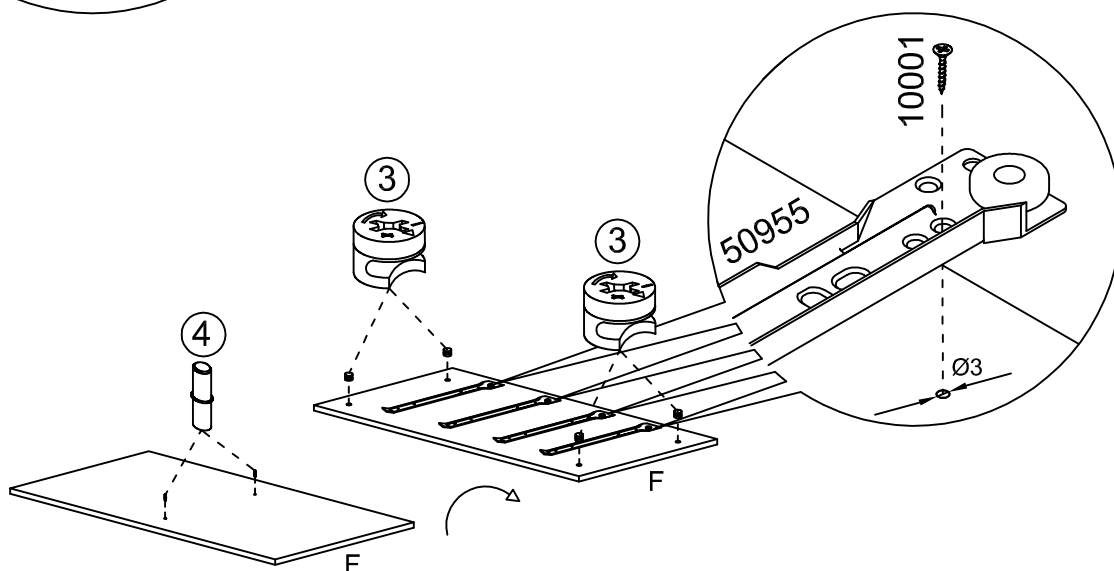
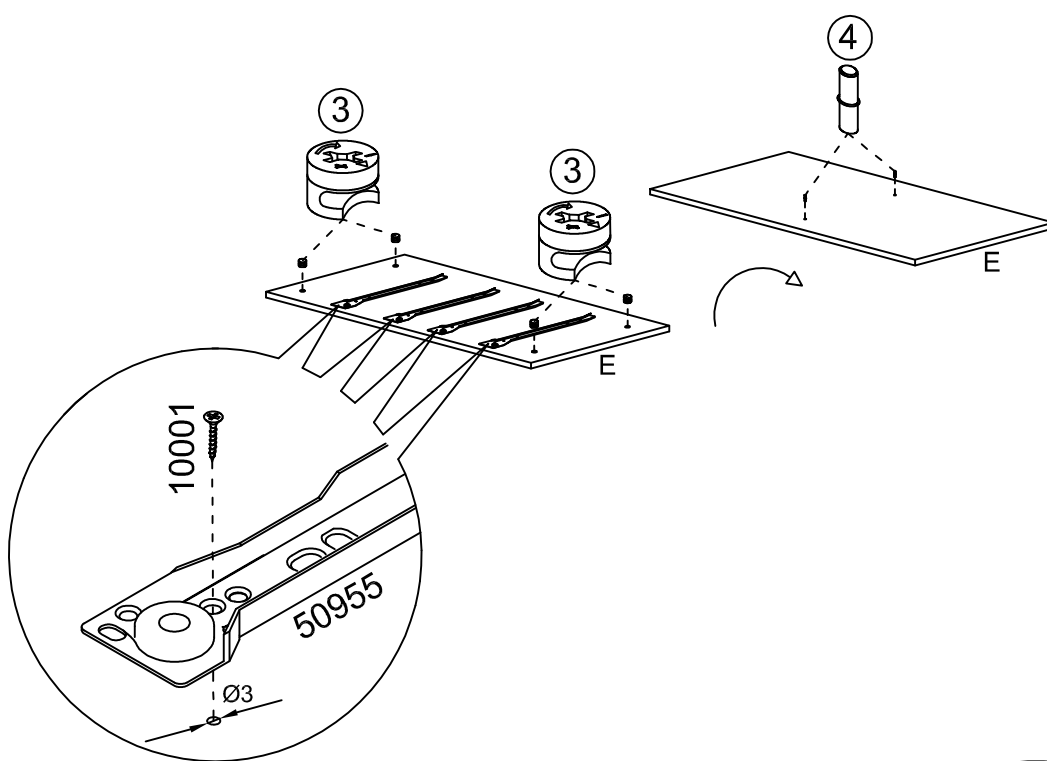
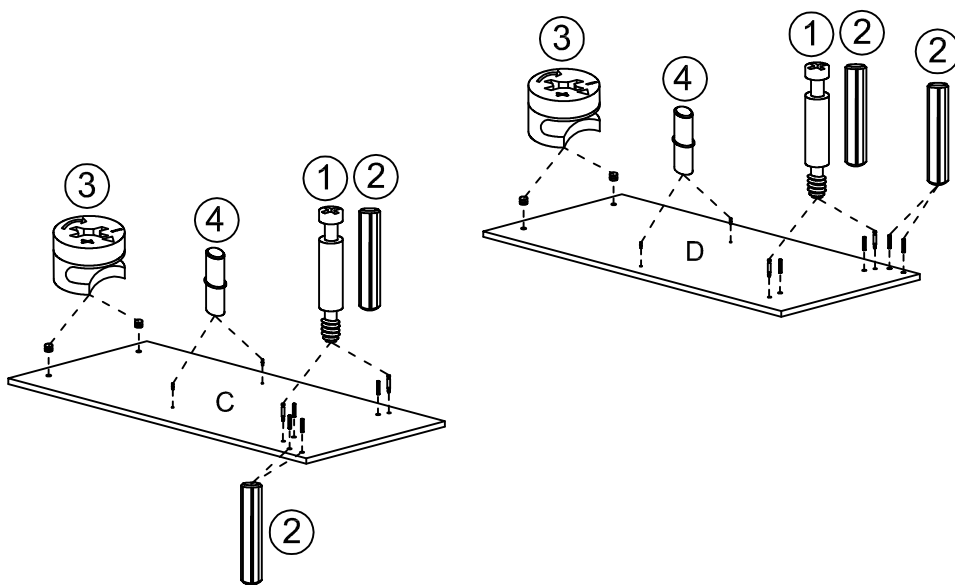


1

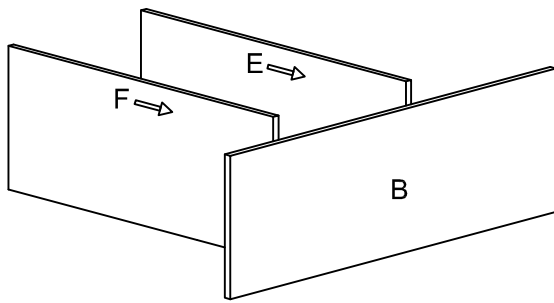


1.1

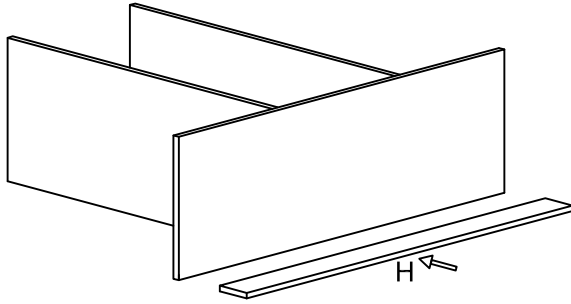




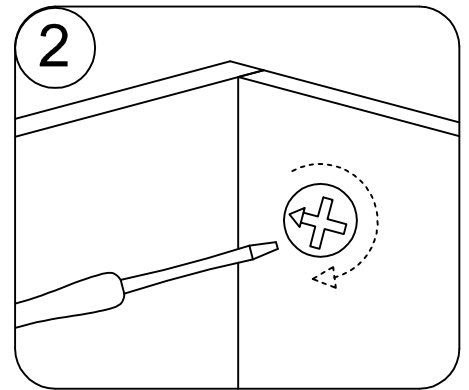
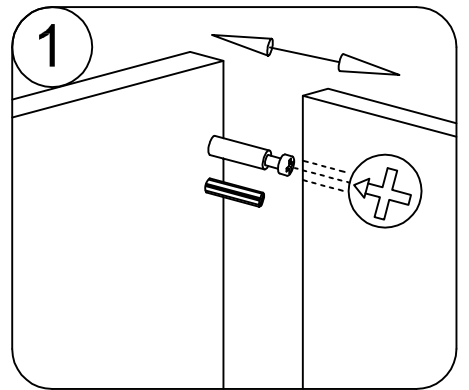
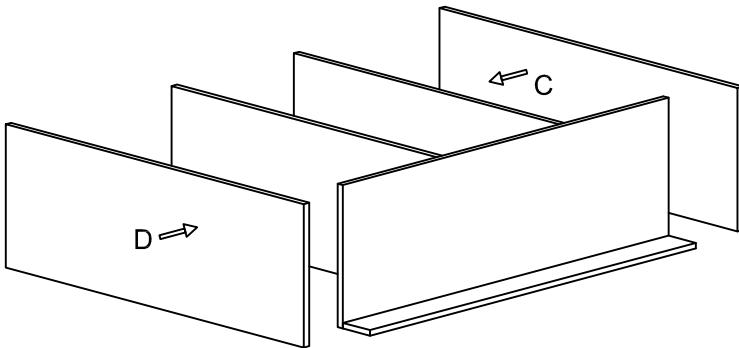
1.2



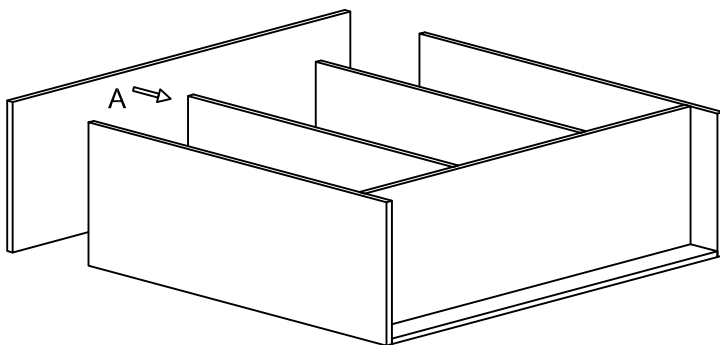
1.3



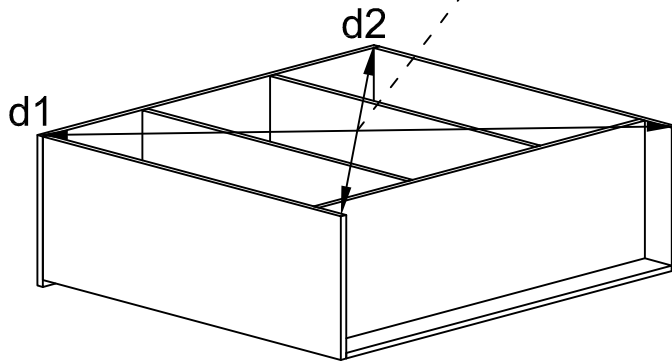
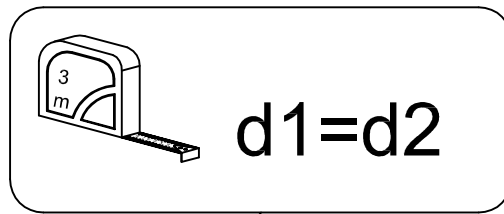
1.4



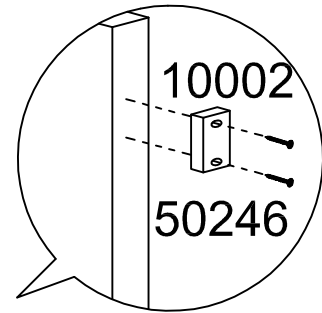
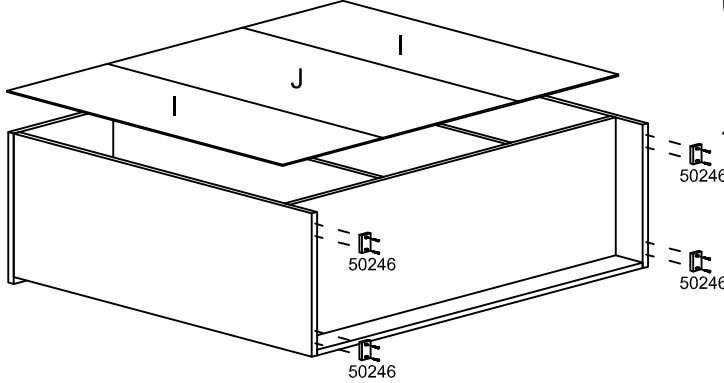
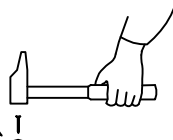
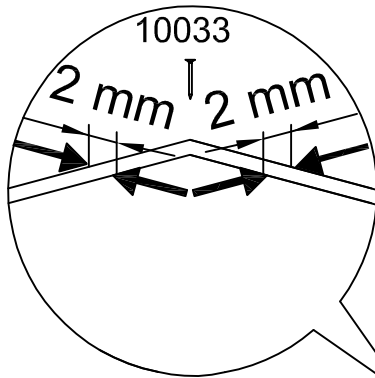
1.5



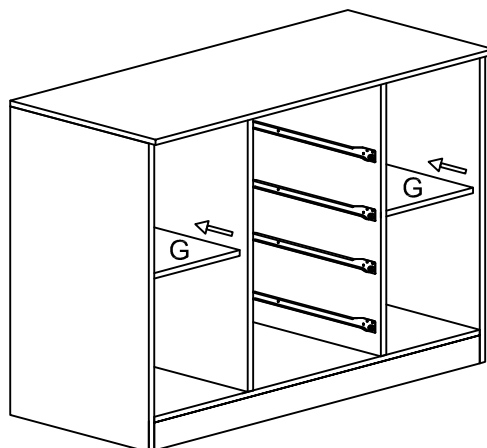
1.6



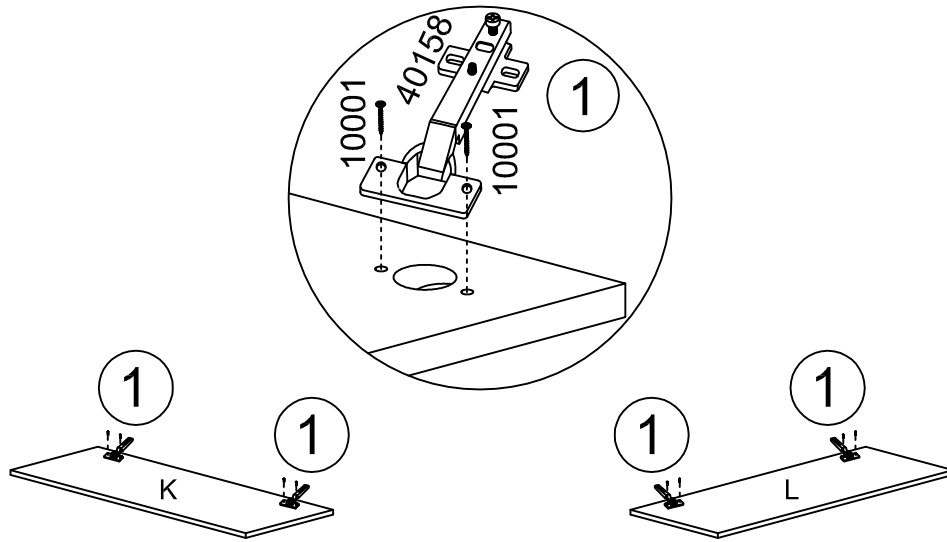
1.7



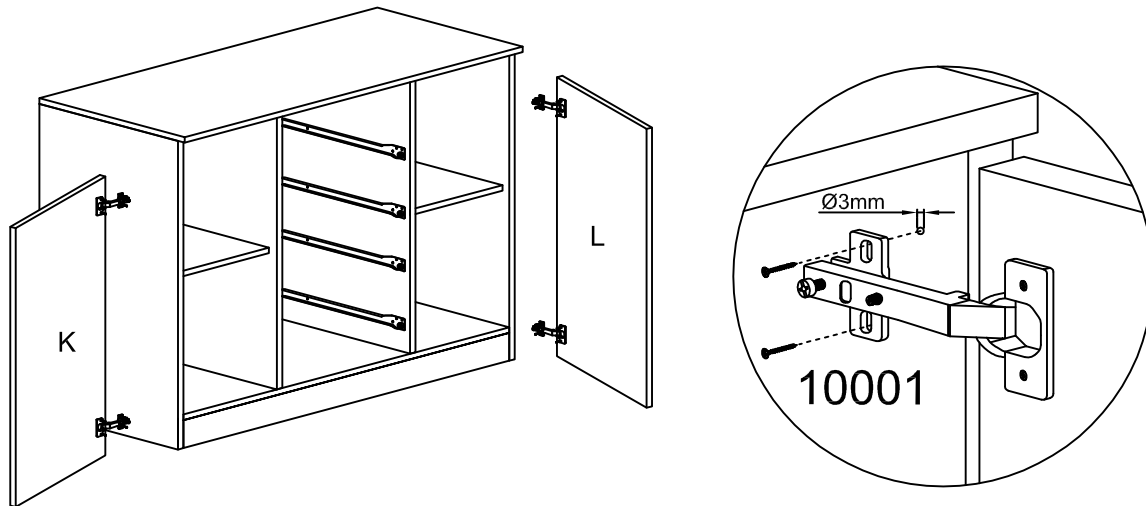
1.8



1.9



1.10



1.11

