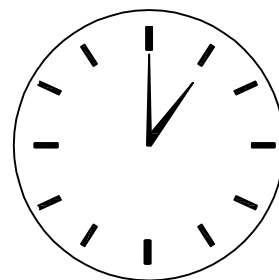
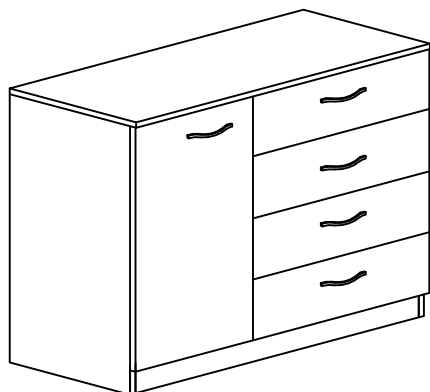
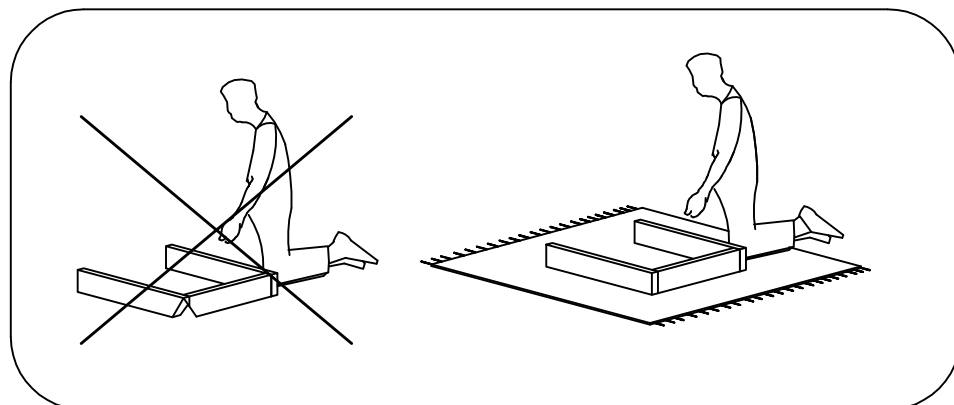
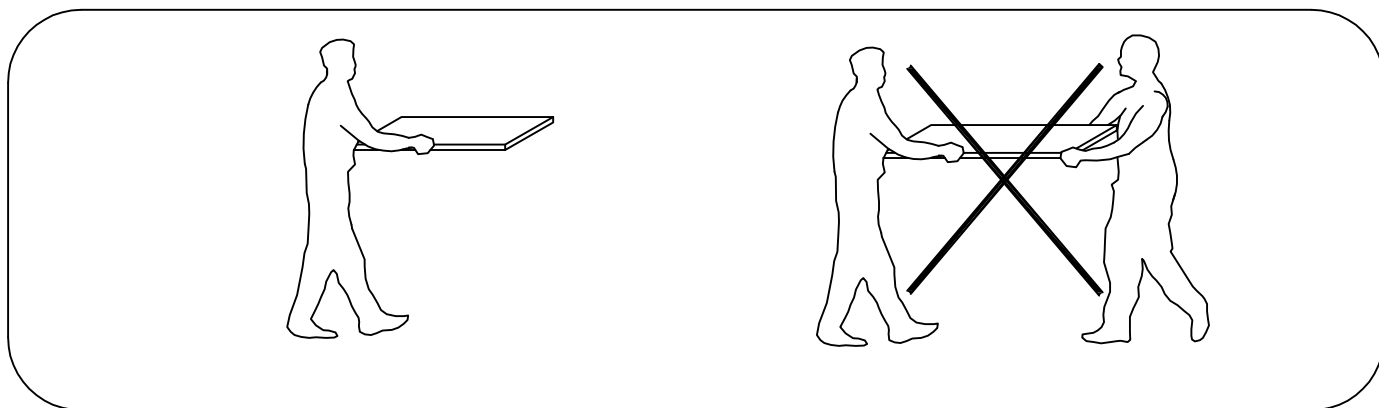
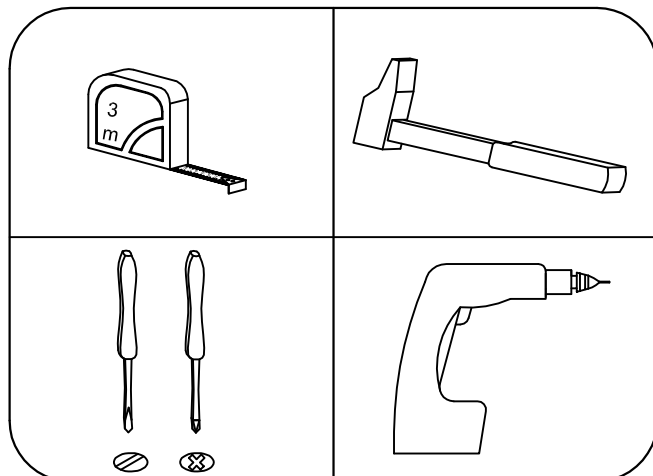
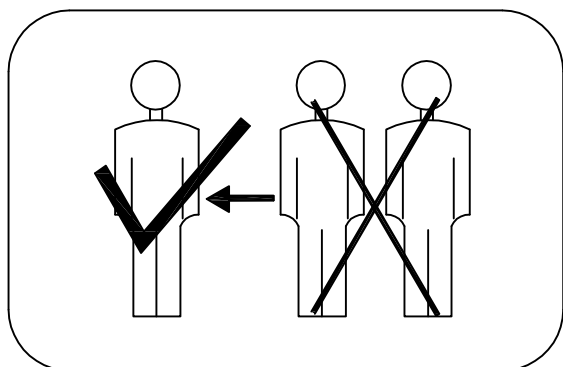


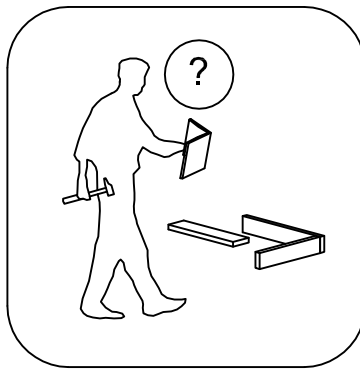
# City 3008

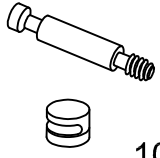
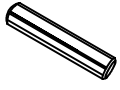
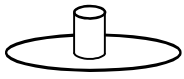
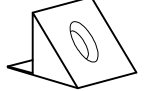


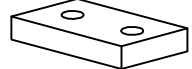

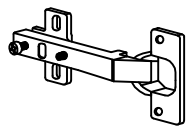
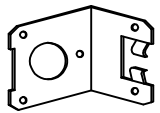
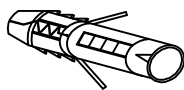
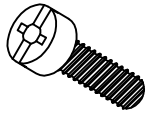
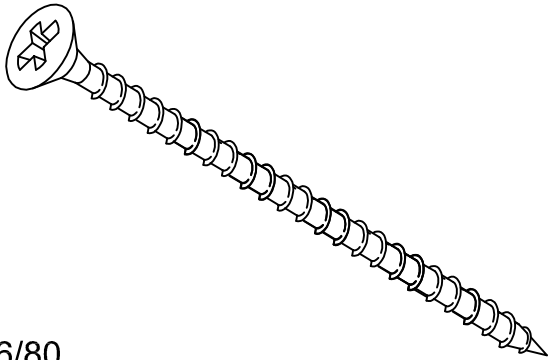
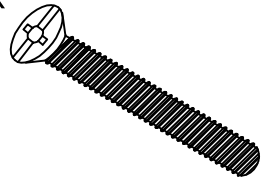
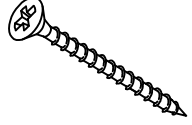


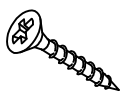



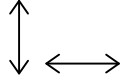
60 min.

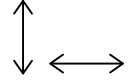


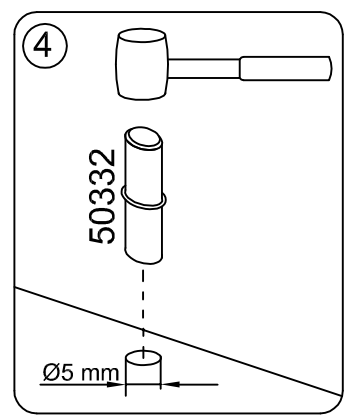
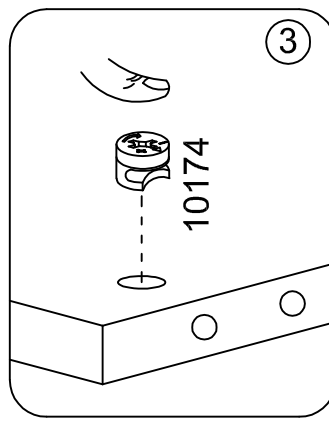
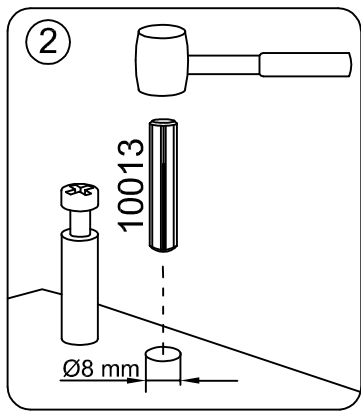
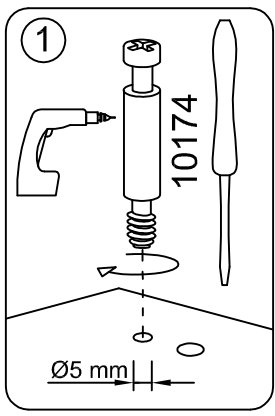
<http://www.irimbg.com/instructions/>



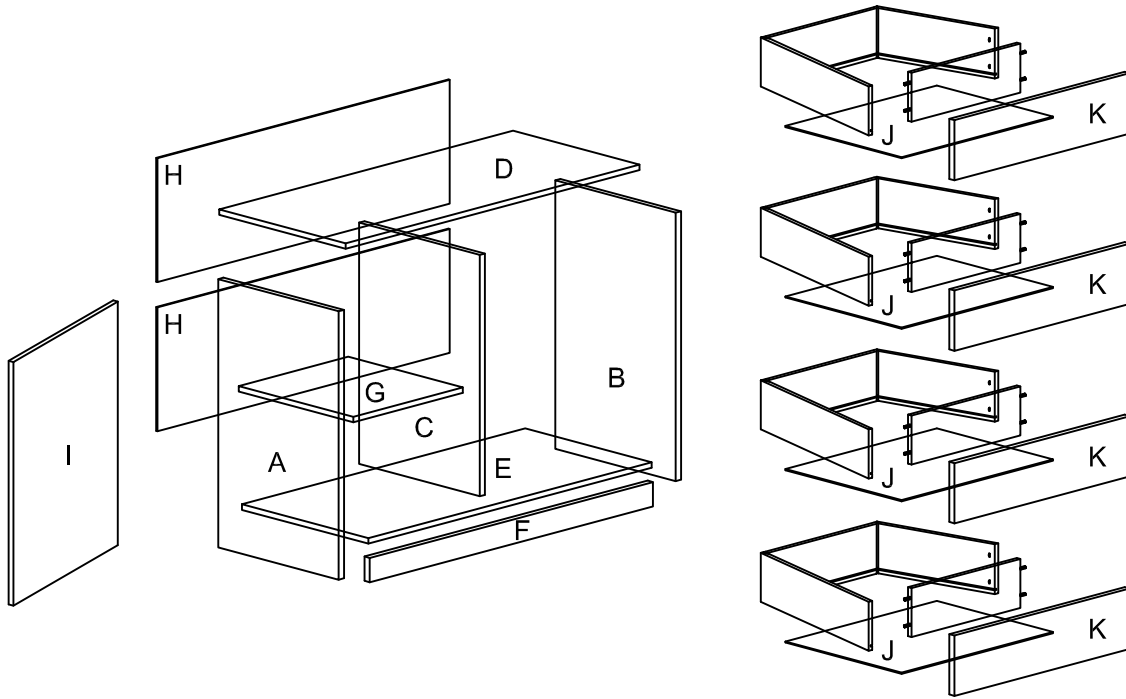
12x  10174	26x  $\Phi$ 8/30 10013	12x  50317	16x  50505
4x  L 400 mm 50955	5x  20111	4x  50246	4x  50332
2x  40158	2x  51066	2x  10060	2x  M 4/18 10186
2x  $\Phi$ 6/80 10021		8x  M 4x35 10053	8x  $\Phi$ 3,5/25 10003
29x  $\Phi$ 3,5/16 10001		9x  $\Phi$ 3,5/20 10002	
32x  $\Phi$ 3/16 10022		10033 	

		Box number
A	884x410	2/2
B	884x410	2/2
C	788x410	2/2
D	1000x430	1/2
E	968x410	1/2
F	968x 80	1/2
G	376x390	1/2

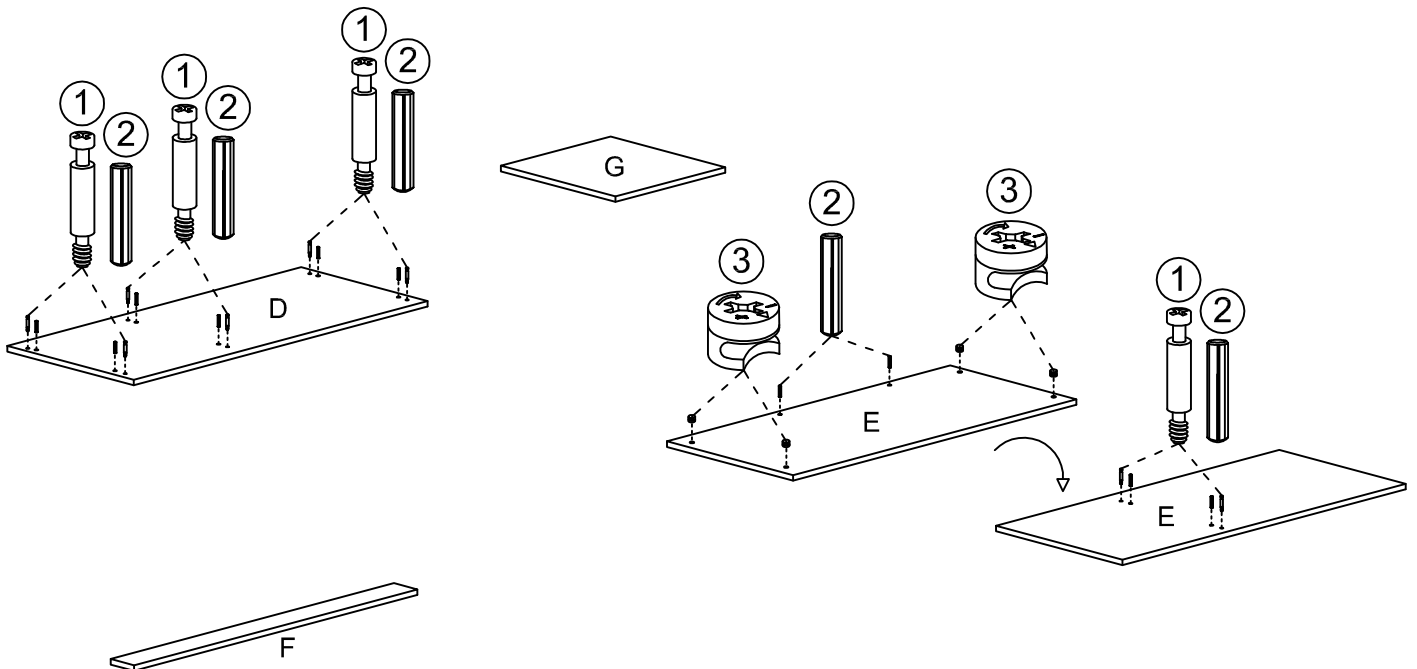
		Box number
H	2x 995x407	1/2
I	801x397	2/2
J	4x 536x385	2/2
K	4x 198x597	1,2/2

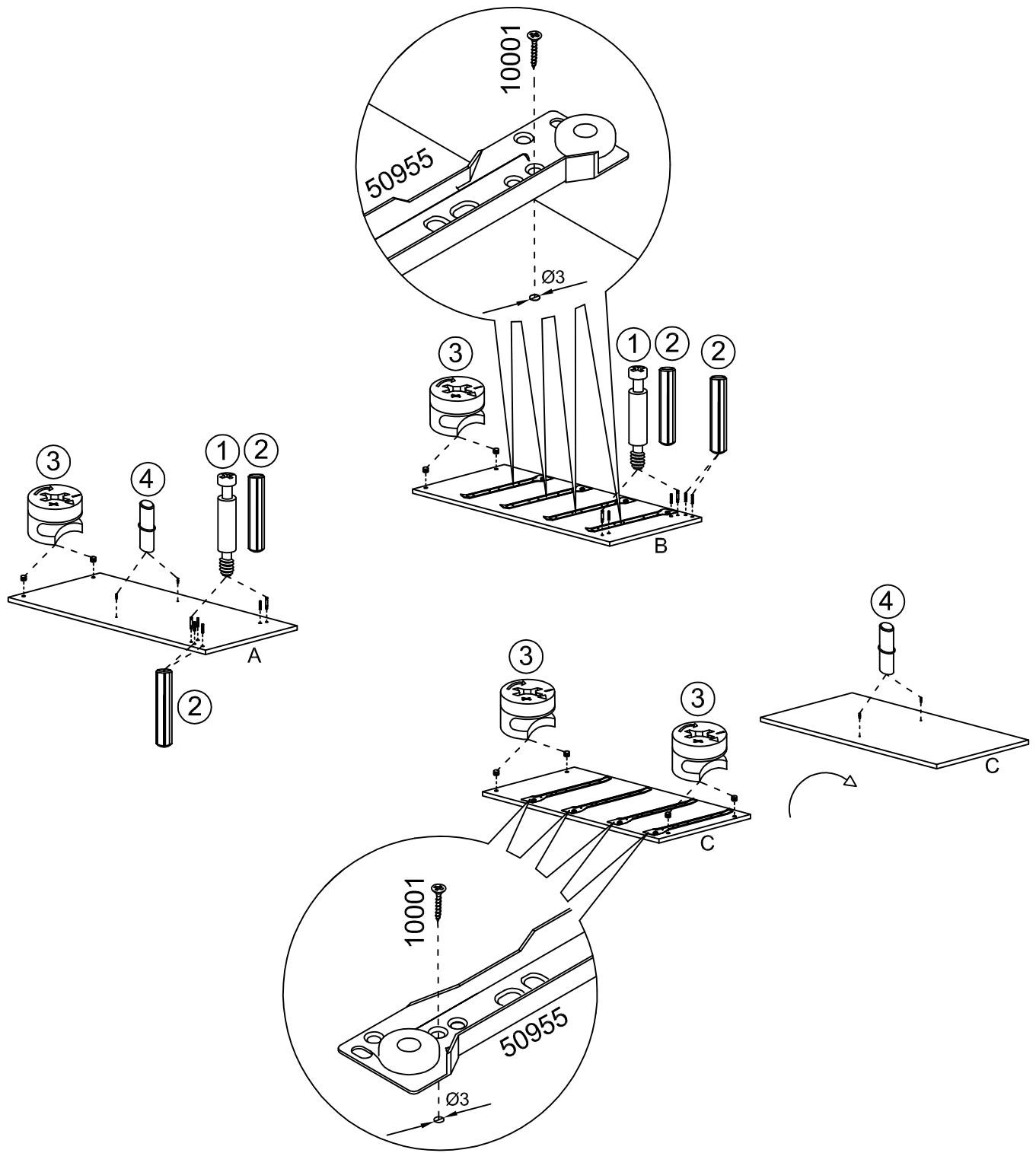


1

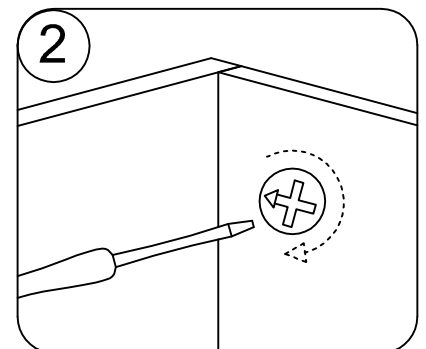
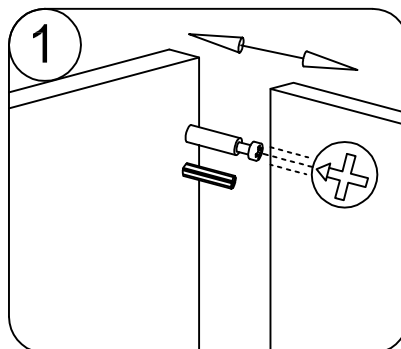
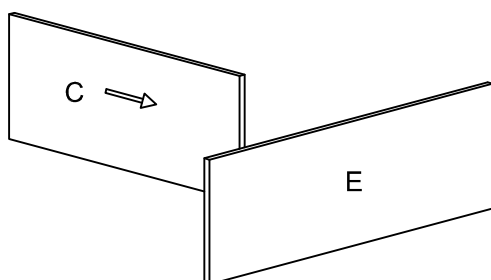


1.1

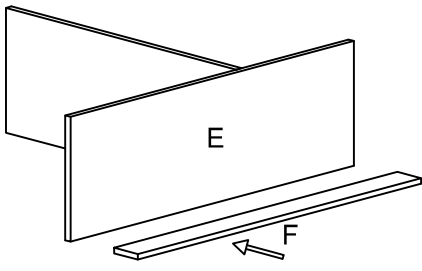




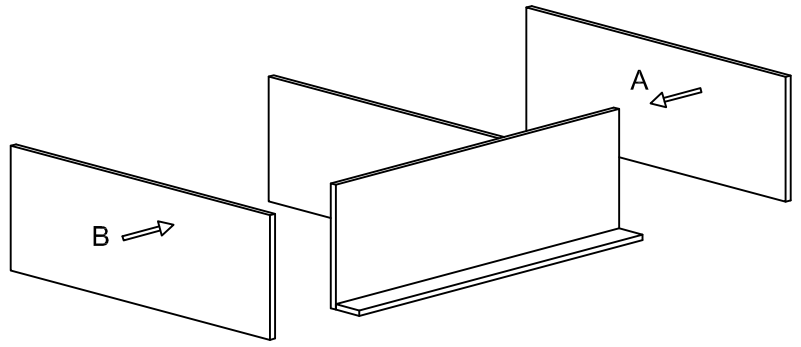
## 1.2



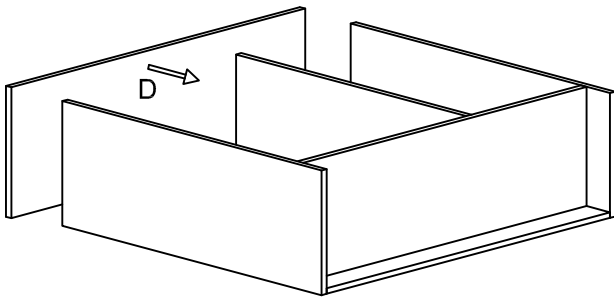
1.3



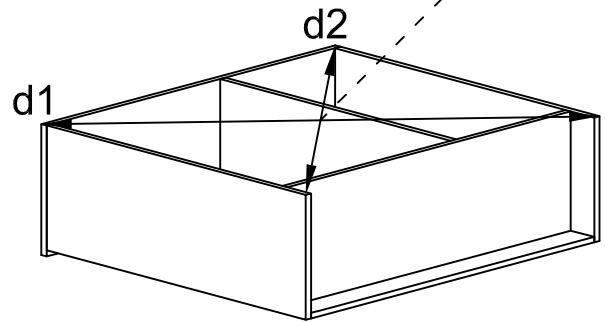
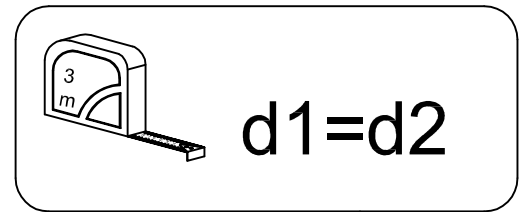
1.4



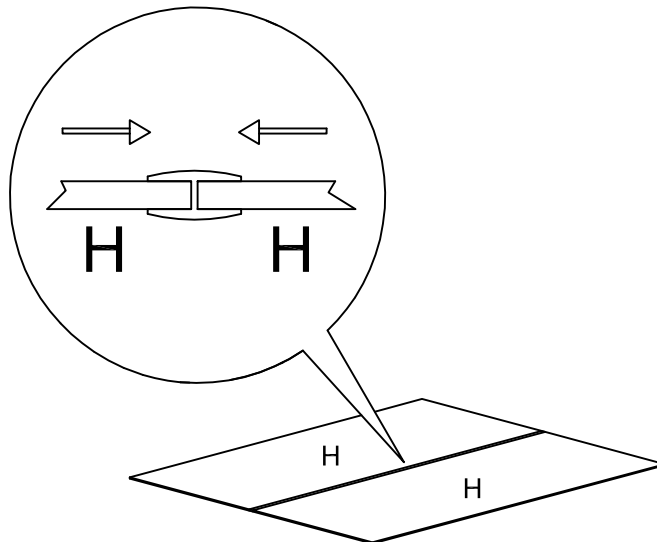
1.5



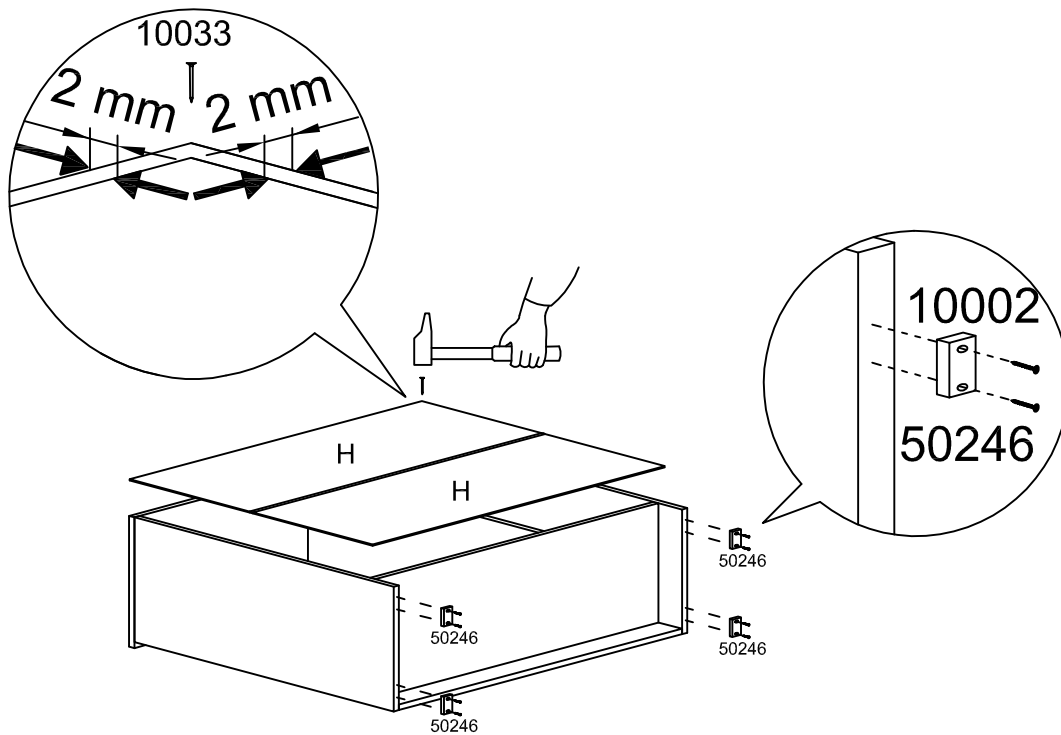
1.6



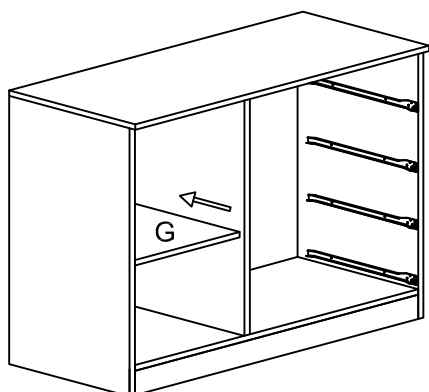
1.7



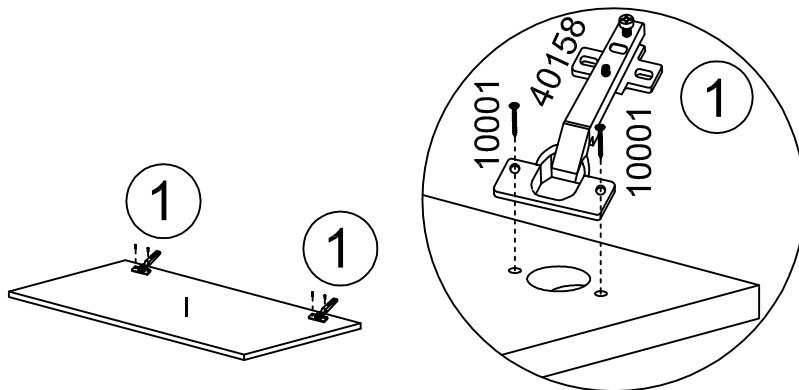
1.8



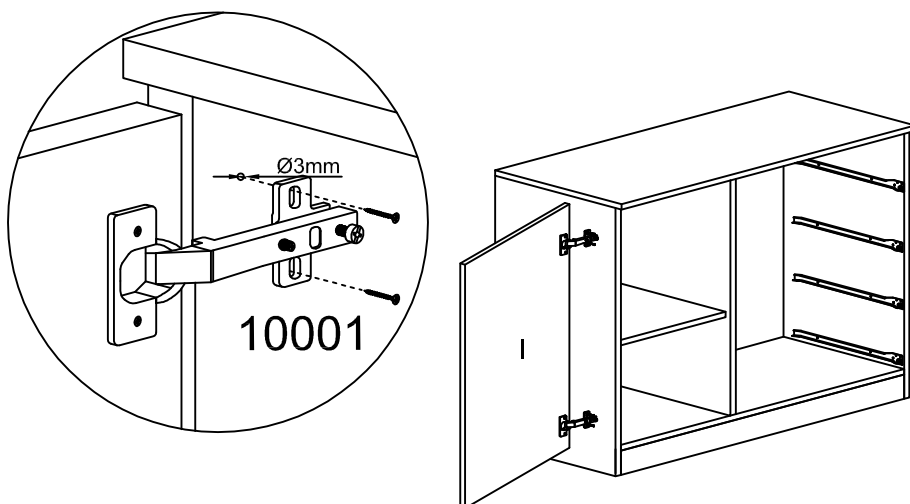
1.9



1.10



1.11



1.12

