




















Landscape

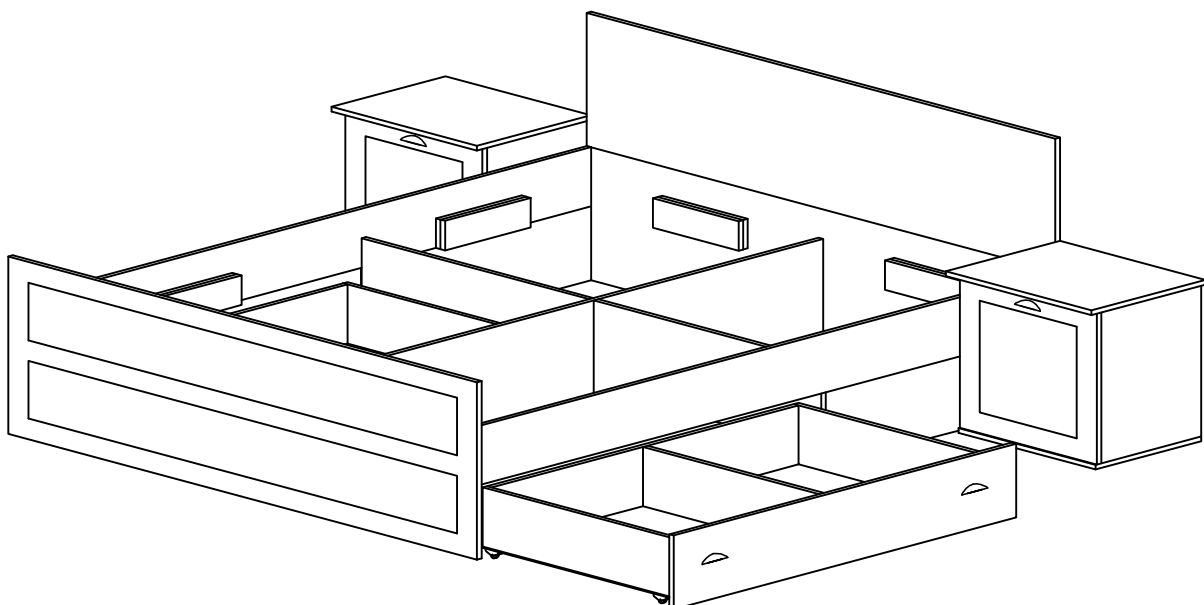
A	804x250	4/7
B	804x250	4/7
C	2010x350	4/7
D/d	2x 797x350	4/7
E	2010x200	3/7
F	2010x200	3/7
G	1642x600	1/7
H/H1	2x 1642x450	2/7
h	3x 450x100	4/7
I	16x 300x100	4,5/7
J	4x 100x100	3/7

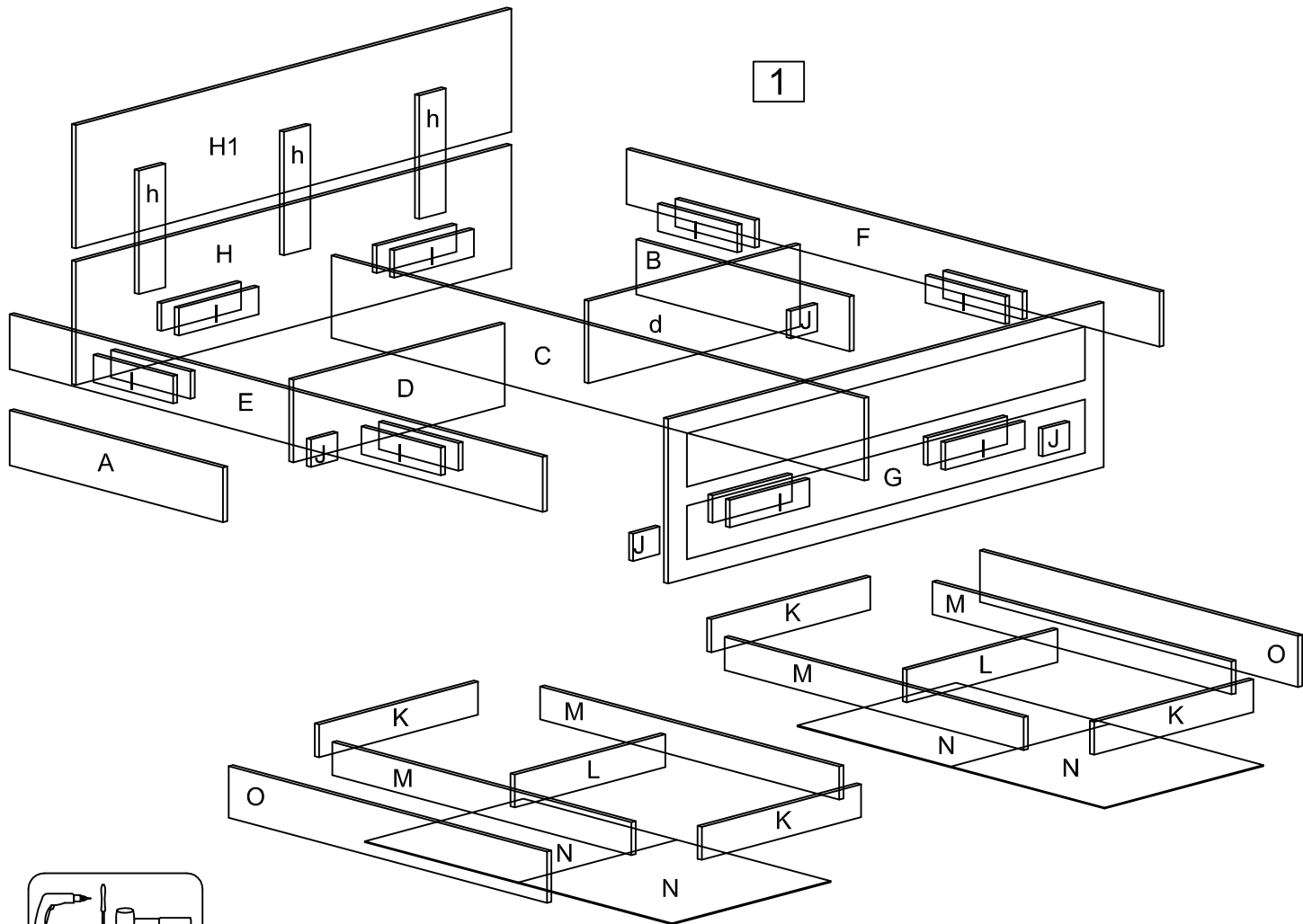
K	4x 600x170	3/7
L	2x 568x170	5/7
M	4x 1128x170	3/7
N	4x 597x579	1/7
O	2x 1200x237	5/7
P	4x 518x360	6/7
Q	2x 480x380	6/7
R	2x 510x400	6/7
S	4x 272x475	1/7
T	2x 448x340	6/7
U	2x 513x477	7/7

50x  10174	8x  L=68mm 10258	2x  L=86mm 10072	4x  Φ 8/20 10164	66x  Φ 8/30 10260	70x  50317	8x  50332	6x  20347	
20x  50738	12x  50371	2x  50434	6x  50765	4x  40158	6x  M 6/25 10195	8x  M 4/35 10053	4x  M 4/20 10063	
48x  Φ 3,5/30 10004	56x  Φ 3,5/16 10001	 10033						

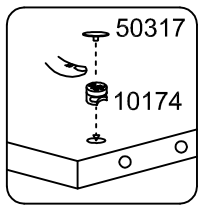
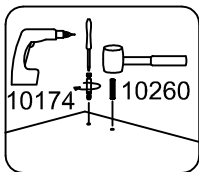


<http://www.irimbg.com/instructions/>

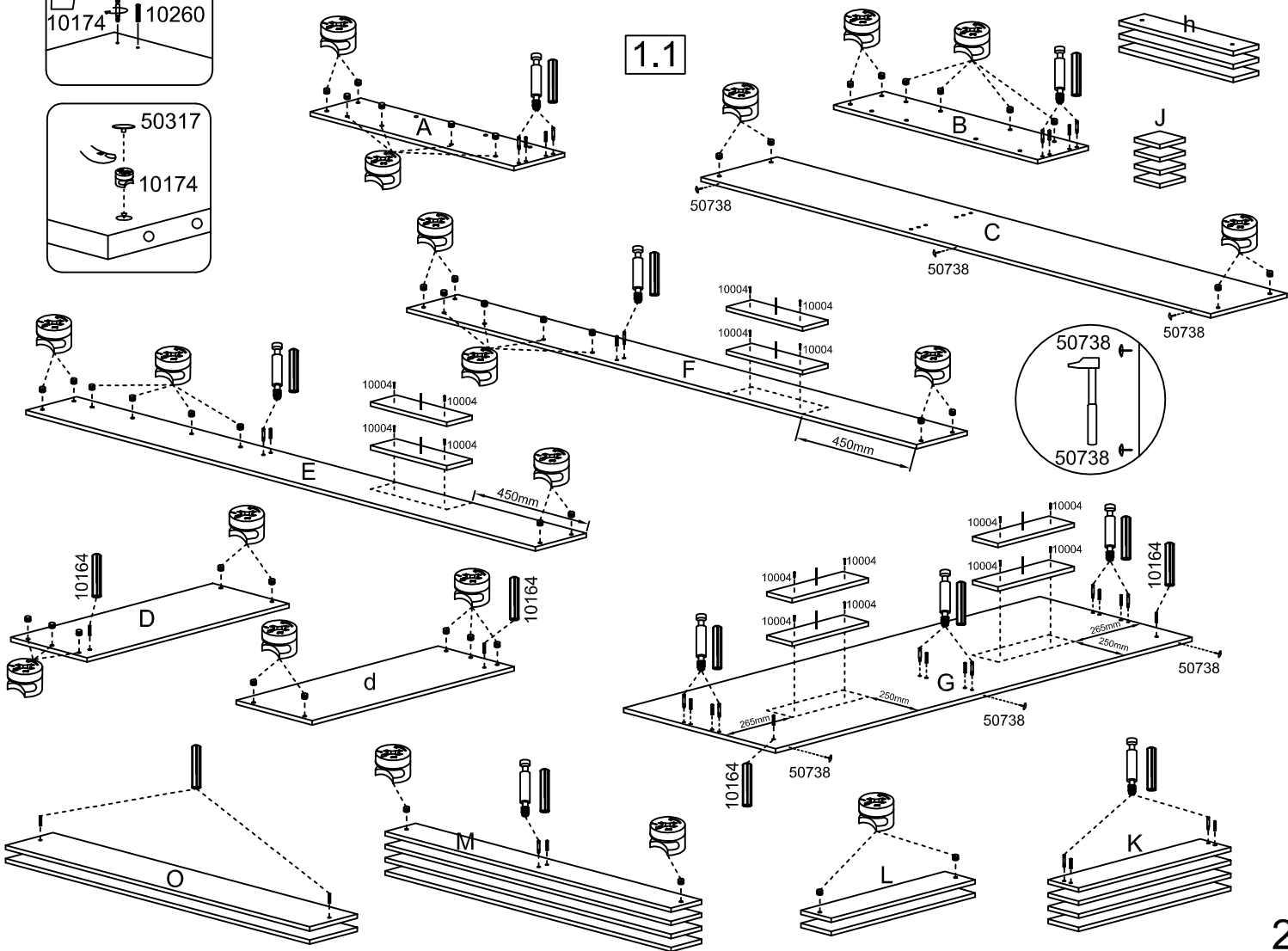




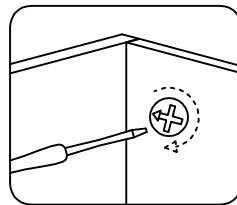
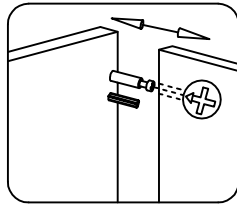
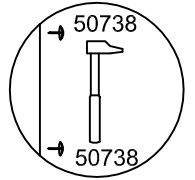
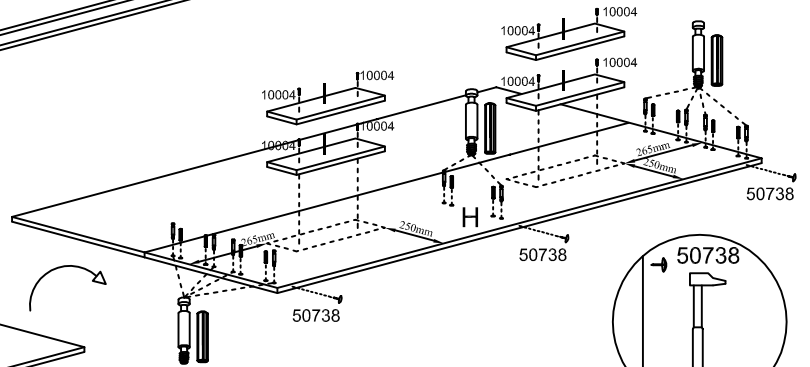
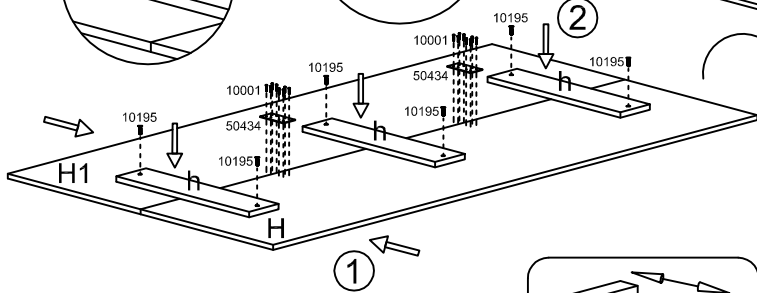
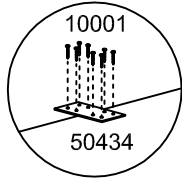
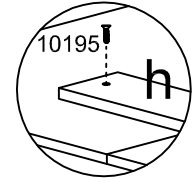
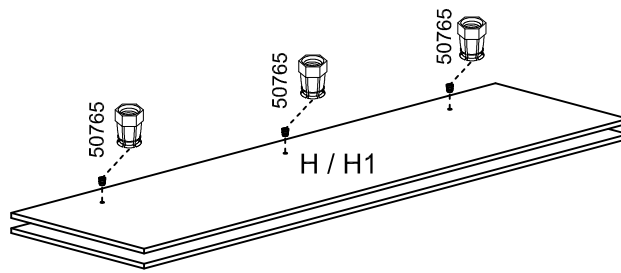
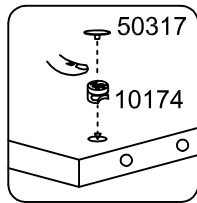
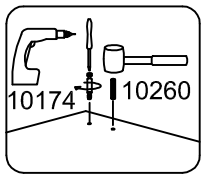
1



1.1

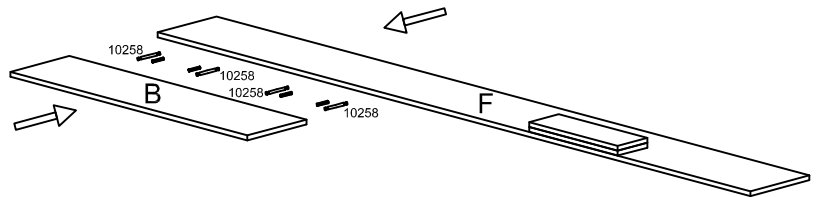
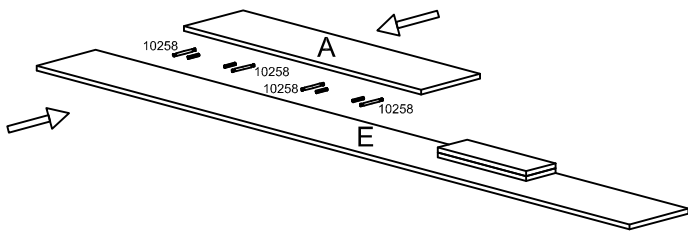
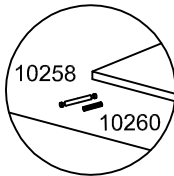


2

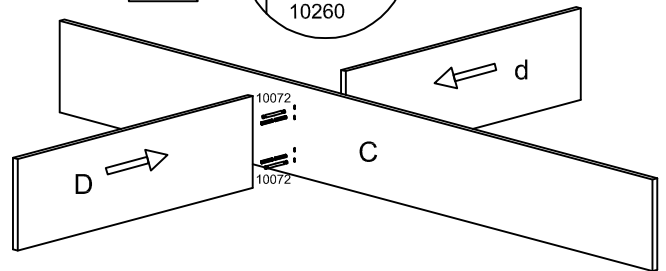
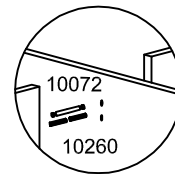


1.3

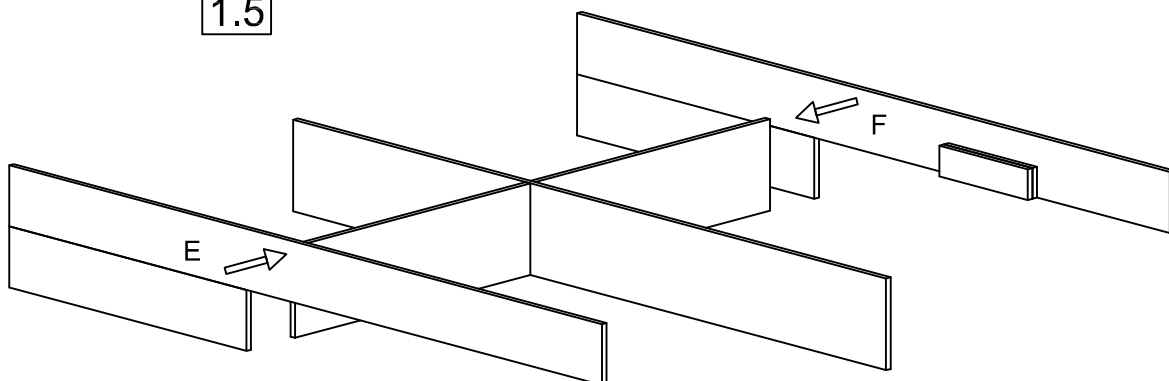
1.2



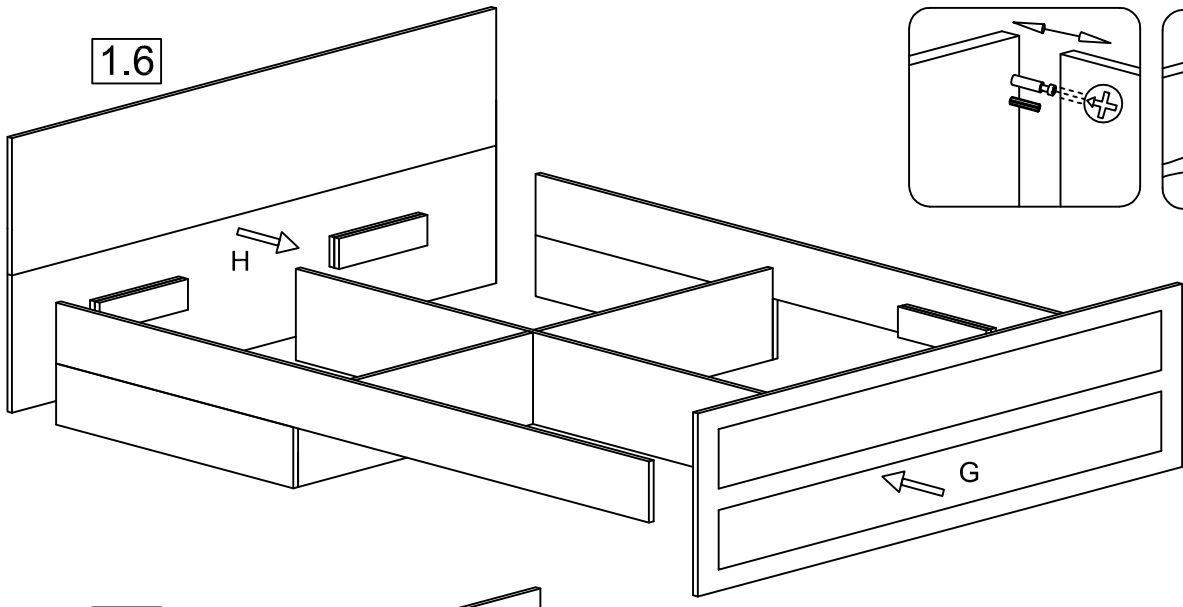
1.4



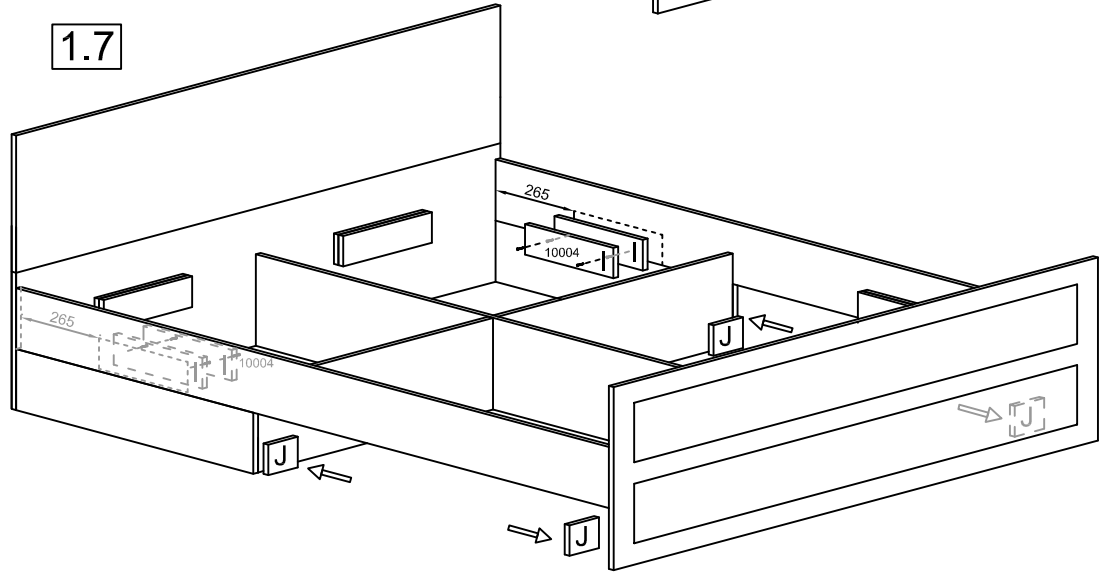
1.5



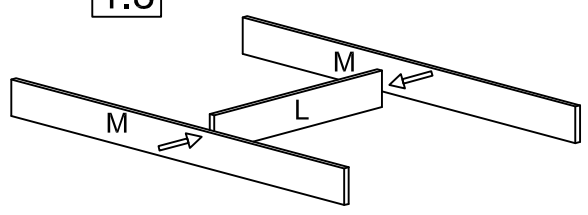
1.6



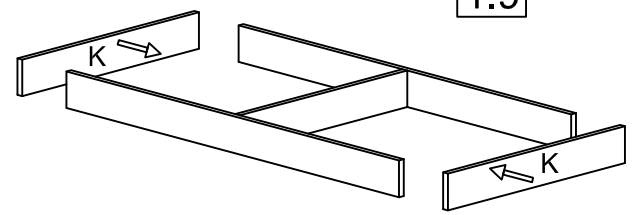
1.7



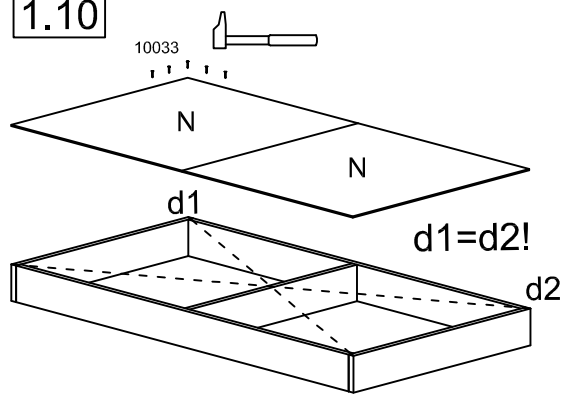
1.8



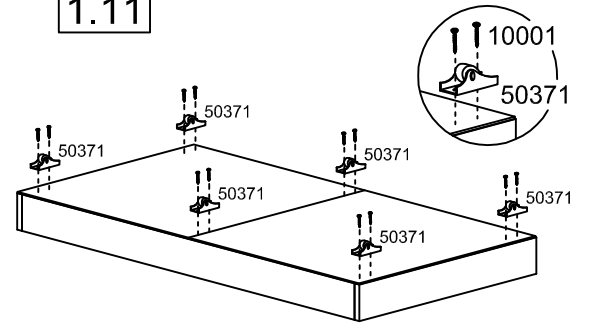
1.9



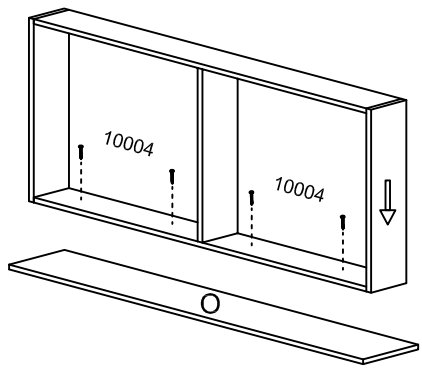
1.10



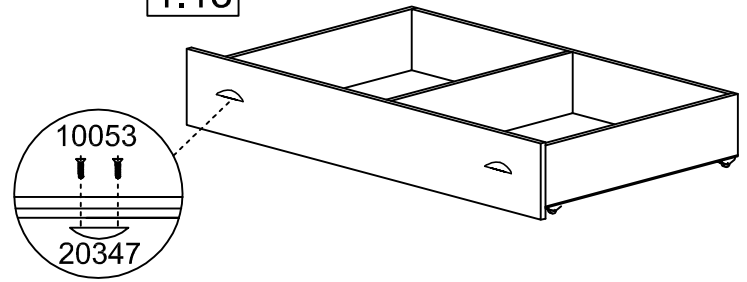
1.11



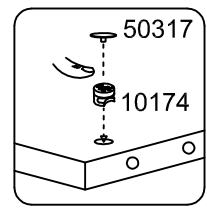
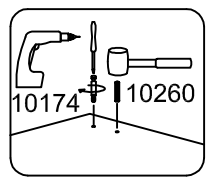
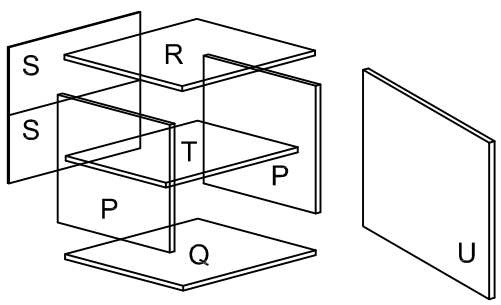
1.12



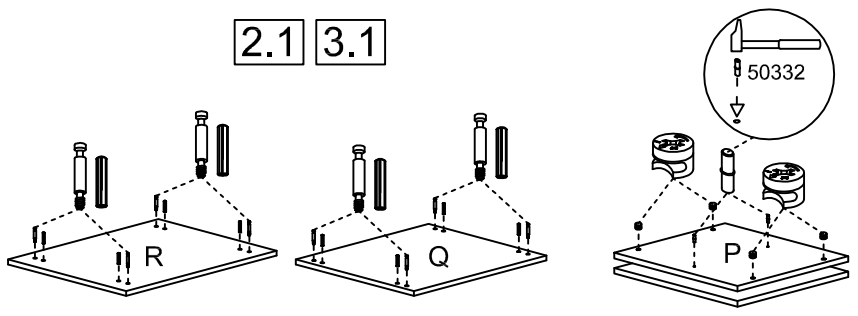
1.13



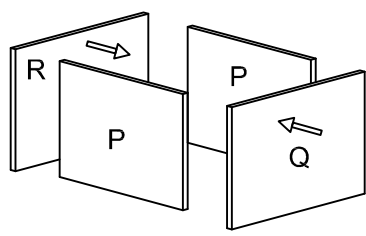
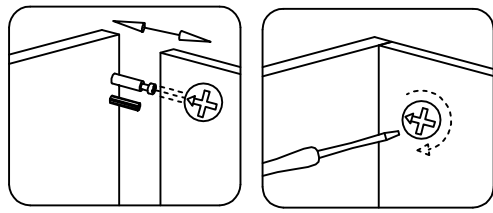
2 3



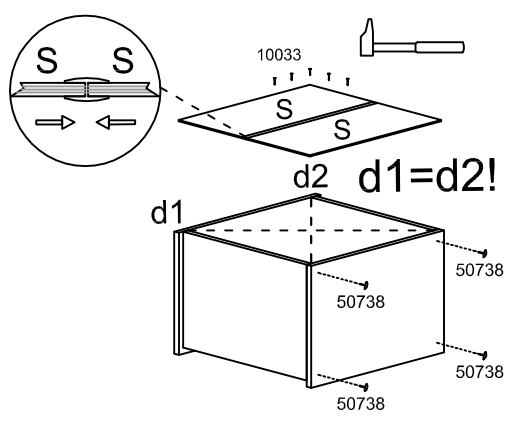
2.1 3.1



2.2 3.2



2.3 3.3



2.4 3.4

