
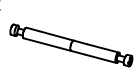


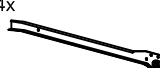

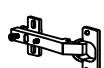
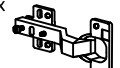









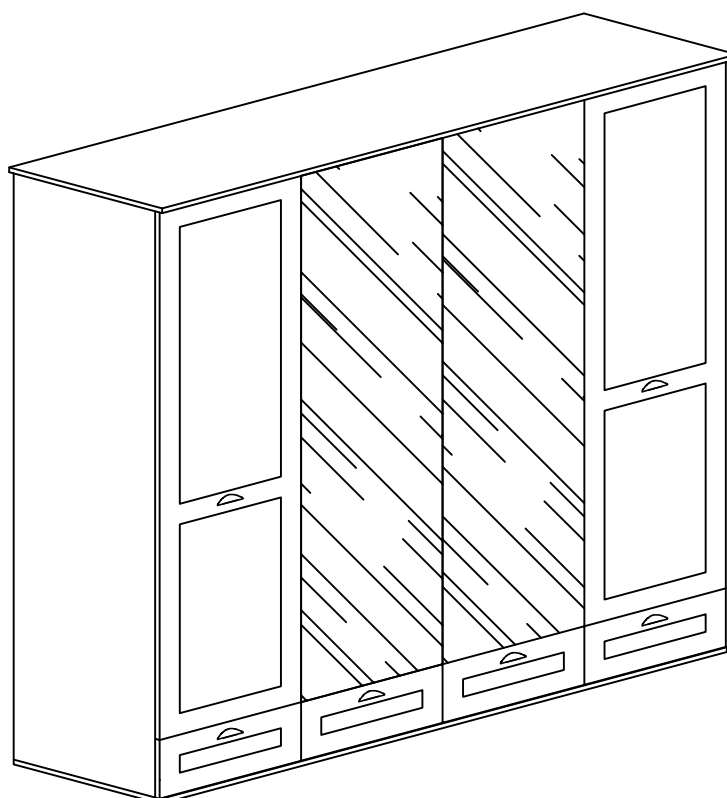


# Landscape

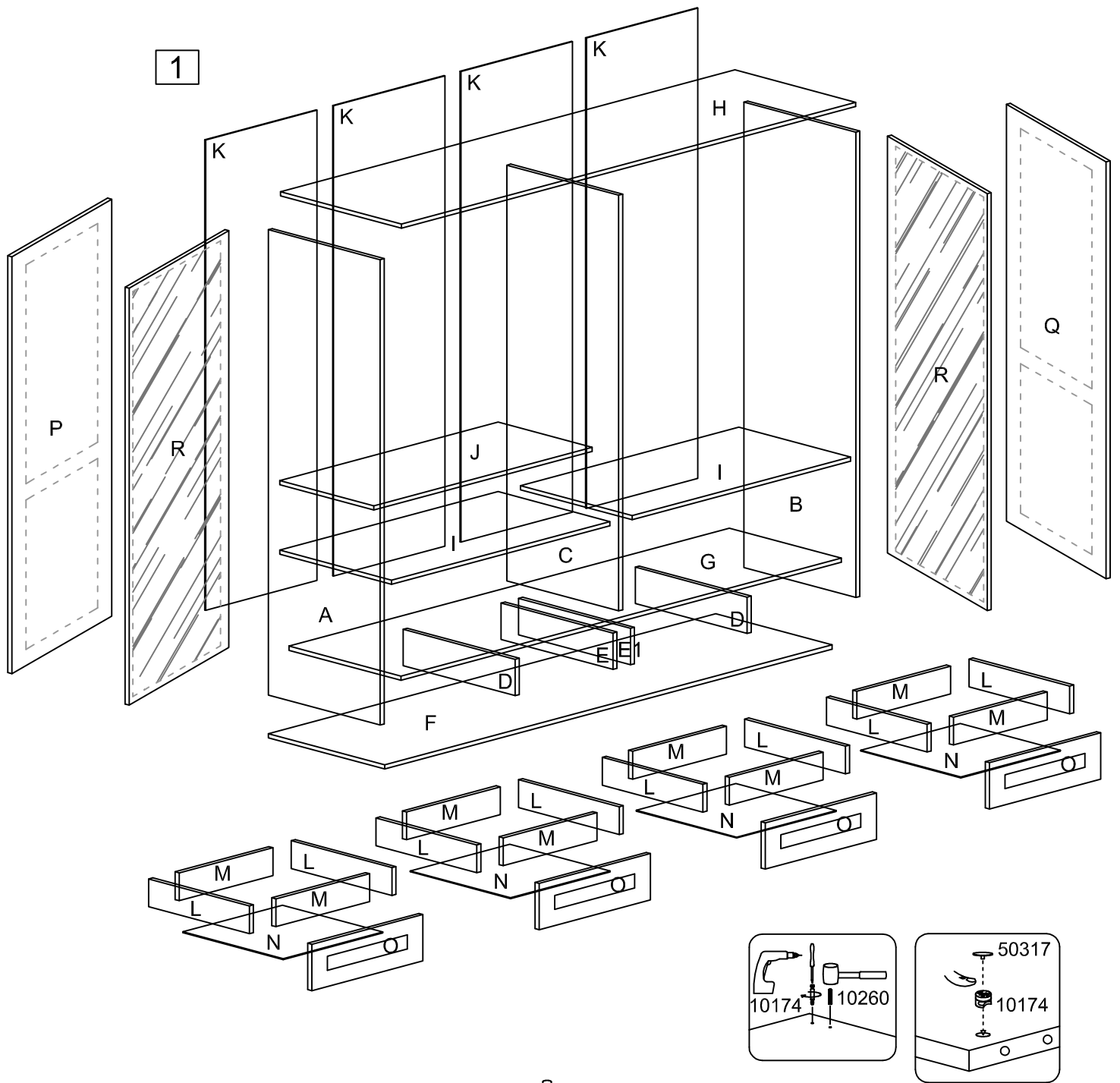
A	2008x500	1/7
B	2008x500	1/7
C	1794x500	2/7
D	2x 198x500	2/7
E/E1	2x 198x500	2/7
F	2000x520	5/7
G	1968x500	5/7
H	2030x540	4/7
I	2x 976x500	3/7
J	976x420	2/7
K	4x 2030x498	4/7
L	8x 450x120	3/7
M	8x 419x120	3/7
N	4x 448x445	4/7
O	4x 200x497	3/7
P	1799x497	6/7
Q	1799x497	6/7
R	2x 1799x497	7/7

52x  10174	2x  L=86mm 10072	64x  Φ 8/30 10260	56x  50317	4x  L= 450mm 50956	6x  20347	8x  40158	8x  40159
8x  50738	4x  50011	4x  50332	12x  M 4/20 10063	8x  Φ 3,5/30 10004	36x  Φ 3,5/20 10002	108x  Φ 3,5/16 10001	4x  50632
 10033							

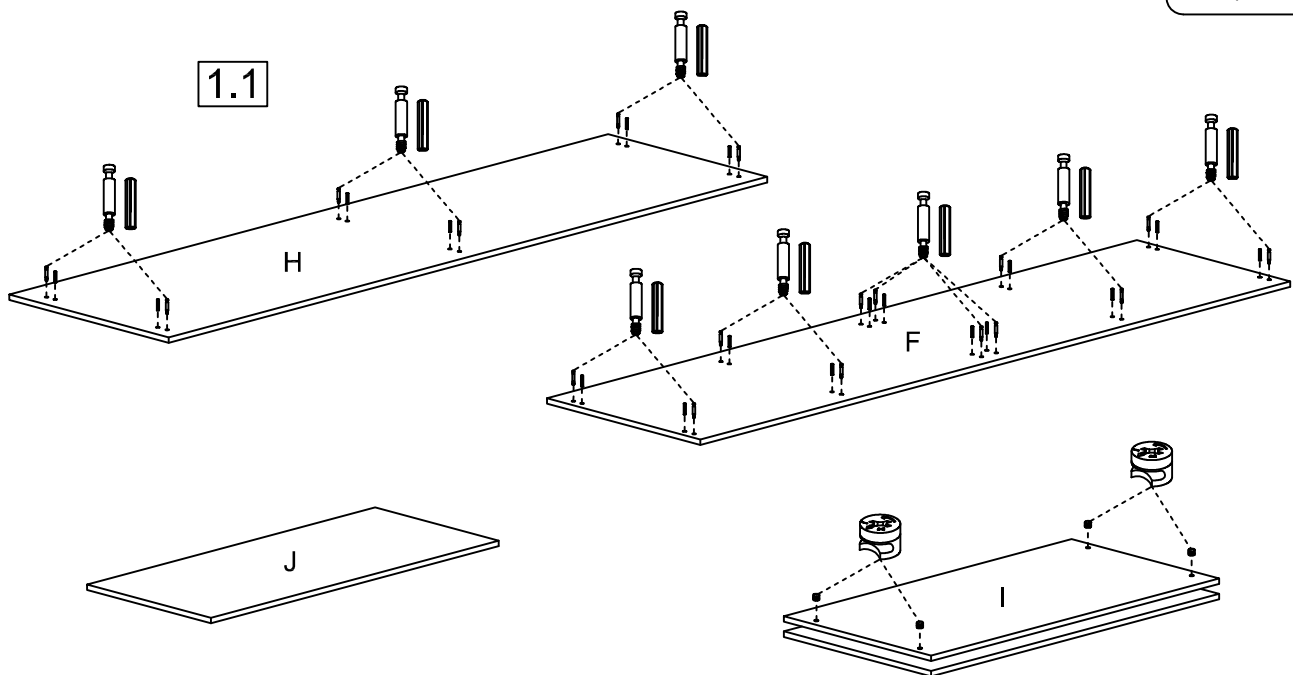


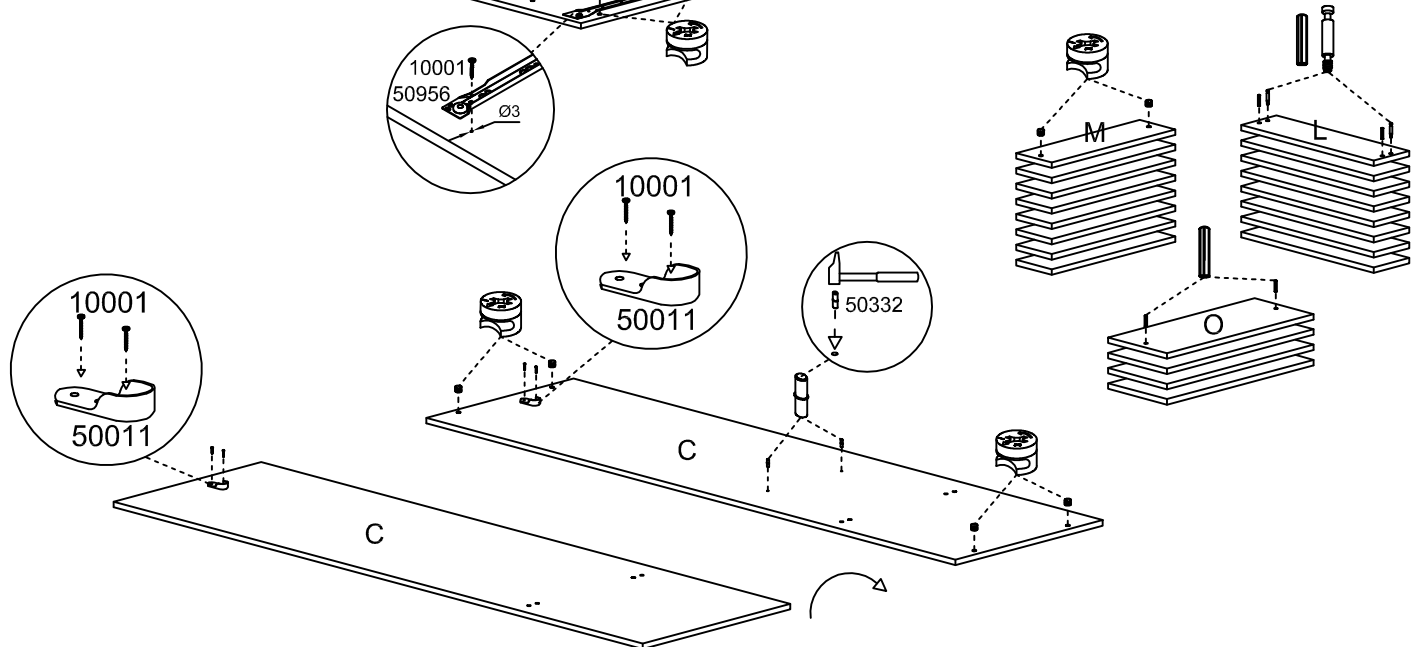
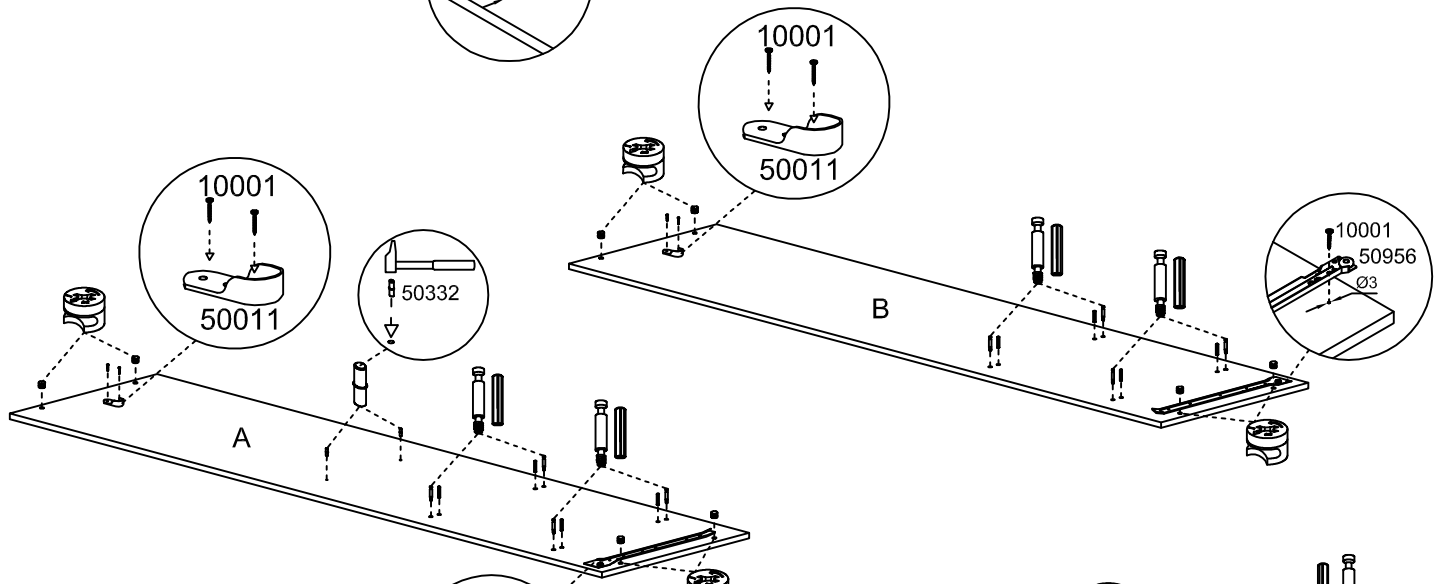
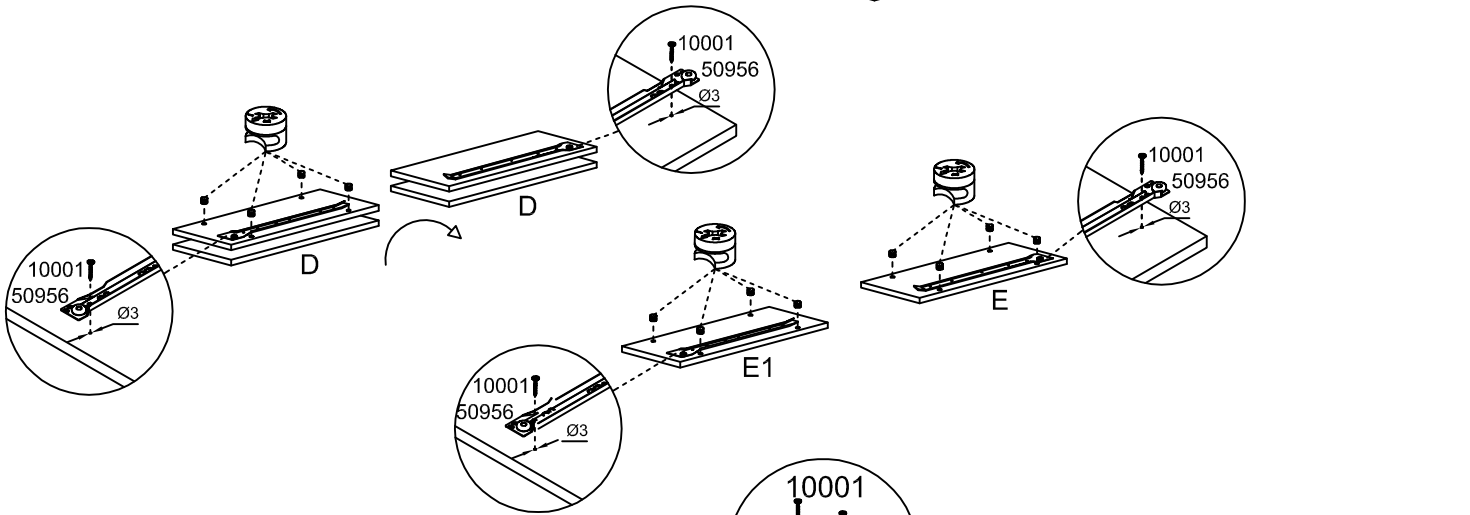
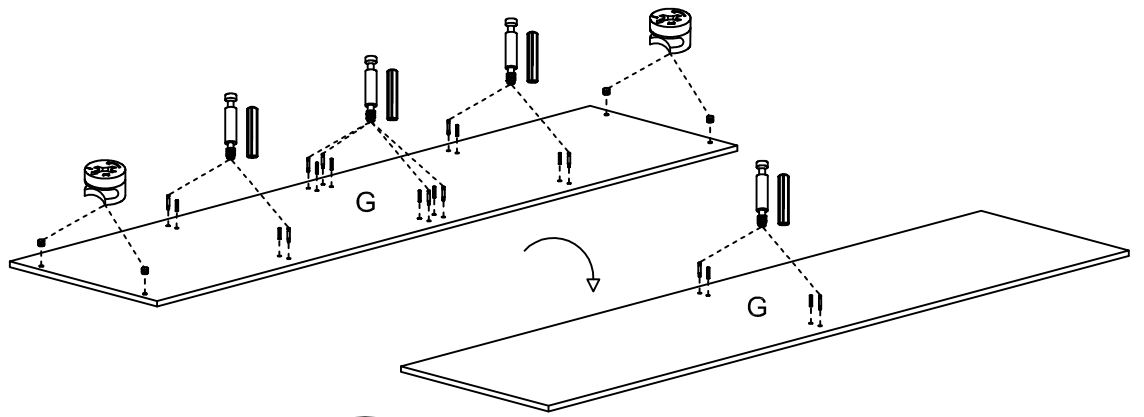
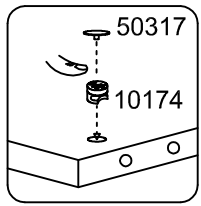
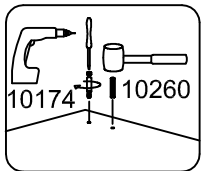
<http://www.irimbg.com/instructions/>

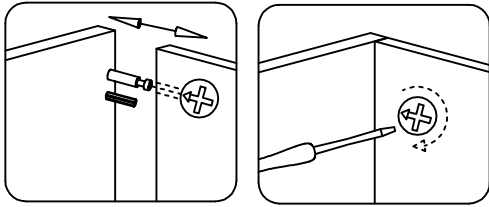
1



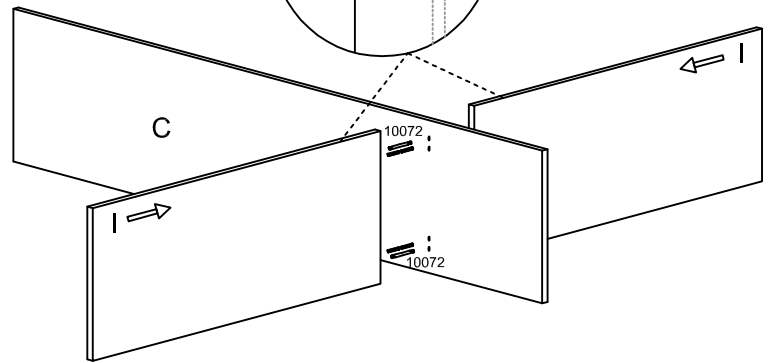
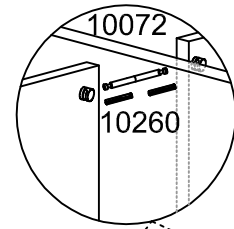
1.1



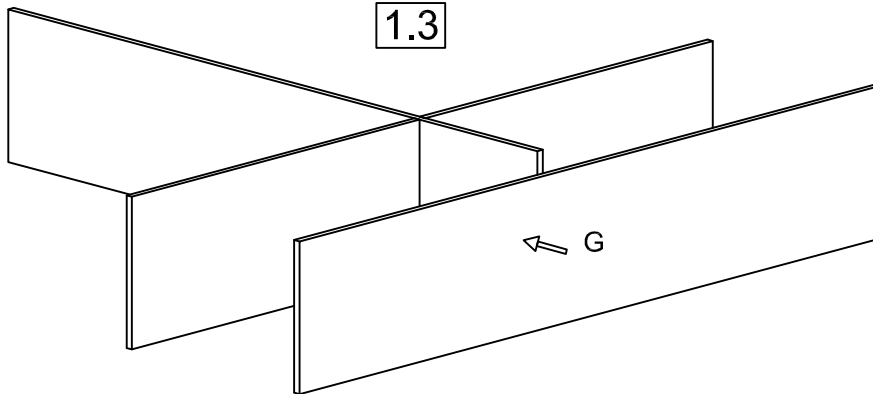




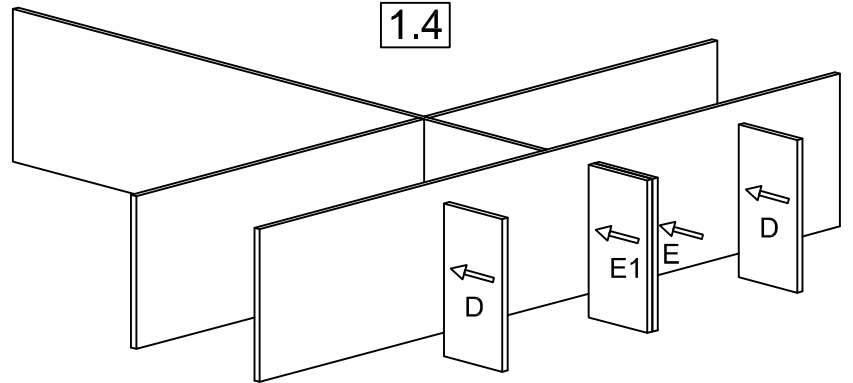
1.2



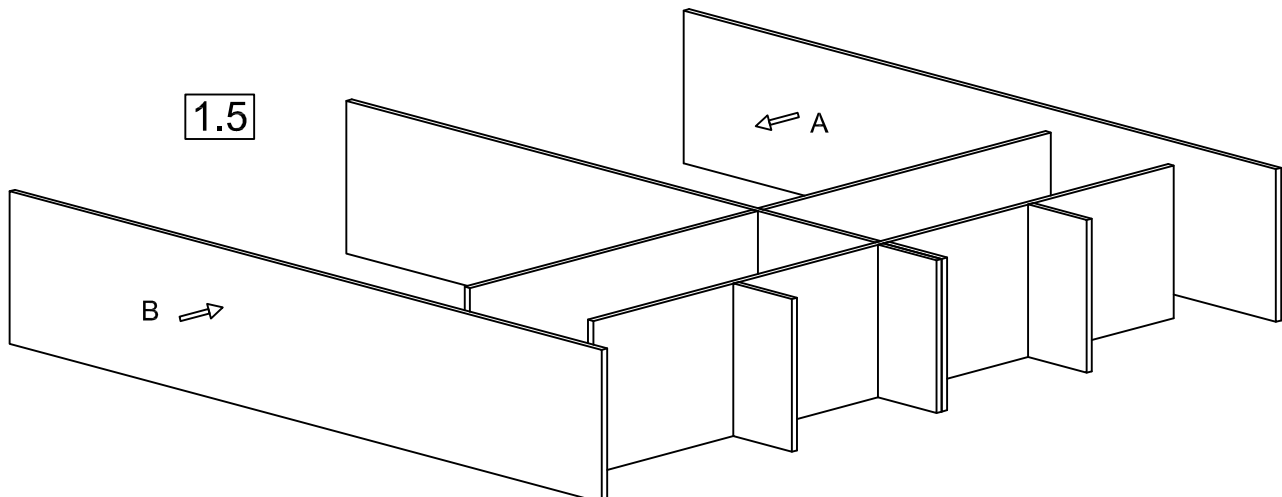
1.3

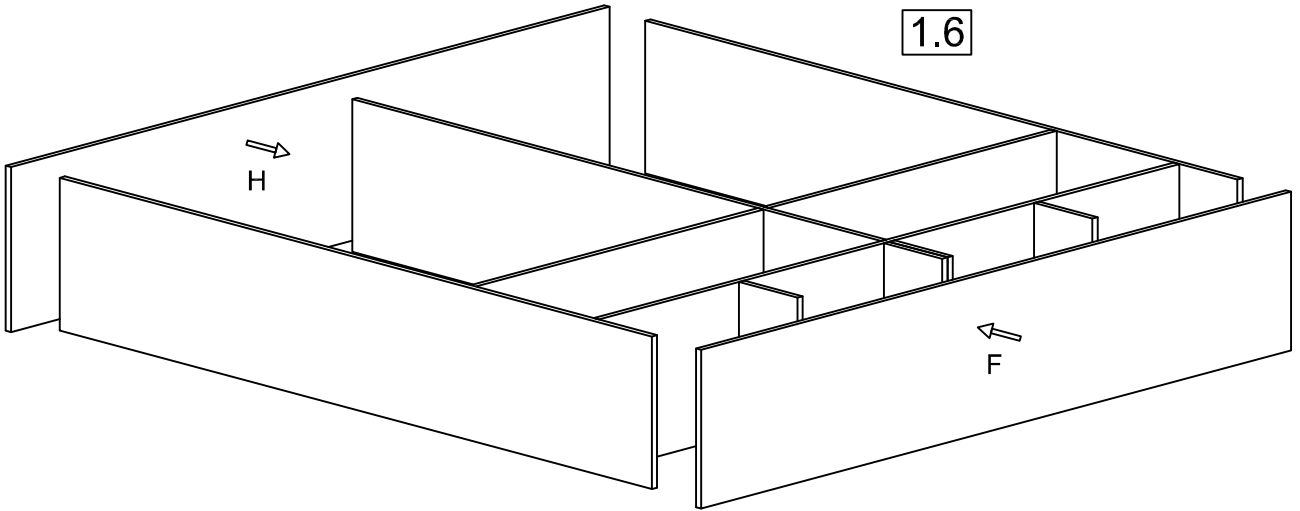
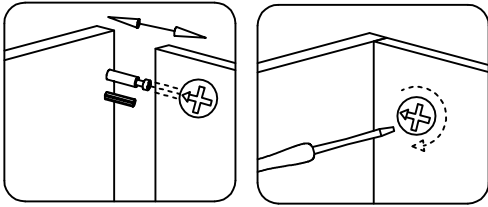


1.4



1.5

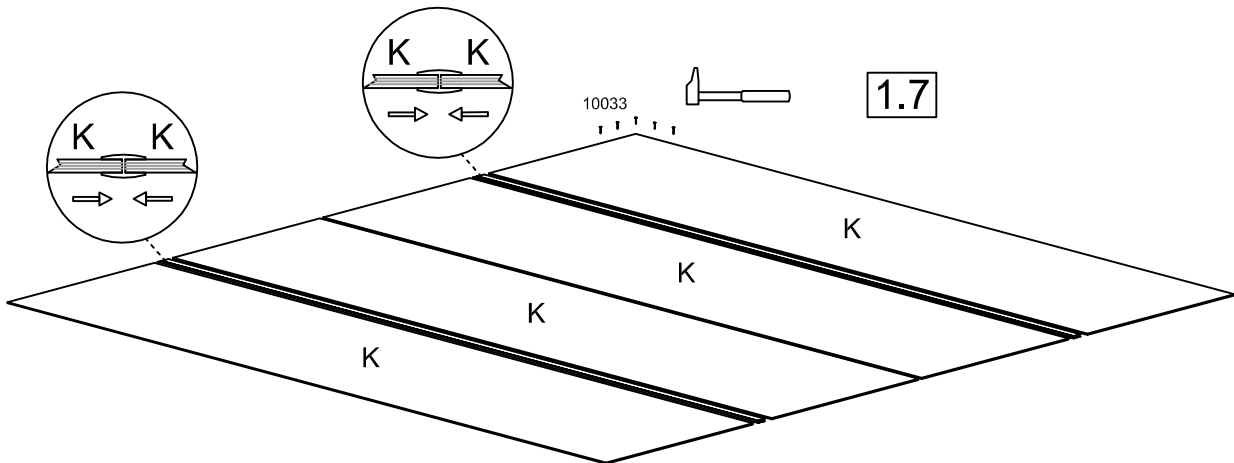




1.6

H

F



1.7

10033

K K

K K

K

K

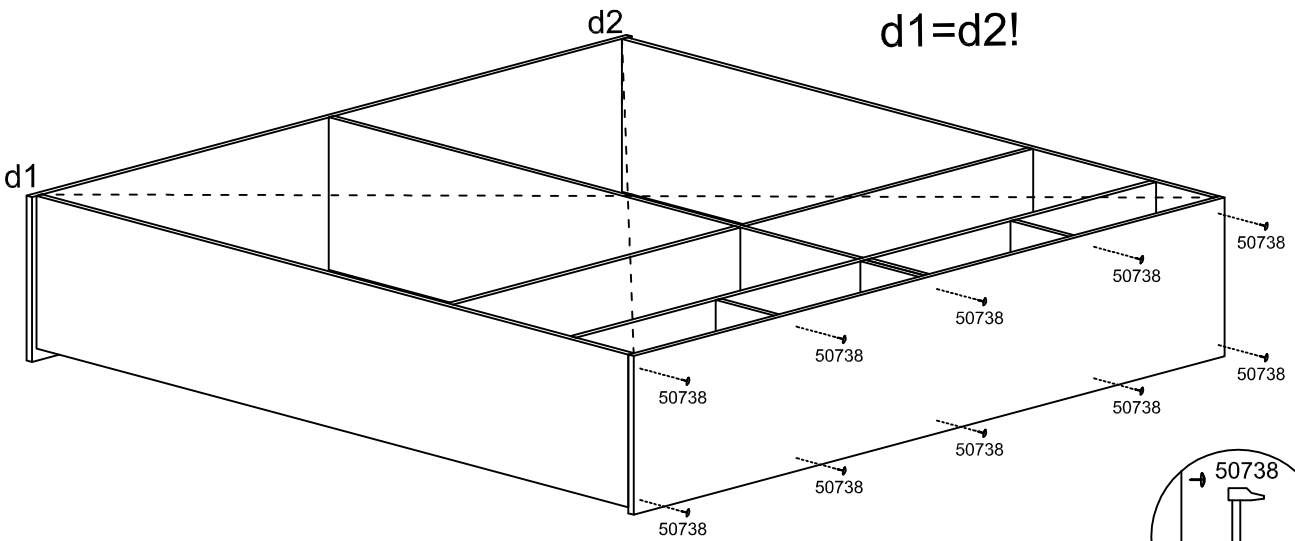
K

K

d2

d1=d2!

d1



50738

50738

50738

50738

50738

50738

50738

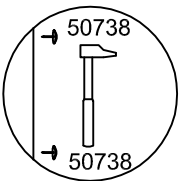
50738

50738

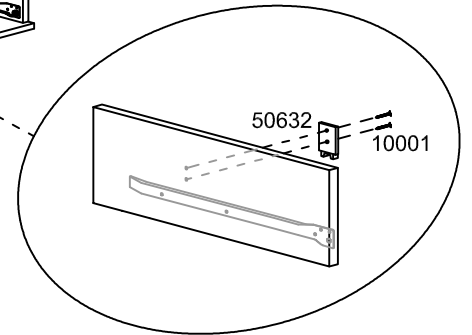
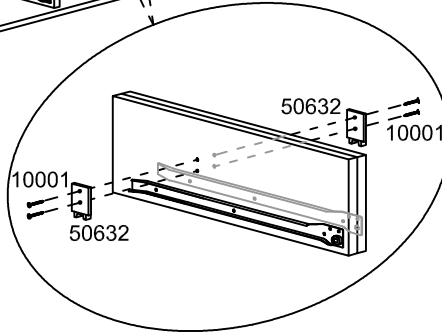
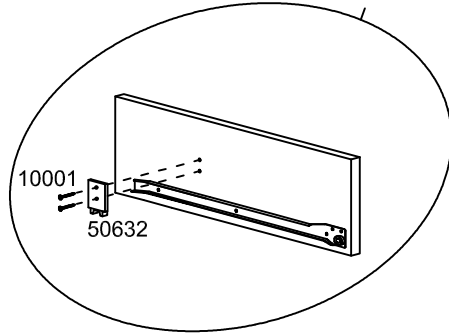
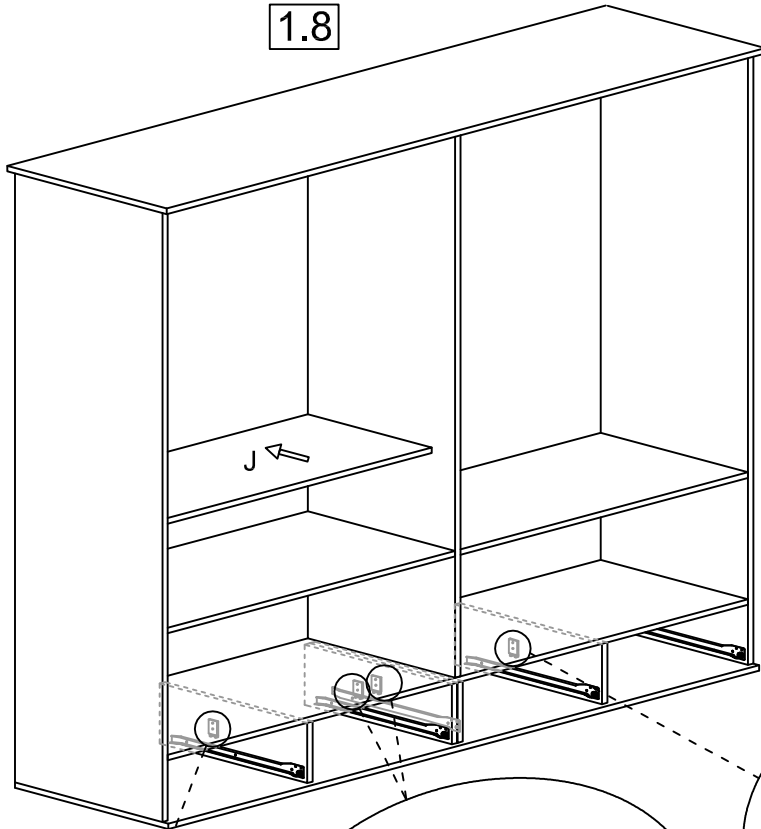
50738

50738

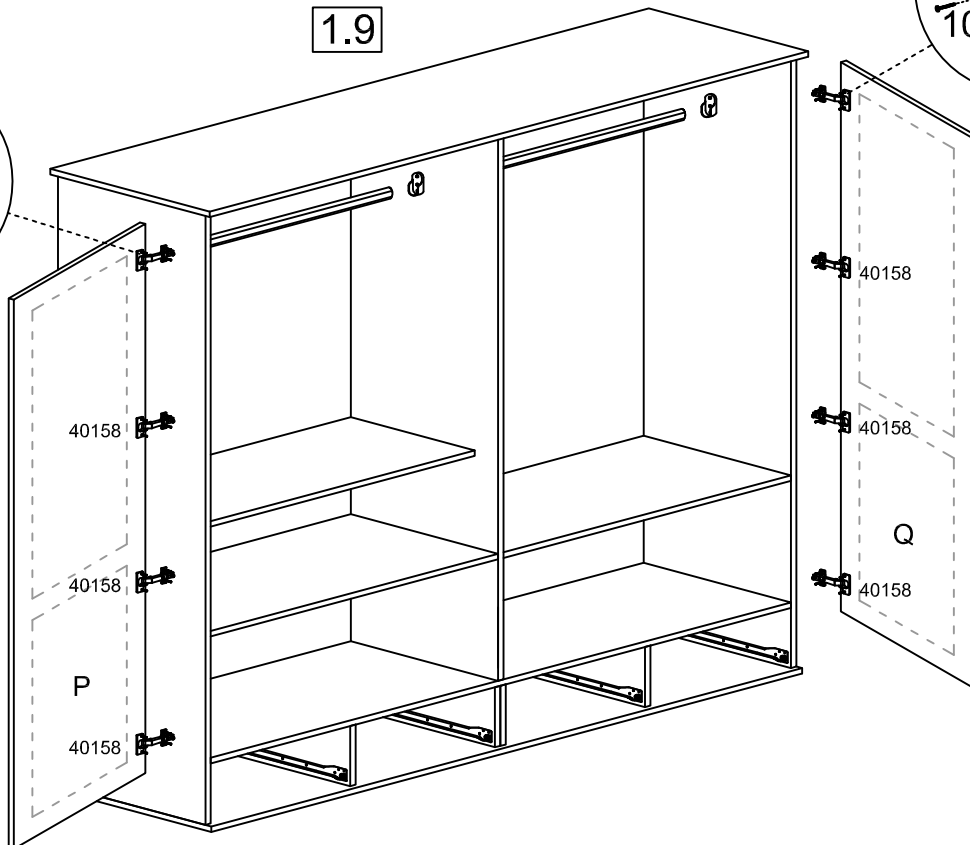
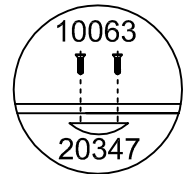
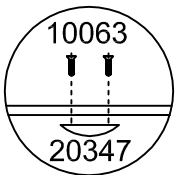
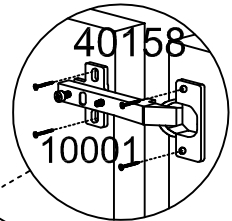
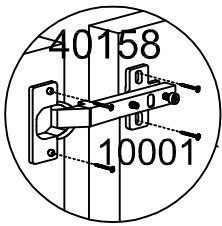
50738

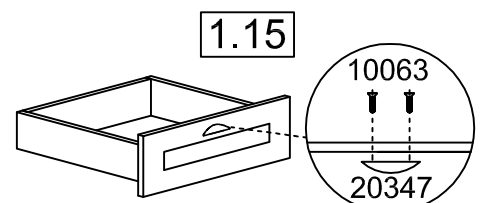
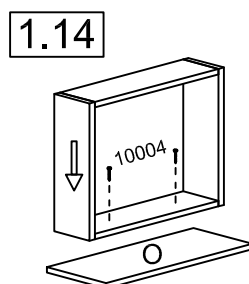
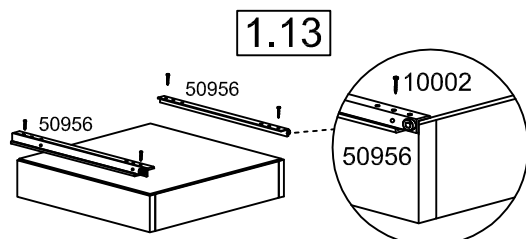
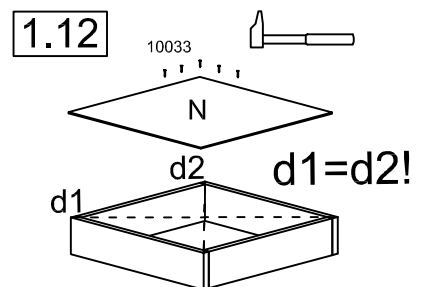
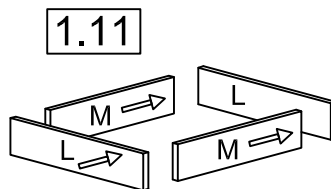
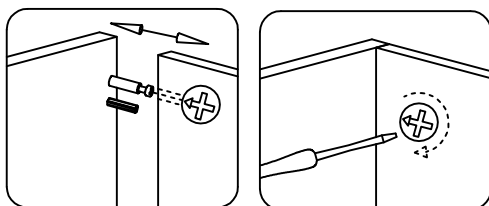
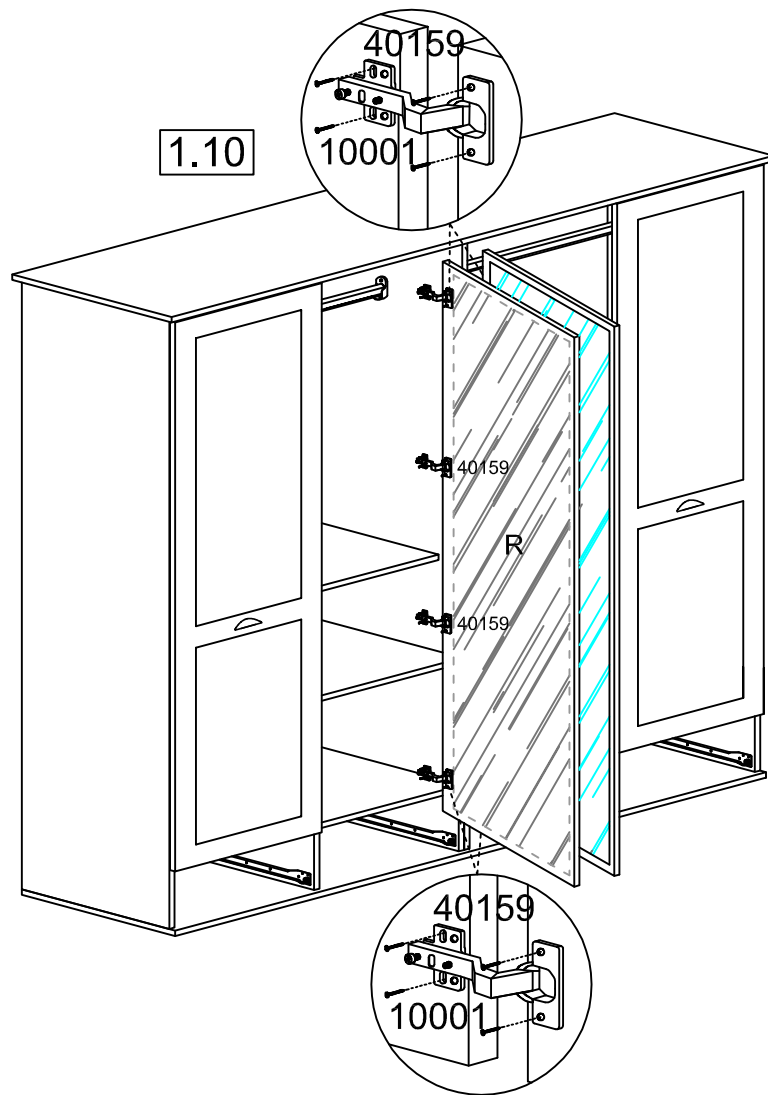


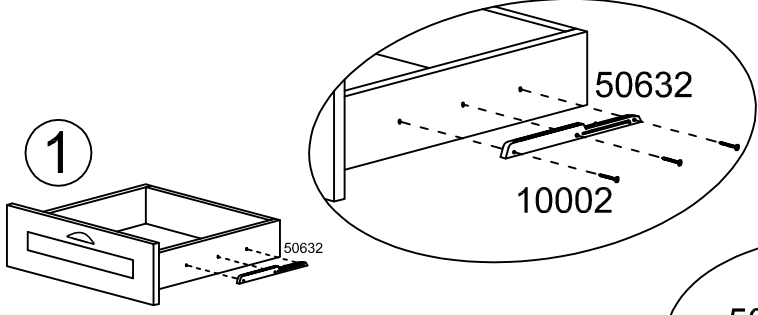
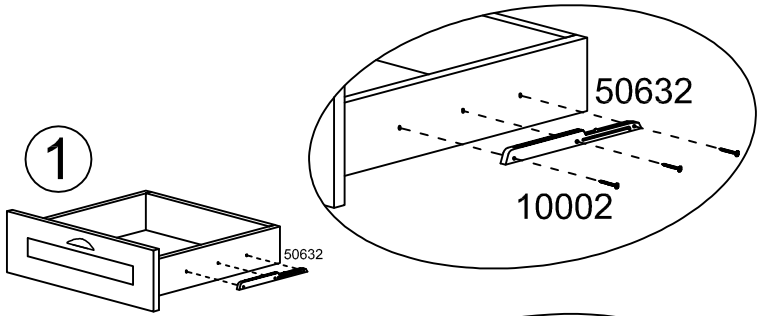
1.8



1.9







1.16

