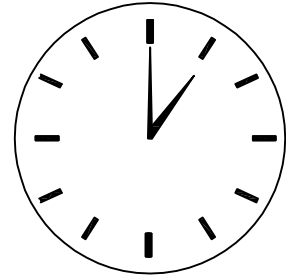
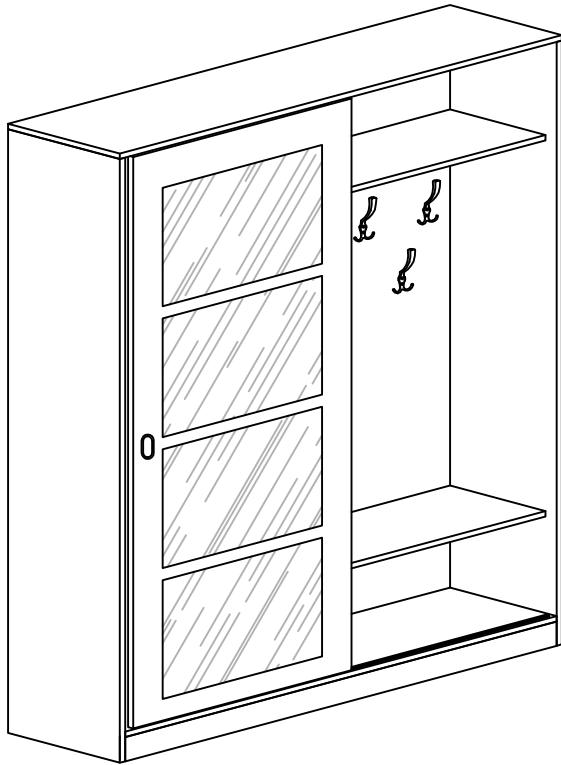
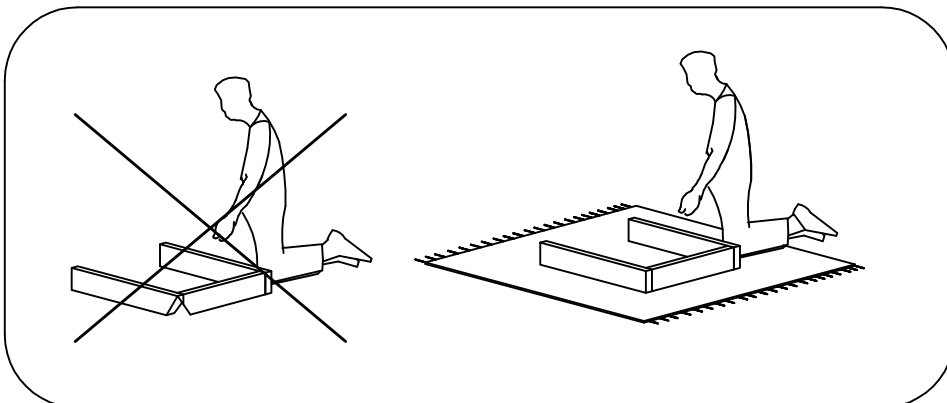
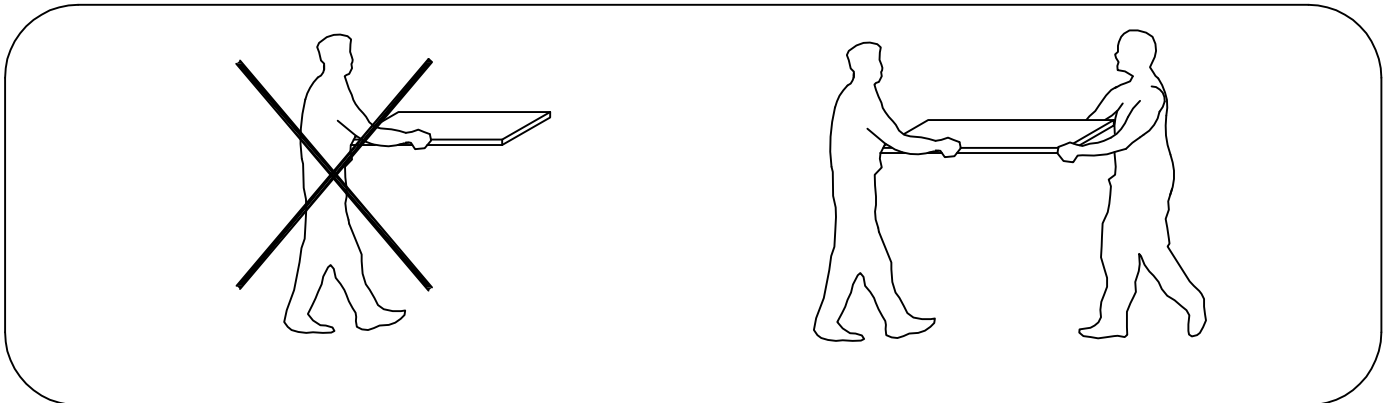
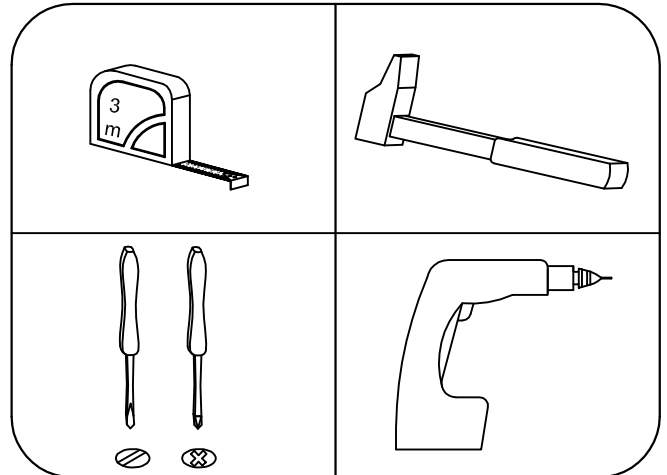
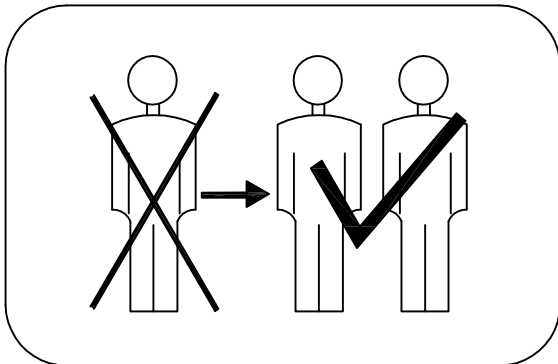


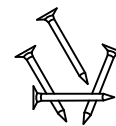
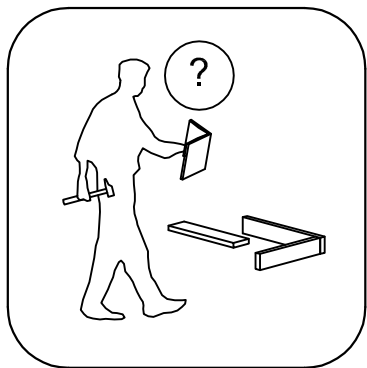
City 4054



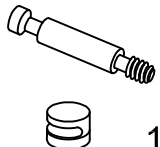
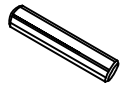

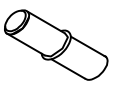
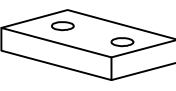
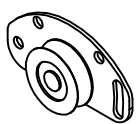
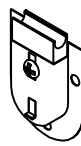
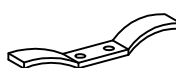
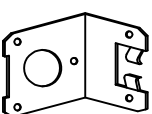
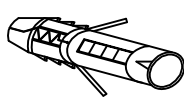




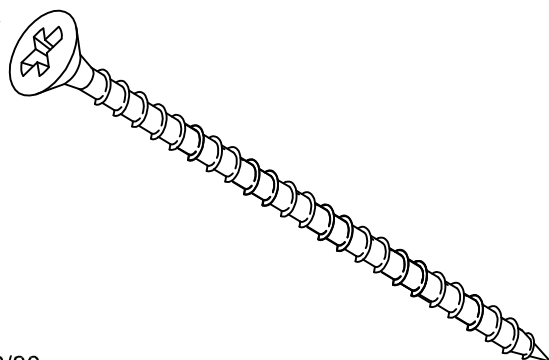
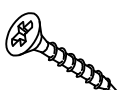

90 min.



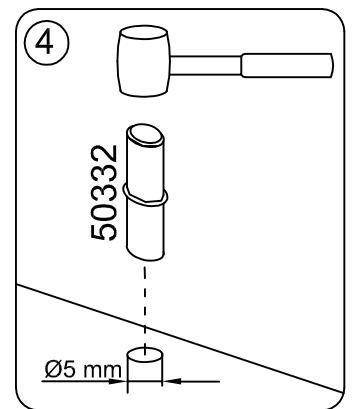
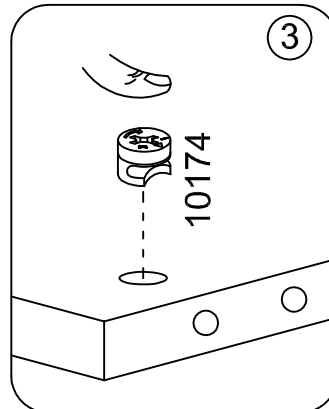
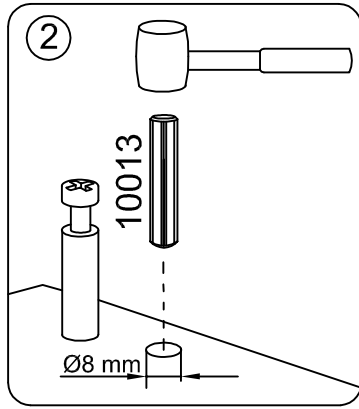
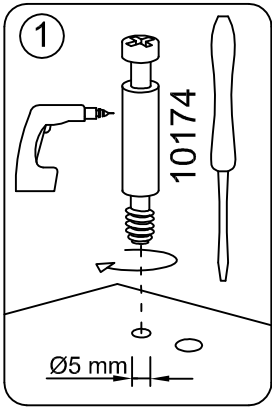
<http://www.irimbg.com/instructions/>



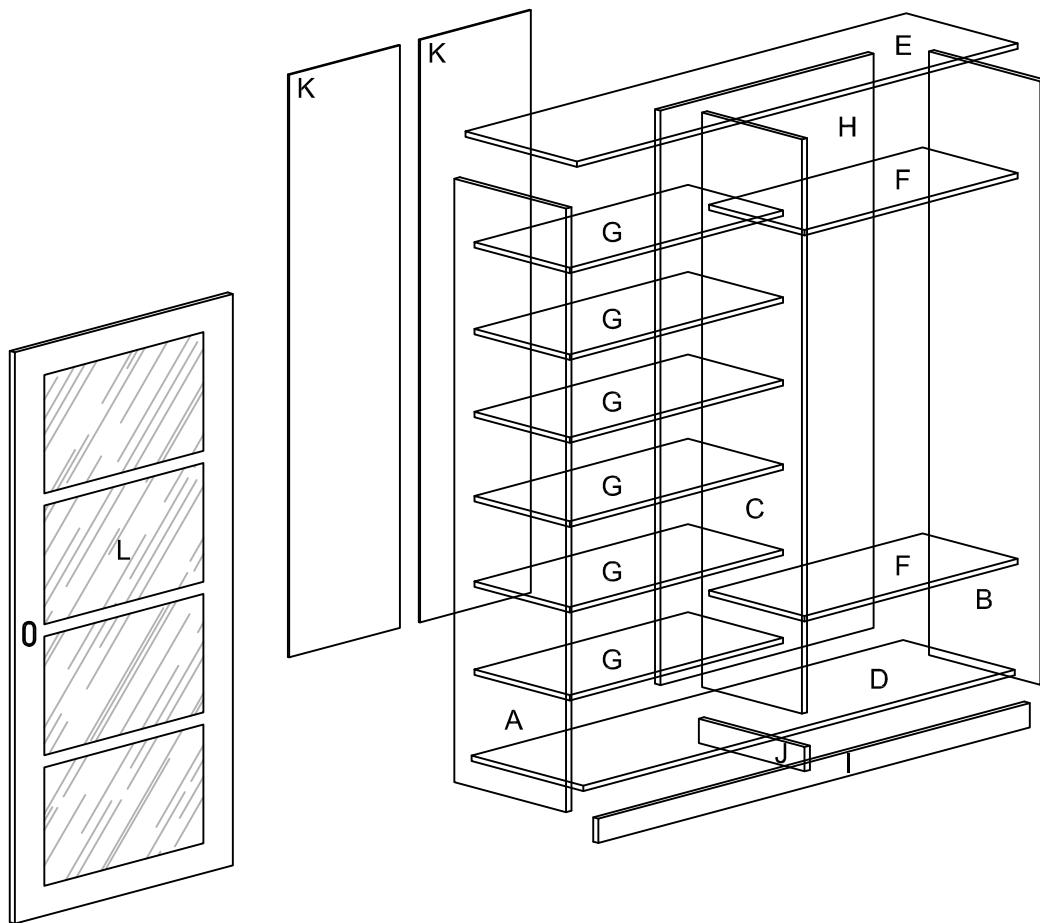
10033

42x  10174	44x  Φ 8/30 10013	42x  50317	24x  50332
6x  50246	2x  50605	2x  50606	2x  50607
2x  51066	4x  10060	3x  30016	2x  M 6,5 10032
18x  Φ 3,5/20 10002	2x  Φ 6,3/13 10087	4x  Φ 6/80 10021	
16x  Φ 3,5/16 10001	20x  Φ 3/16 10022		

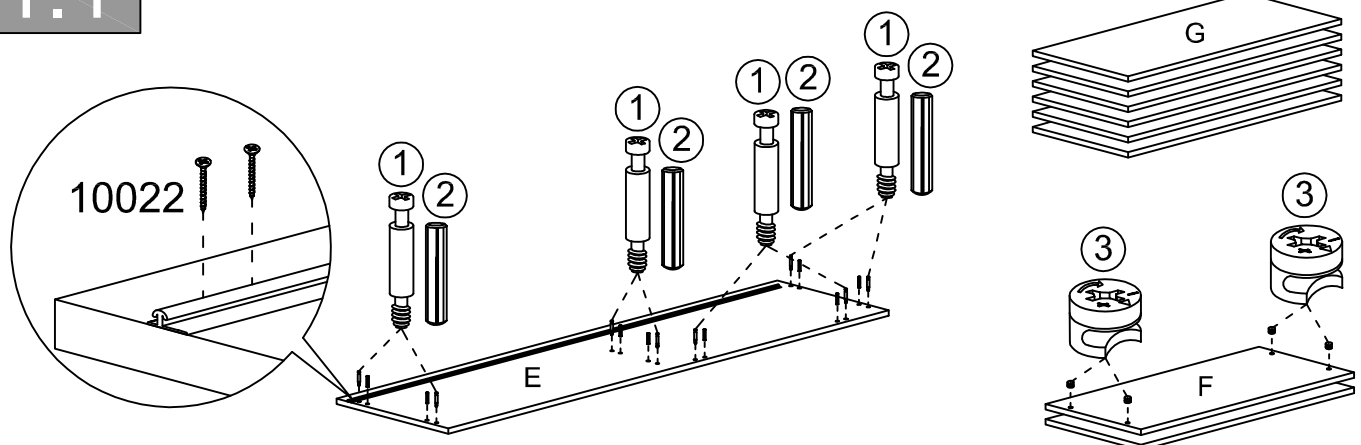
	↑ ↔	Box number
A	380x1984	1/5
B	380x1984	1/5
C	340x1888	1/5
D	1468x380	2/5
E	1500x380	2/5
F	2x 726x324	2/5
G	6x 726x324	3/5
H	726x1888	5/5
I	1468x80	2/5
J	360x80	2/5
K	2x 1915x377	1/5
L	742x1878	4/5

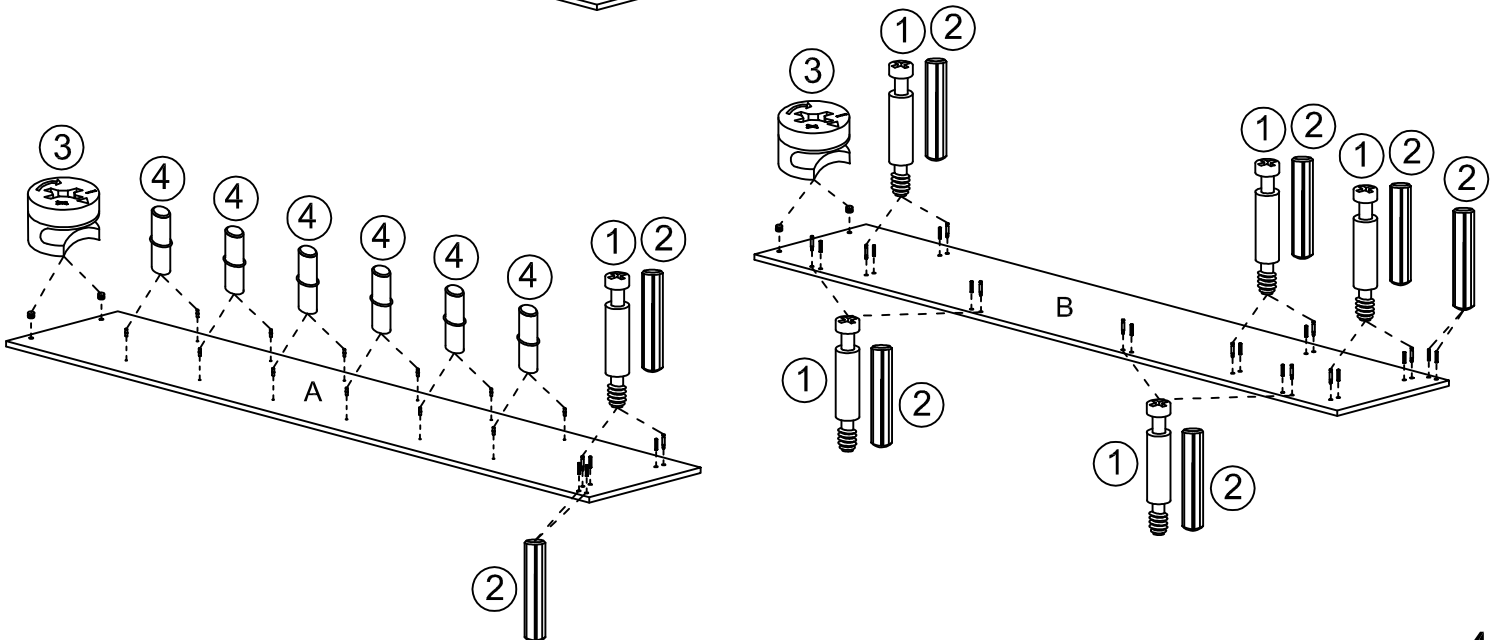
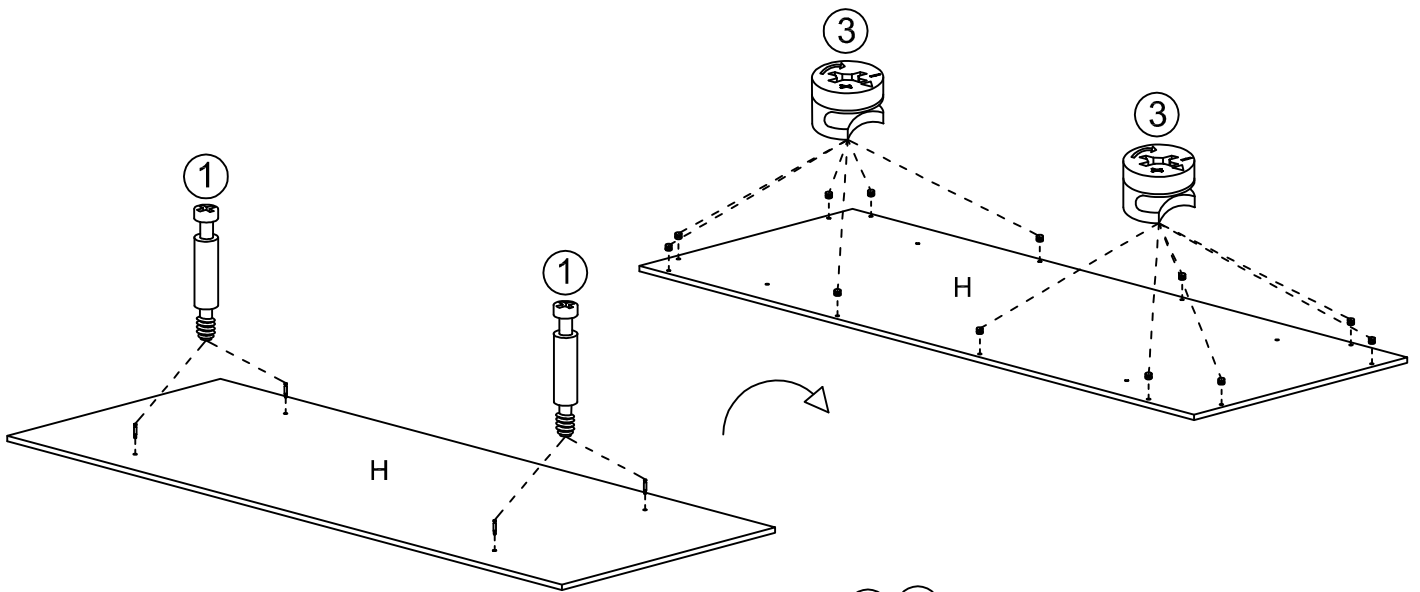
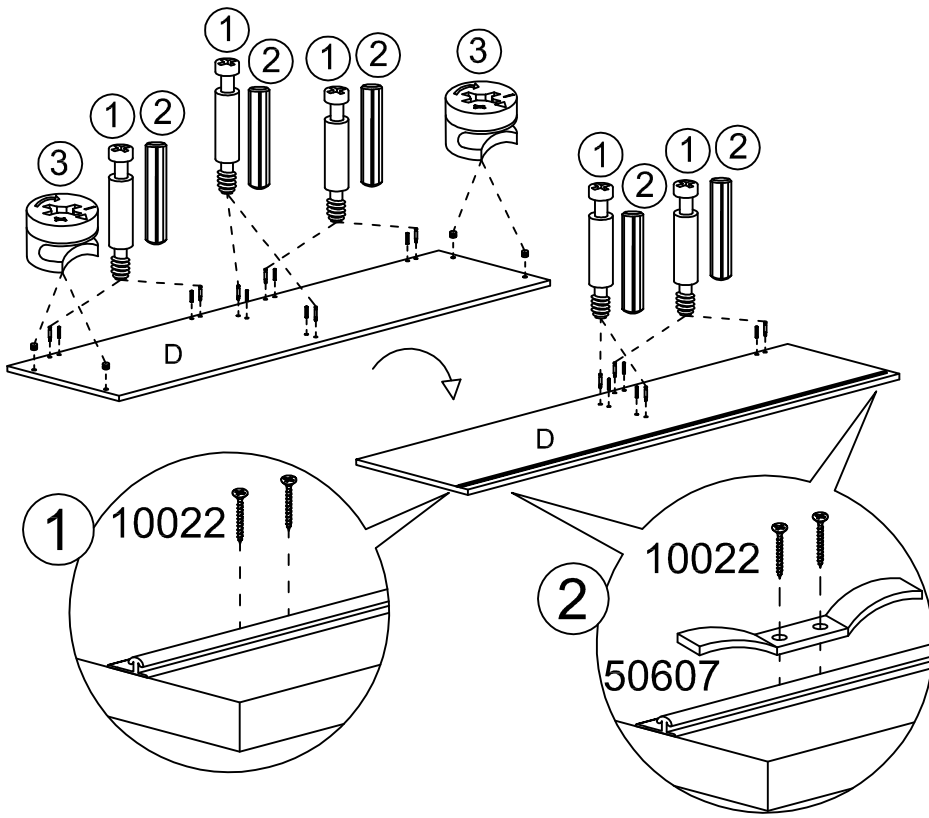


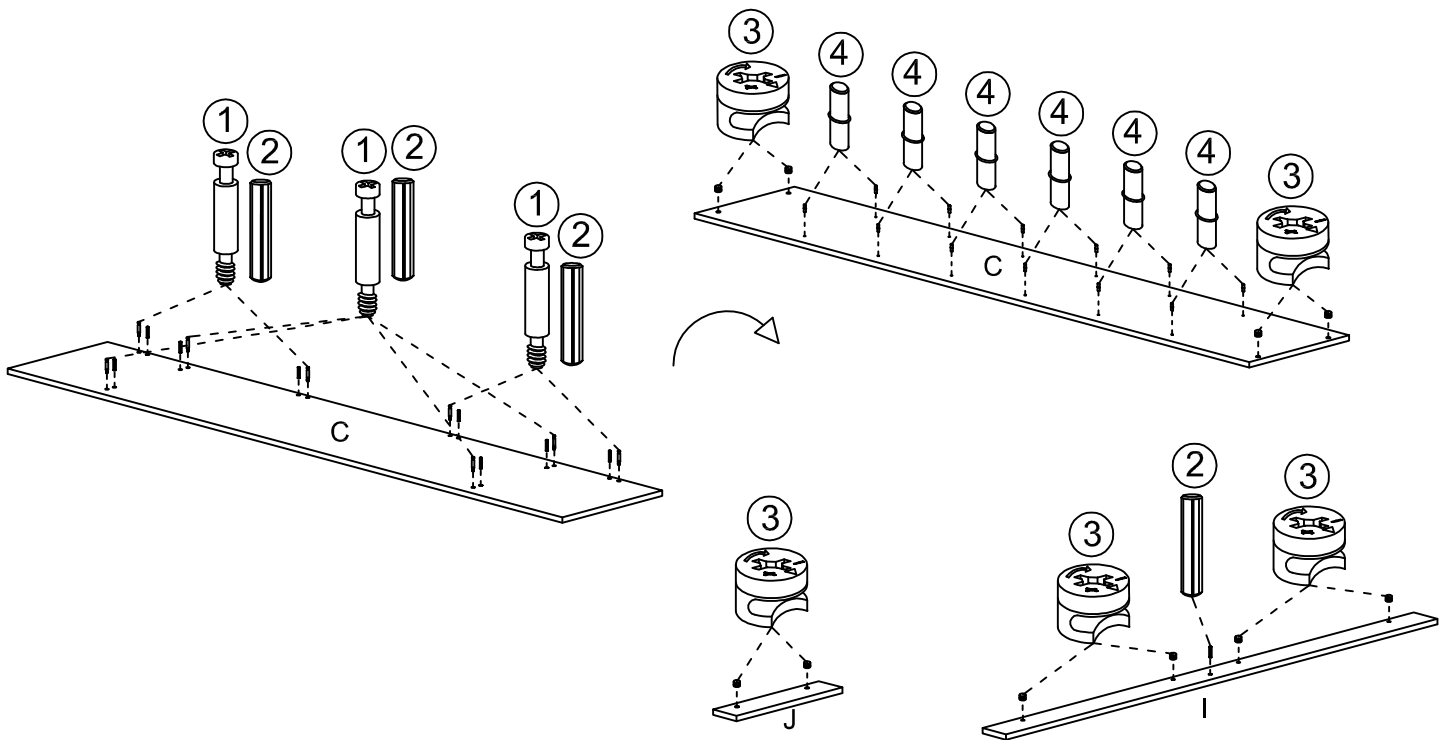
1



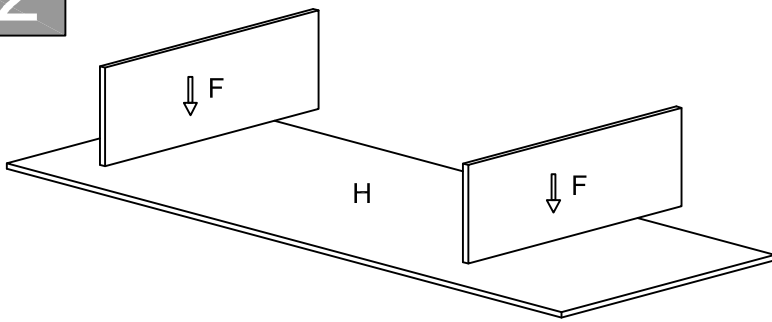
1.1



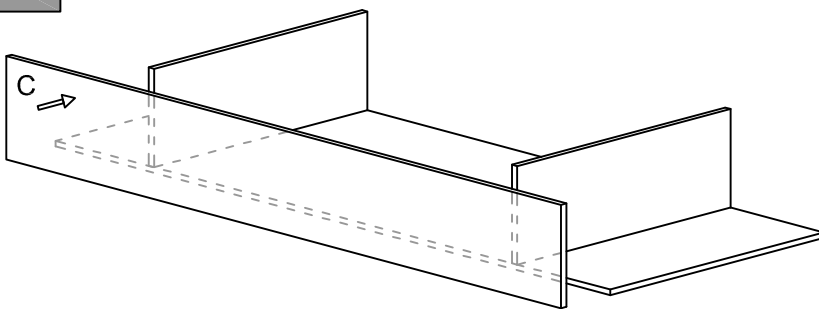




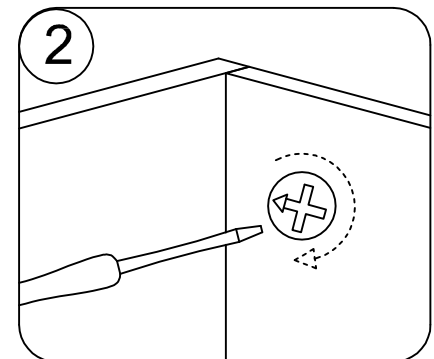
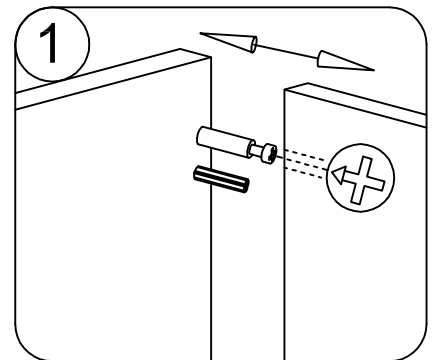
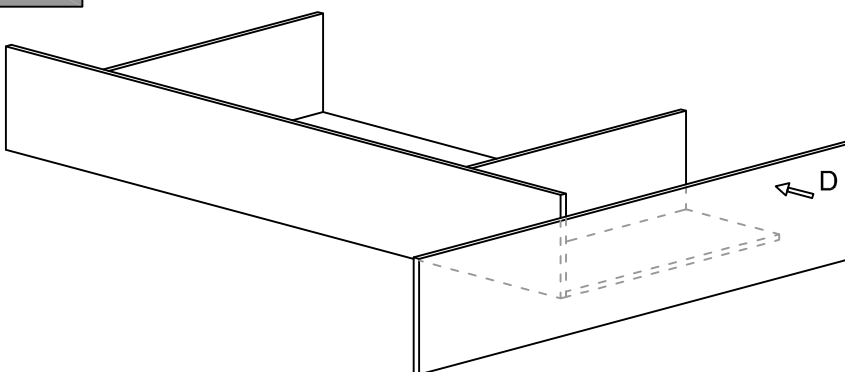
1.2



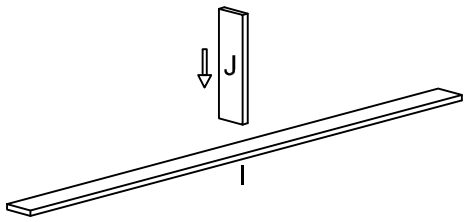
1.3



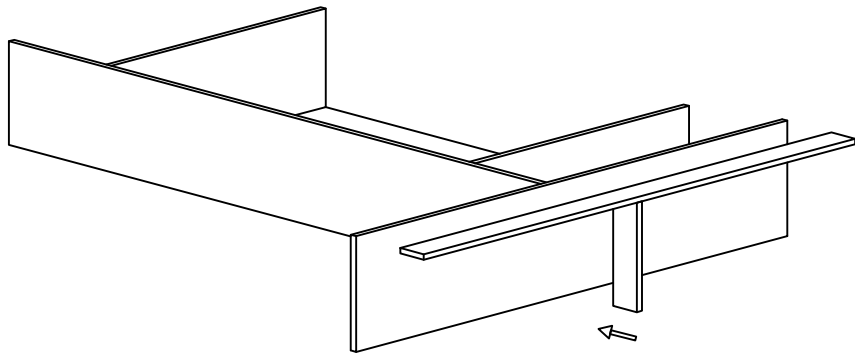
1.4



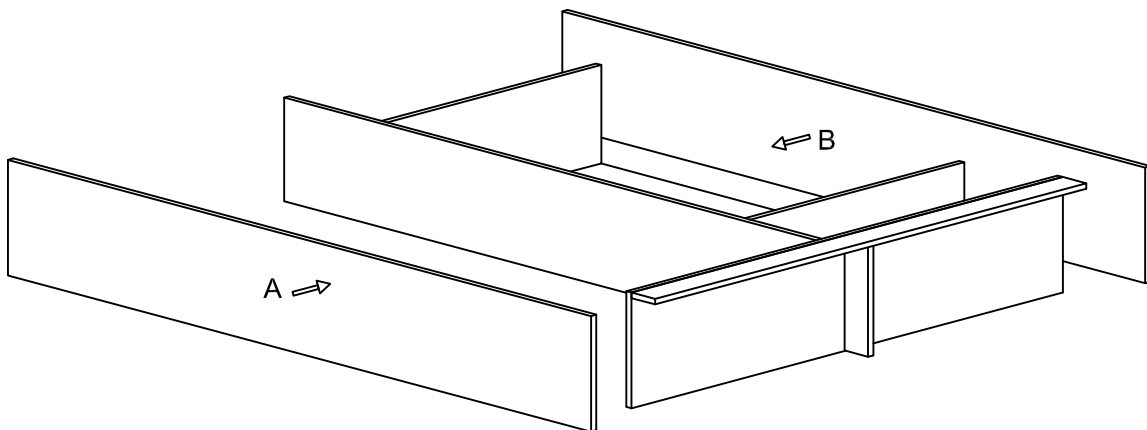
1.5



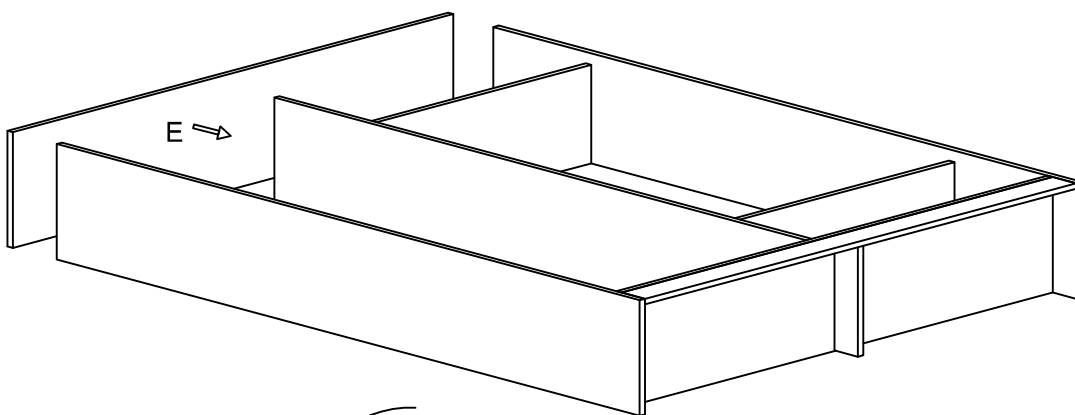
1.6



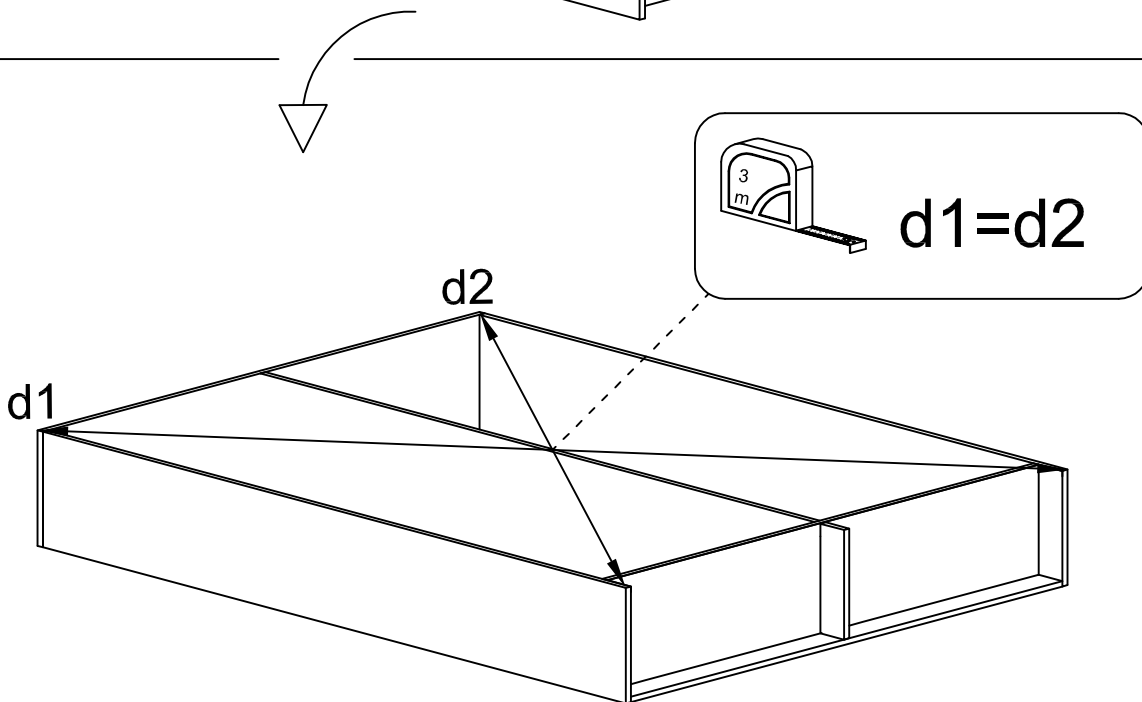
1.7



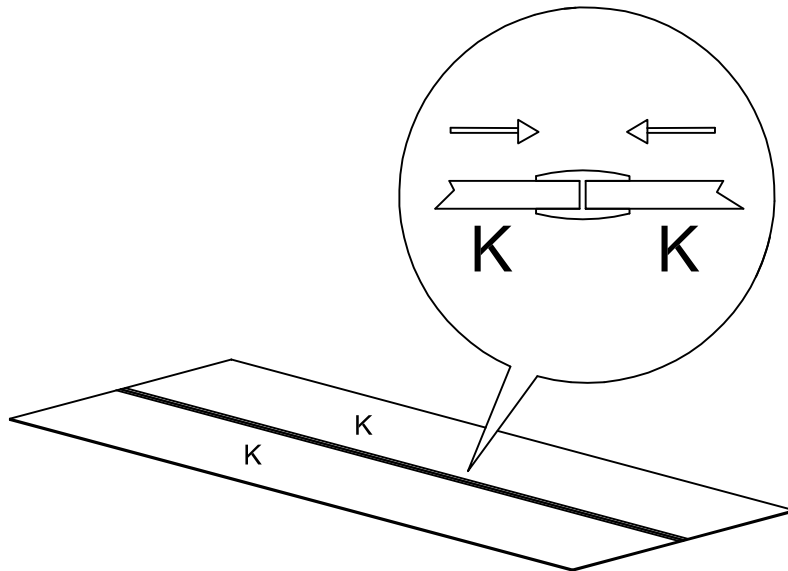
1.8



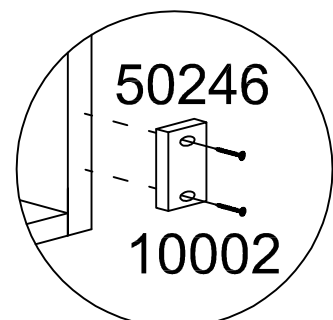
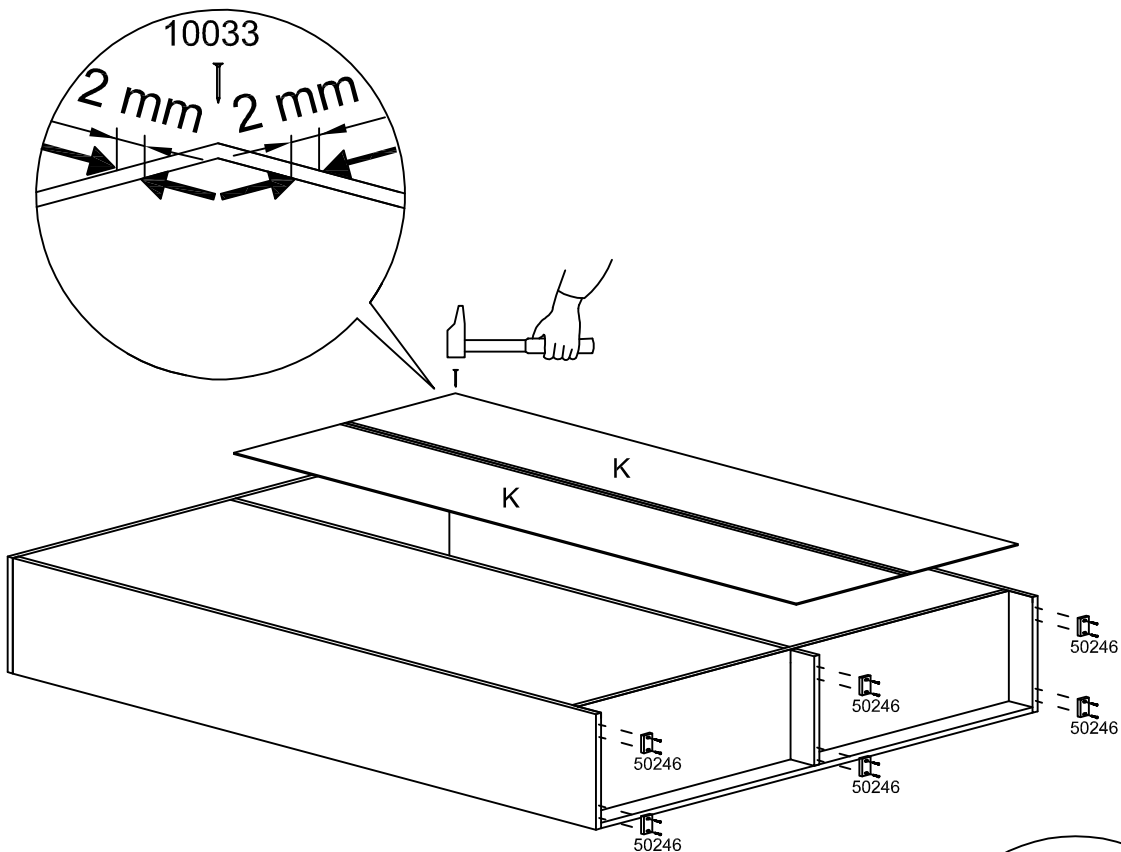
1.9



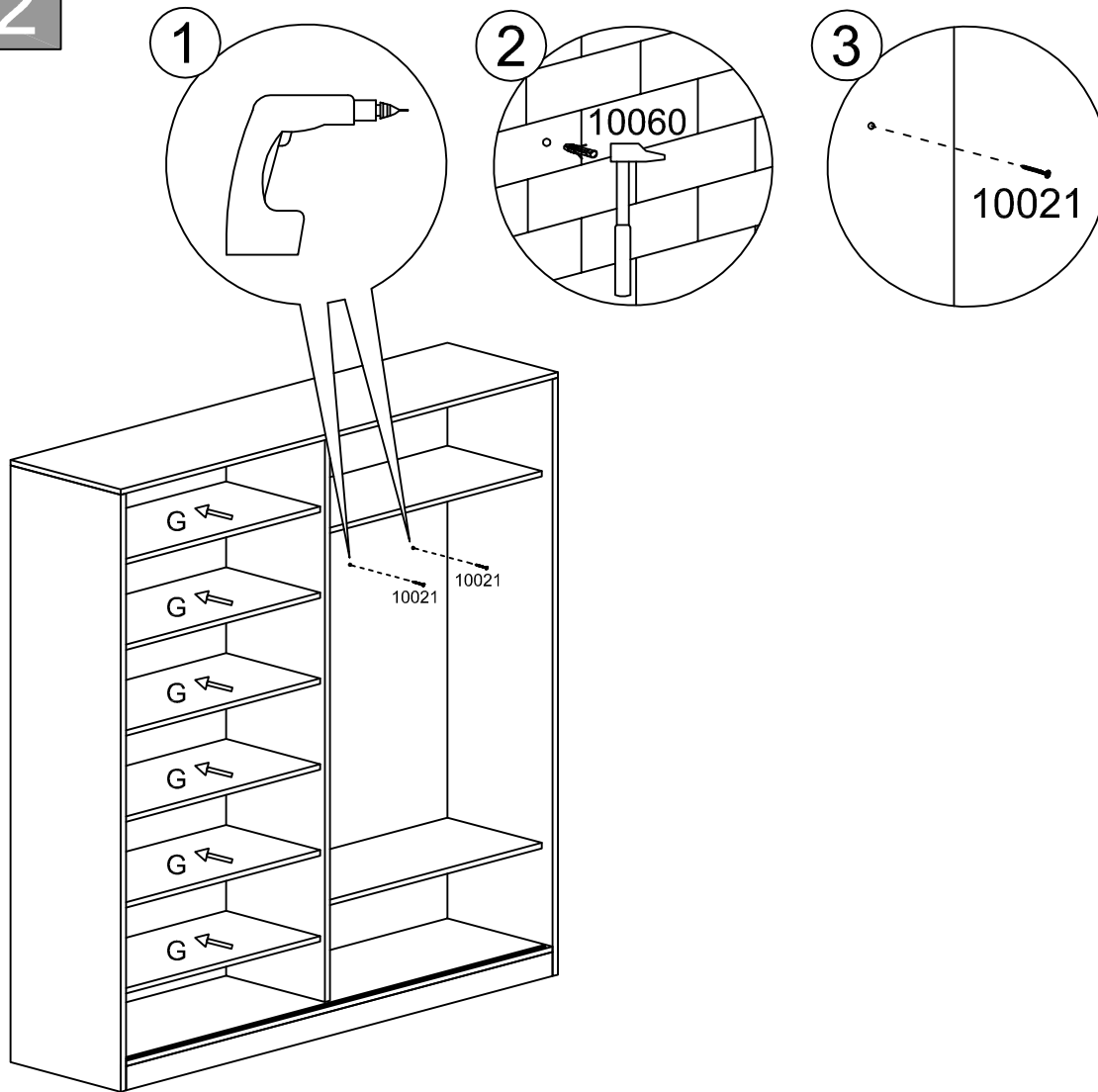
1.10



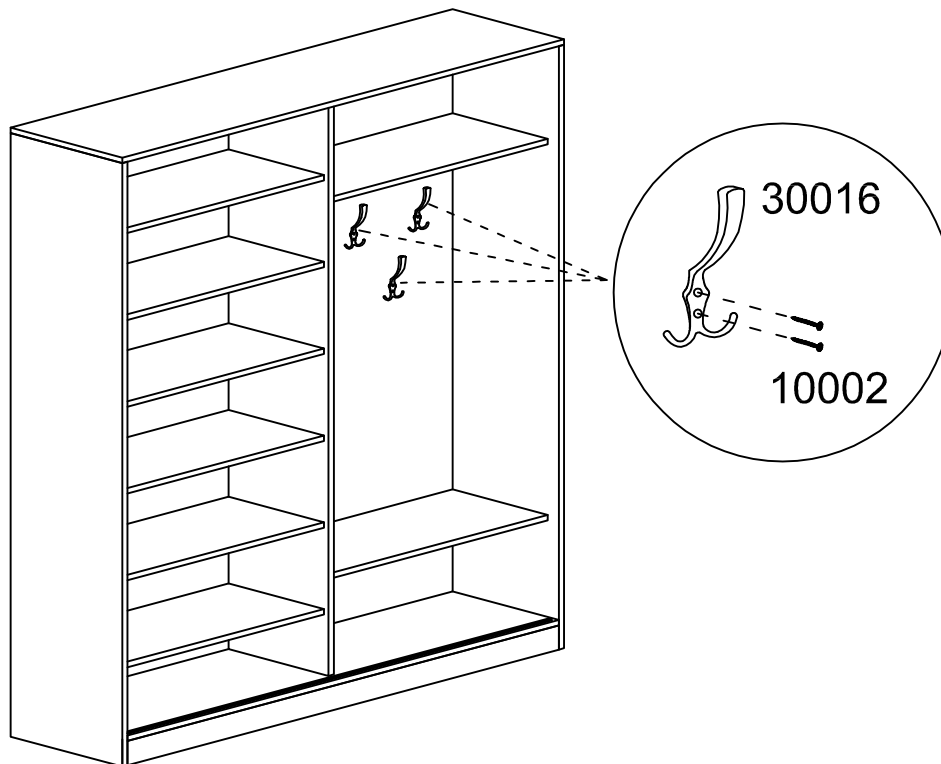
1.11



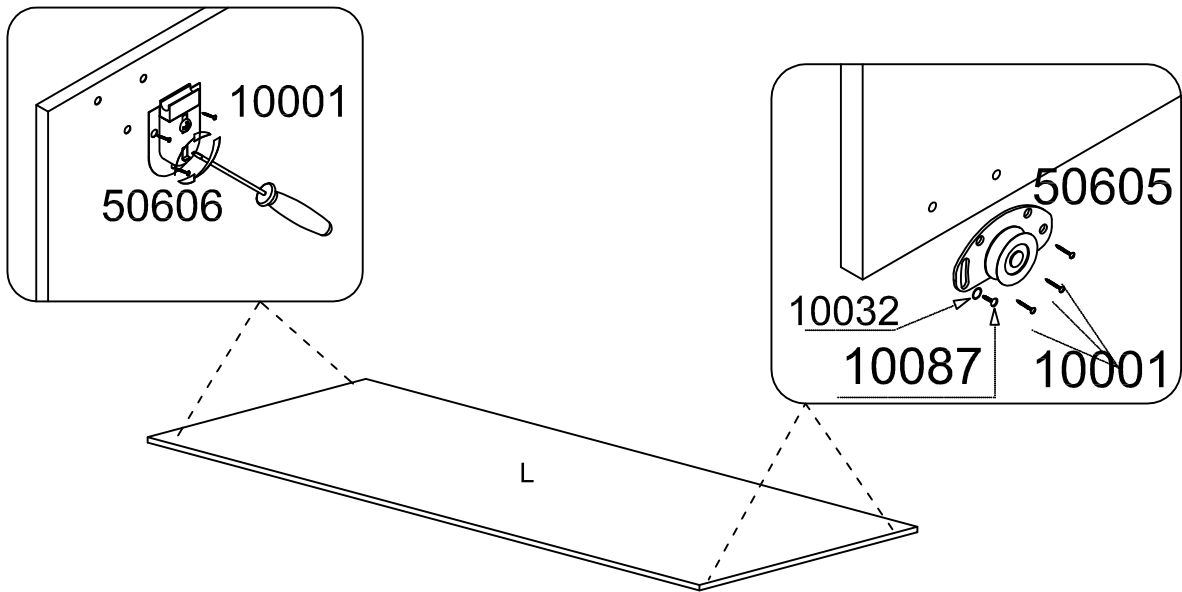
1.12



1.13



1.14



1.15

