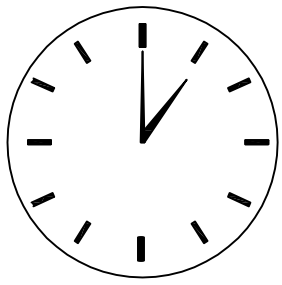
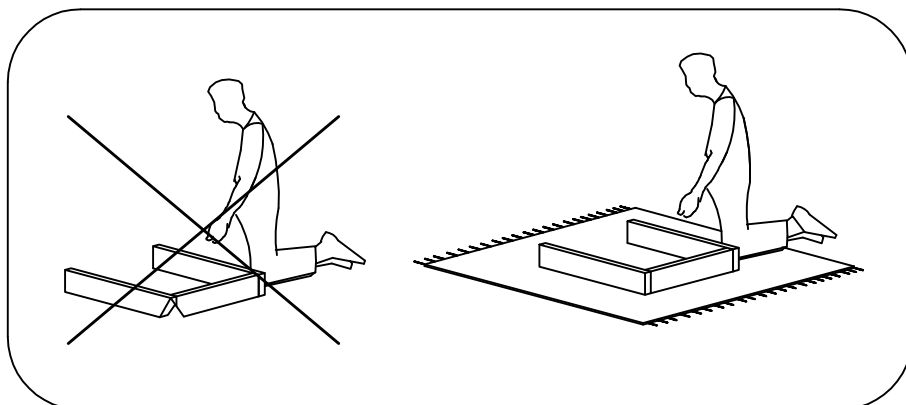
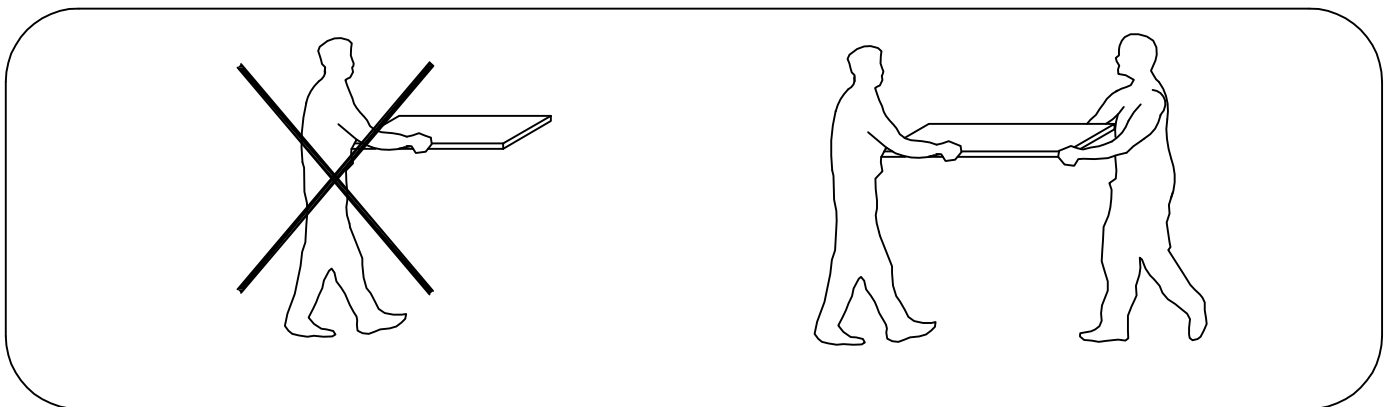
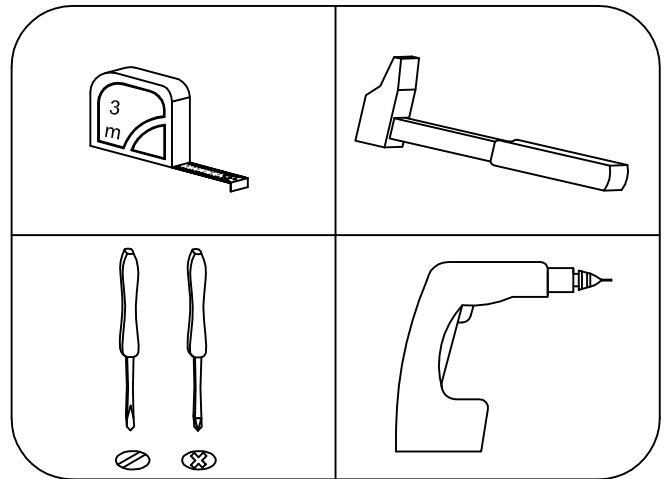
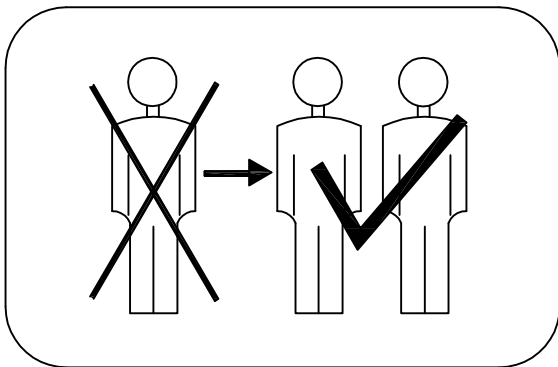
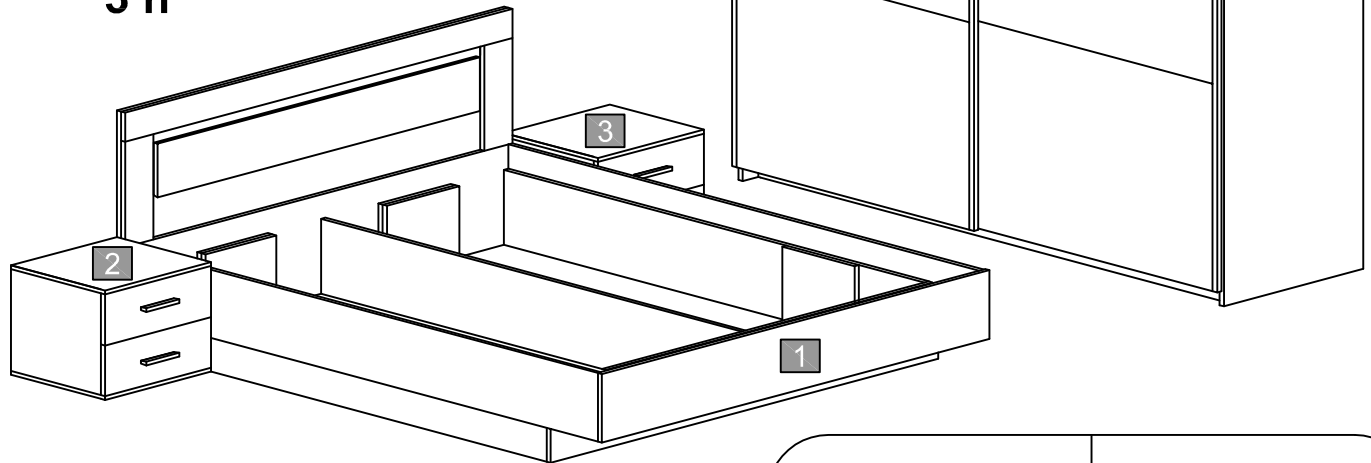


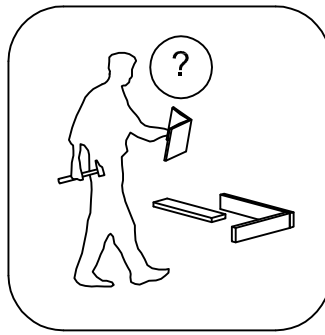
City 7045

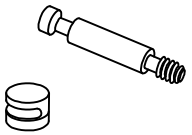
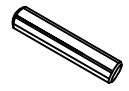
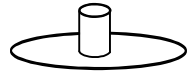
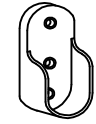


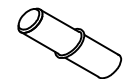


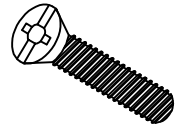
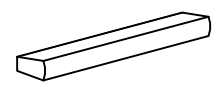
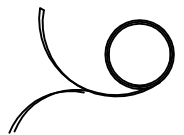
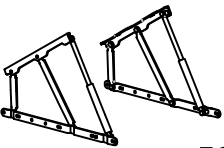



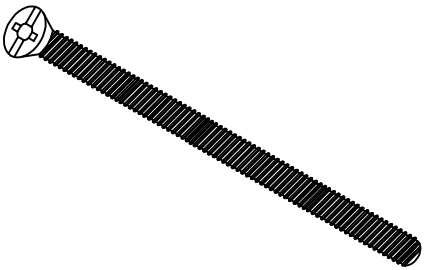
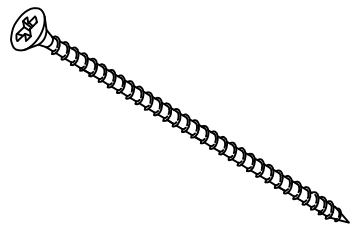
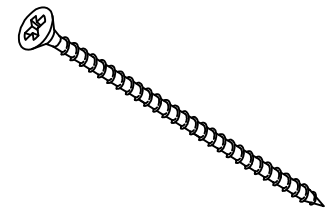
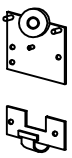
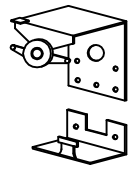
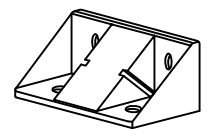

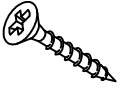

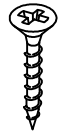
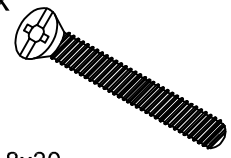


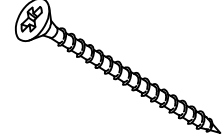
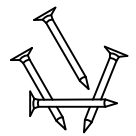


3 h



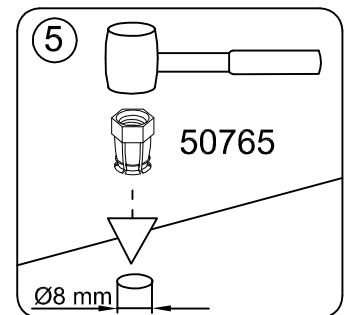
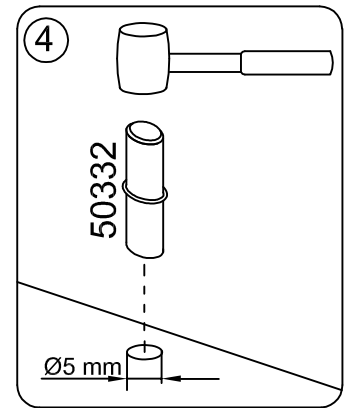
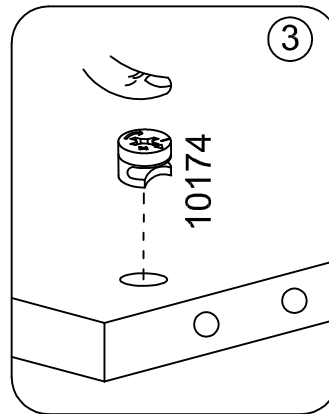
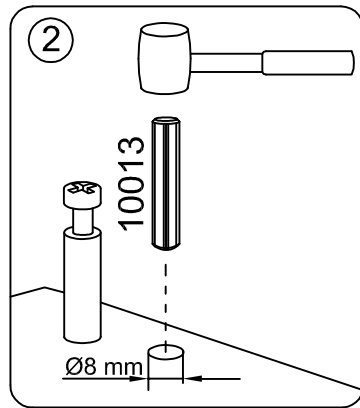
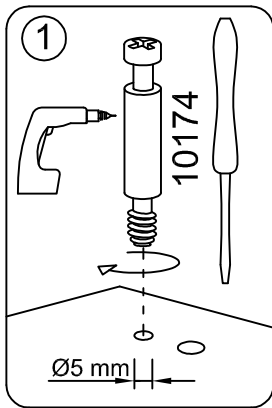
<http://www.irimbg.com/instructions/>



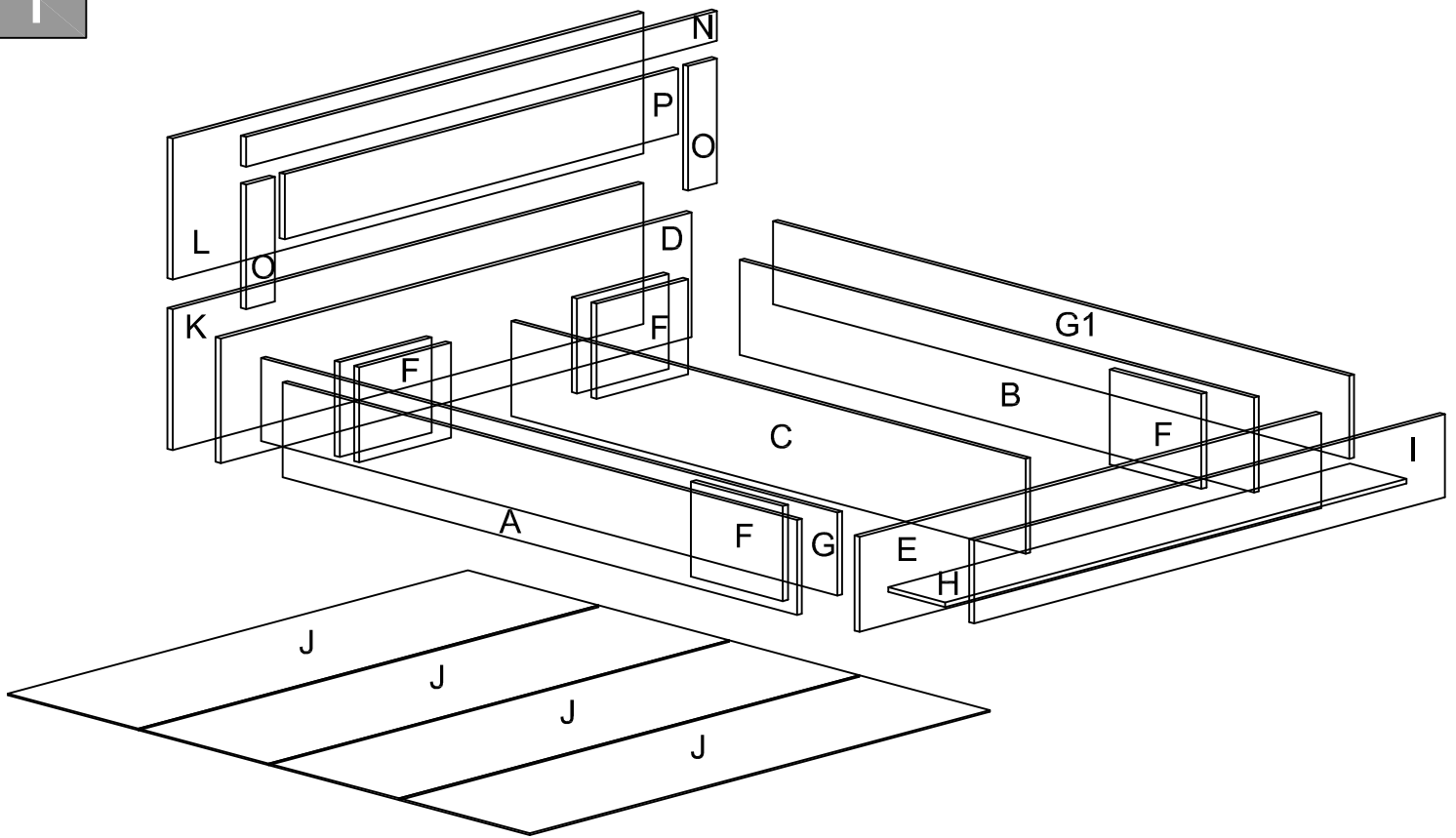
82x  10174	109x  10013	82x  50317	2x  50011
7x  50434	4x L 350 mm  50954	4x  50332	26x  50738
26x  50765	18x M 6/25  10195	4x  20275	4,11m  50611
1x  50350	8x M 6,5  10032	8x M 8  10092	4x M 6  10030
4x M 6x60  10051	4x M 6x50  10065	8x  10008	
1x  51583	1x  51582	2x  50561	8x M 6x12  10132
6x  10022	30x  10082	24x  10216	8x M 8x30  10212
97x  10001	16x  10002	40x  10004	 10033

	↕ ↔	Box number
A	1794x320	3/12
B	1794x320	3/12
C	1794x320	3/12
D	1642x420	1/12
E	1610x320	4/12
F	6x 320x320	4,6/12
G,G1	2x 2010x280	2/12
H	1610x200	4/12
I	1644x282	4/12
J	4x 1605x455	9/12
K	1642x475	1/12
L	1642x475	1/12
N	1642x100	2/12
O	2x 420x100	2/12
P	1372x220	4/12
Q	2x 418x380	5/12
R	2x 418x380	5/12
S	4x 450x400	6/12

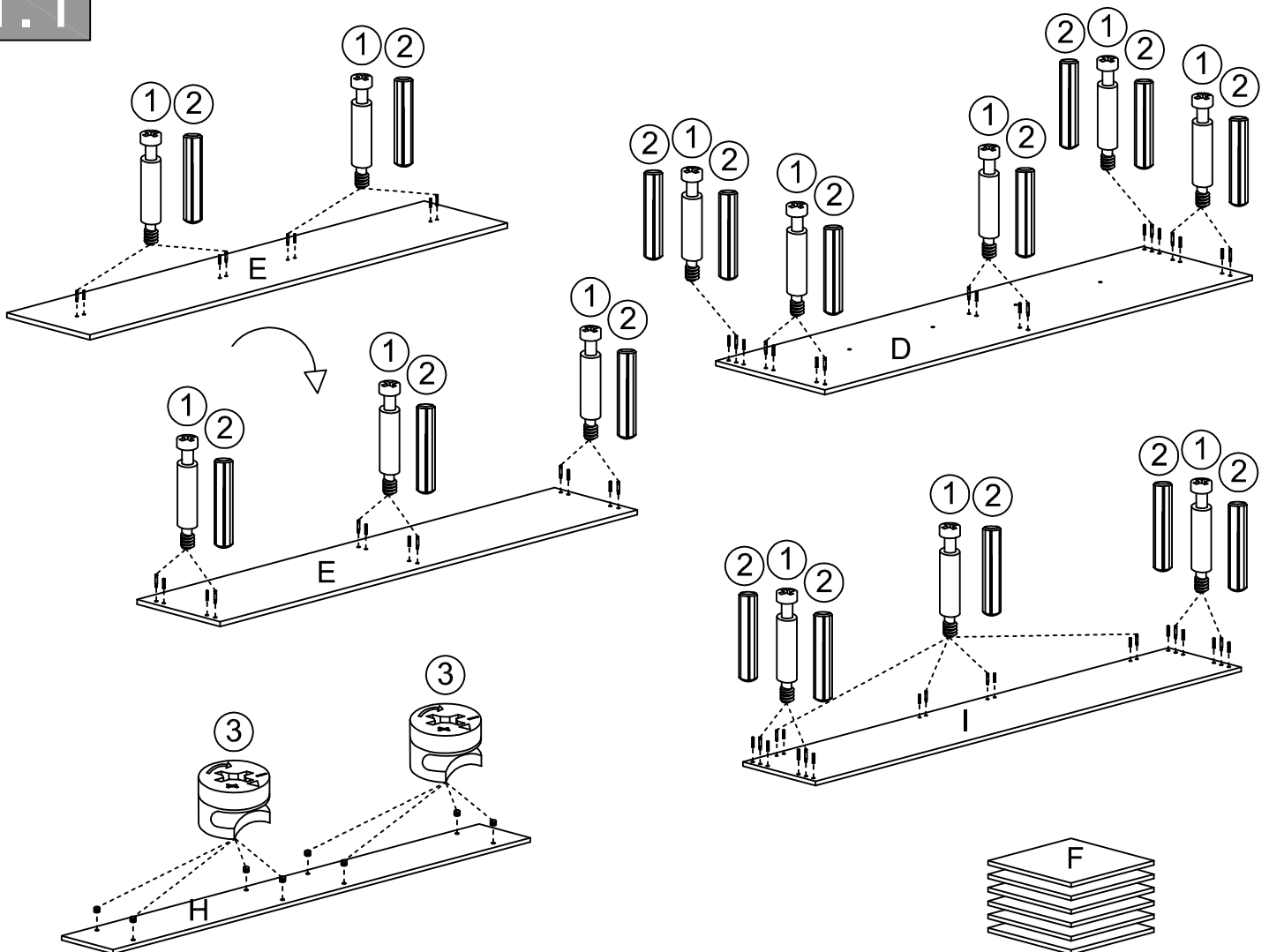
	↕ ↔	Box number
T	2x 445x445	9/12
U	8x 350x150	5/12
V	8x 361x150	5/12
W	4x 390x345	9/12
X	4x 447x204	6/12
Y	2140x547	7/12
Z	2140x520	7/12
AA	2028x500	9/12
AB	1968x500	8/12
AC	1968x500	8/12
AD	2x 976x500	10/12
AE	2x 976x500	10/12
AG	1968x80	2/12
AH	480x80	9/12
AI	4x 2055x498	9/12
AJ,AJ1	2x 1010x1218	11/12
AK,AK1	2x 1010x850	12/12

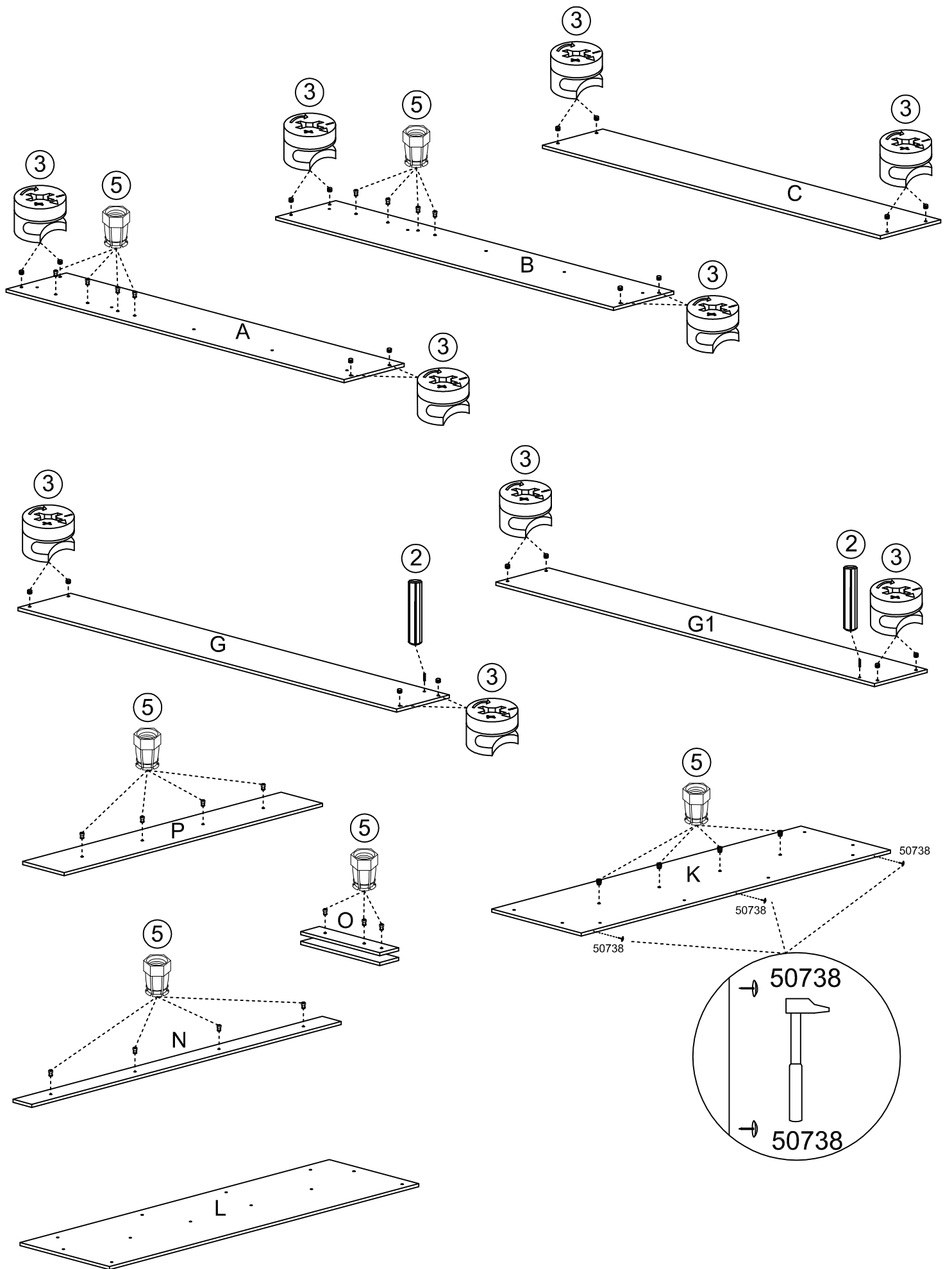


1

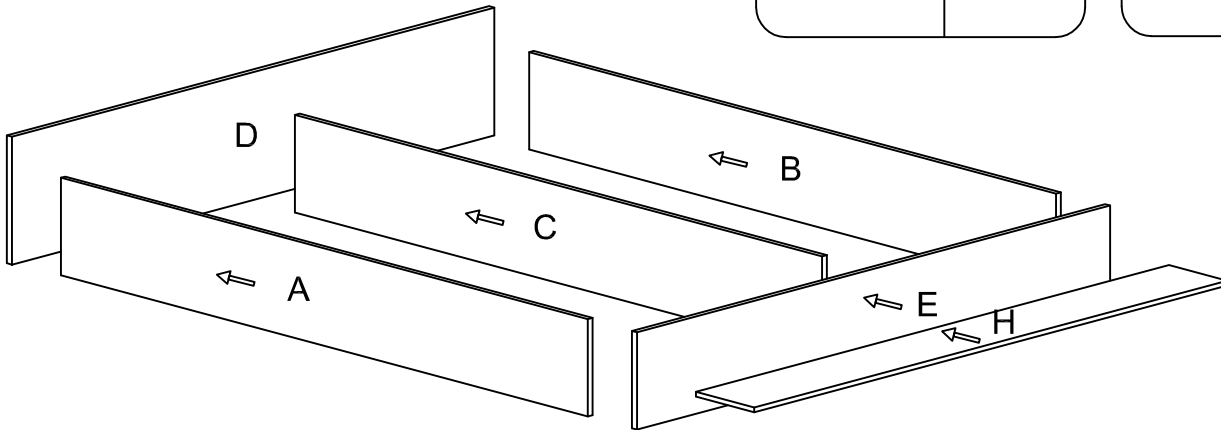
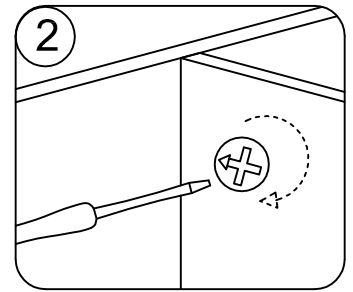
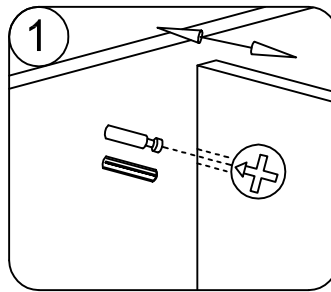


1.1

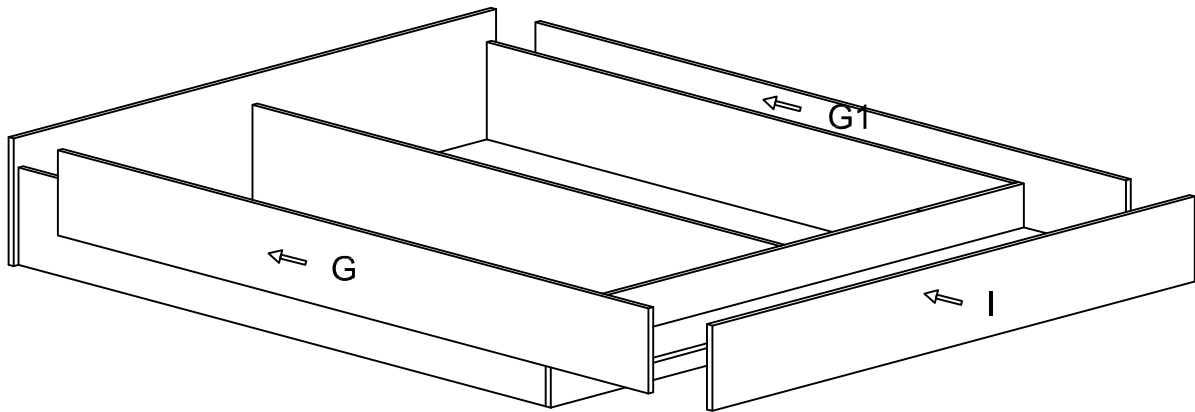




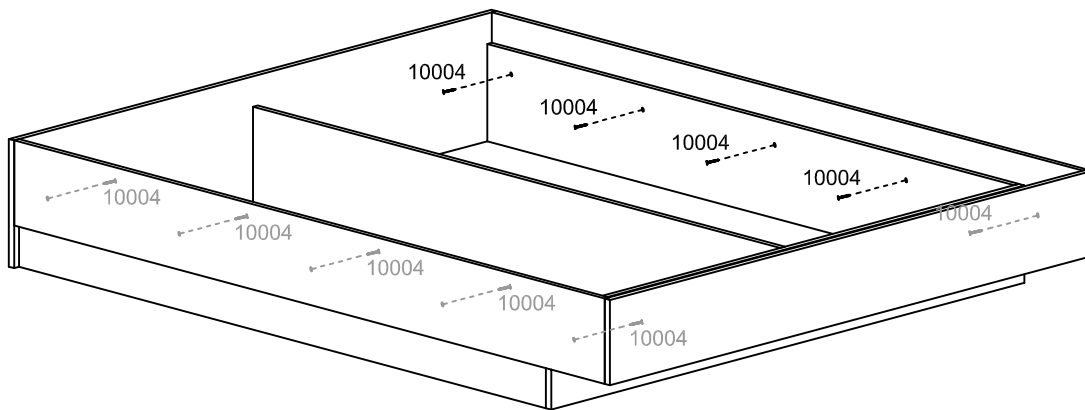
1.2



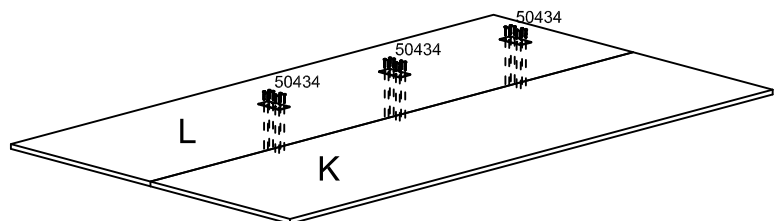
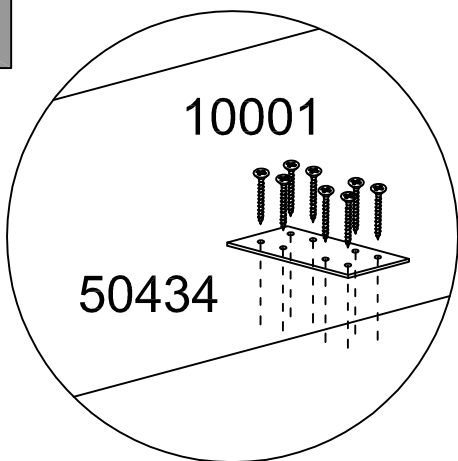
1.3



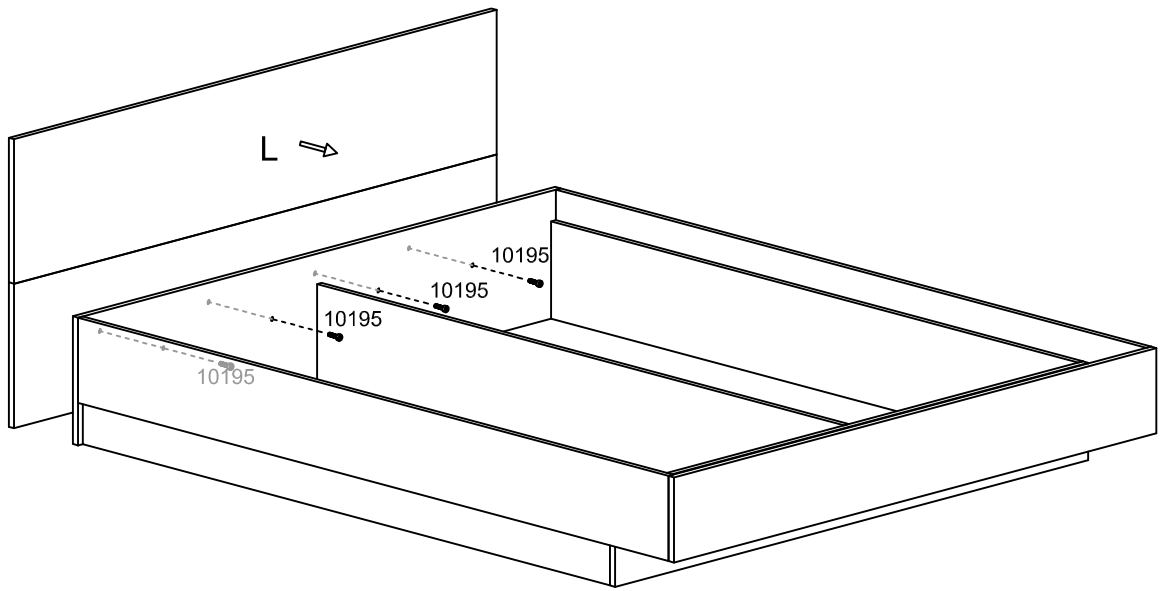
1.4



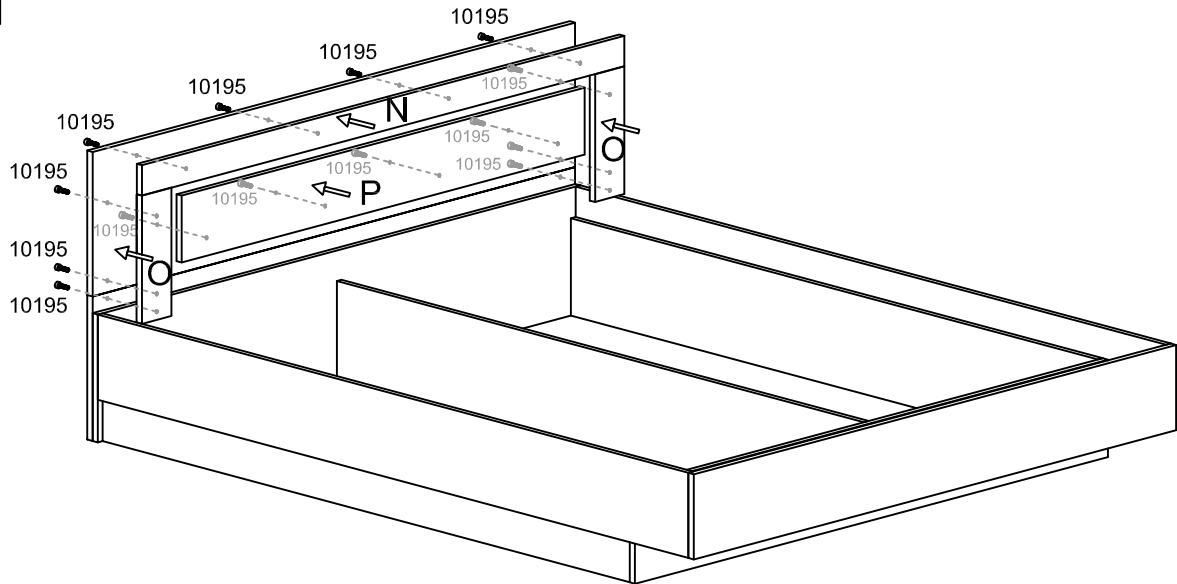
1.5



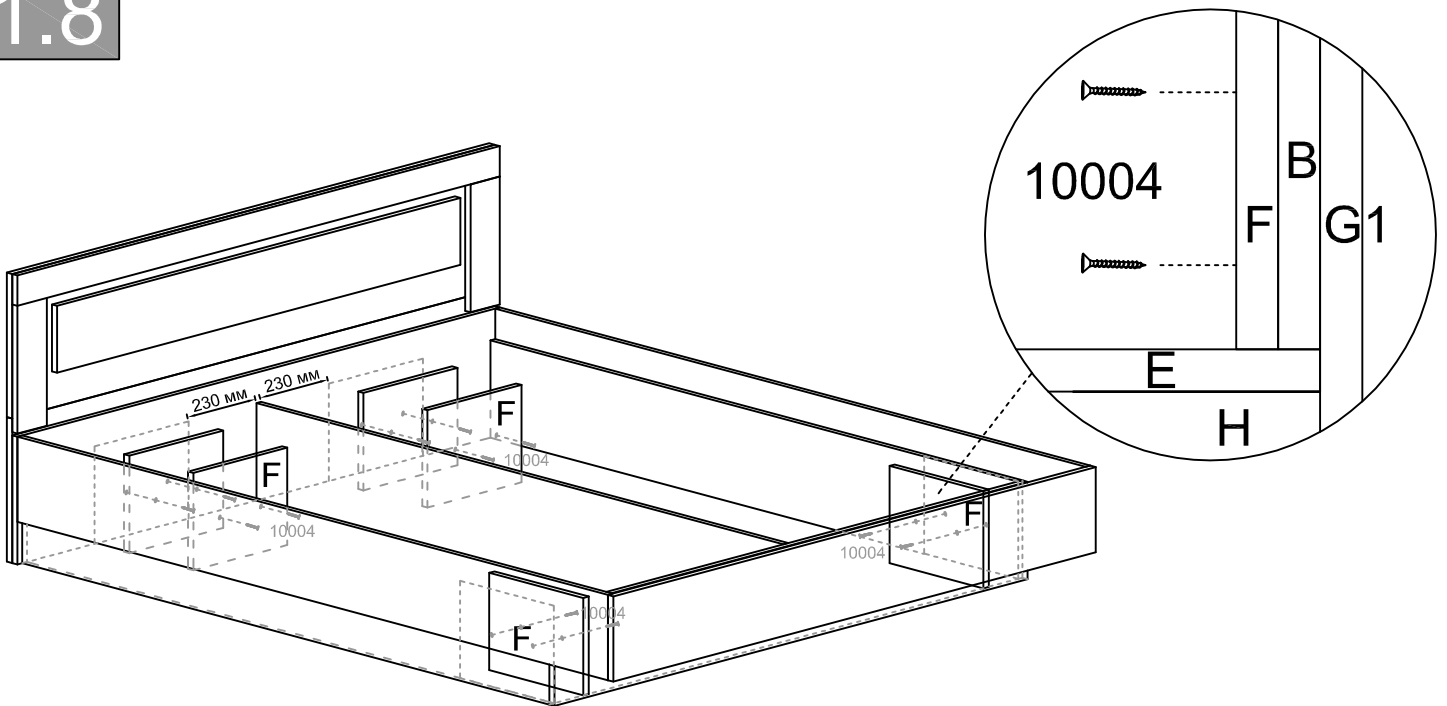
1.6



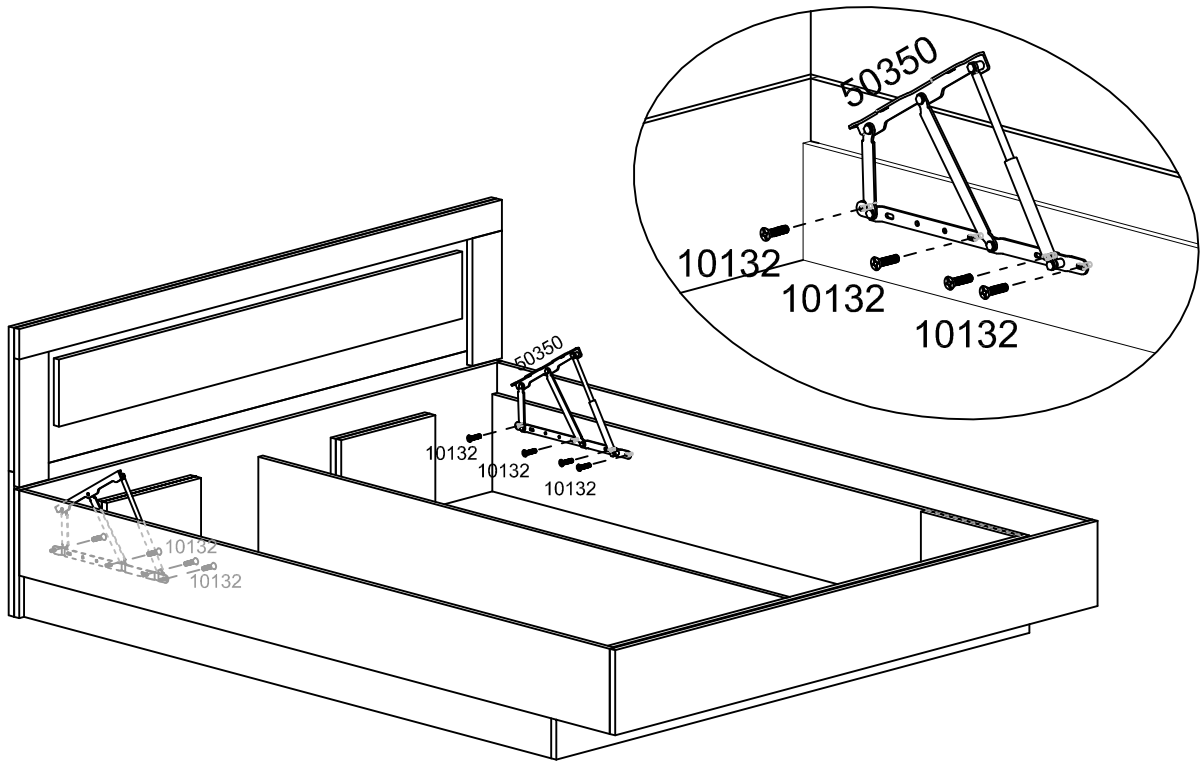
1.7



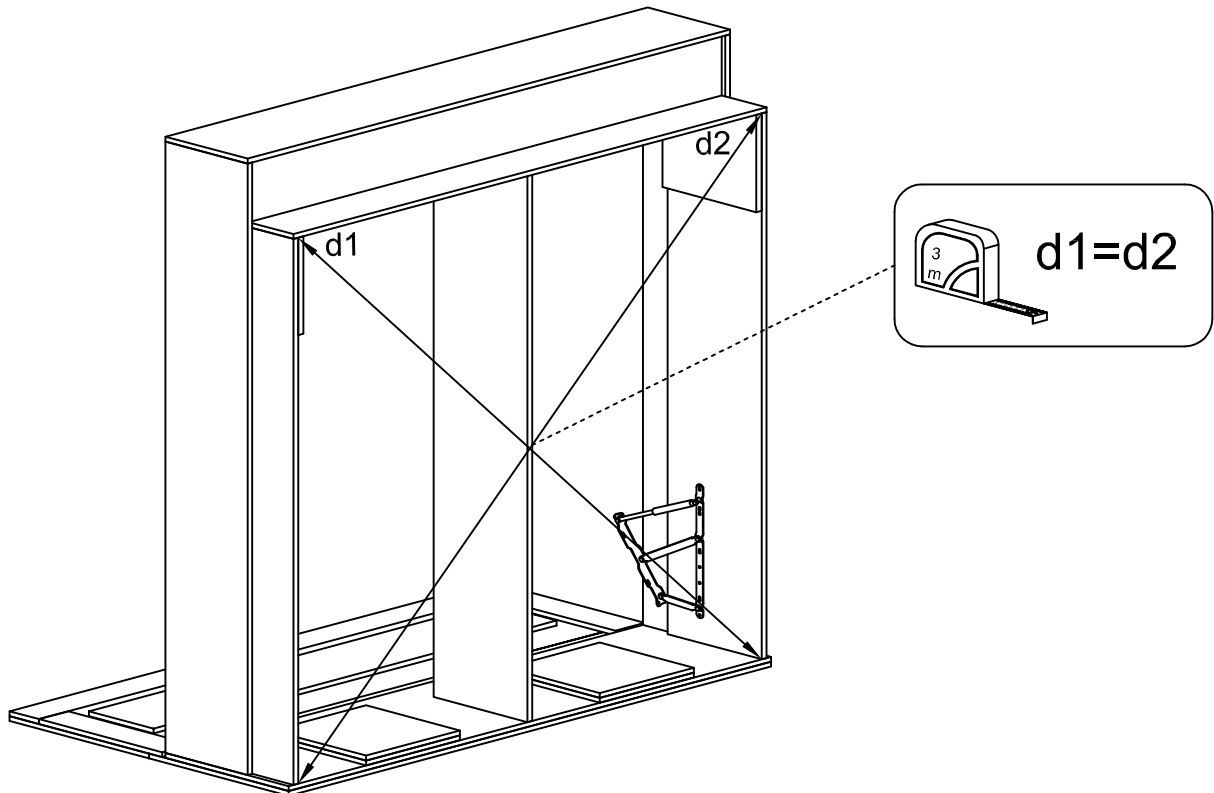
1.8



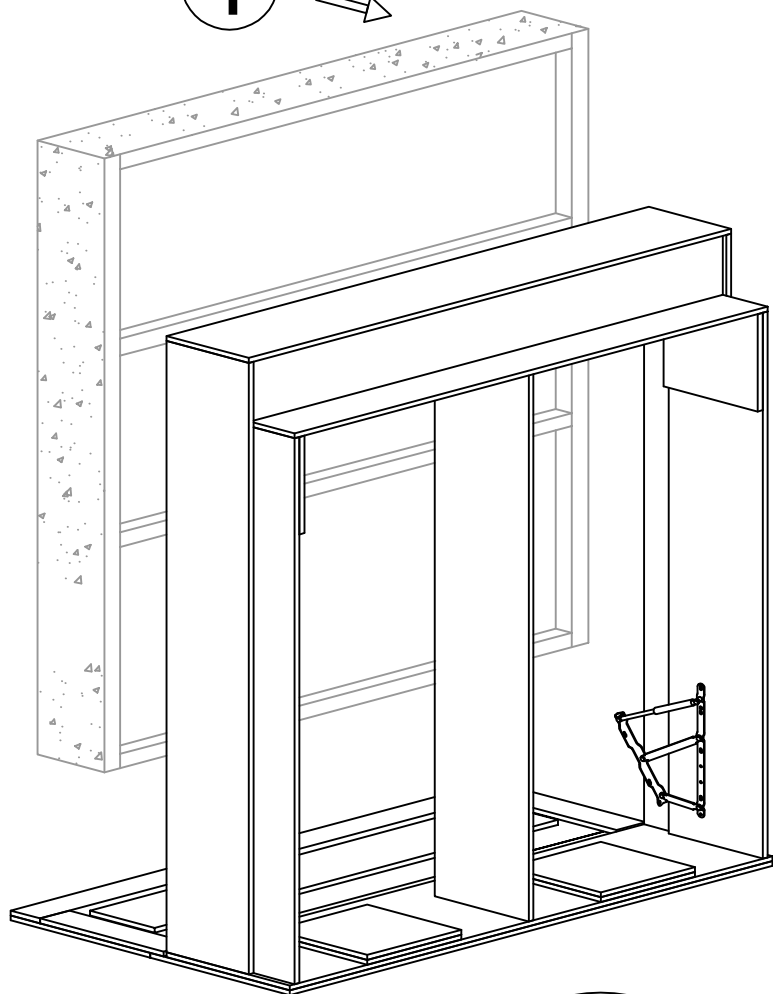
1.9



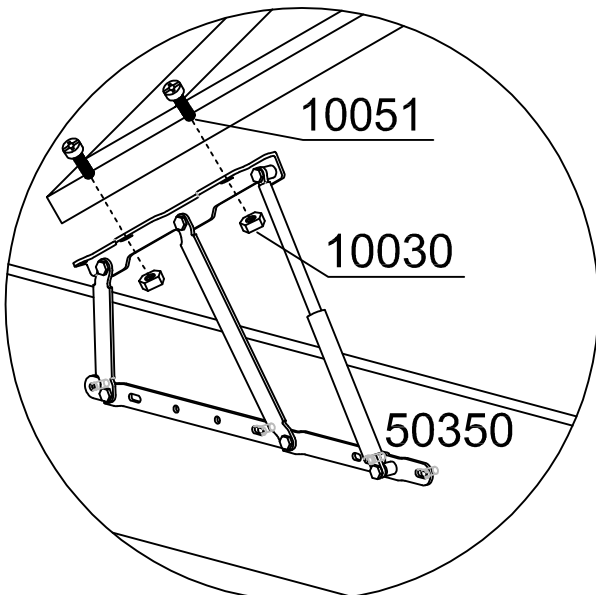
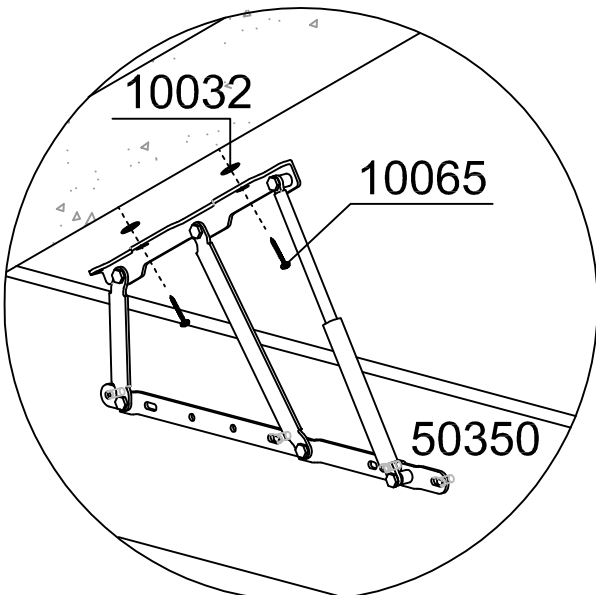
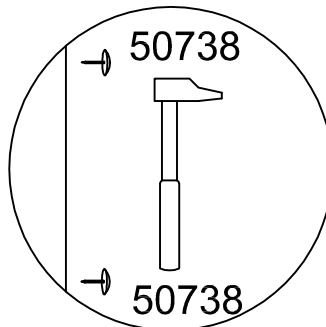
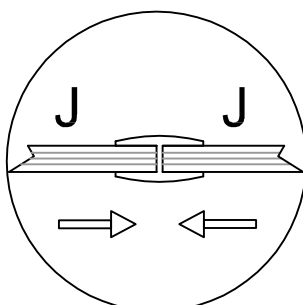
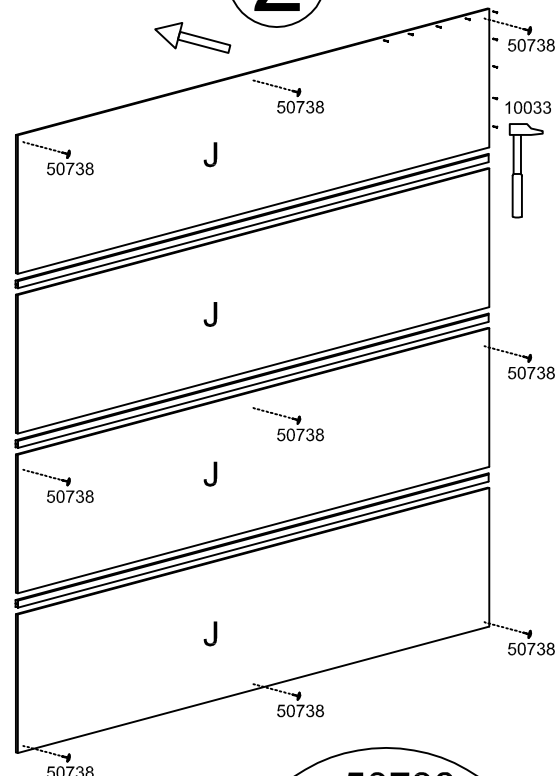
1.10



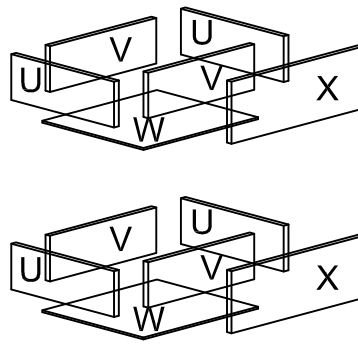
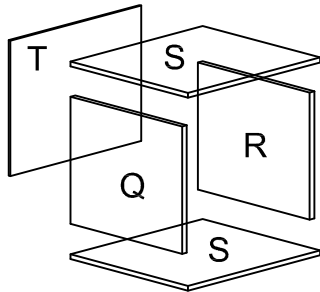
1



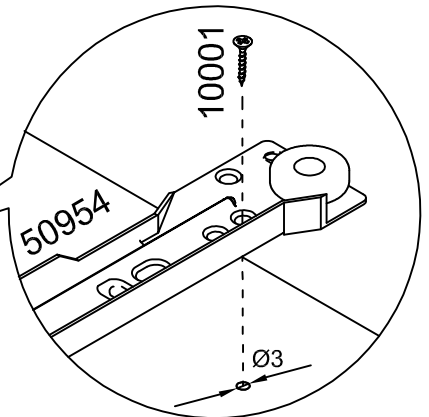
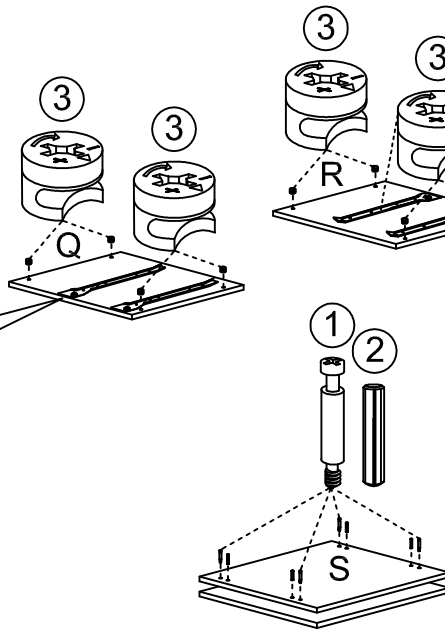
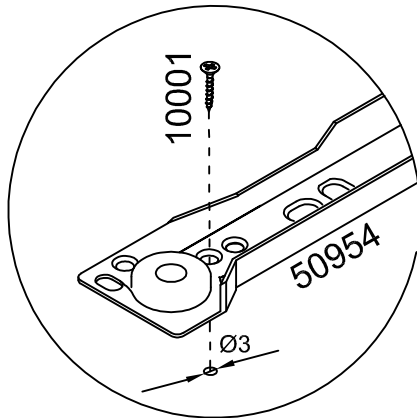
2



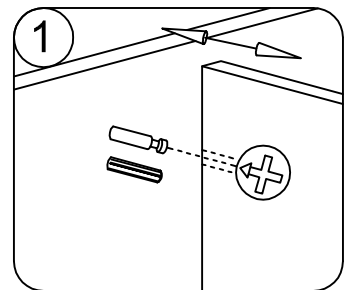
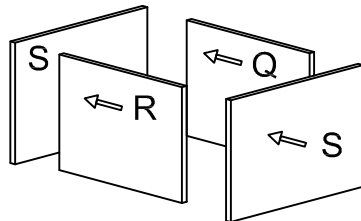
2 3



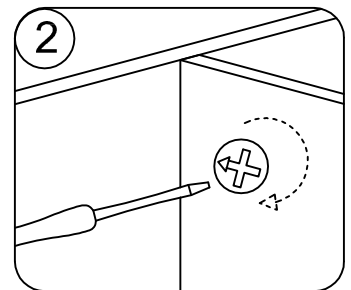
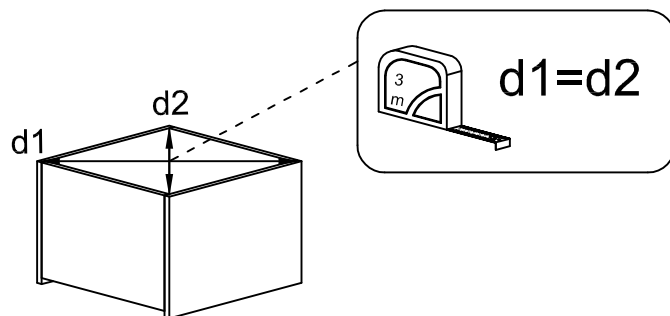
2.1 3.1



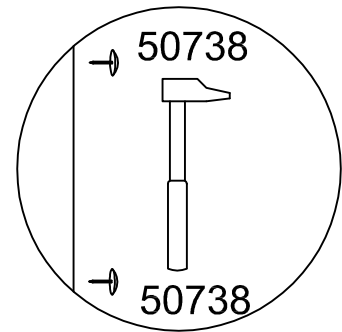
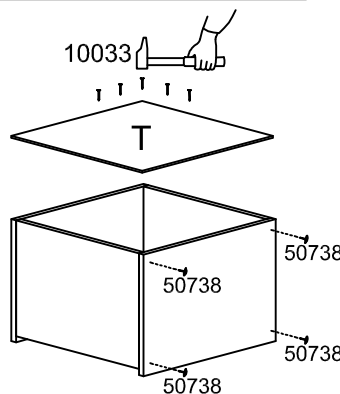
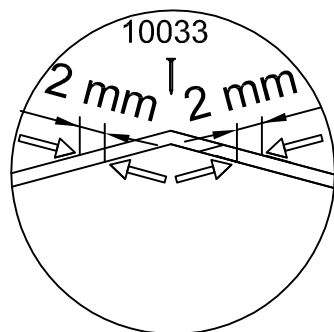
2.2 3.2



2.3 3.3

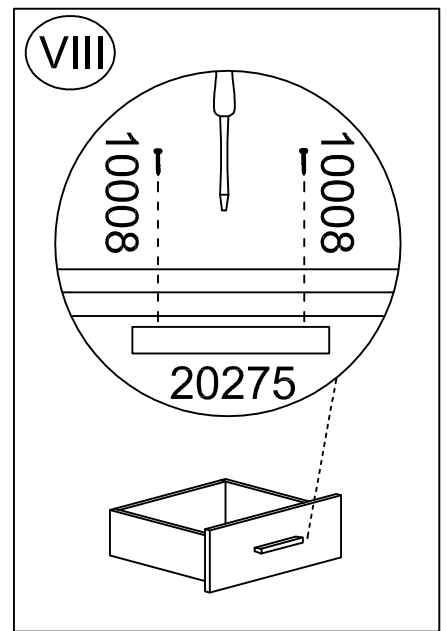
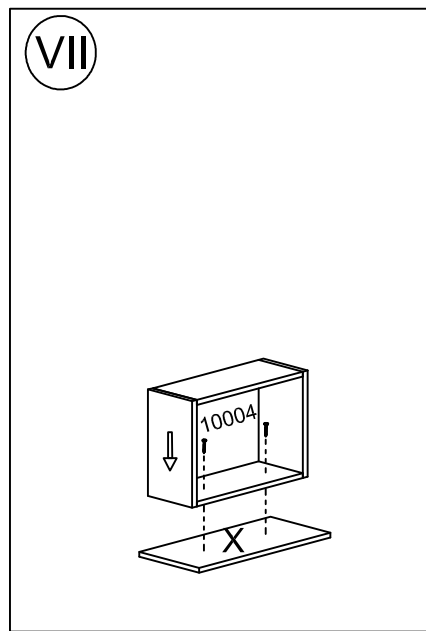
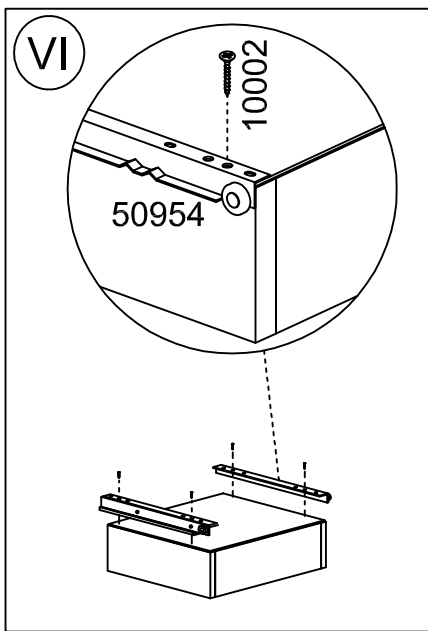
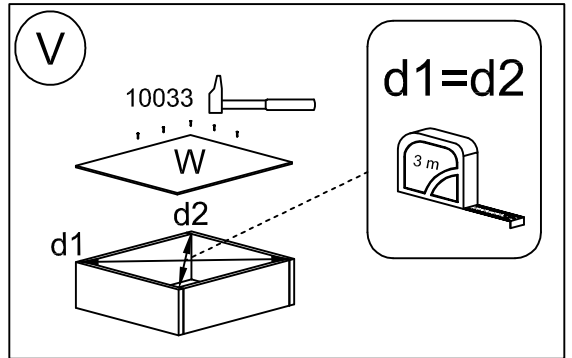
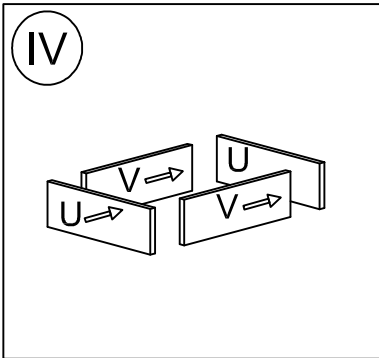
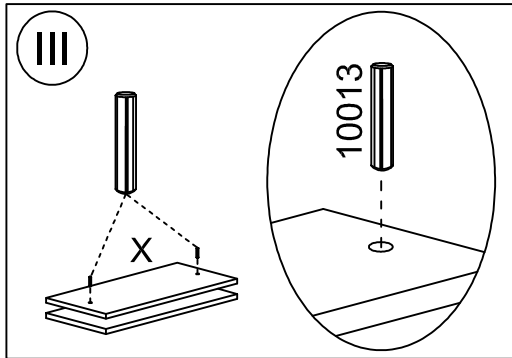
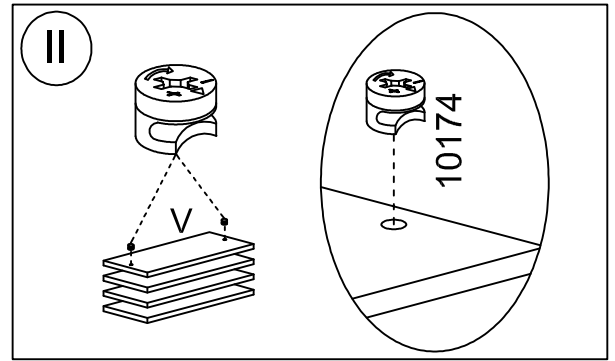
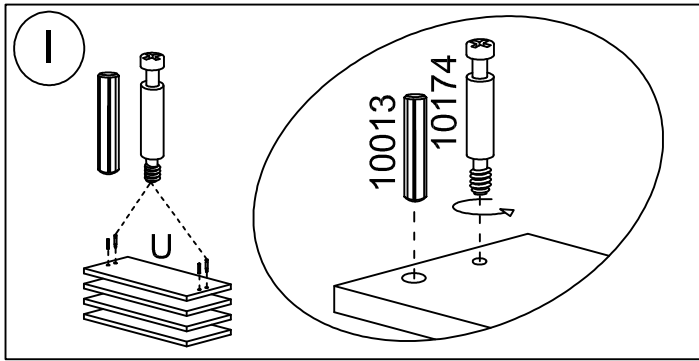


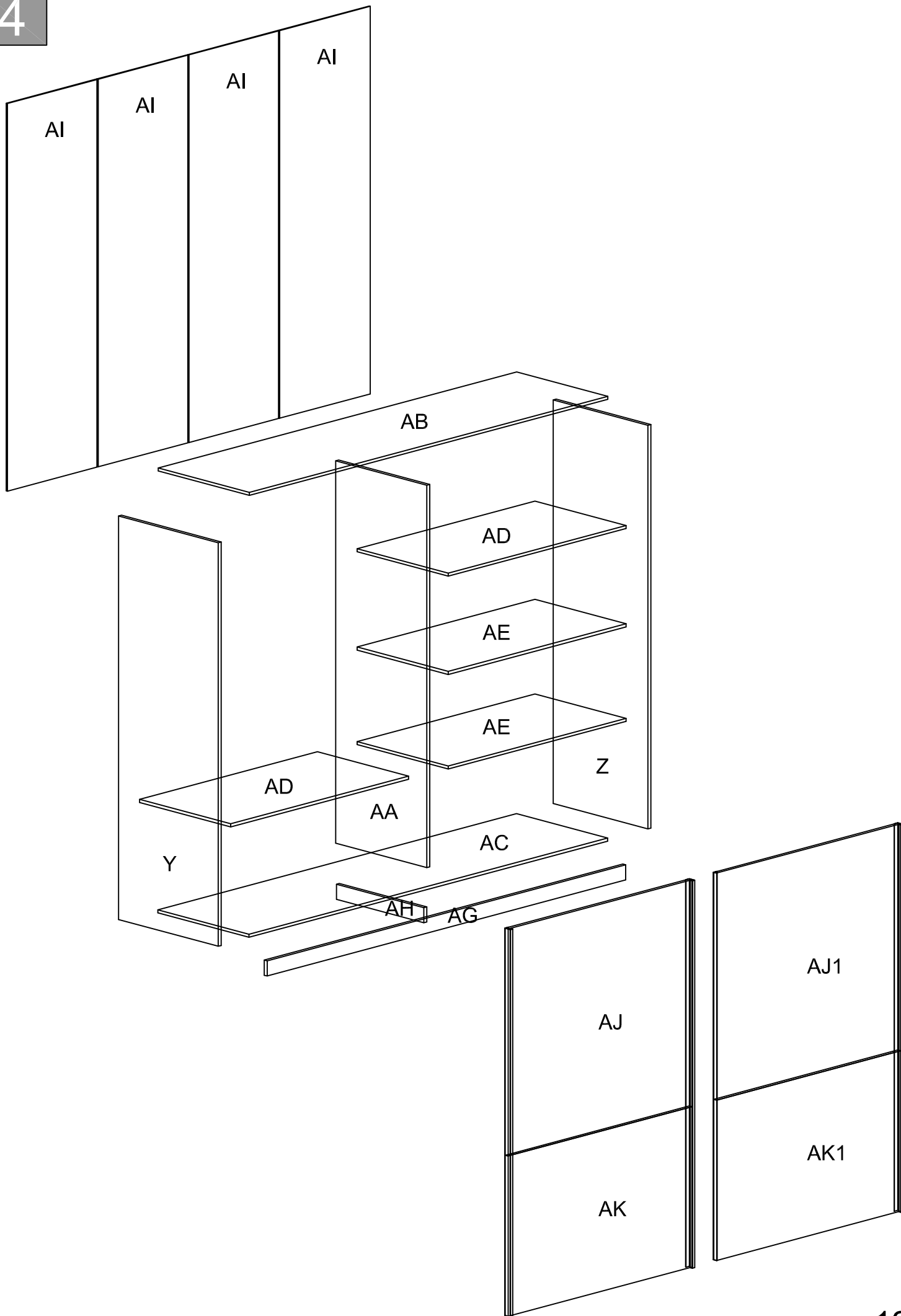
2.4 3.4



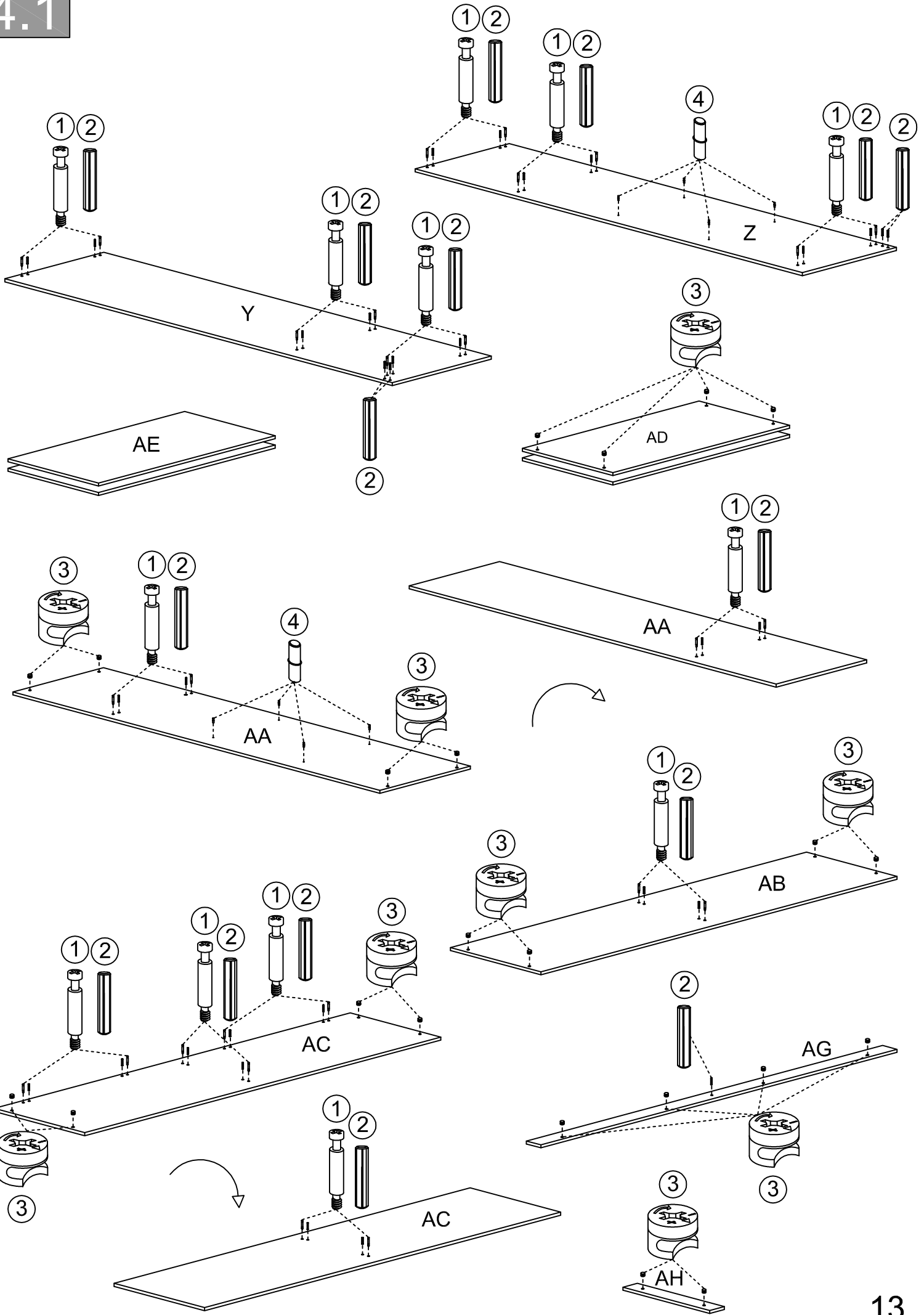
2.5

3.5

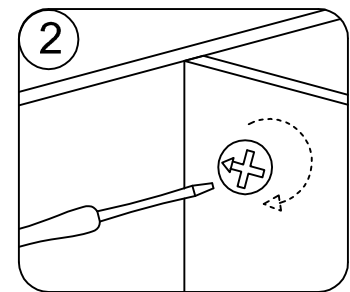
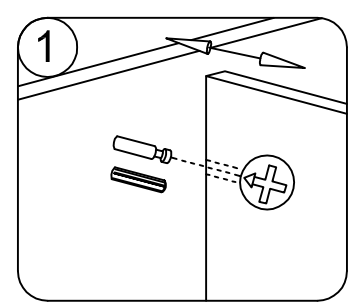
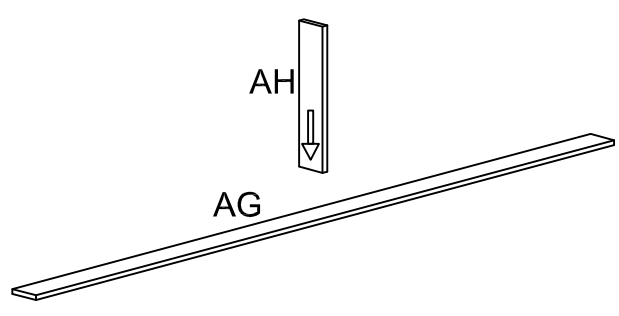




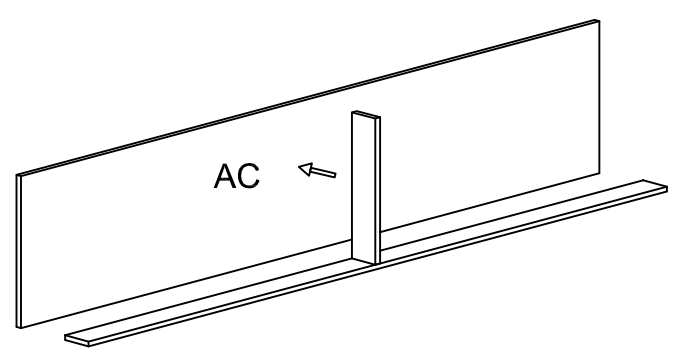
4.1



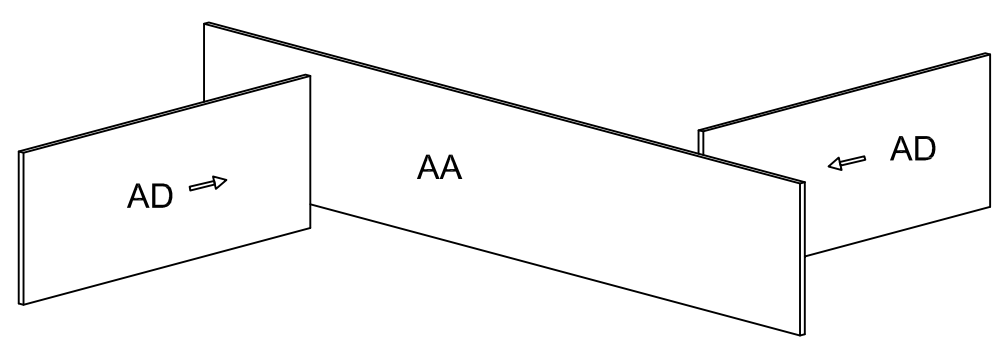
4.2



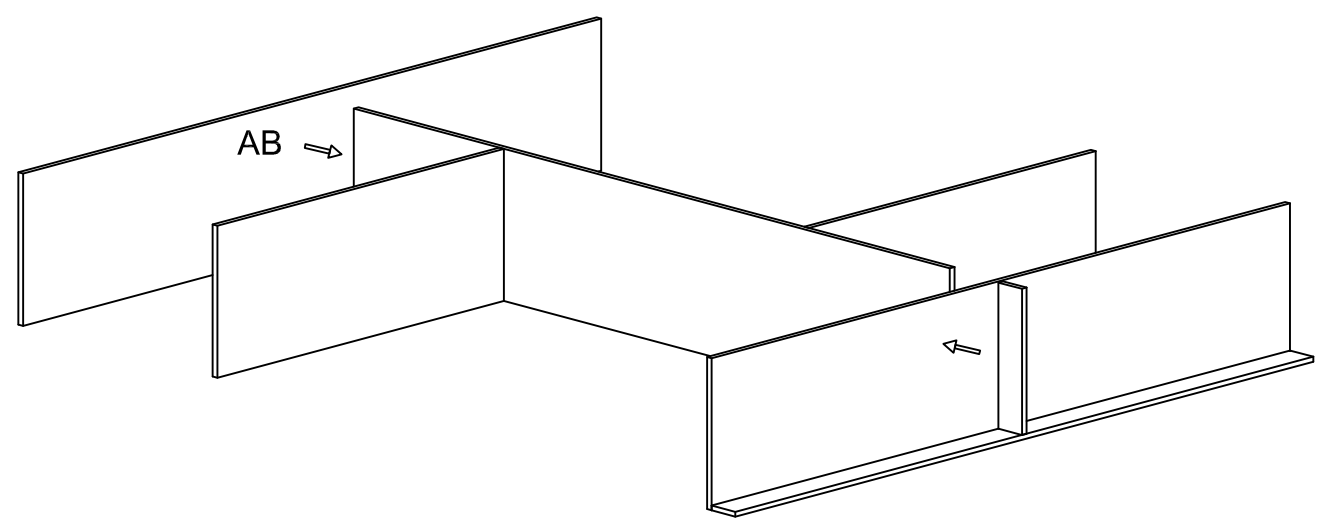
4.3



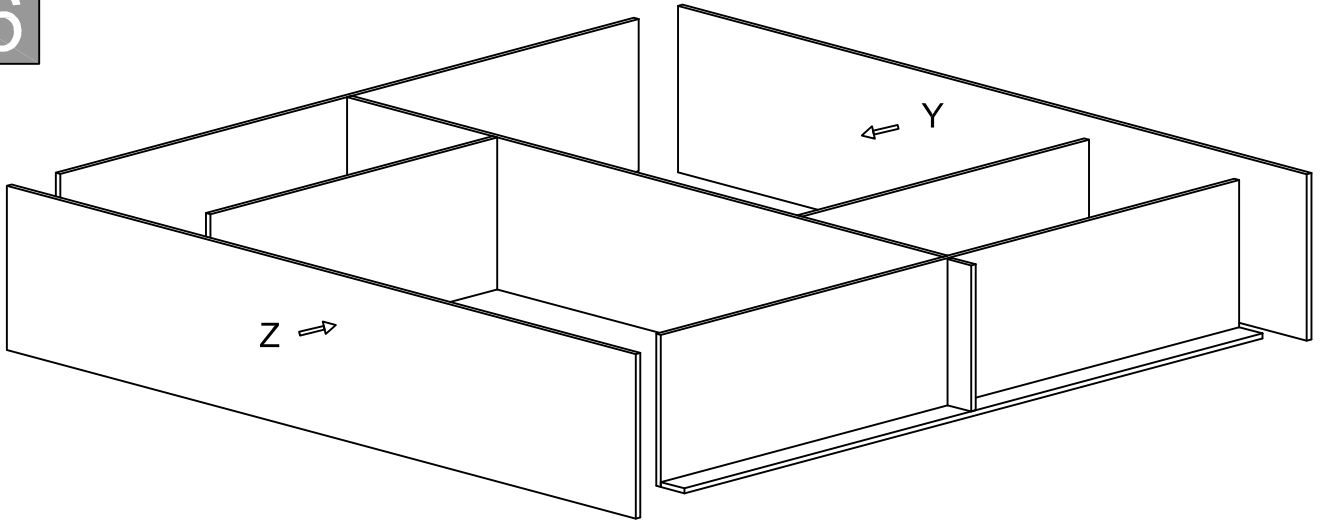
4.4



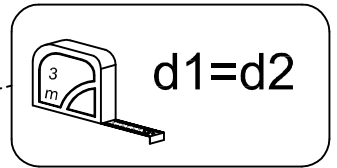
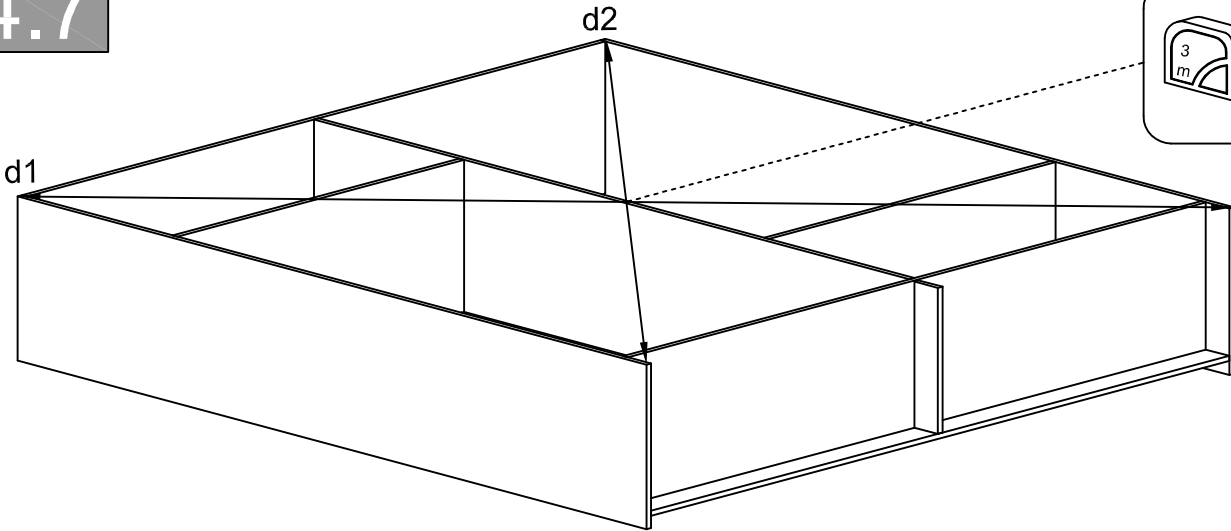
4.5



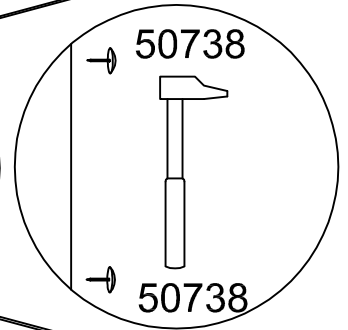
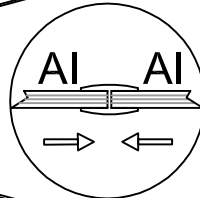
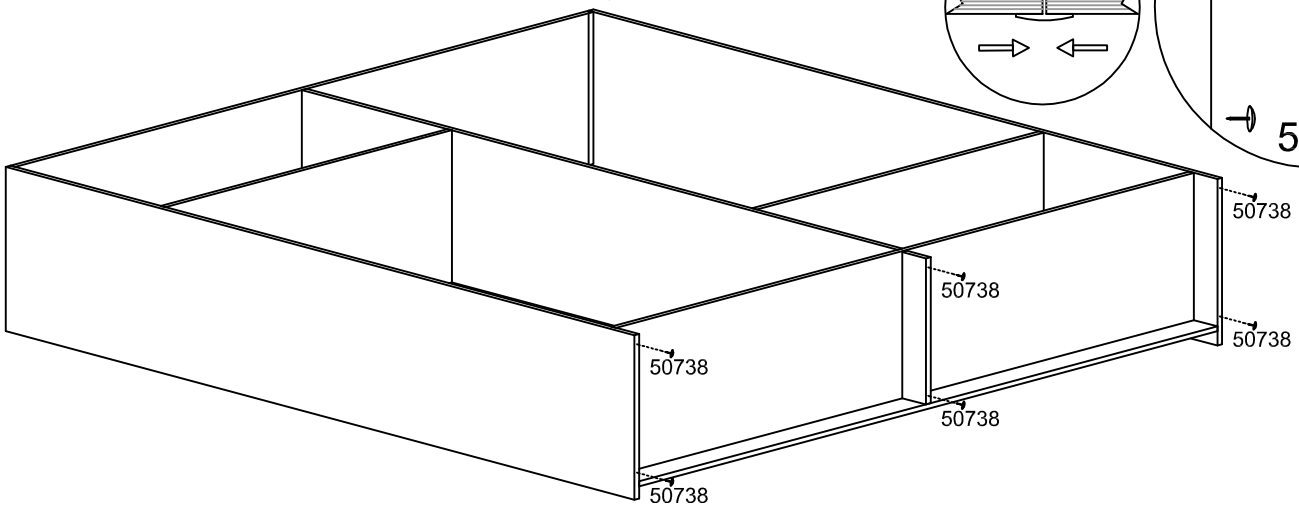
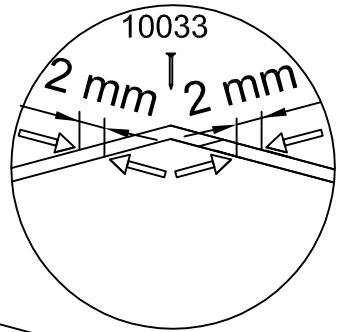
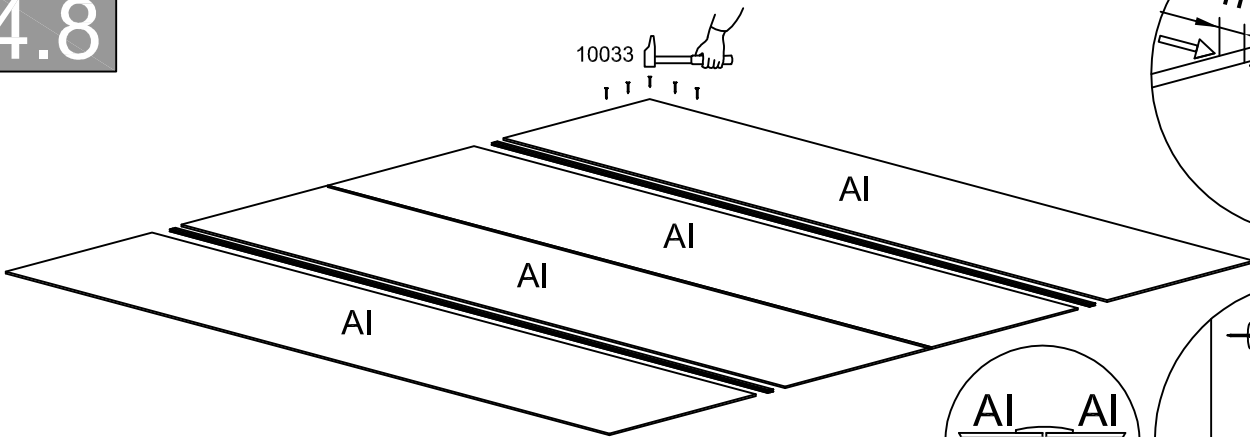
4.6



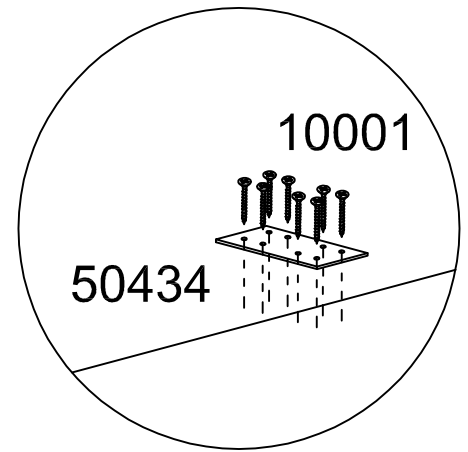
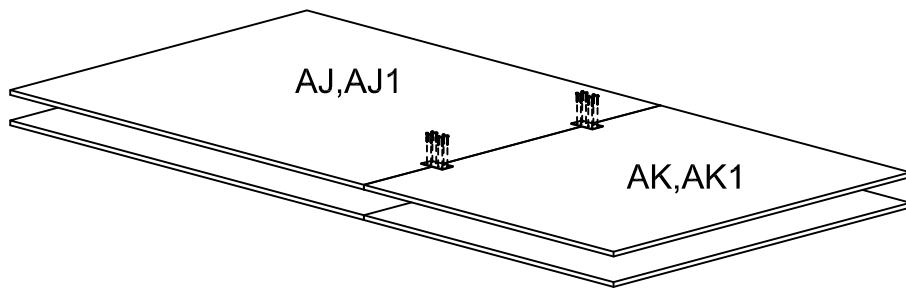
4.7



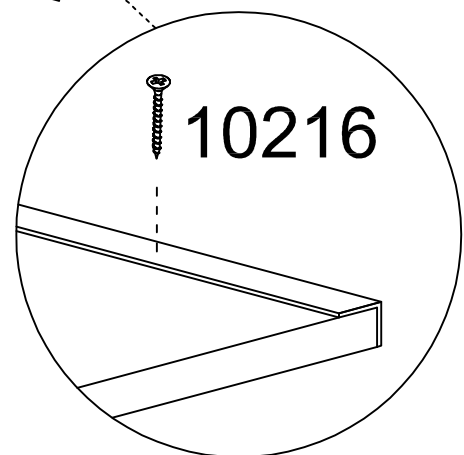
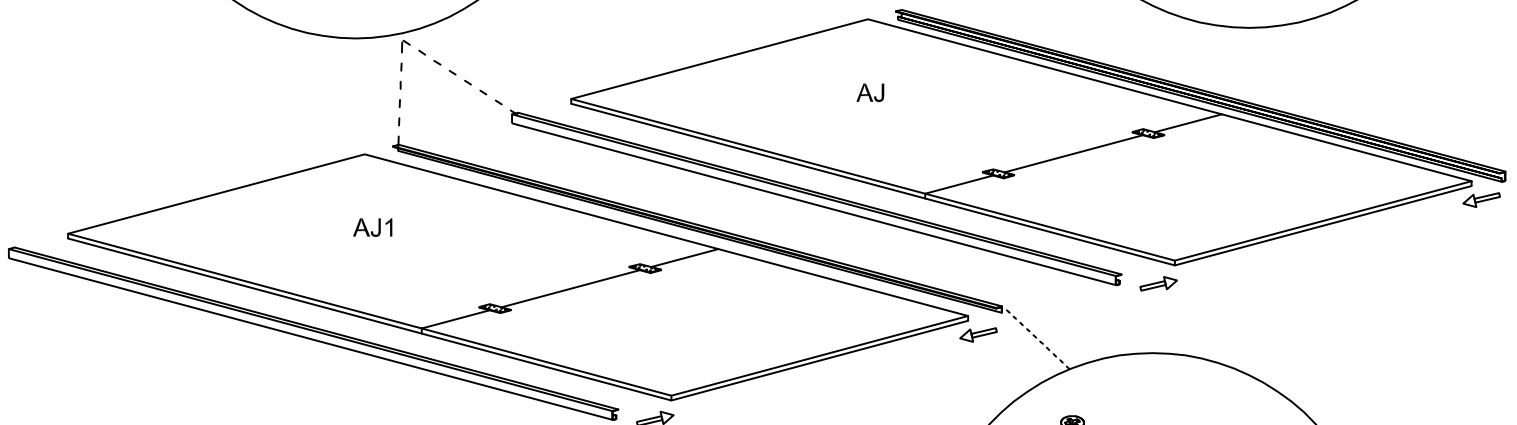
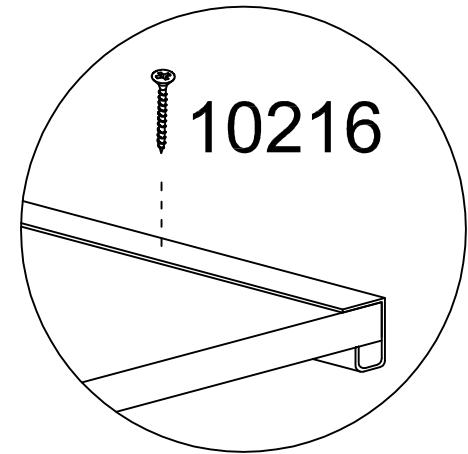
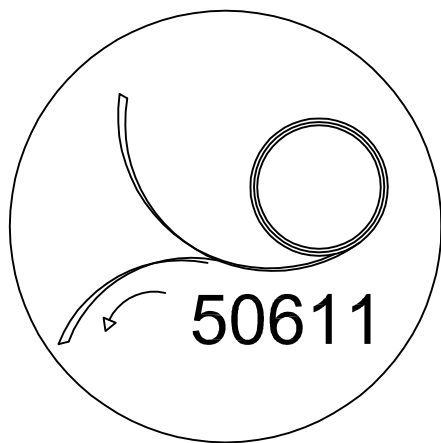
4.8



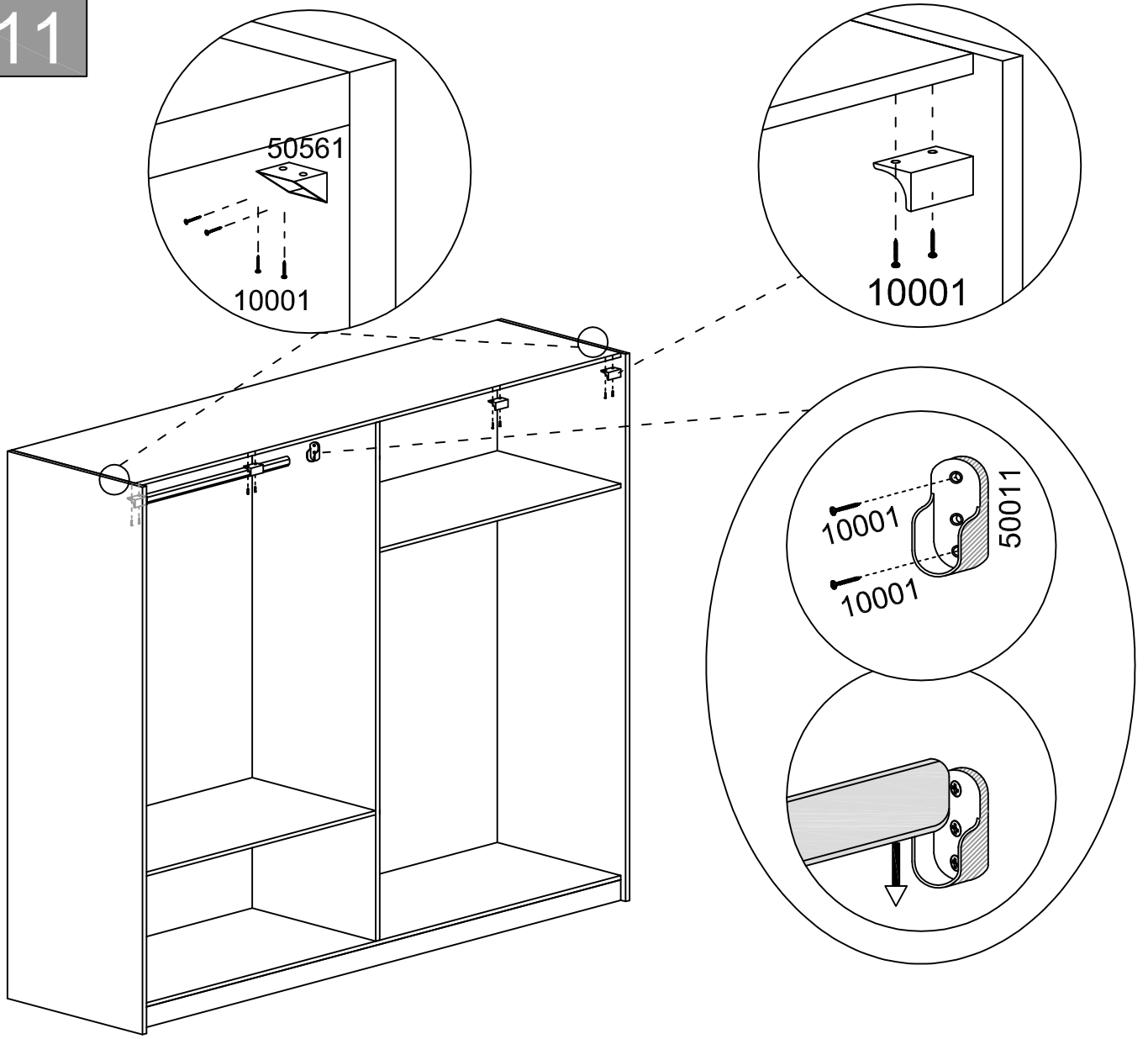
4.9



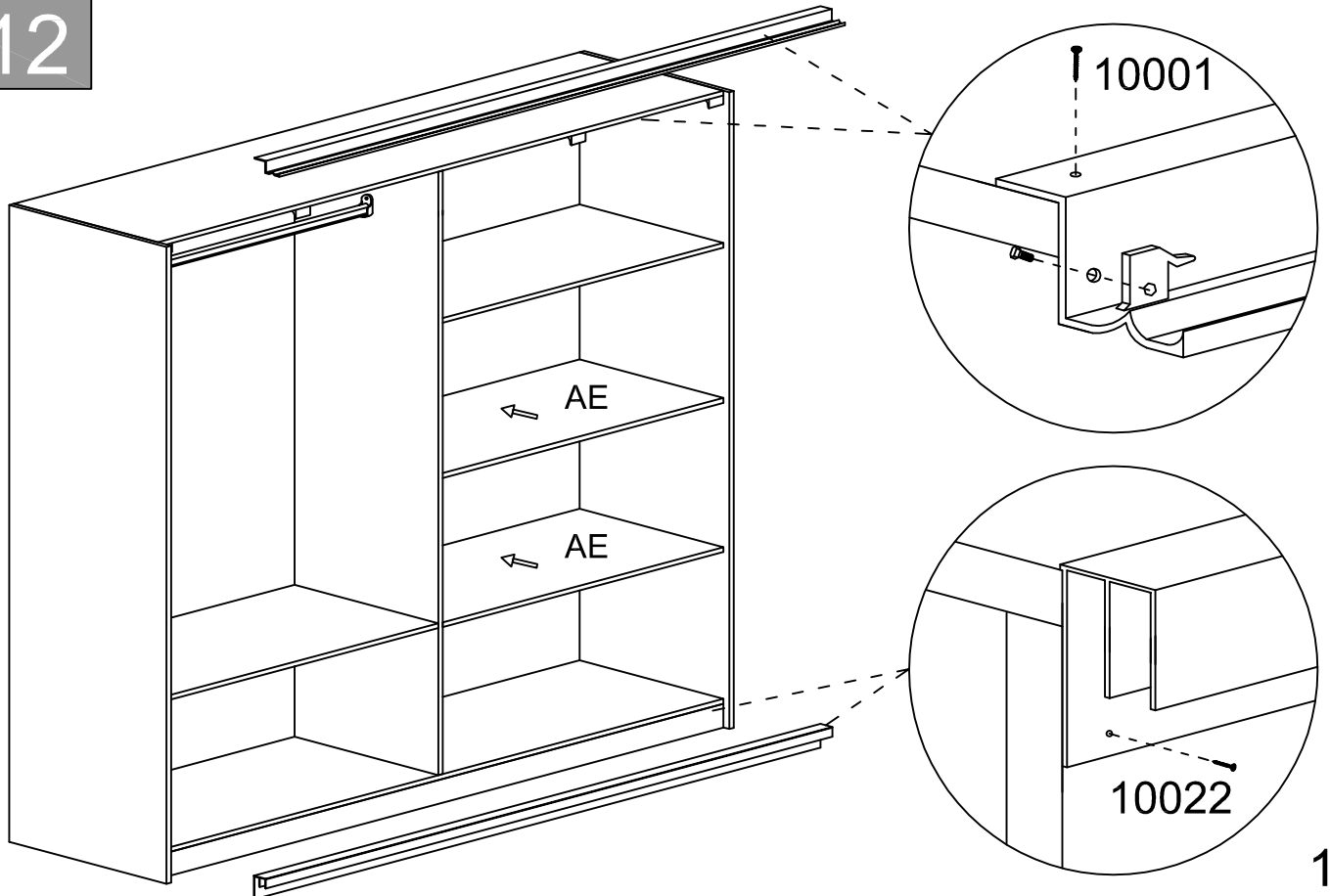
4.10



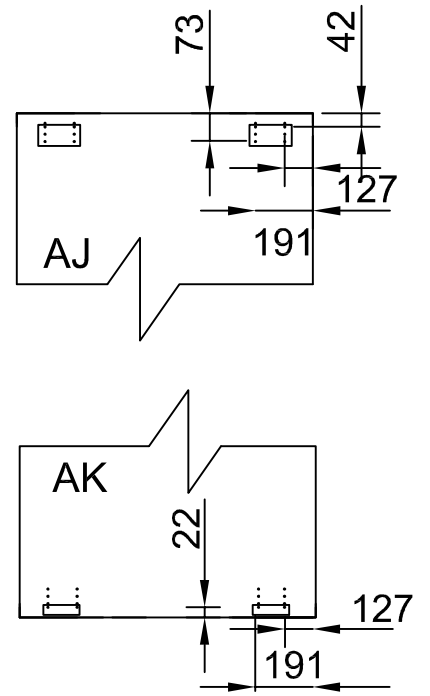
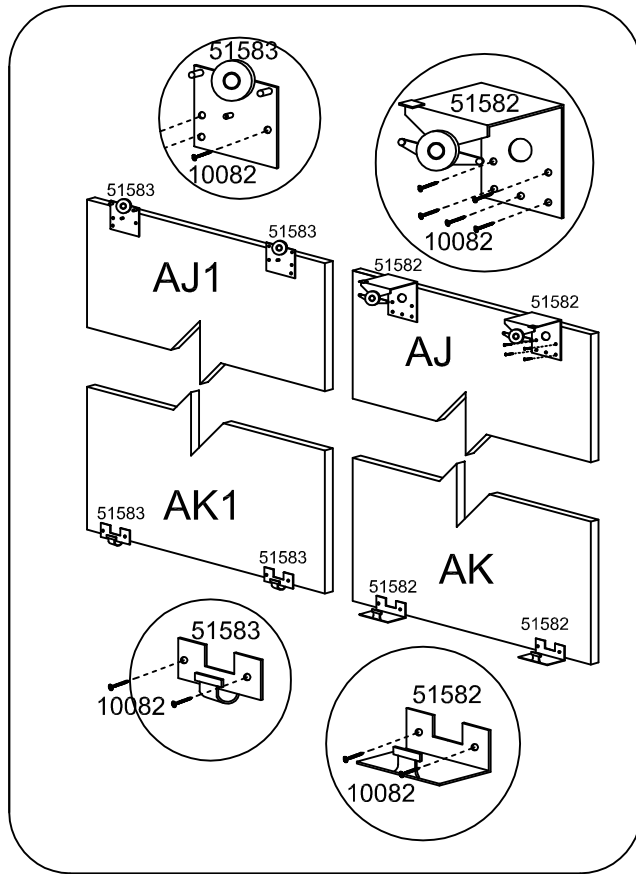
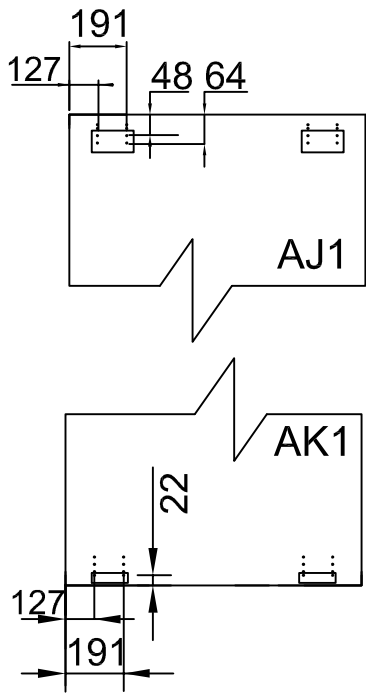
4.11



4.12



4.13



4.14

