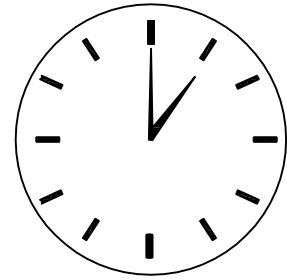
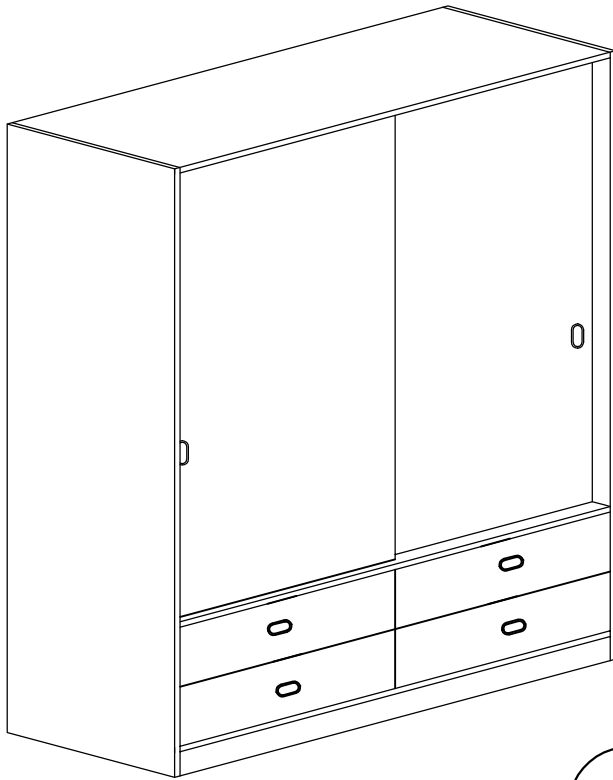
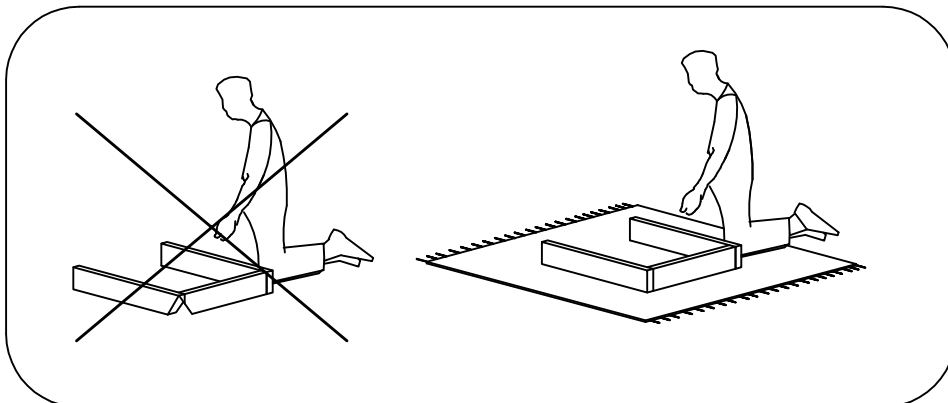
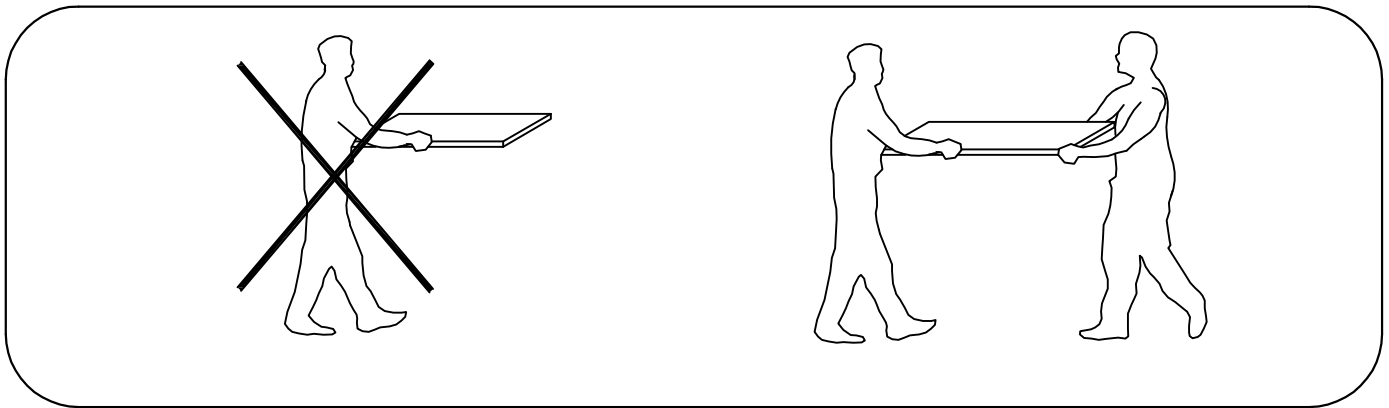
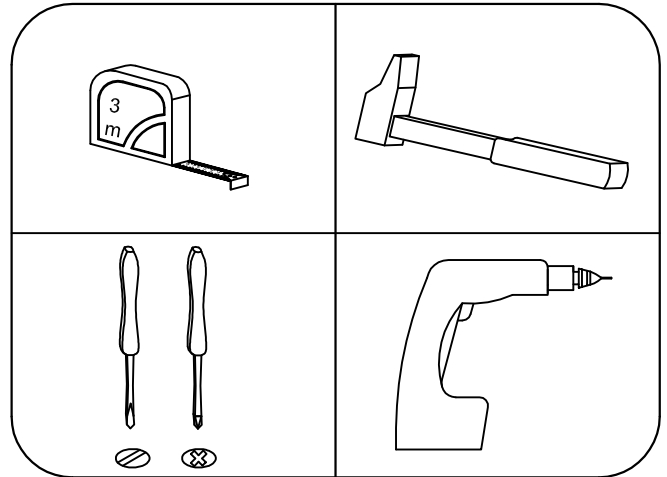
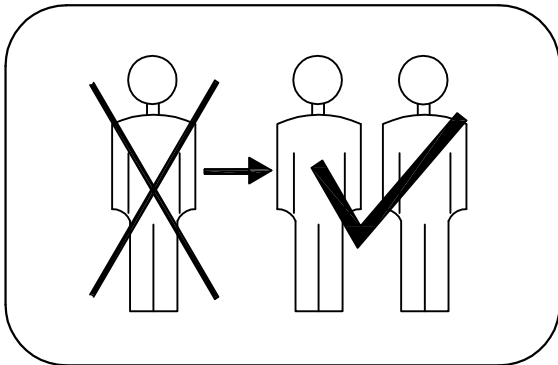


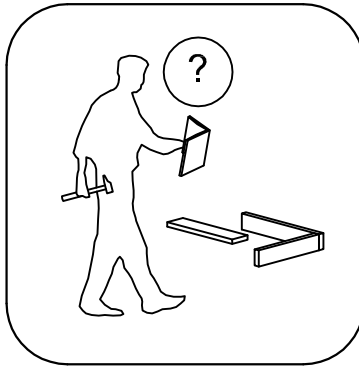
# City 1027

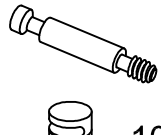

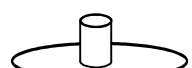
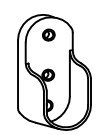
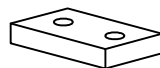


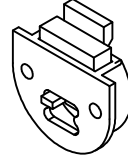


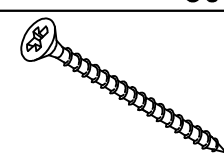
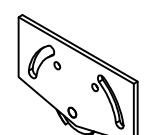
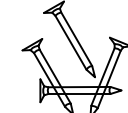


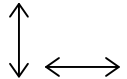
150 min.

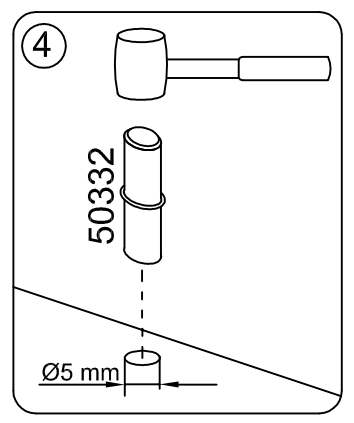
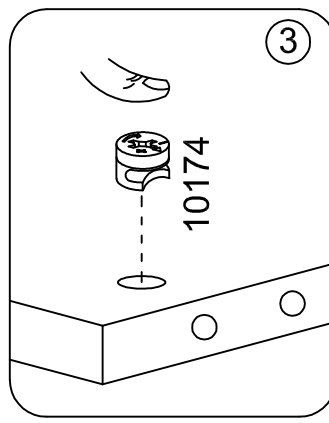
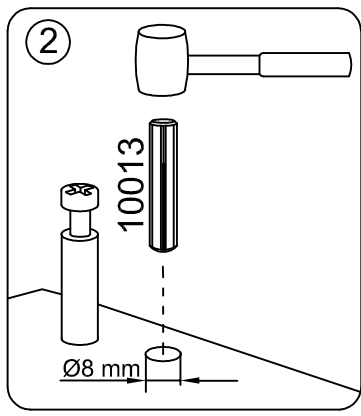
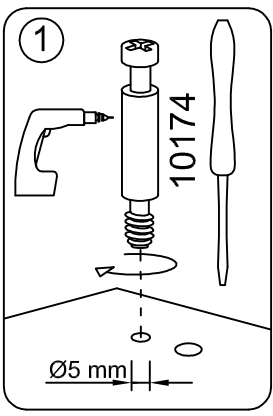


<http://www.irimbg.com/instructions/>

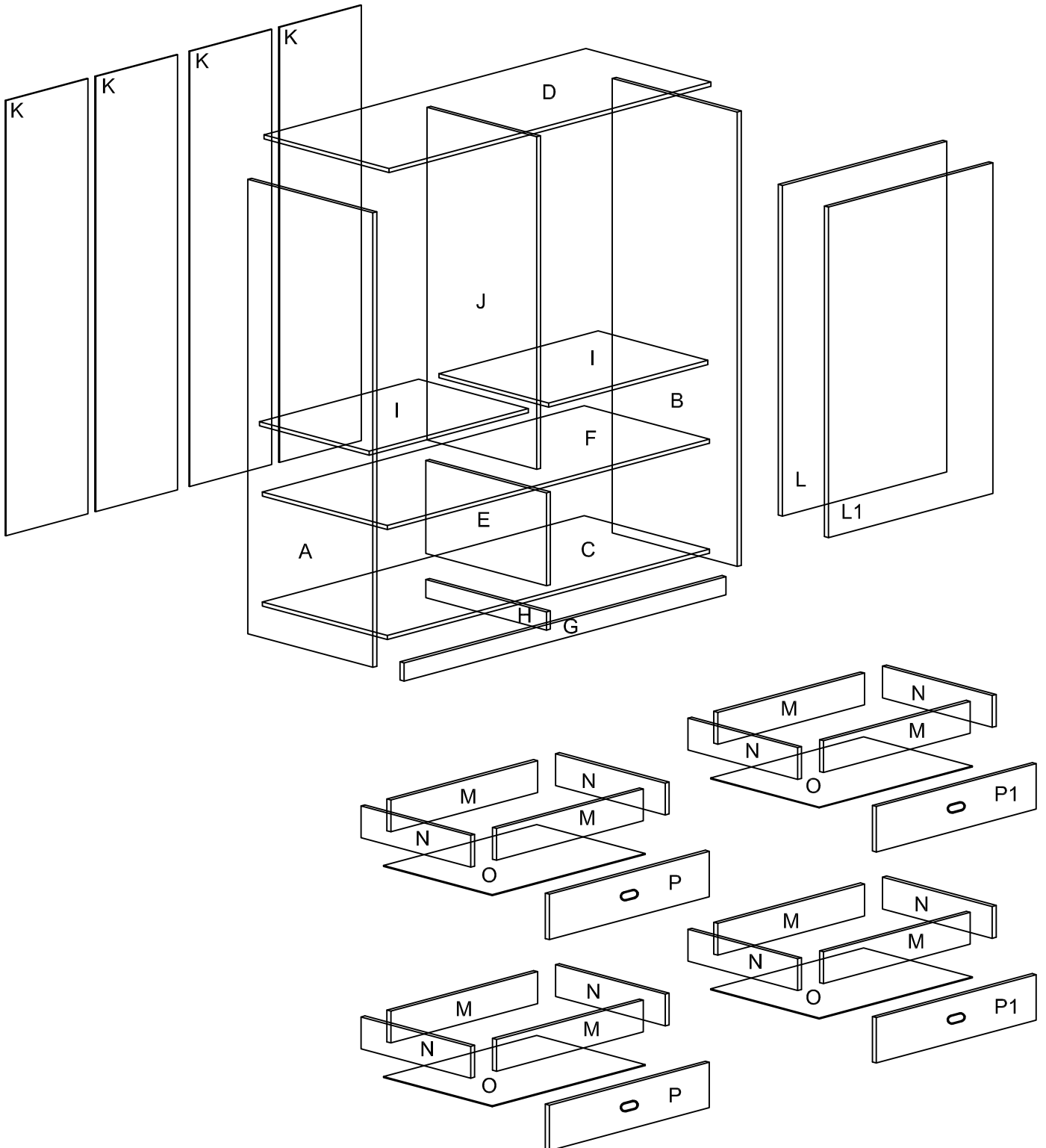


40x  10174	54x  Φ 8/30 10013	40x  50317	4x  50011
6x  50246	4x  L 500 mm 50957	8x  50332	4x  50724
53x  Φ 3,5/16 10001	37x  Φ 3,5/20 10002	8x  Φ 3,5/30 10004	4x  50725
			 10033

		Box number
A	2000x570	1/5
B	2000x570	1/5
C	1468x570	2/5
D	1468x570	2/5
E	409x550	4/5
F	1468x570	2/5
G	1468x80	3/5
H	550x80	4/5
I	2x 726x500	4/5
J	1463x500	3/5
K	4x 1915x373	1/5
L,L1	2x 1455x750	5/5
M	8x 669x140	4/5
N	8x 500x140	4/5
O	4x 698x495	3/5
P,P1	4x 198x729	3/5

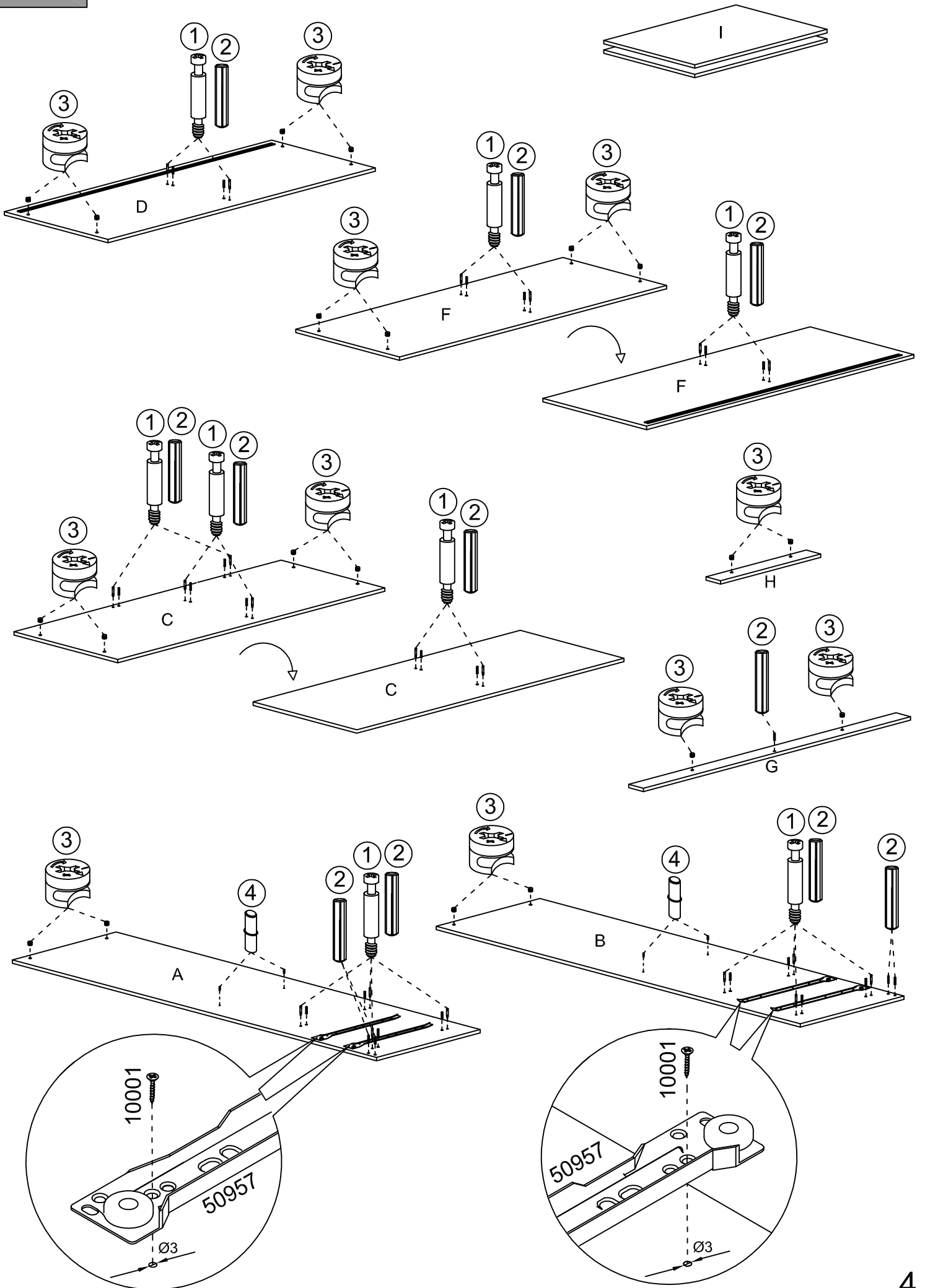


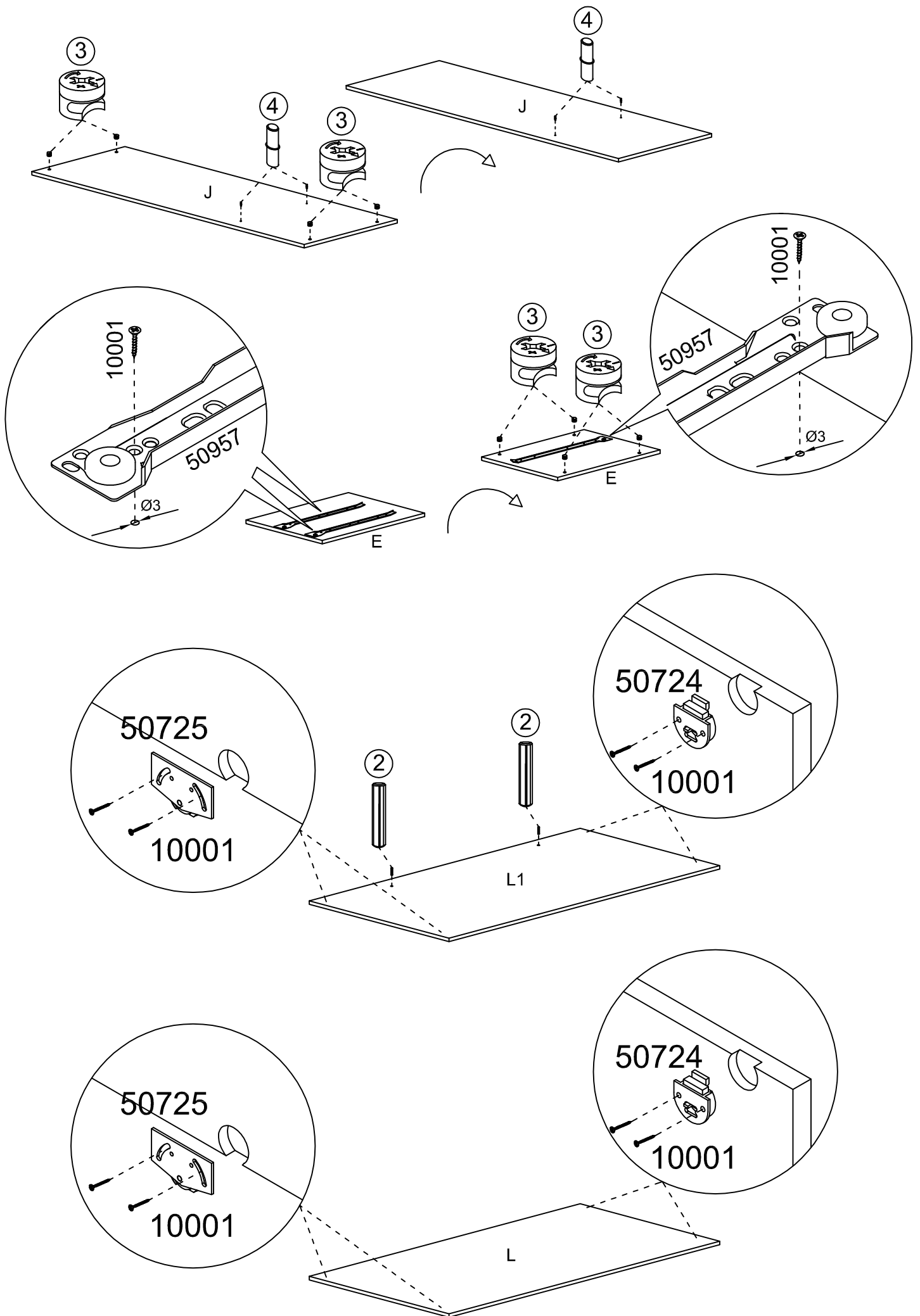
1



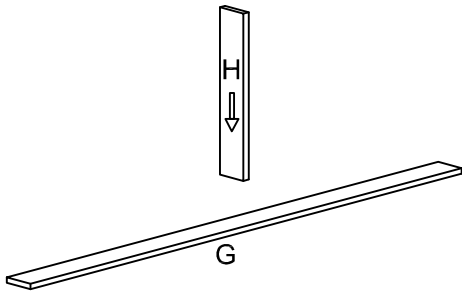
3

# 1.1

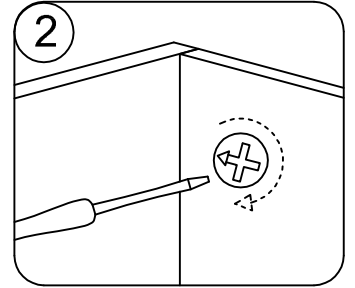
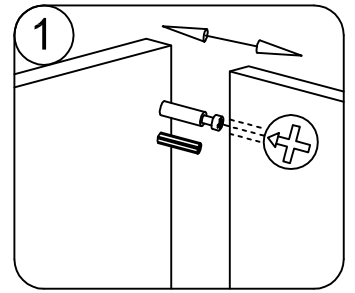
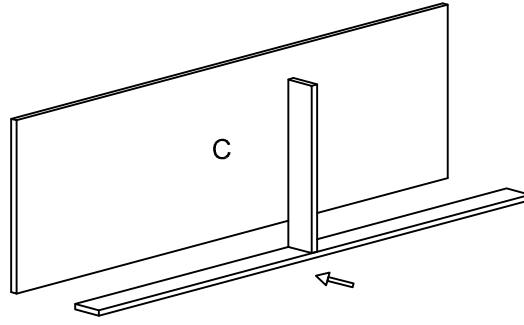




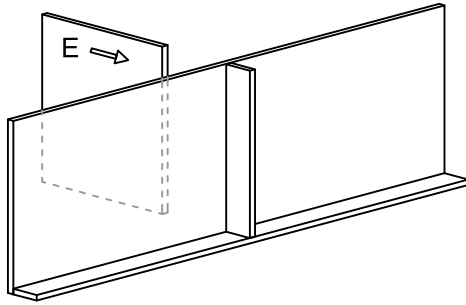
1.2



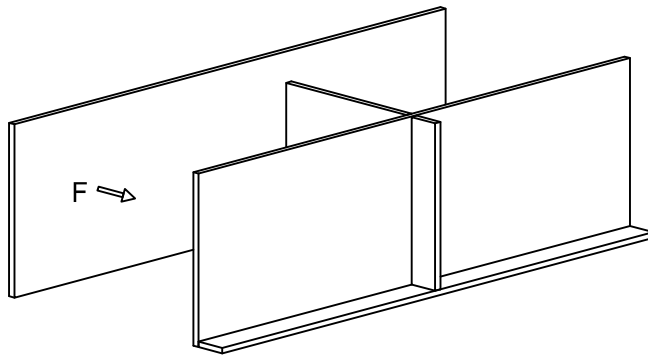
1.3



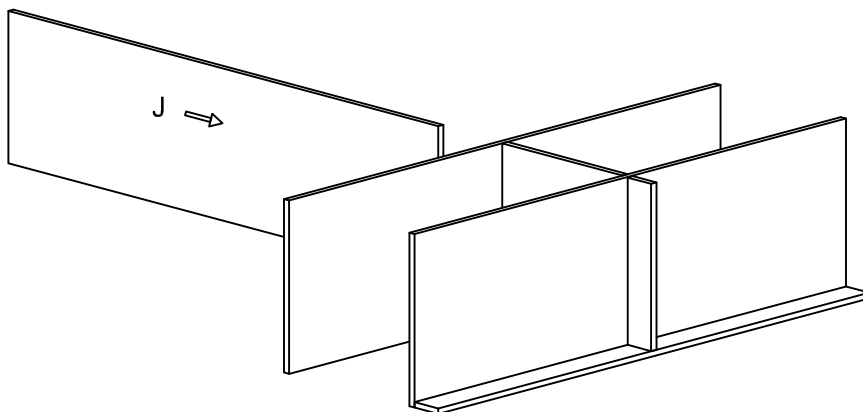
1.4



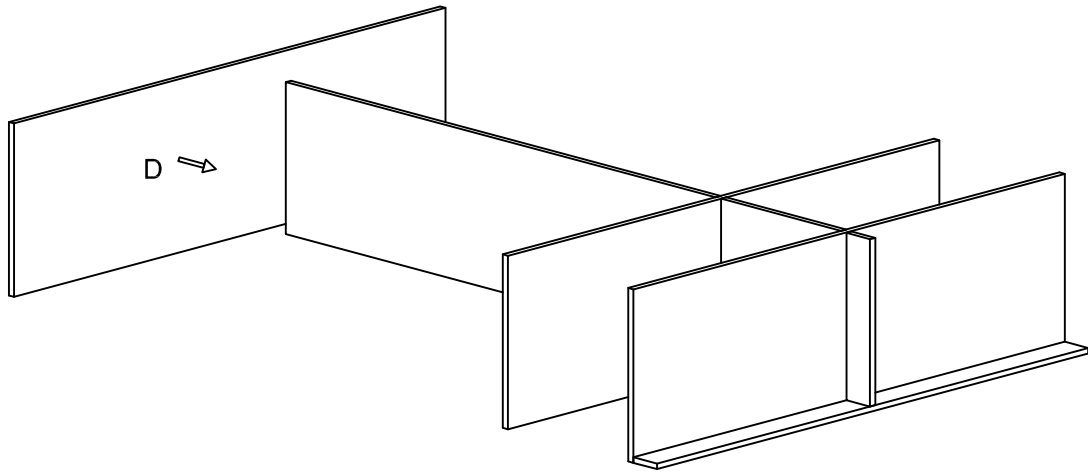
1.5



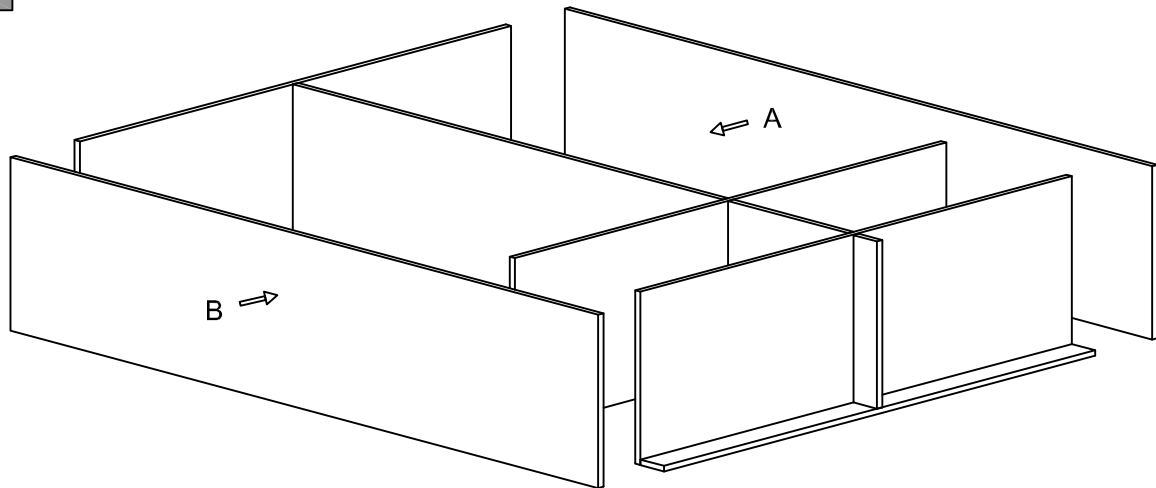
1.6



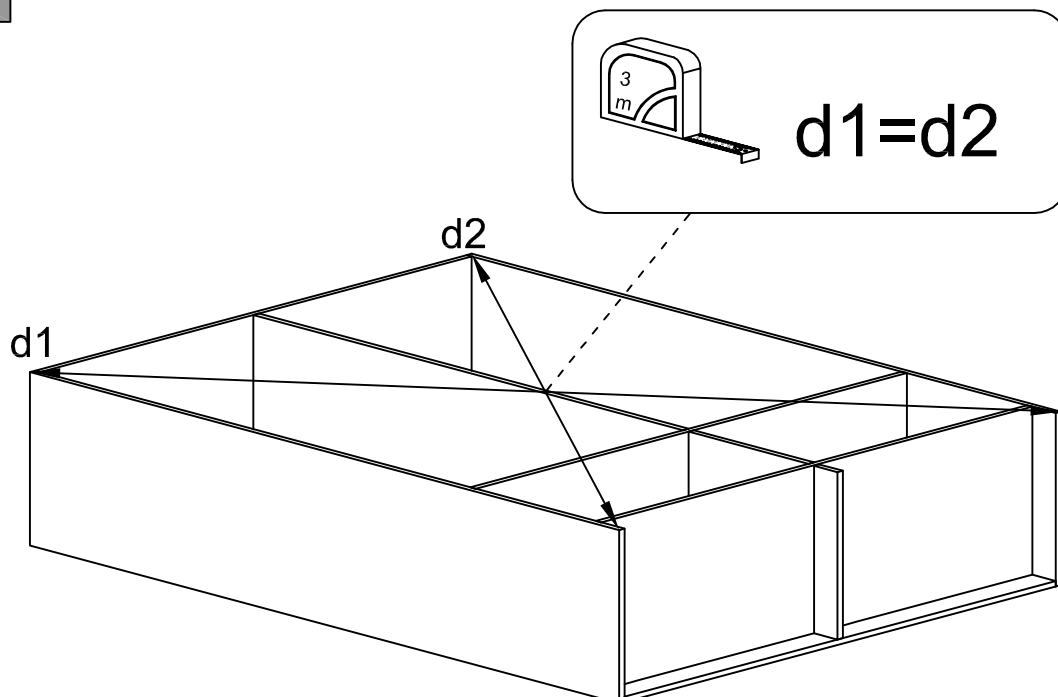
1.7



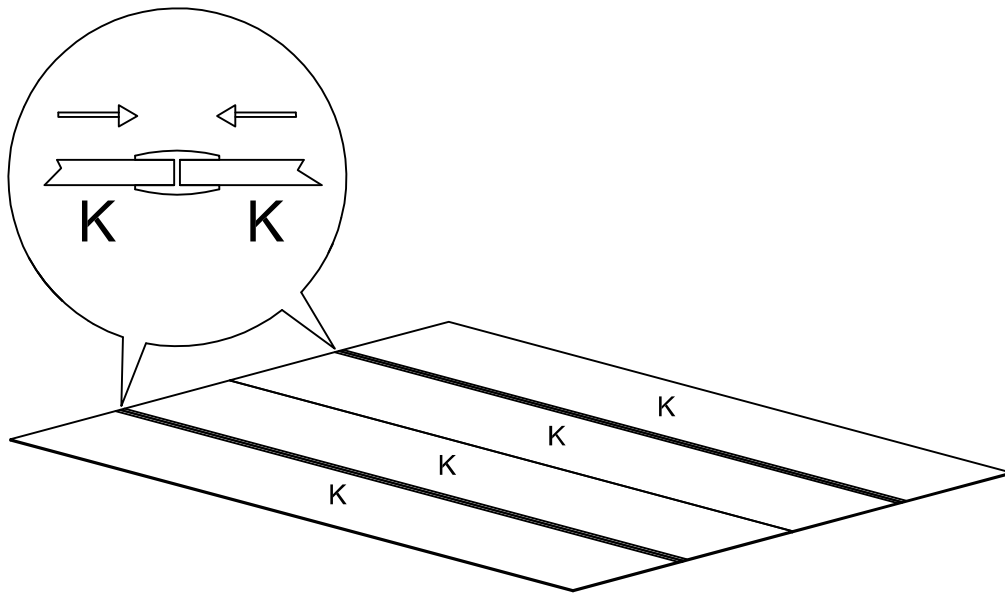
1.8



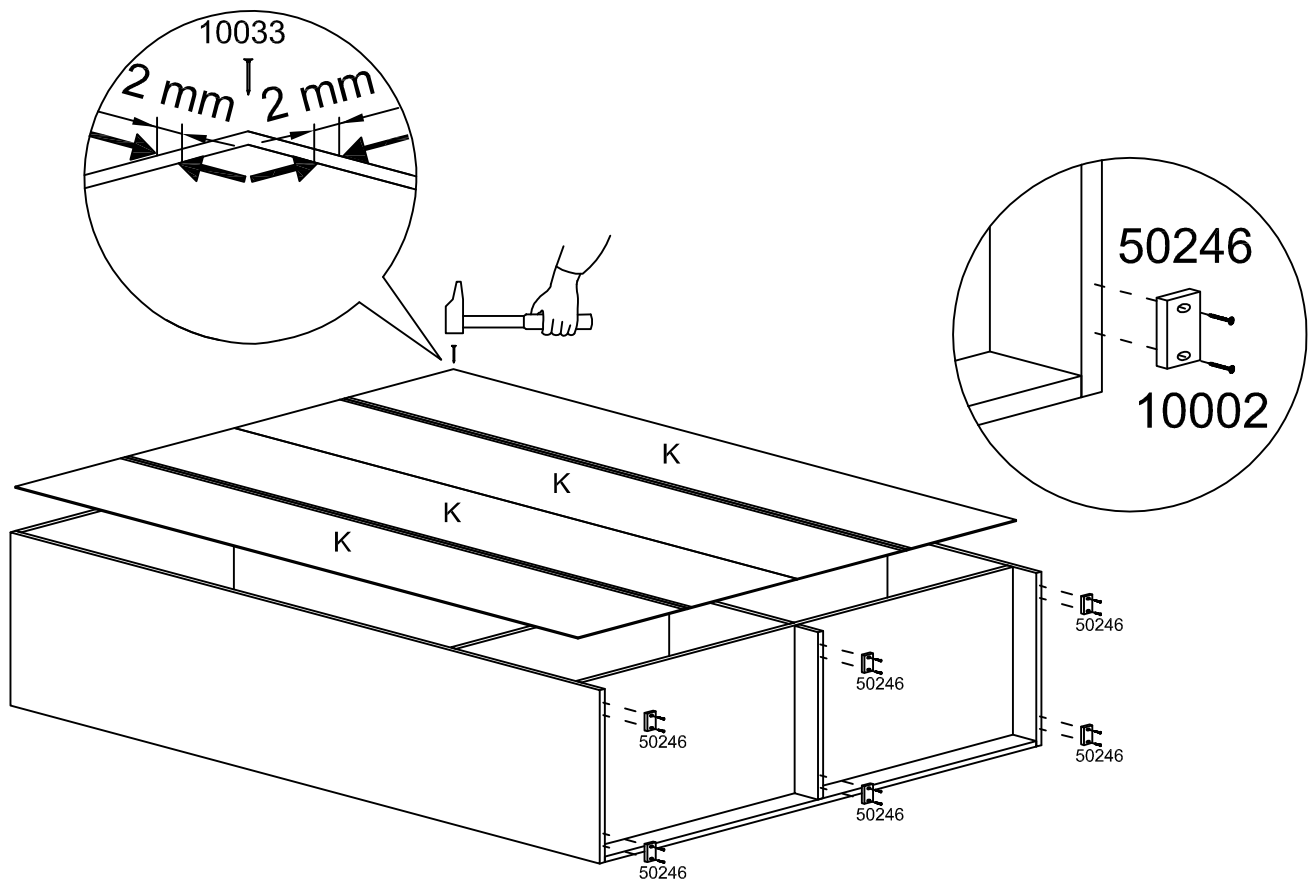
1.9



# 1.10

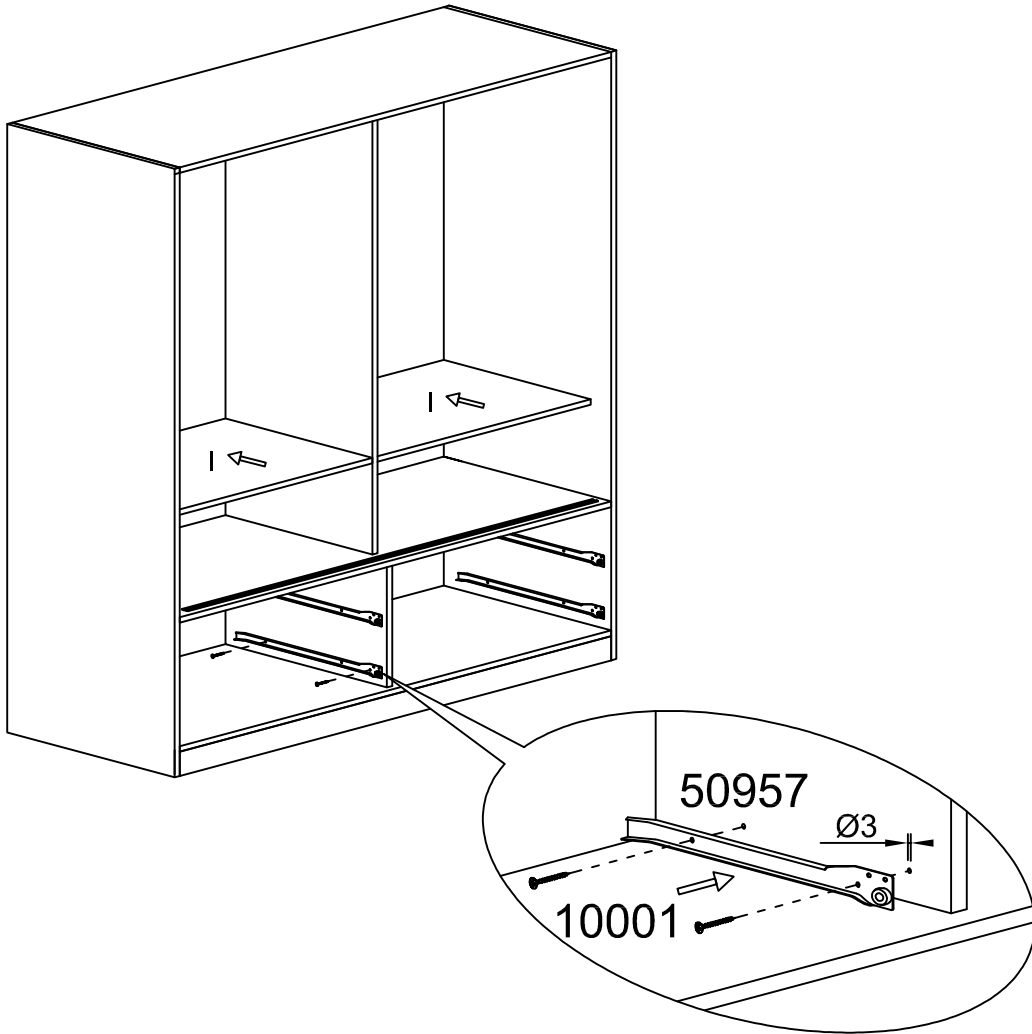


# 1.11

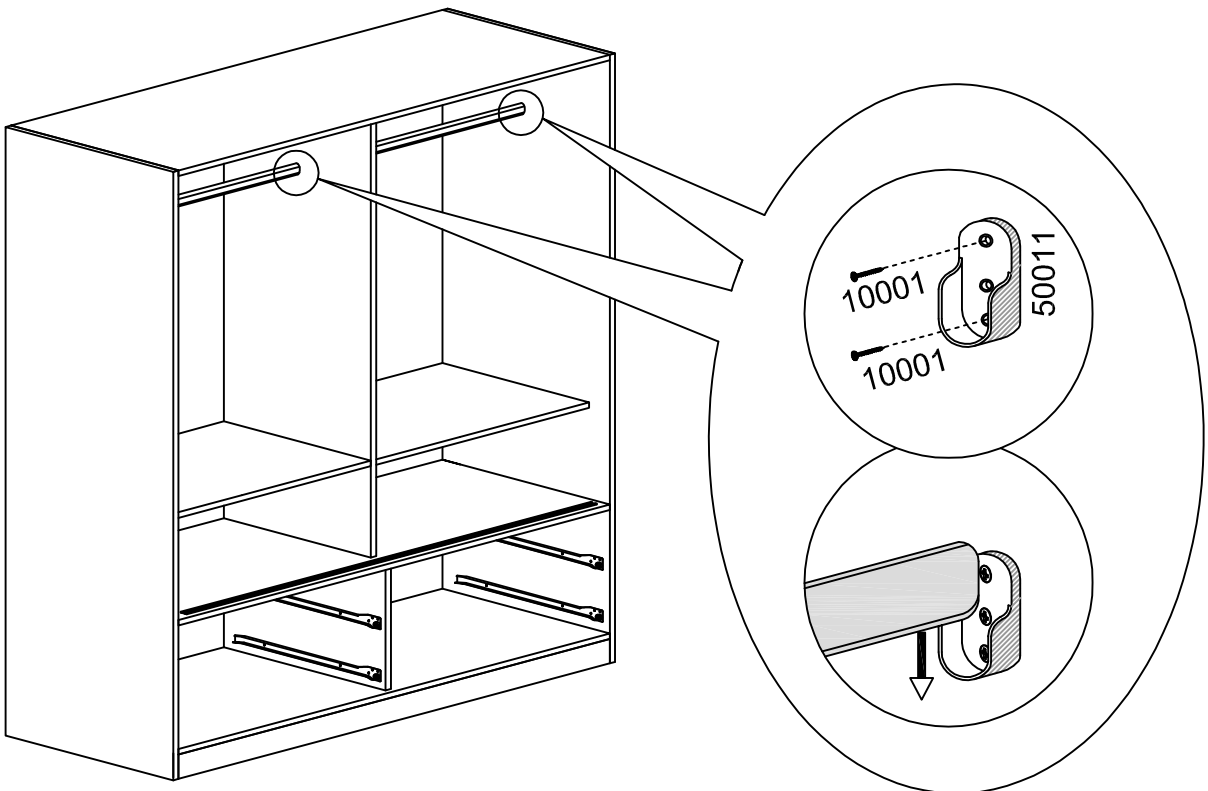




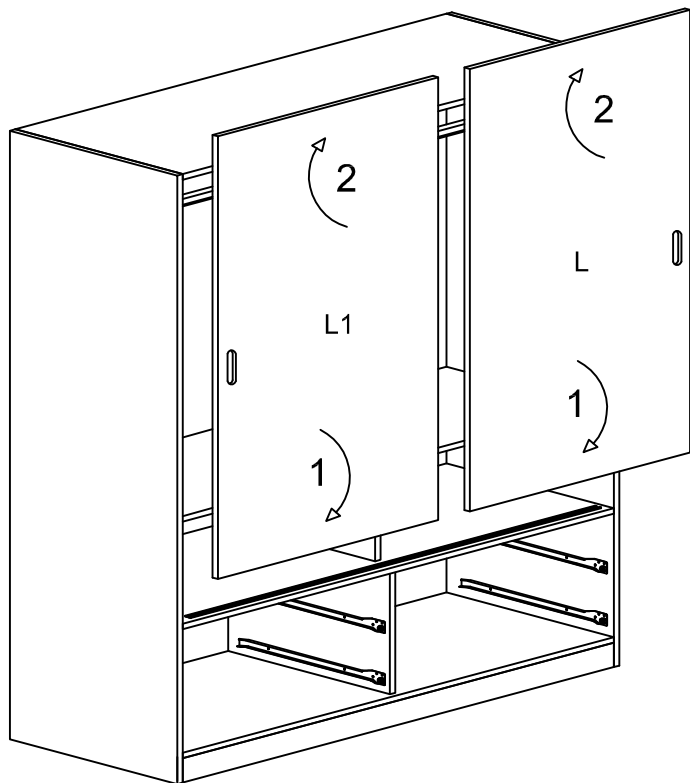
# 1.12



# 1.13



# 1.14



# 1.15

