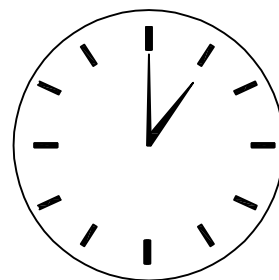
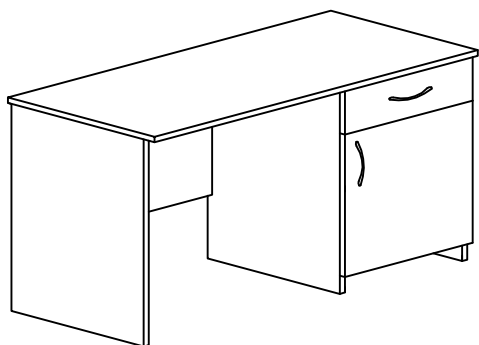
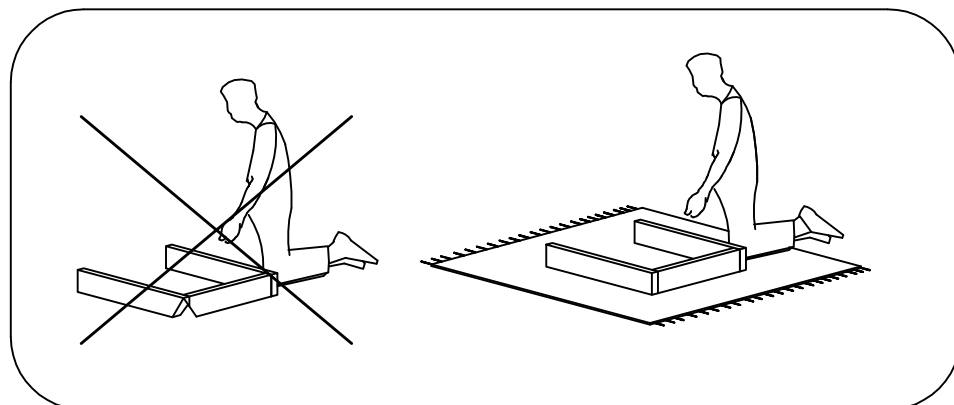
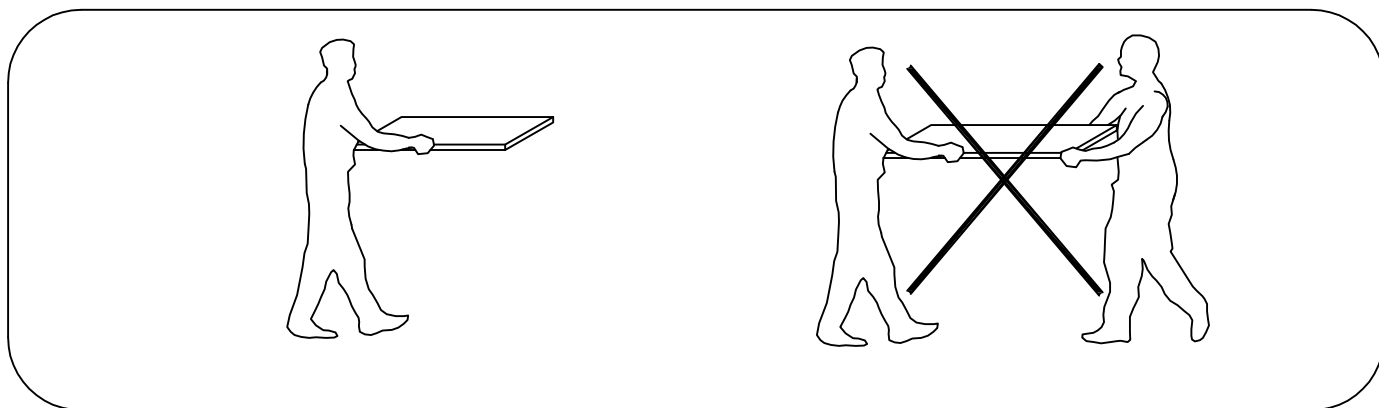
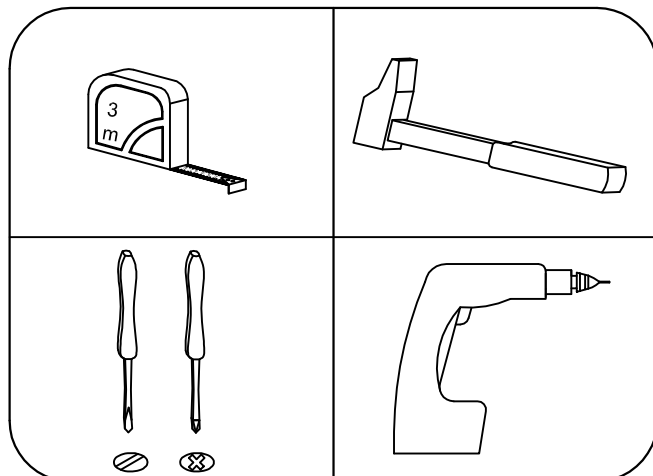
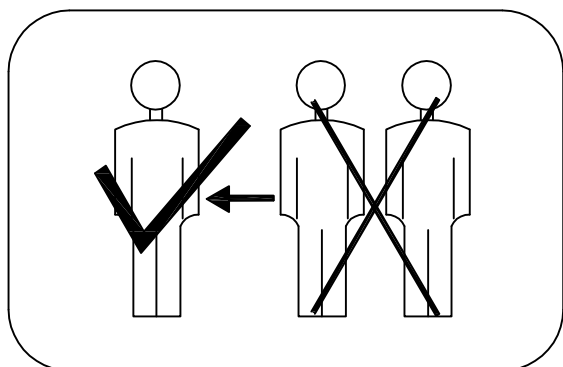


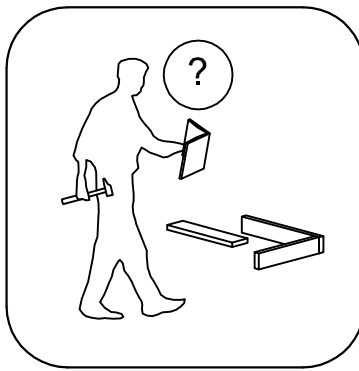
# City 3050



60 min.



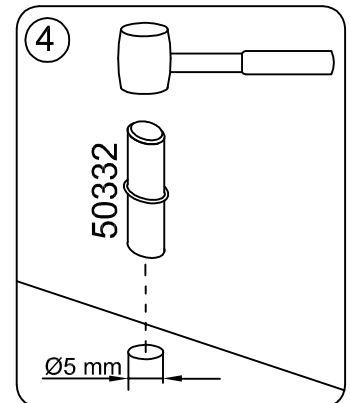
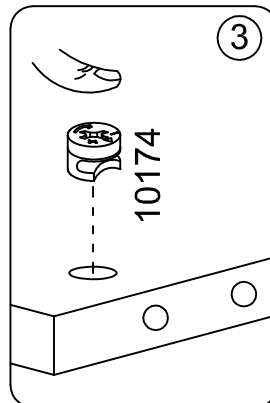
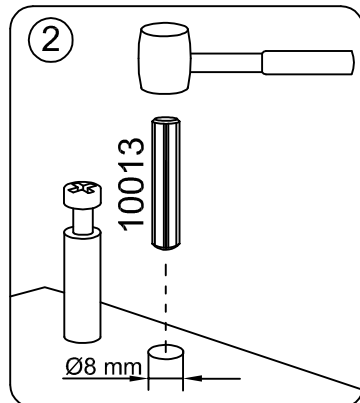
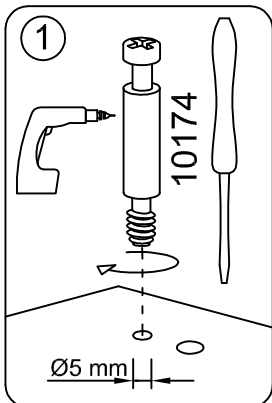
<http://www.irimbg.com/instructions/>



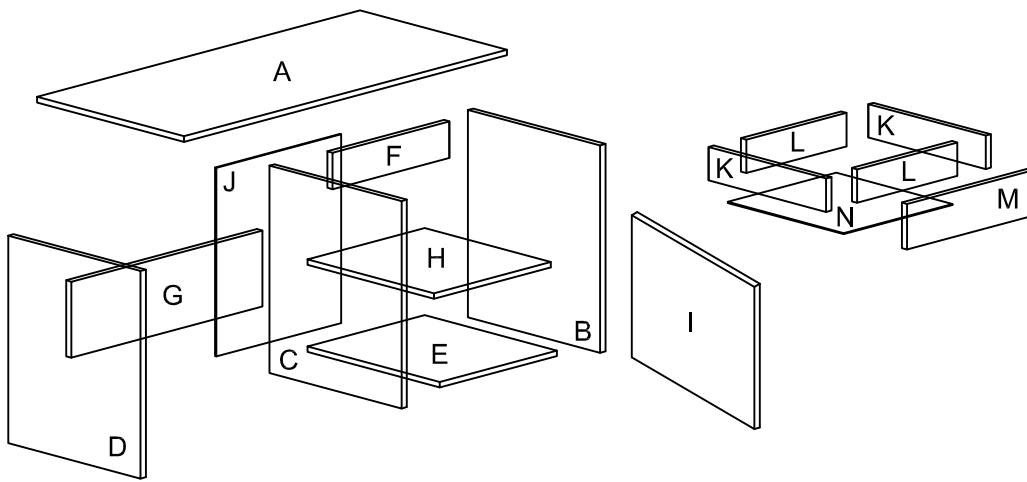
16x  10174	20x  $\Phi$ 8/30 10013	16x  50317	2x  20237
1x  L 400 mm 50955	6x  50249	2x  40158	4x  50332
2x  M 4x18 10186	2x  M 4x35 10053	16x  $\Phi$ 3,5/16 10001	20x  $\Phi$ 3,5/20 10002
2x  $\Phi$ 3,5/30 10004	8x  $\Phi$ 3,5/35 10005	 10033	

		Box number
A	1100x500	1/1
B	684x460	1/1
C	684x460	1/1
D	684x460	1/1
E	398x460	1/1
F	398x120	1/1
G	650x250	1/1

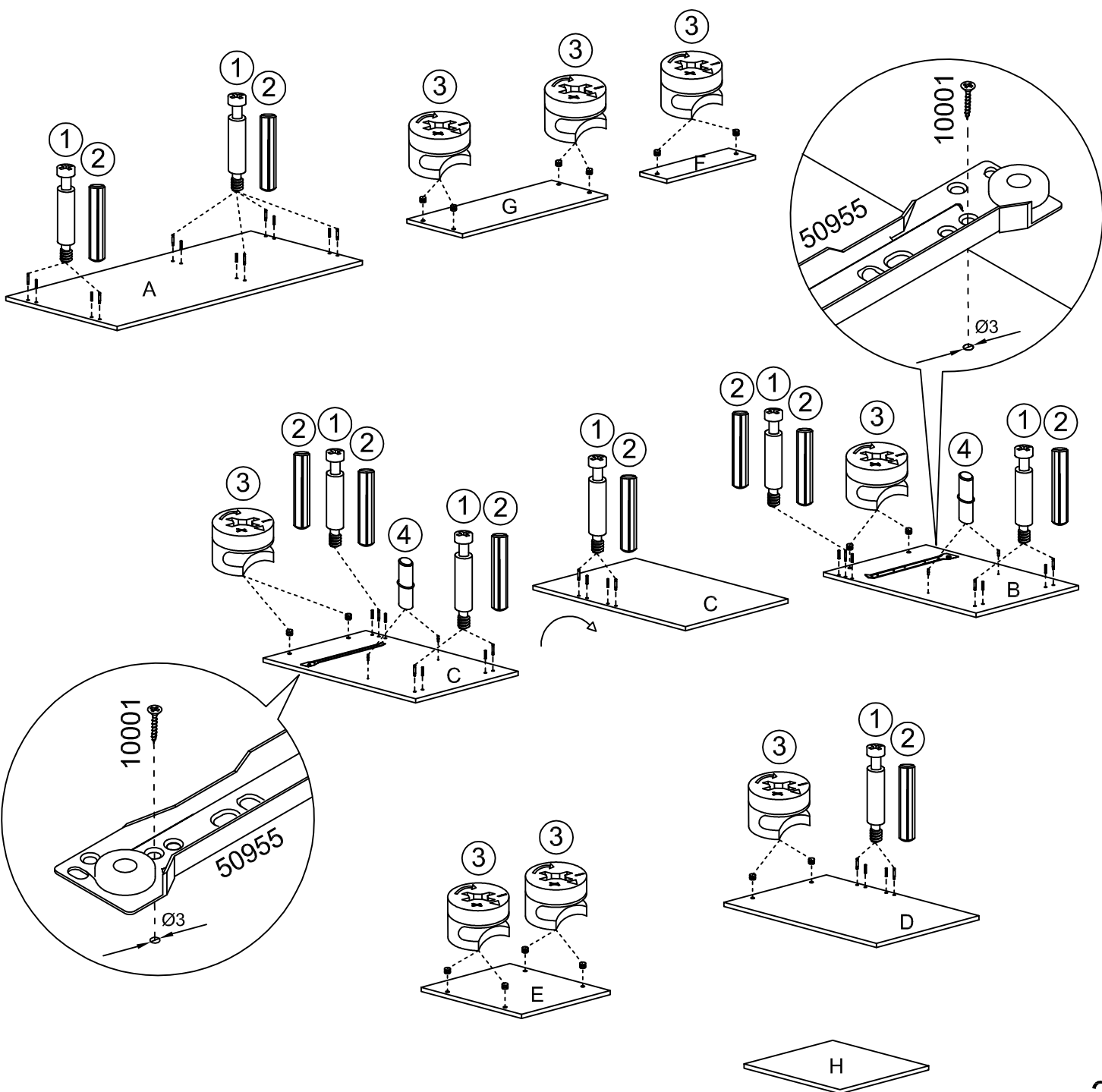
		Box number
H	398x440	1/1
I	468x427	1/1
J	425x620	1/1
K	2x 400x110	1/1
L	2x 341x110	1/1
M	150x427	1/1
N	370x395	1/1



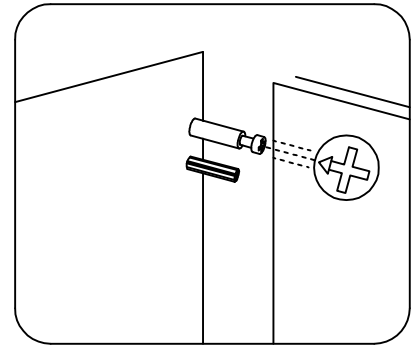
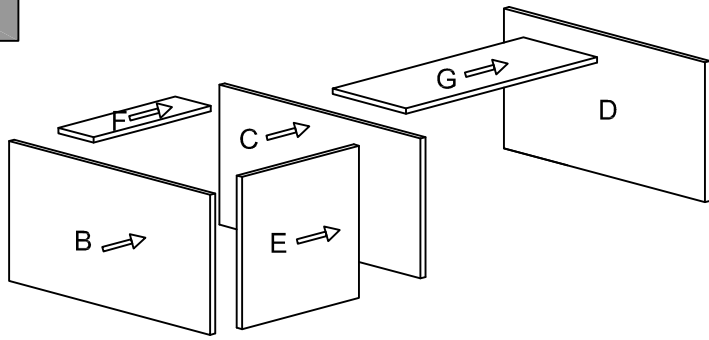
1



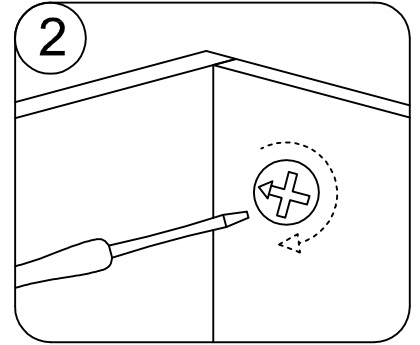
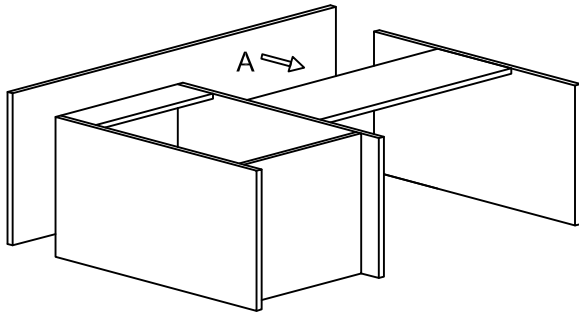
1.1



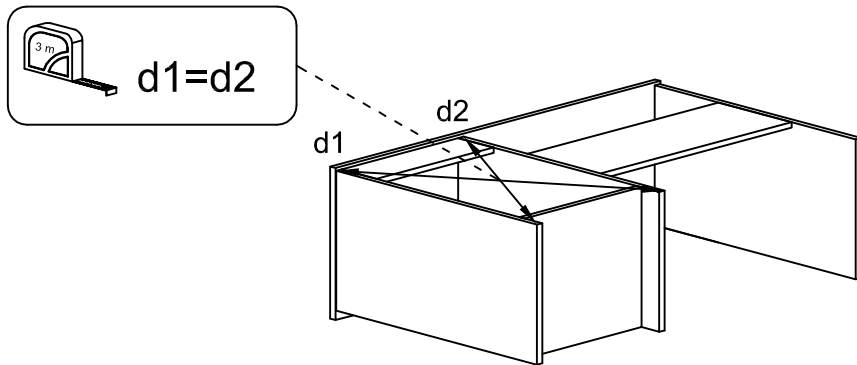
# 1.2



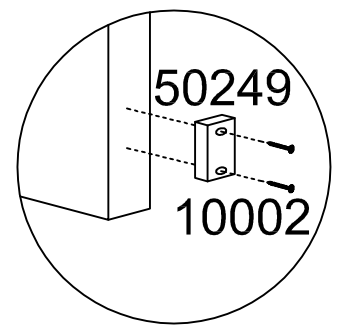
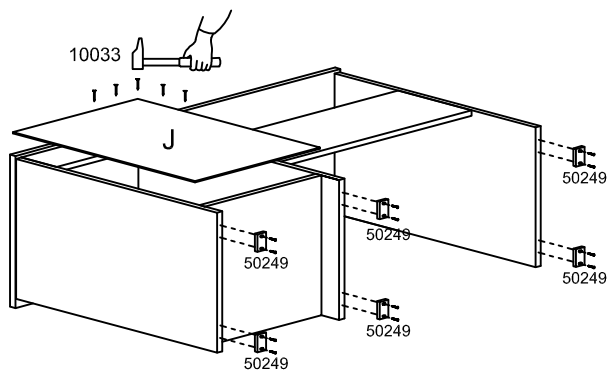
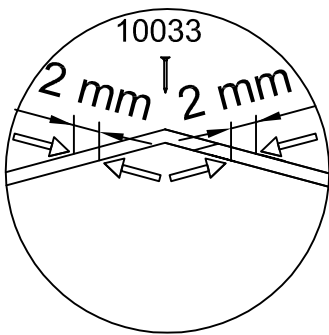
# 1.3



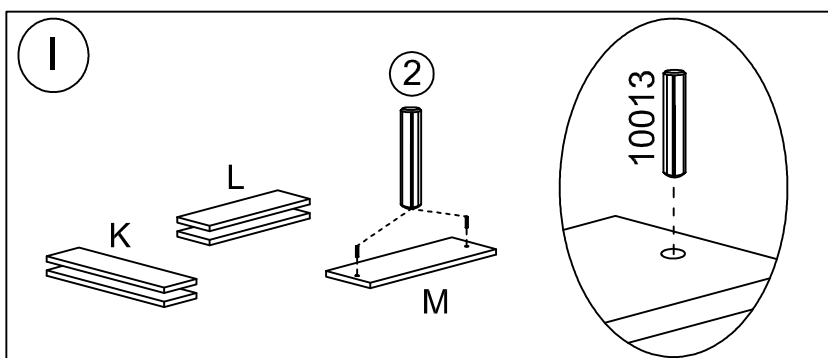
# 1.4

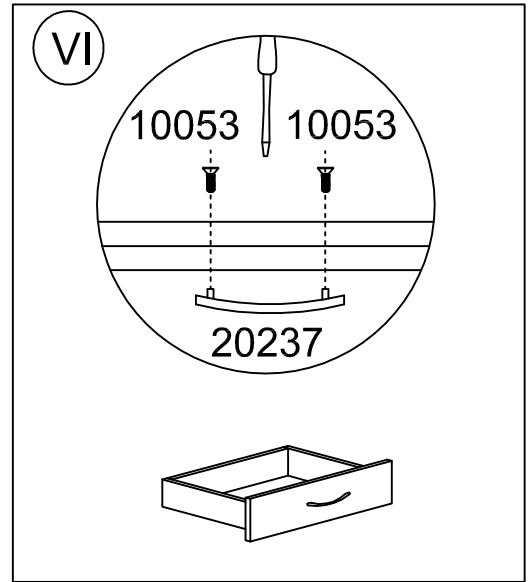
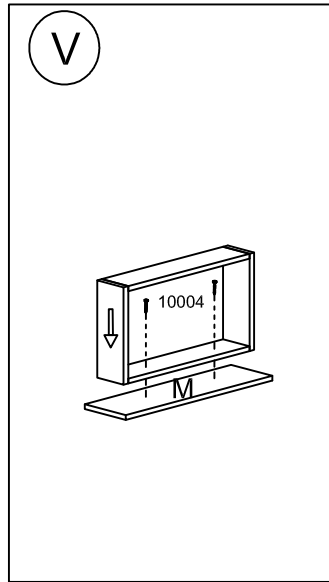
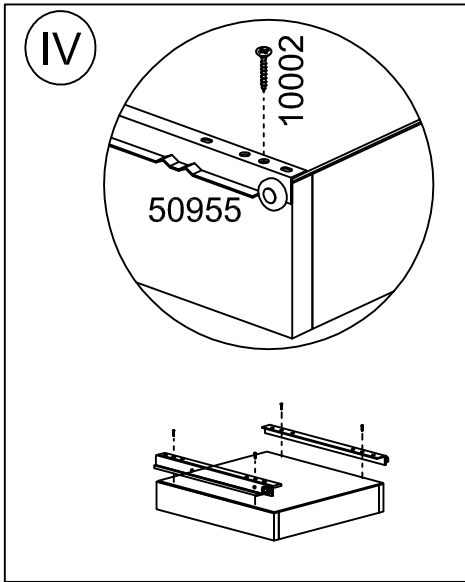
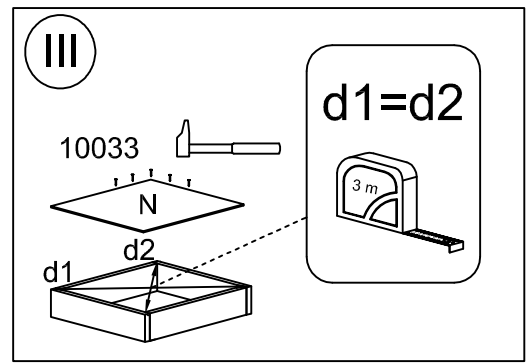
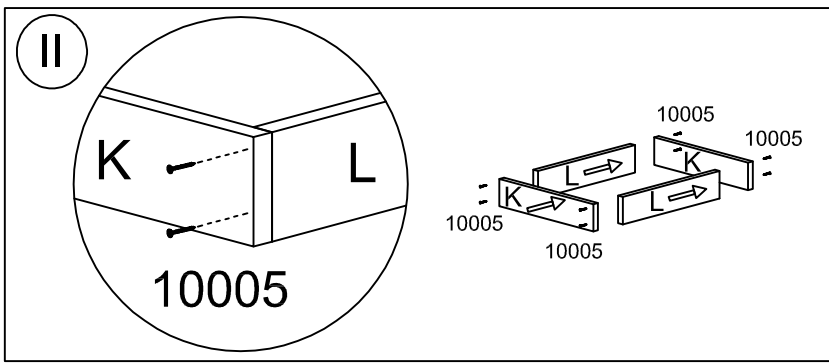


# 1.5

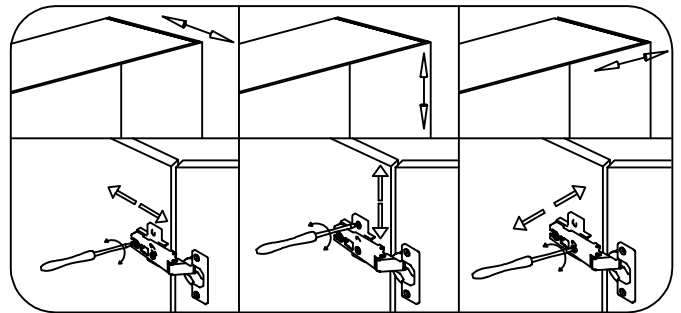
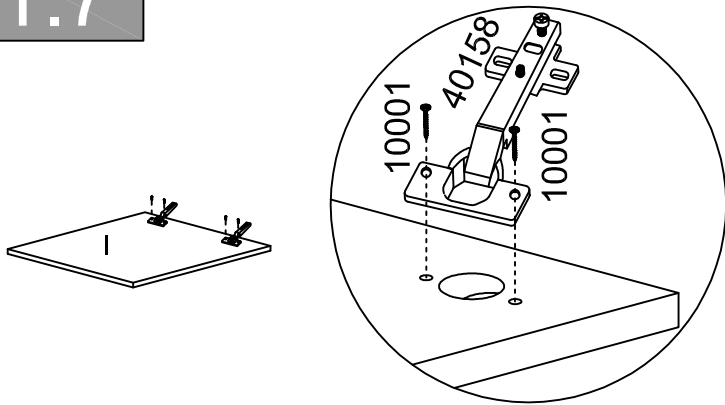


# 1.6





1.7



1.8

