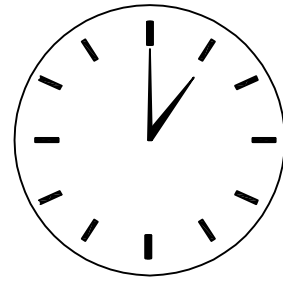
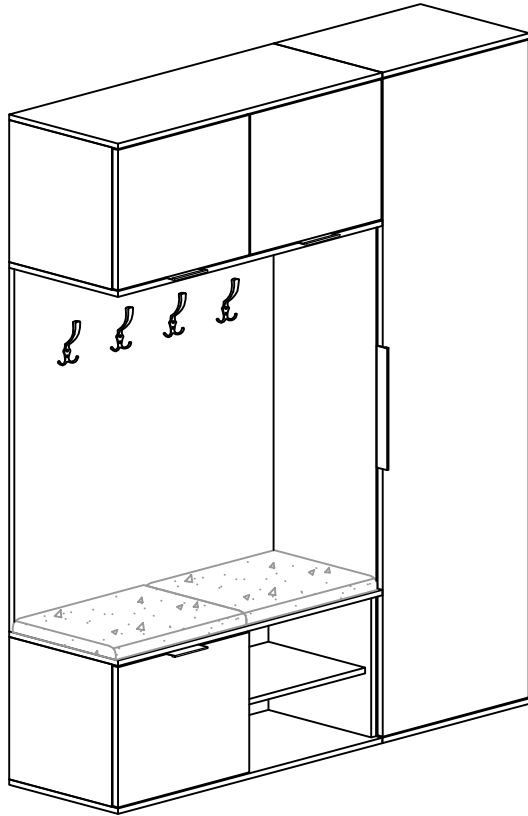
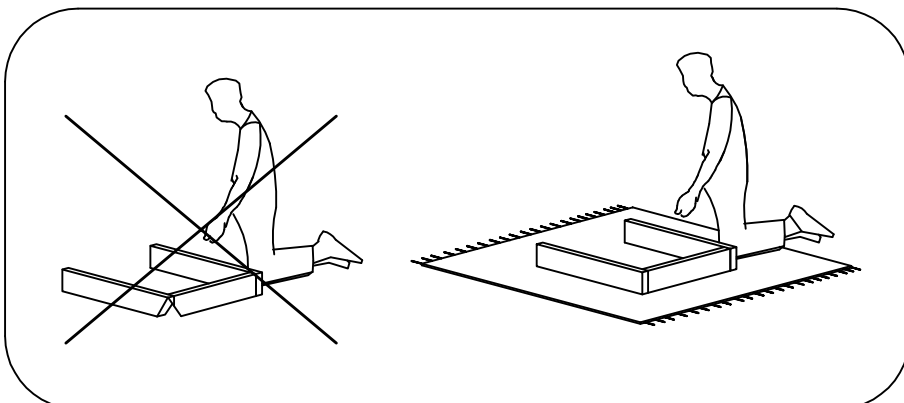
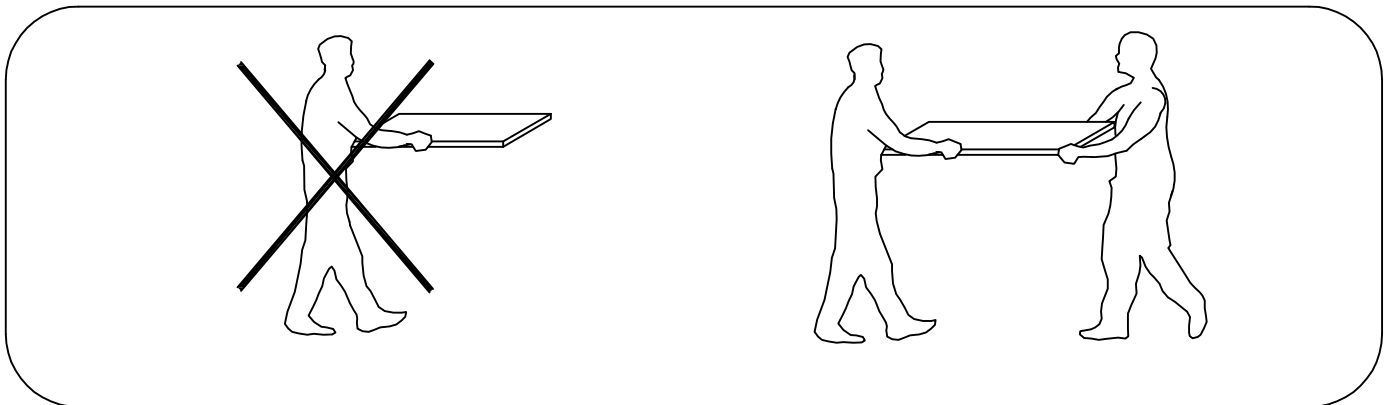
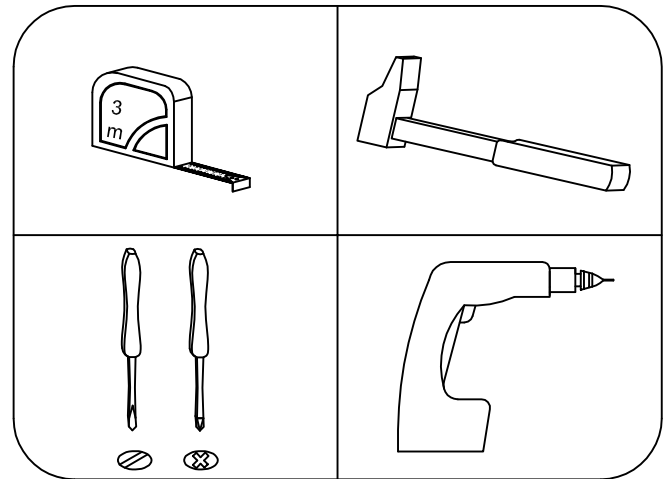
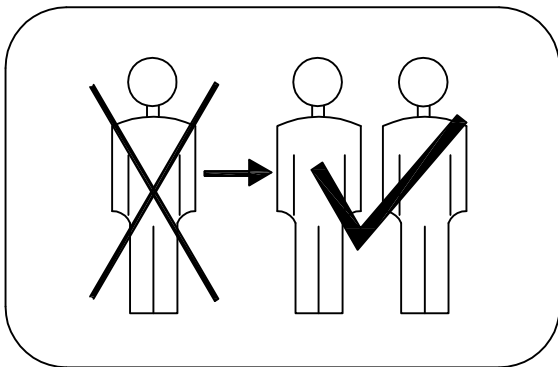


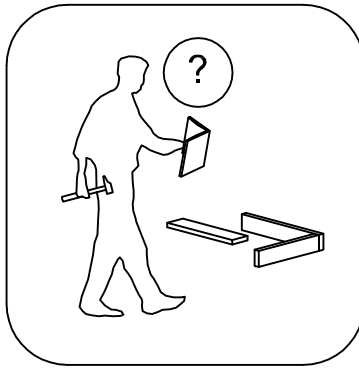
City 4058

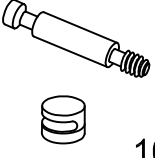

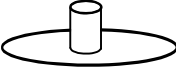
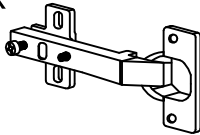




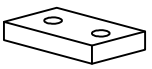
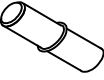
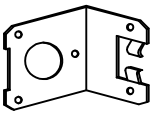
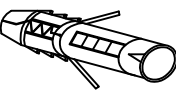
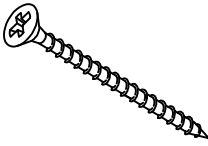
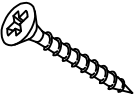

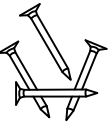
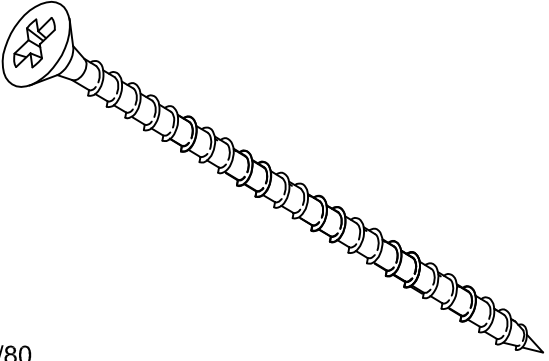


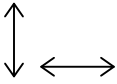
120 min.

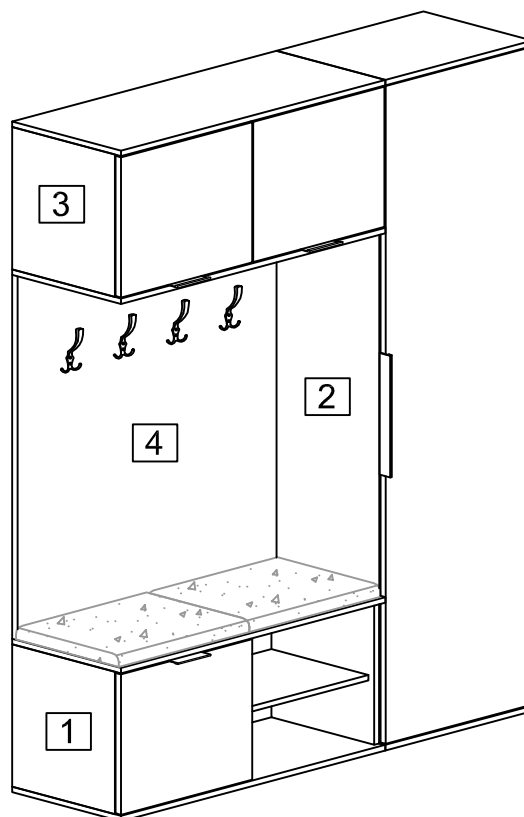


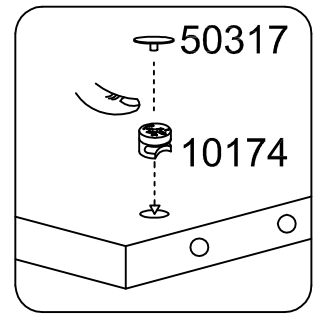
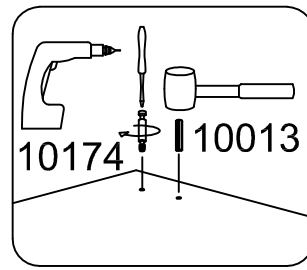
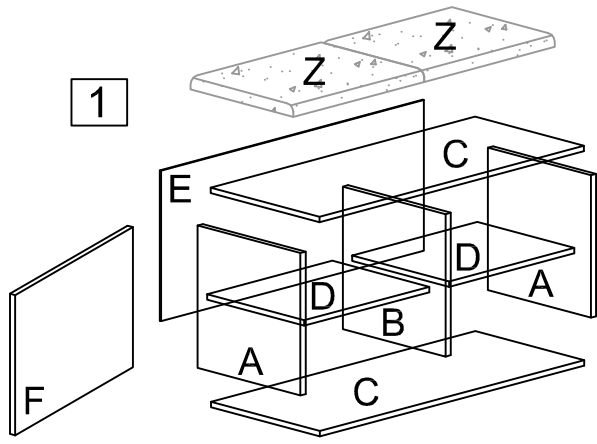
<http://www.irimbg.com/instructions/>



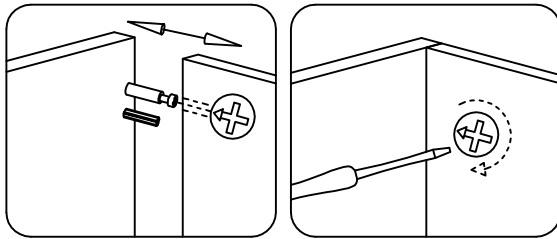
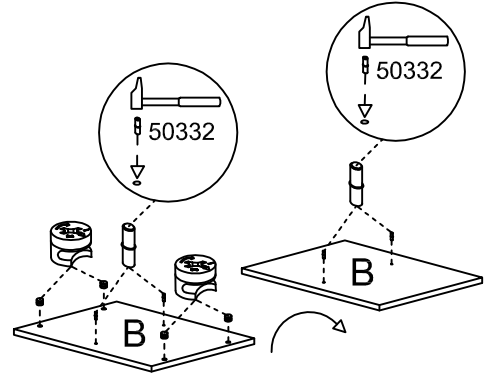
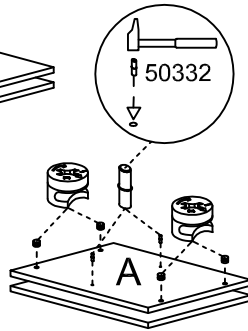
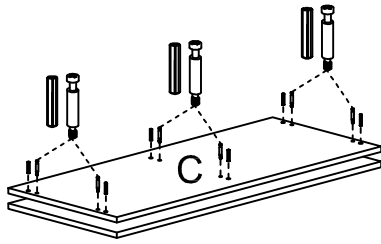
36x  10174	36x  Φ 8/30 10013	36x  50317	10x  40202
1x  50008	4x  30016	3x  20188	1x  20331
10x  50246	16x  50332	4x  51066	6x  10060
4x  Φ 3,5/30 10004	28x  Φ 3,5/20 10002	62x  Φ 3,5/16 10001	 10033
6x  Φ 6/80 10021			

		Box number
A	4x 468x350	2/6
B	468x350	2/6
C	2x 900x370	1/6
D	2x 426x330	5/6
E	2x 495x895	5/6
F	3x 461x447	5/6
G	2x 2168x350	3/6
H	2x 500x370	4/6
I	2x 468x350	4/6
J	2x 1097x495	5/6
K	2162x497	4/6
L	2x 900x370	1/6
M	868x330	1/6
N	1200x900	5/6
Z		6/6

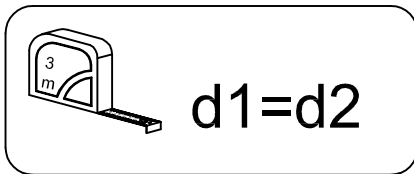
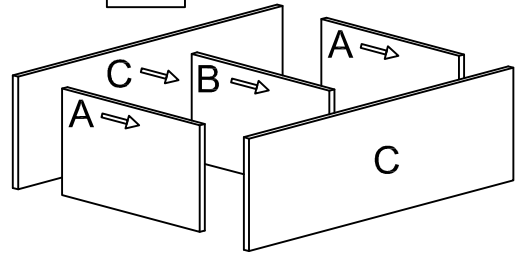




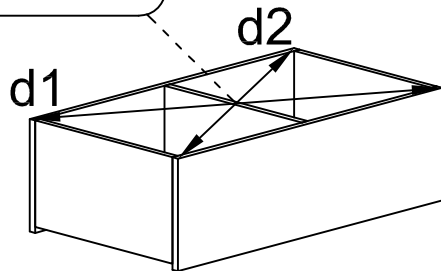
1.1



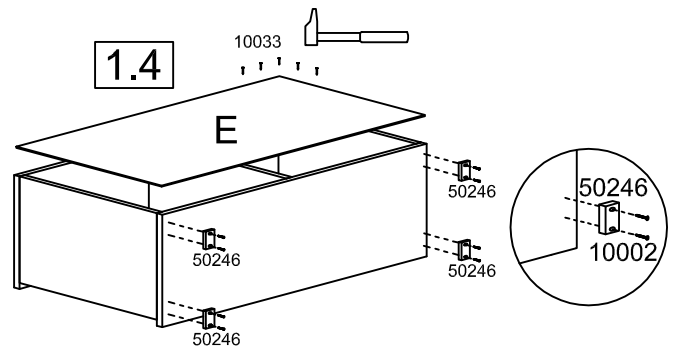
1.2



1.3



1.4



1.5

