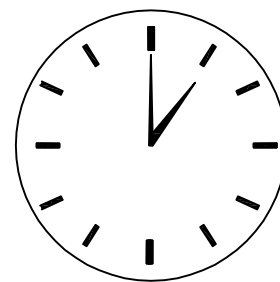
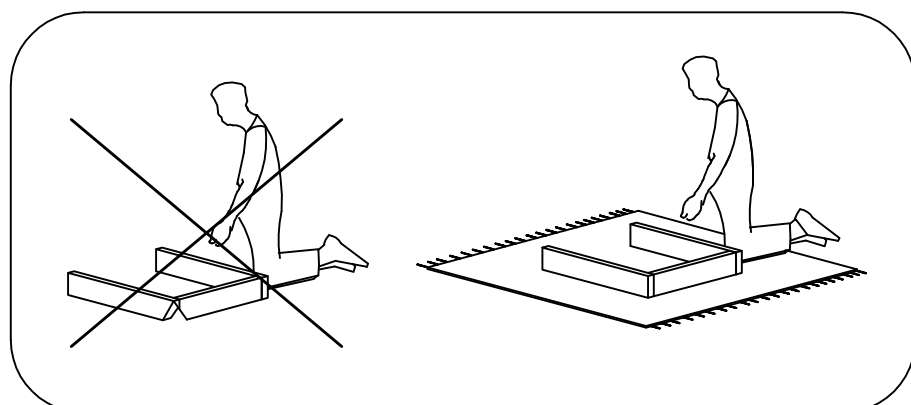
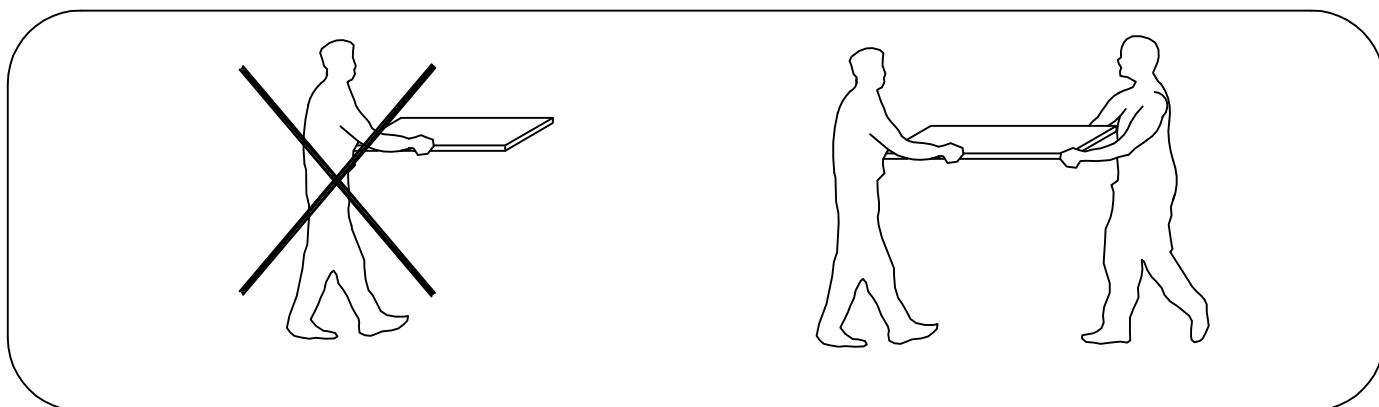
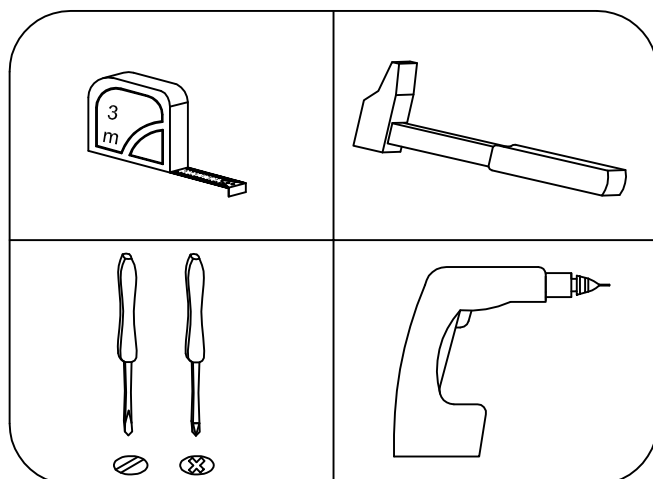
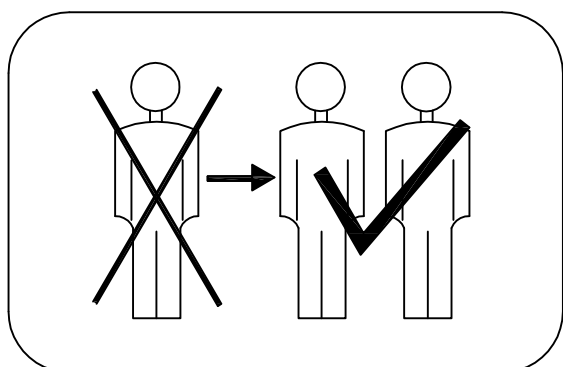
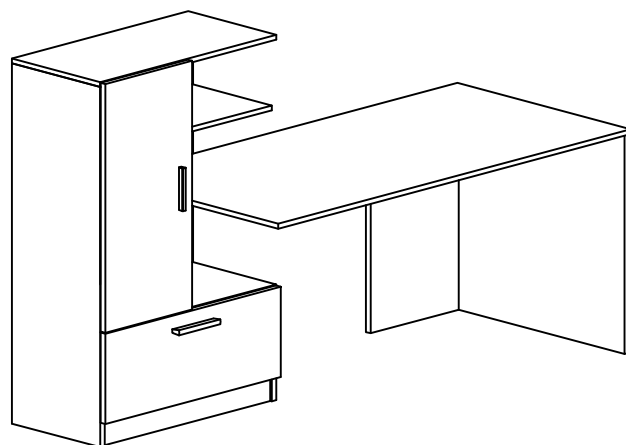


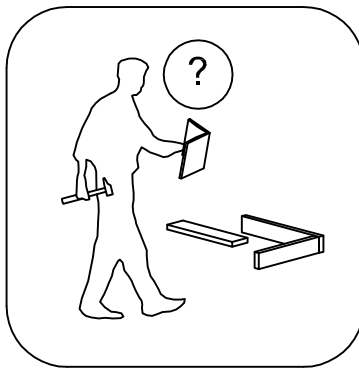
City 3059



2 h



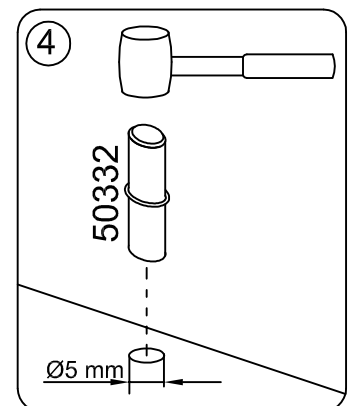
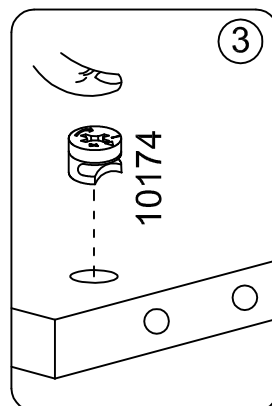
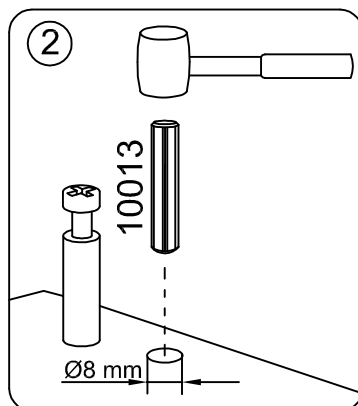
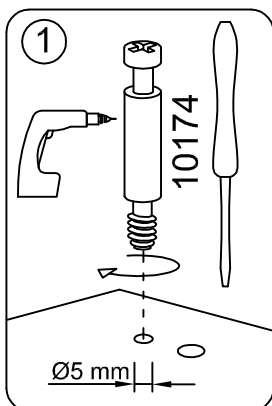
<http://www.irimbg.com/instructions/>



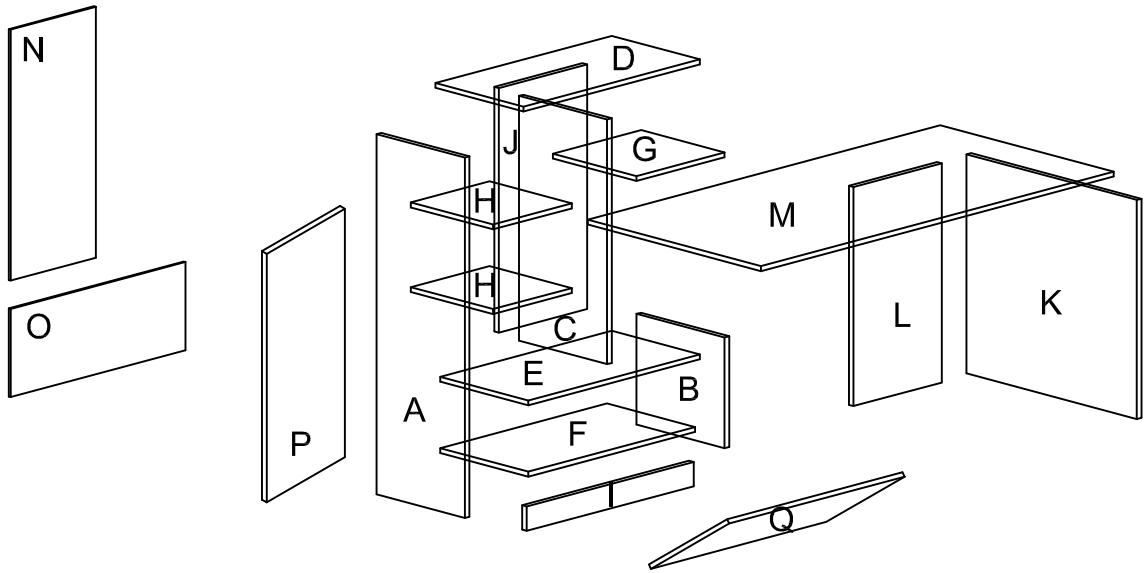
33x 10174 Φ 8/30	35x 10013	33x 50317	2x 40158
2x 51066	2x 10060	8x 50332	2x 40161
2x Φ 6/80 10021	8x 50738	1x 40011	
26x Φ 3,5/16 10001	4x Φ 4/30 10256	 10033	2x 20275

	↕ ↔	Box number
A	1184x300	1/3
B	364x300	1/3
C	804x300	1/3
D	600x300	3/3
E	584x300	3/3
F	568x300	3/3
G	300x284	1/3
H	2x 268x280	2/3

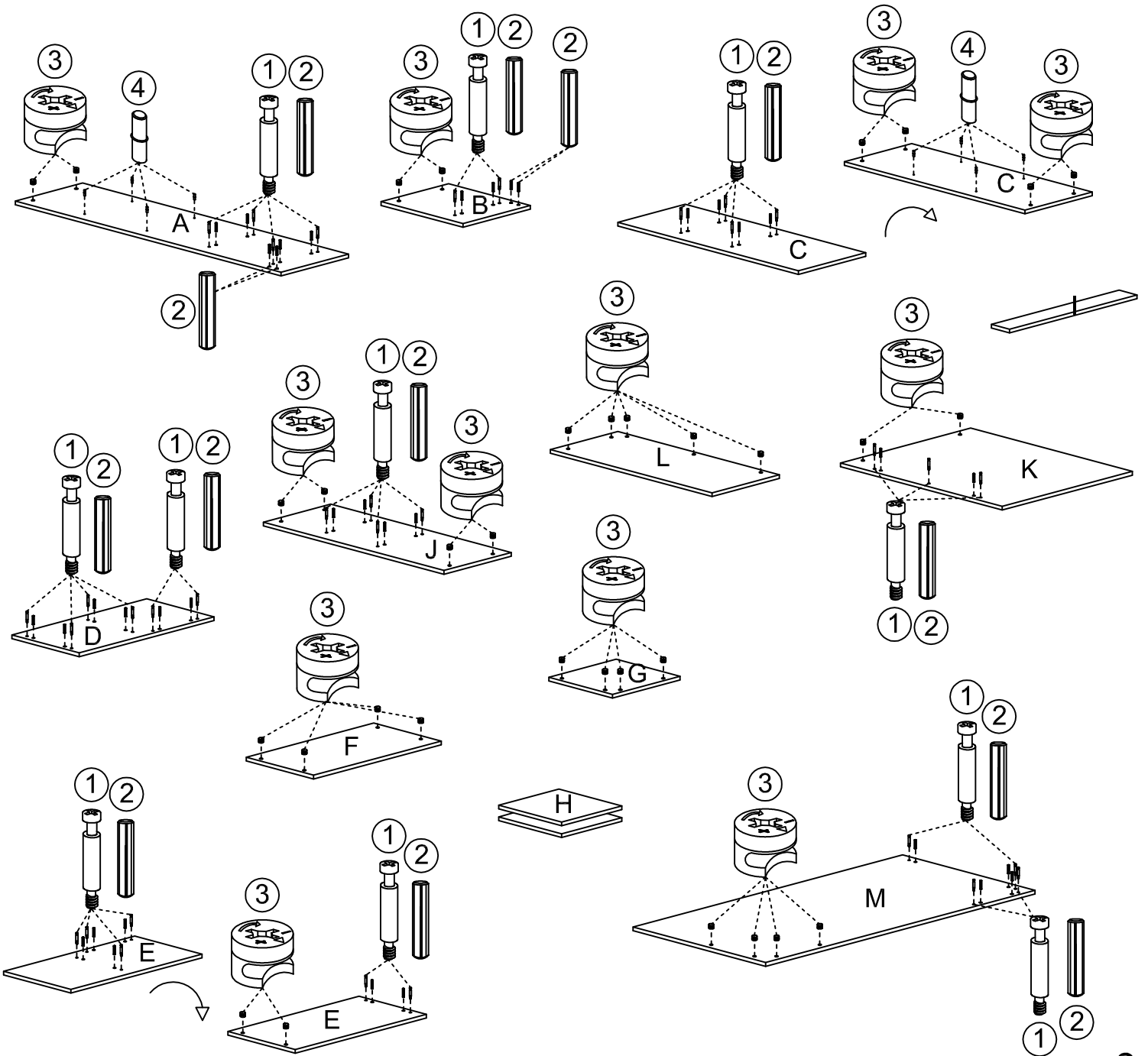
	↕ ↔	Box number
I	568x80	2/3
J	804x300	1/3
K	720x580	2/3
L	720x300	3/3
M	1200x590	2/3
N	825x295	2/3
O	290x595	2/3
P	817x297	3/3
Q	597x297	3/3



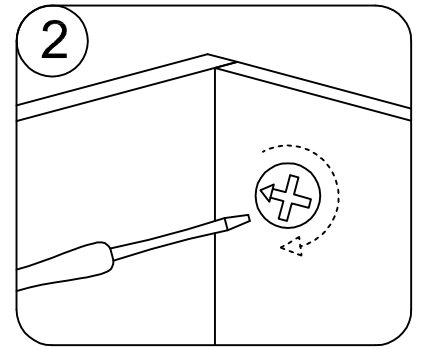
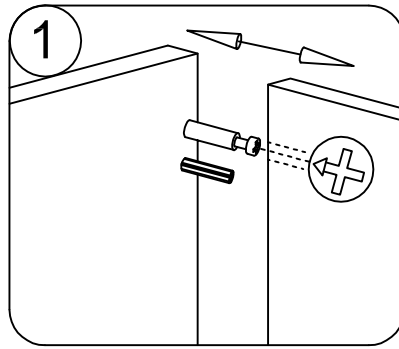
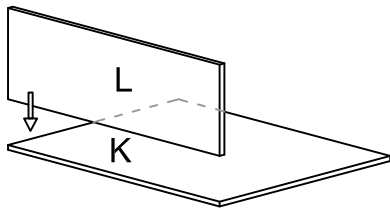
1



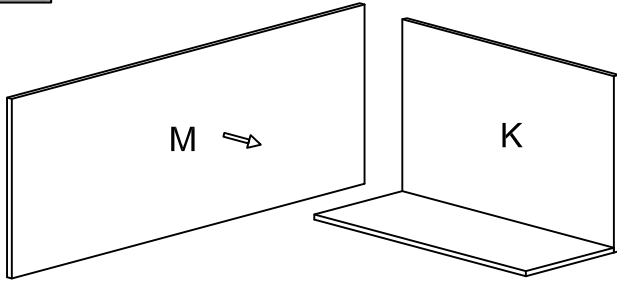
1.1



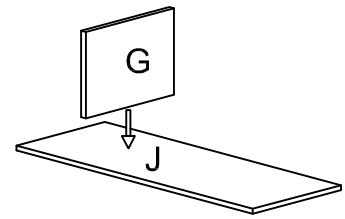
1.2



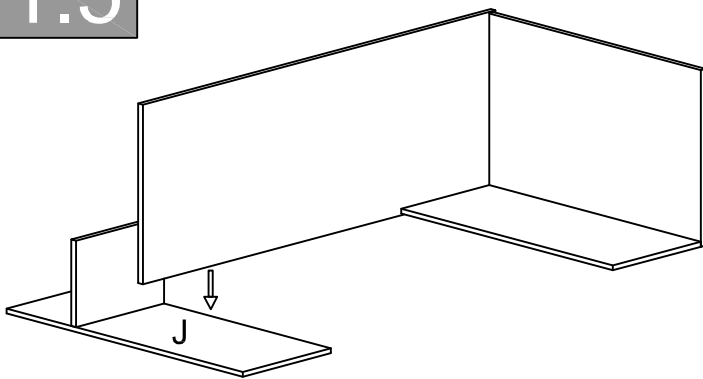
1.3



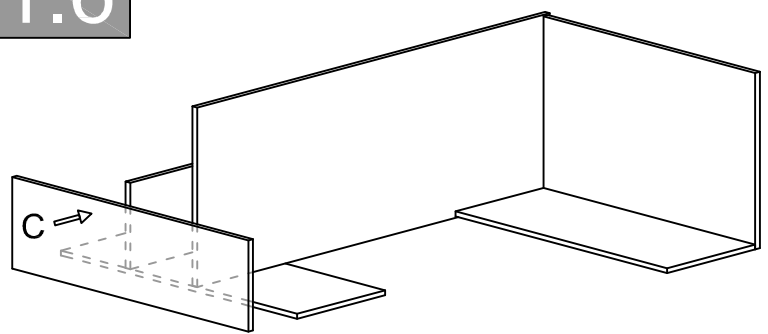
1.4



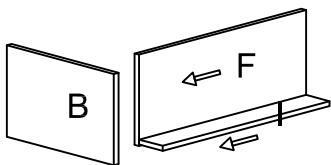
1.5



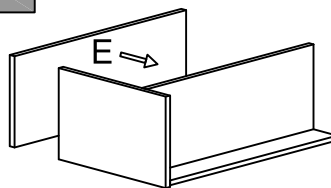
1.6



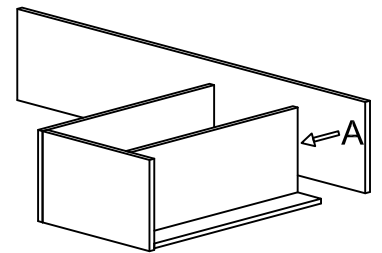
1.7



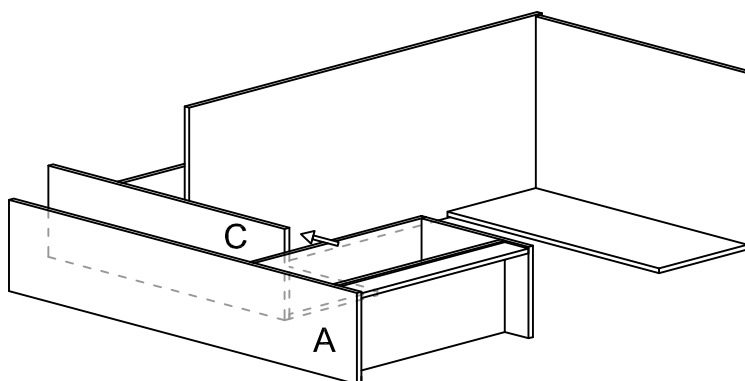
1.8



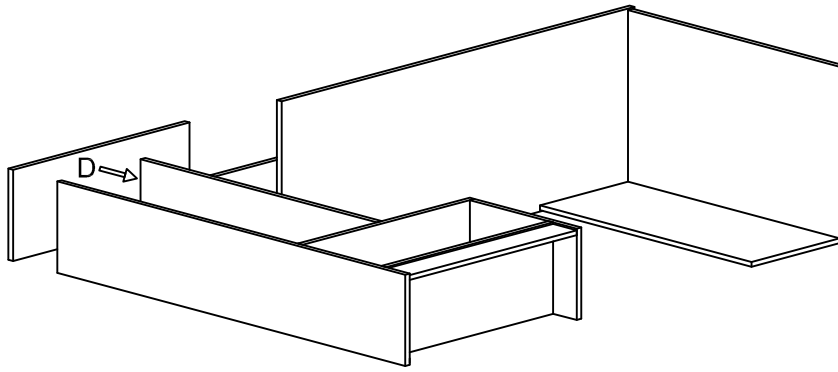
1.9



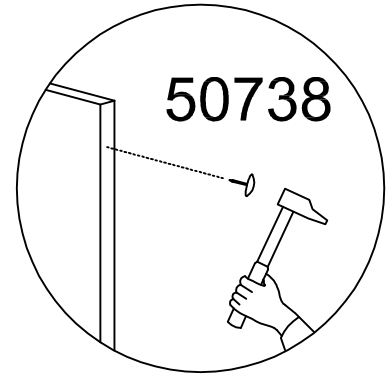
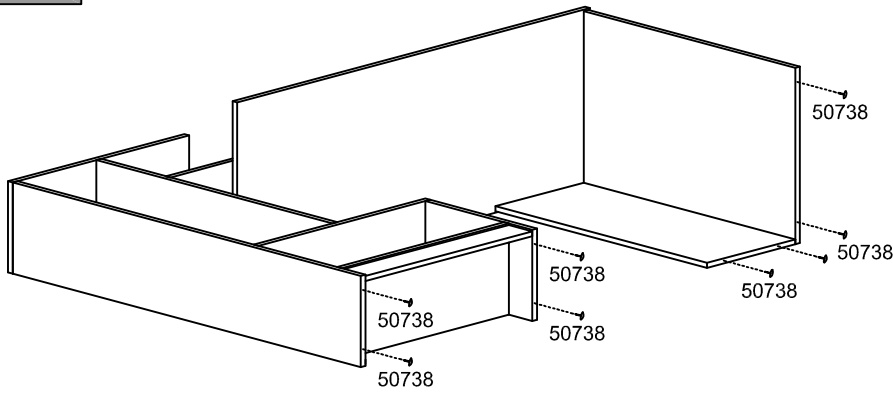
1.10



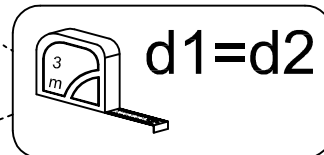
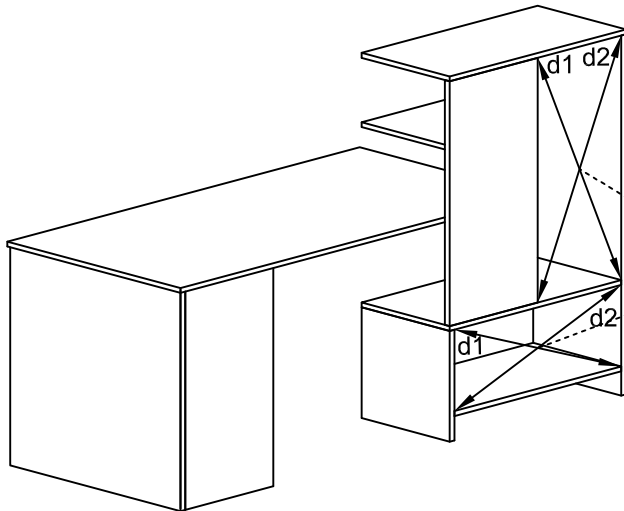
1.11



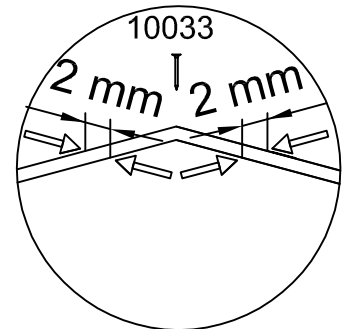
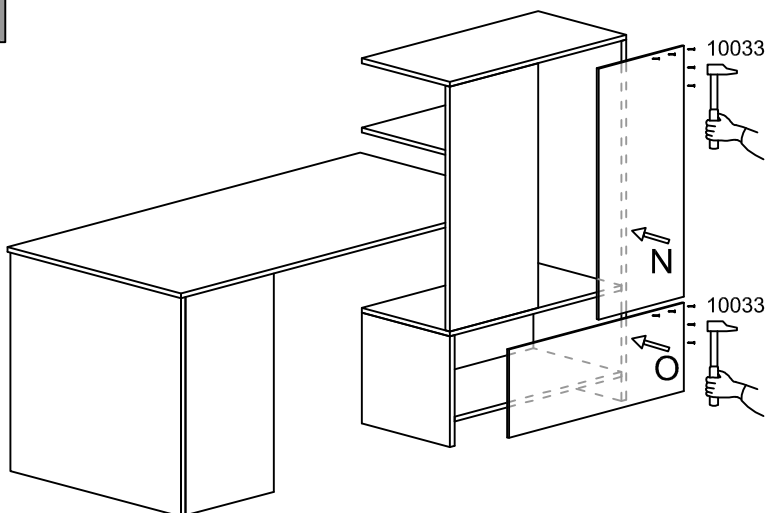
1.12



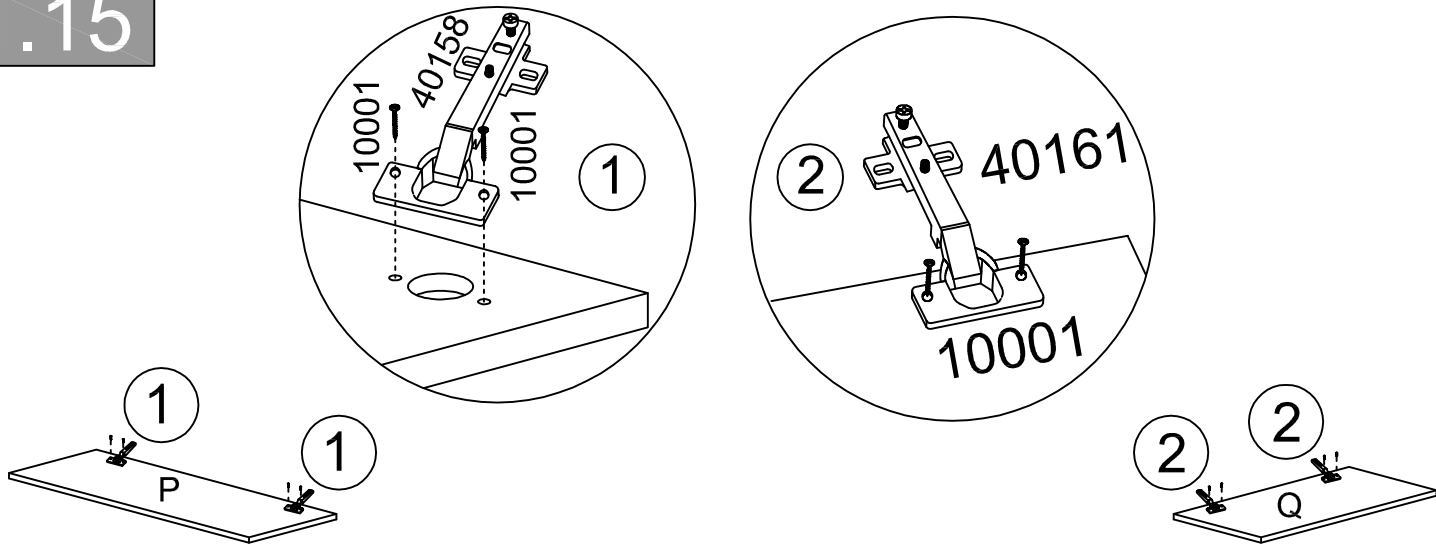
1.13



1.14



1.15



1.16

