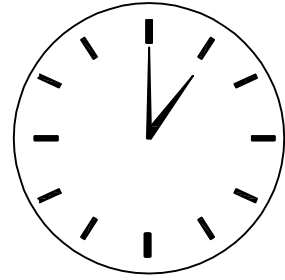
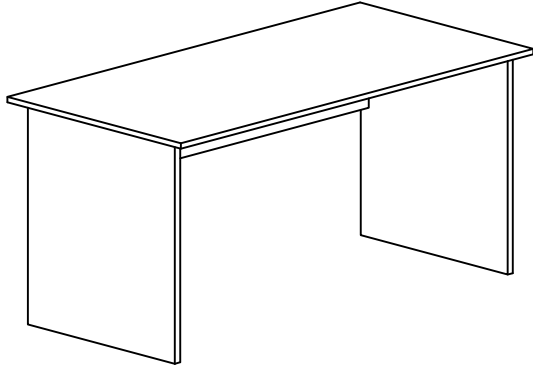
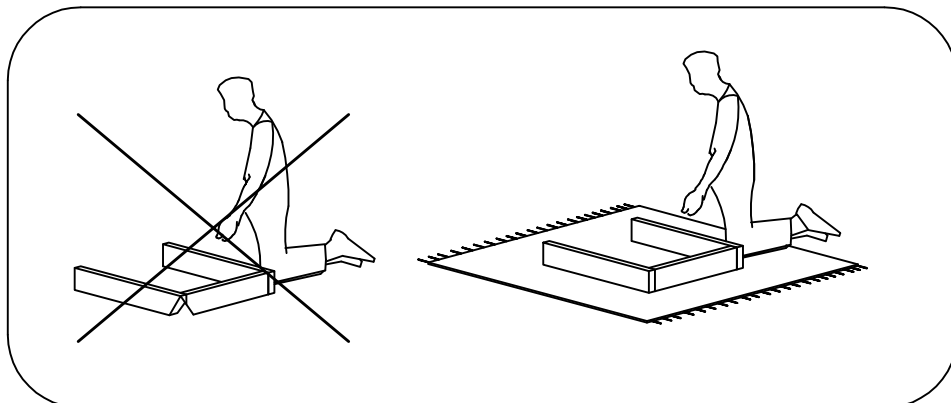
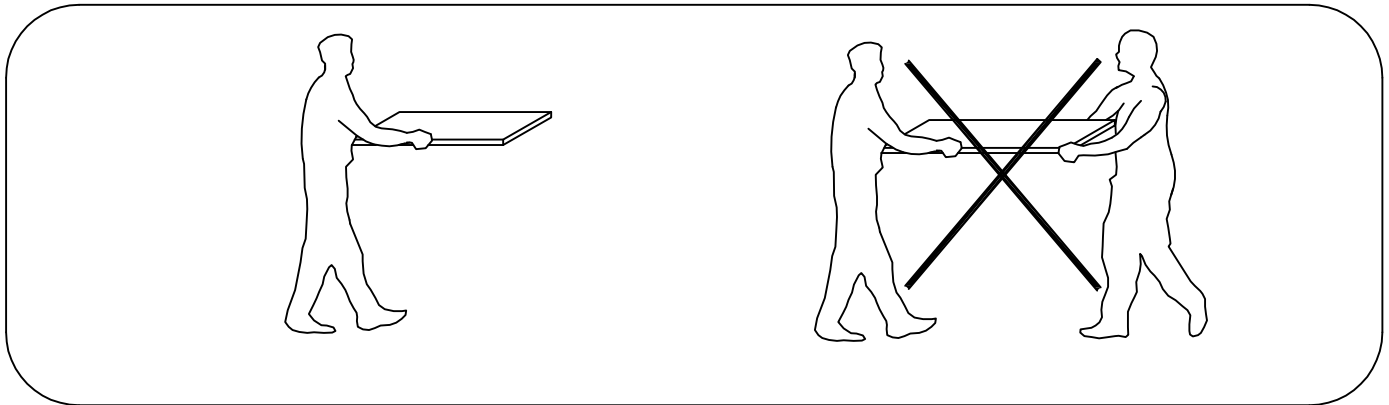
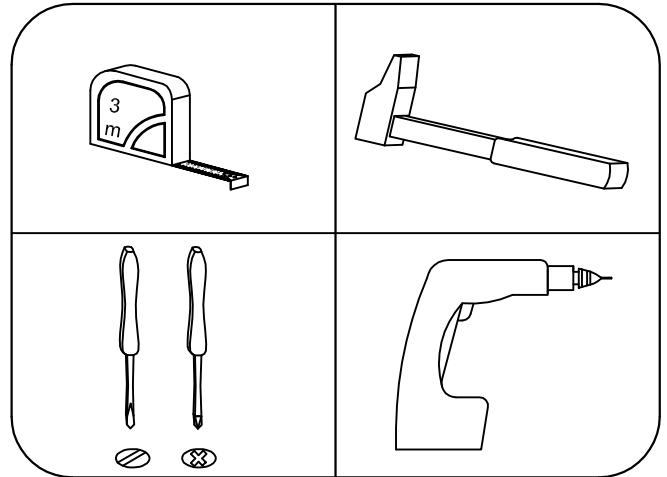
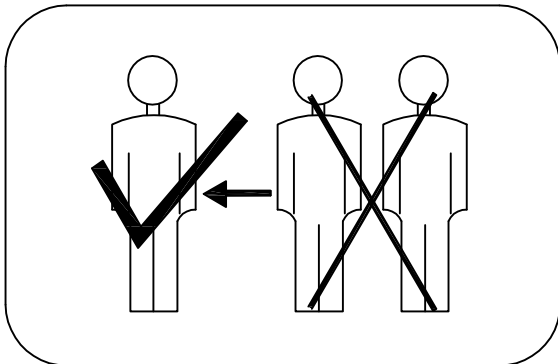


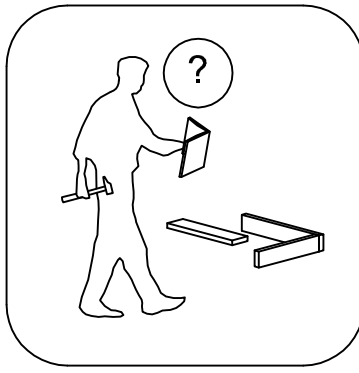
# Especial 1060

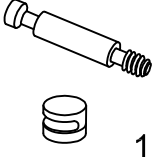
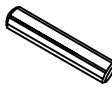
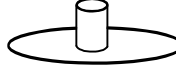



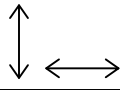
60 min.

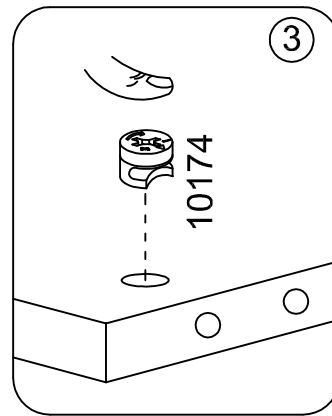
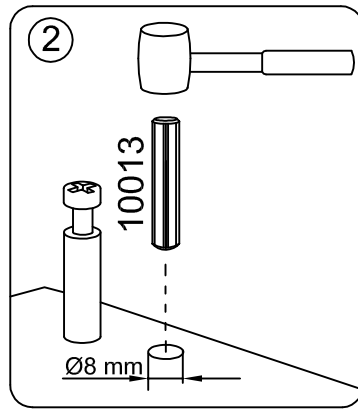
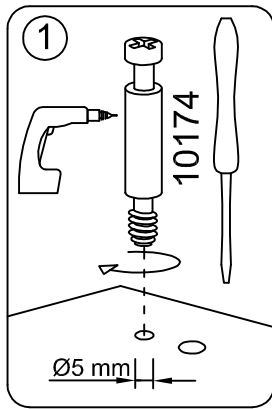


<http://www.irimbg.com/instructions/>

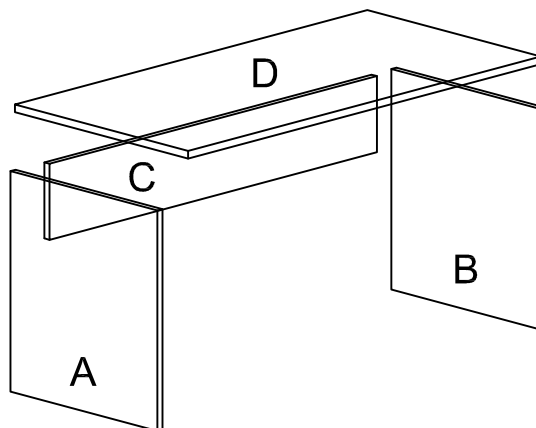


10x  10174	10x  10013	10x  50317	4x  50738
---	---	--	--

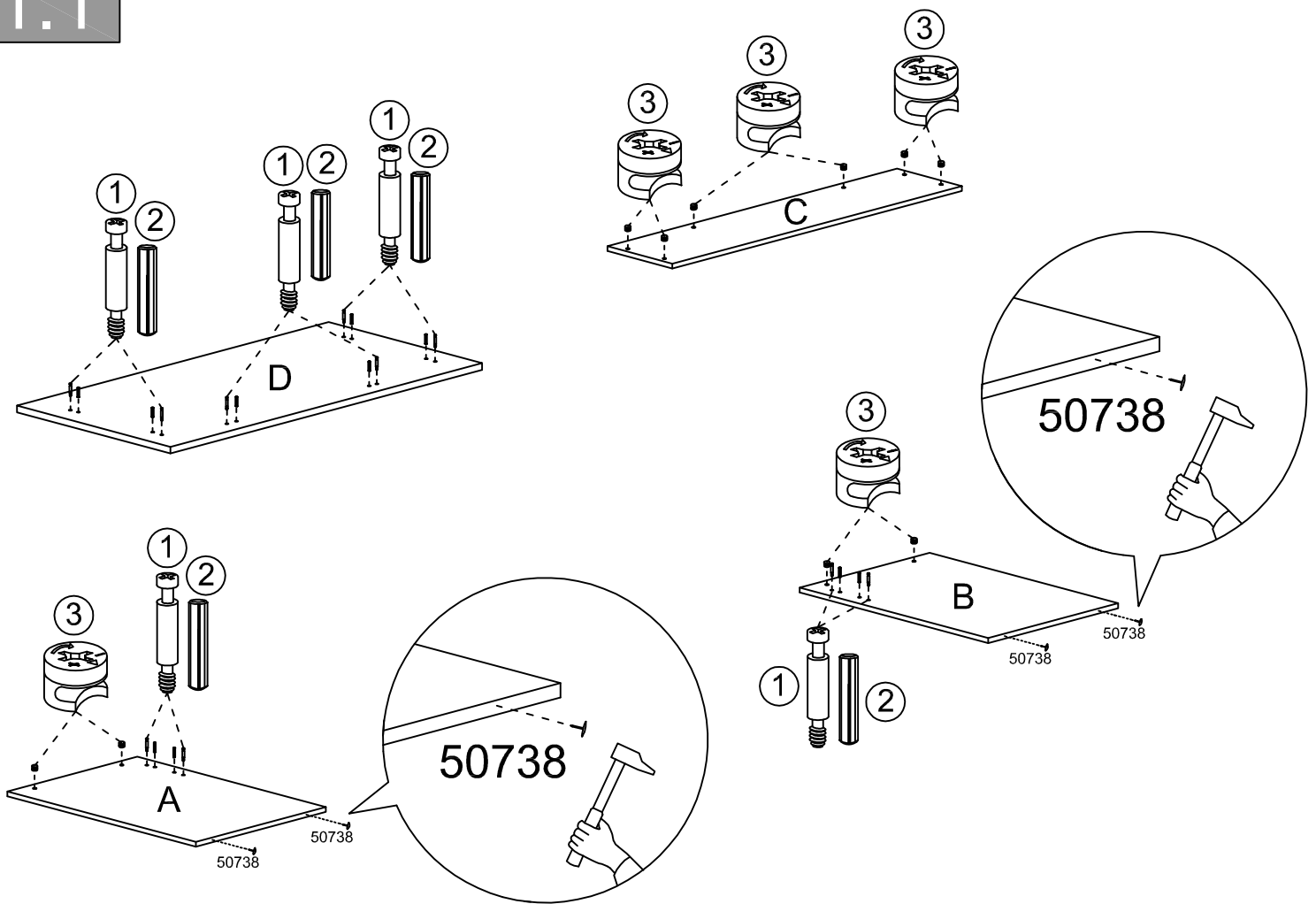
		Box number
A	725x500	2/2
B	725x500	2/2
C	250x988	1/2
D	1060x580	1/2



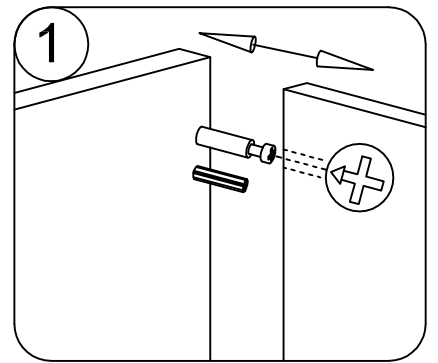
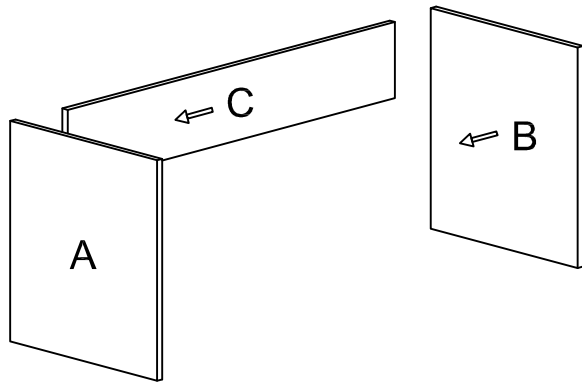
1



# 1.1



# 1.2



# 1.3

