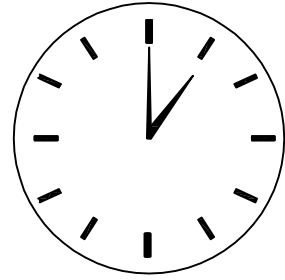
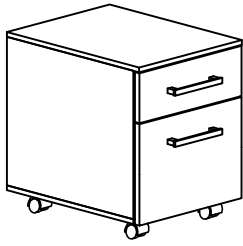
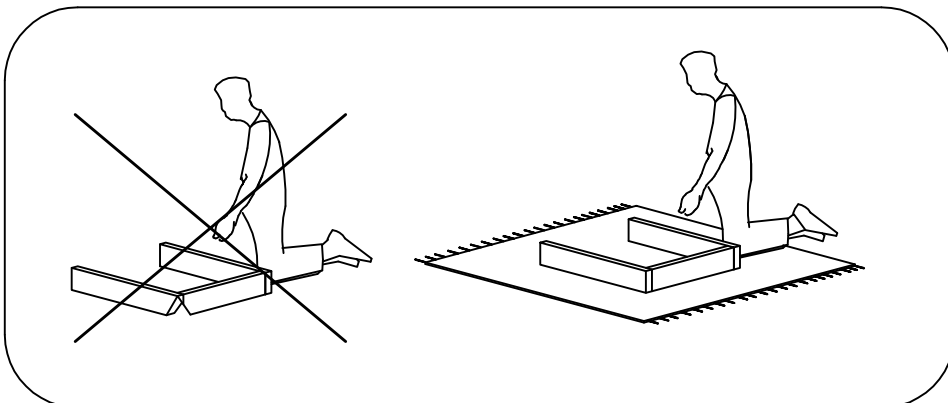
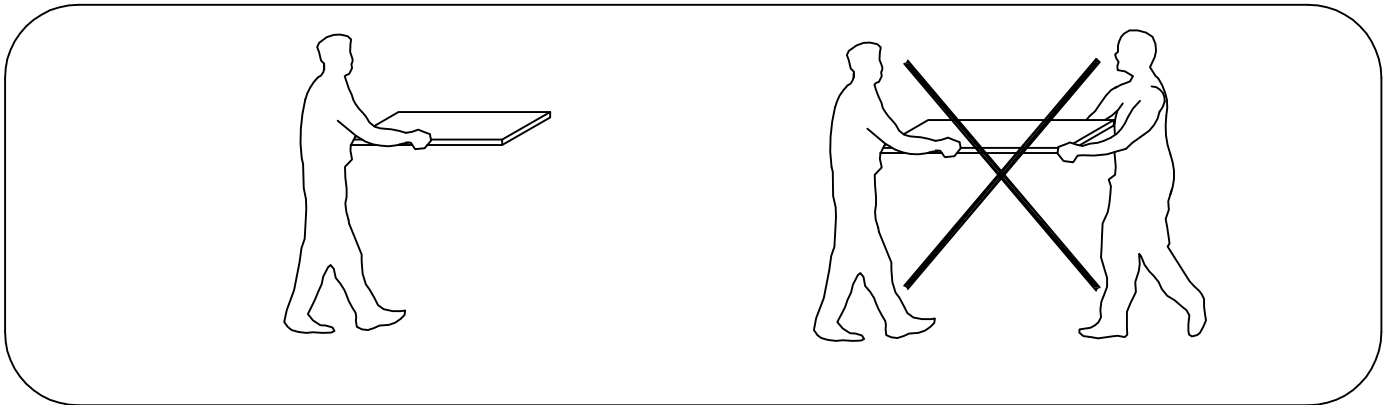
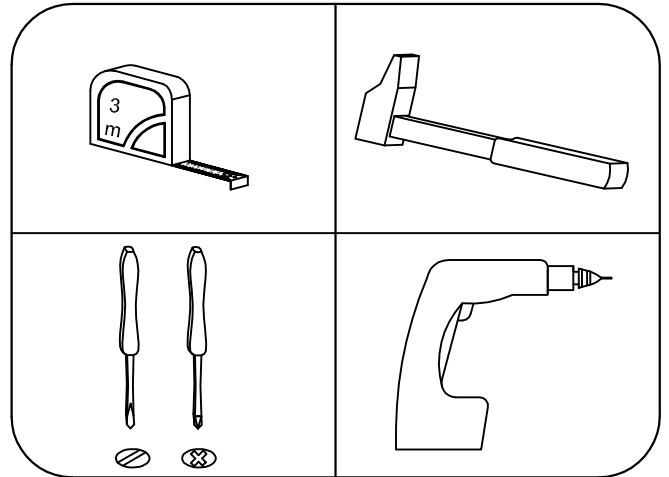
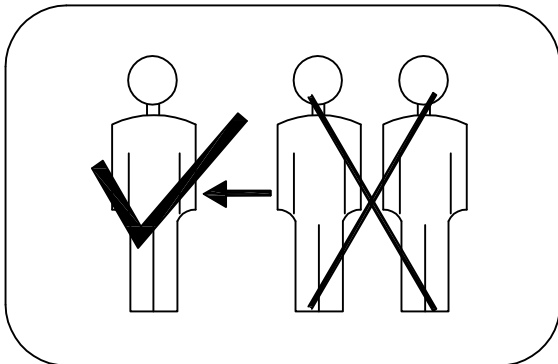


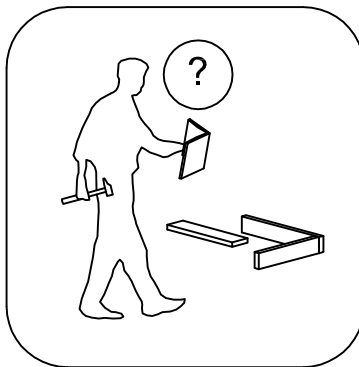
M 49

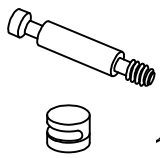
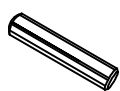

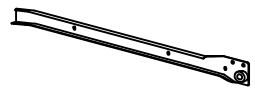
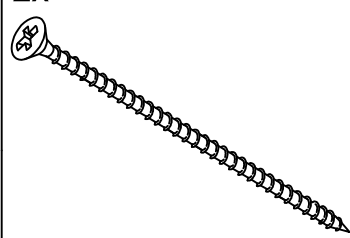
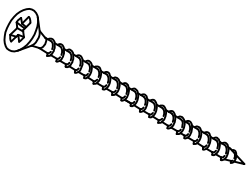
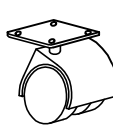
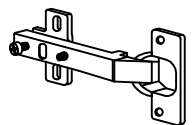
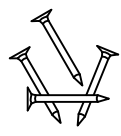
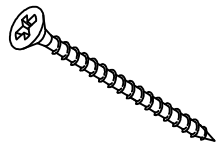
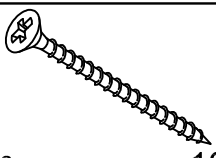

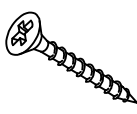



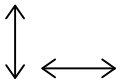
60 min.

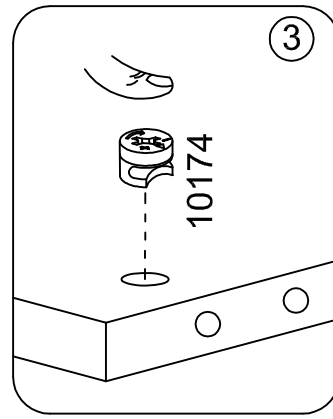
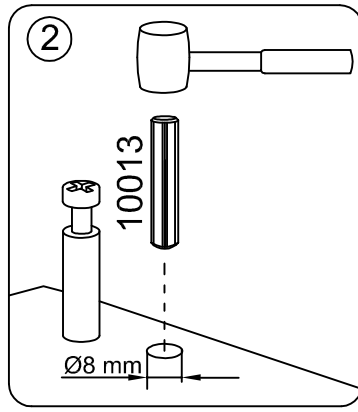
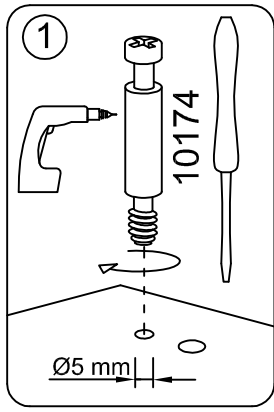


<http://www.irimbg.com/instructions/>

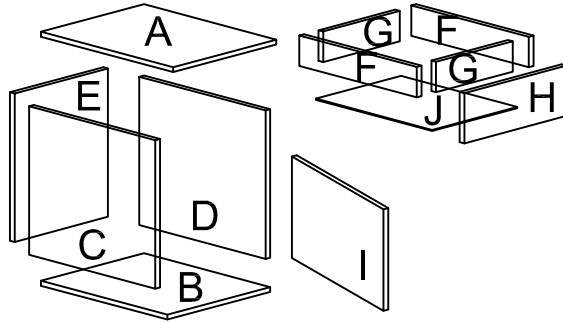


12x  10174	14x  Φ 8/30 10013	12x  50317	1x  L 400 mm 50033
2x  Φ 4/50 10009	8x  Φ 3,5/35 10005	4x  50017	2x  40158
 10033	2x  Φ 3,5/30 10004	2x  Φ 4/30 10006	2x  20235
	4x  Φ 3,5/20 10002	28x  Φ 3,5/16 10001	

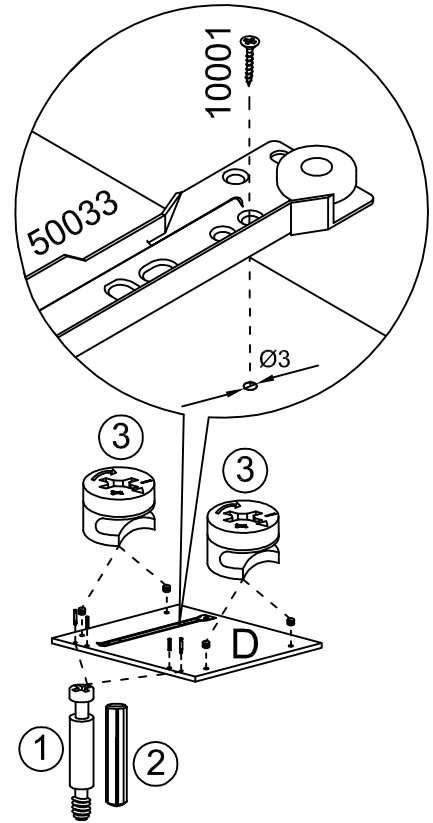
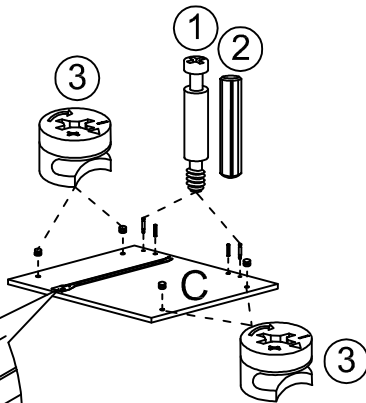
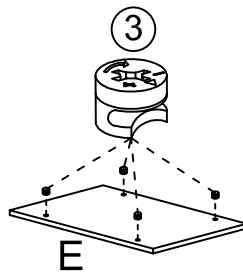
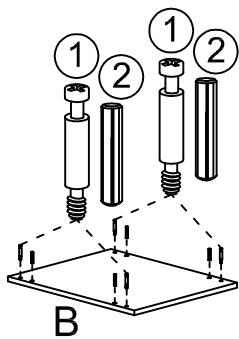
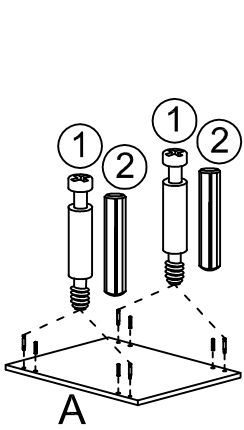
		Box number
A	350x450	1/1
B	350x430	1/1
C	488x430	1/1
D	488x430	1/1
E	488x318	1/1
F	2x 400x100	1/1
G	2x 261x100	1/1
H	165x347	1/1
I	333x347	1/1
J	290x395	1/1



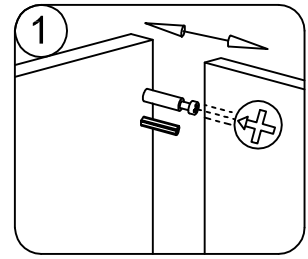
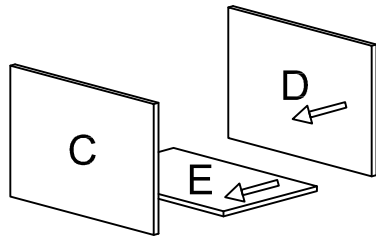
1



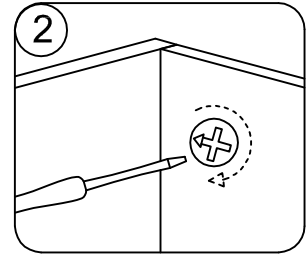
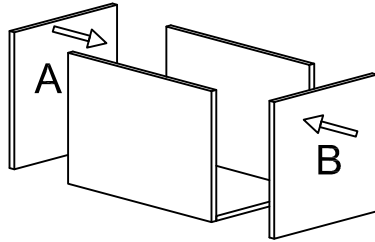
1.1



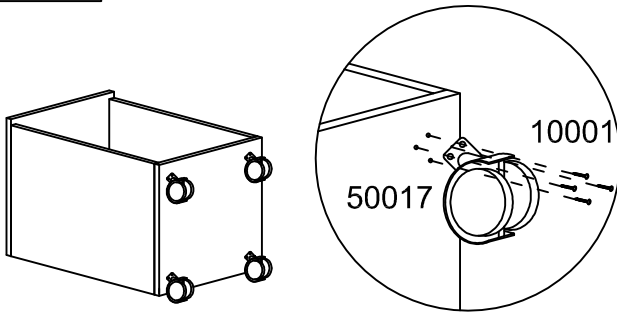
1.2



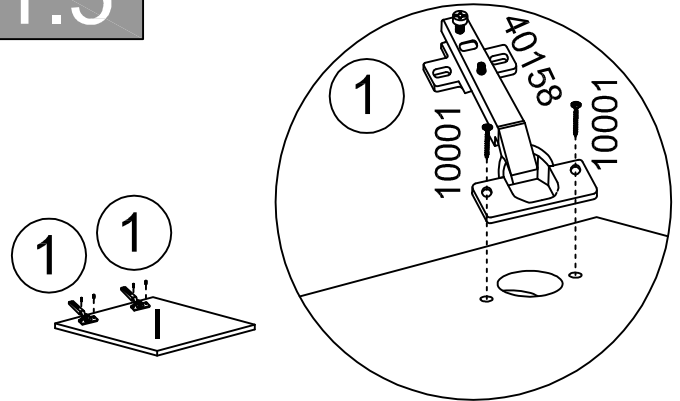
1.3



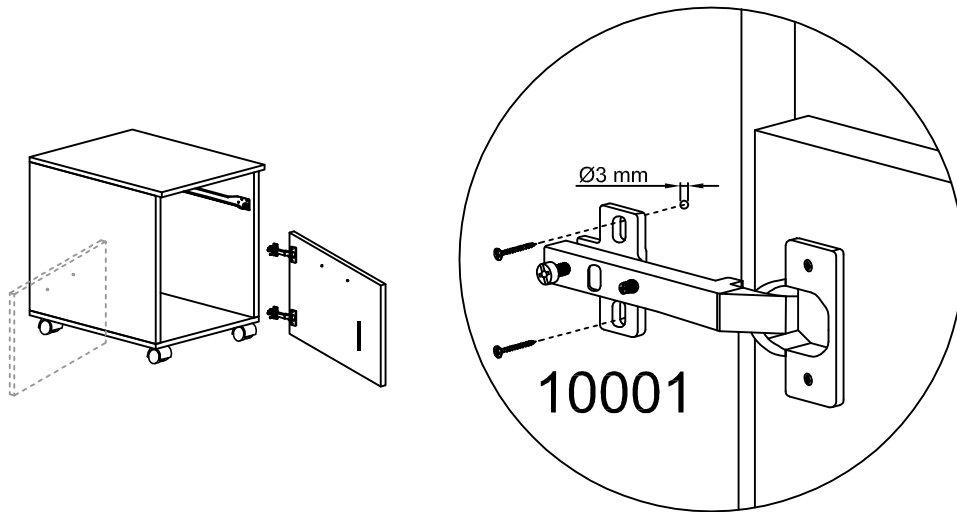
1.4



1.5



1.6



1.7

