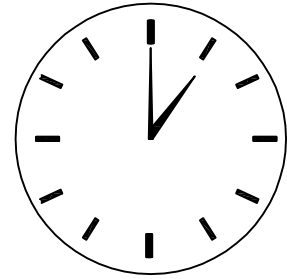
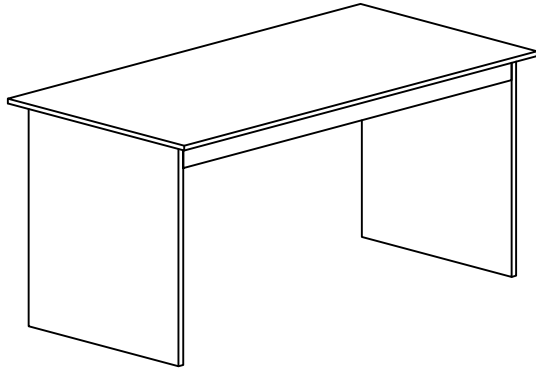
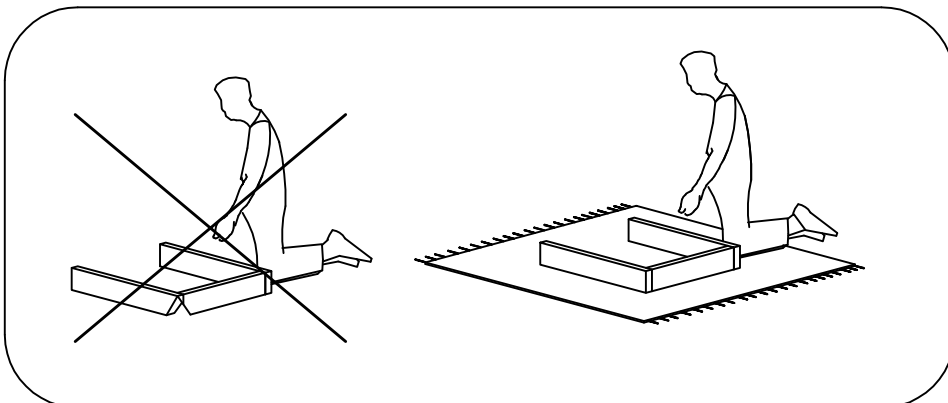
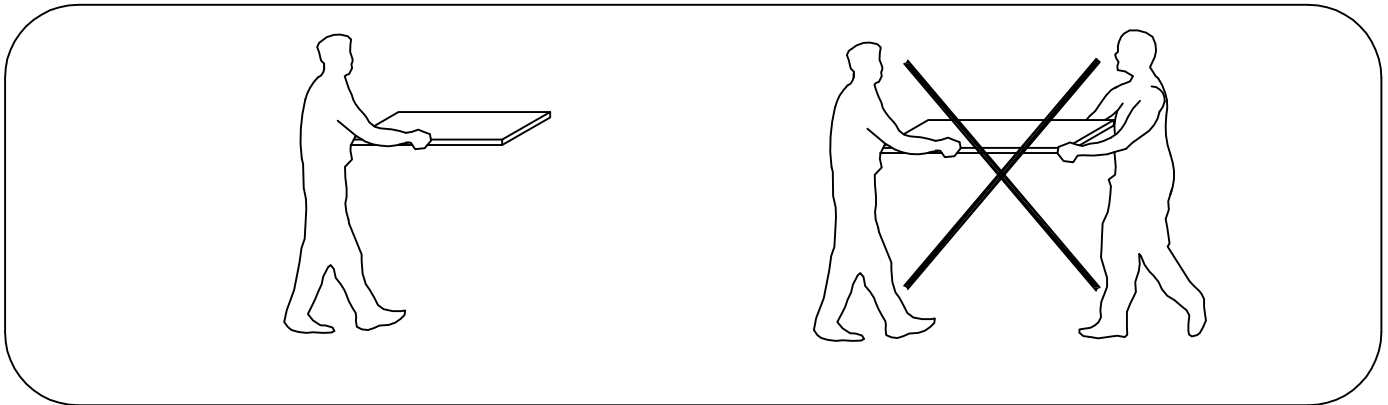
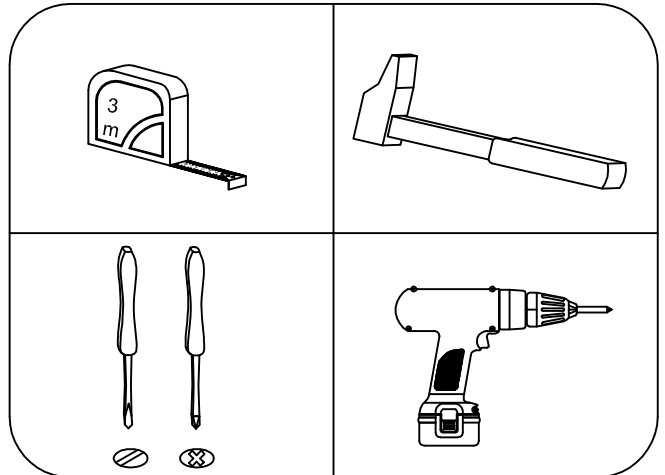
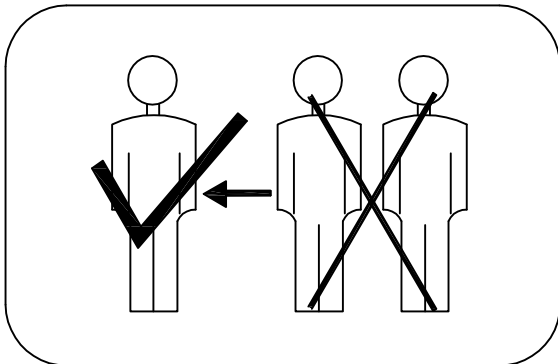


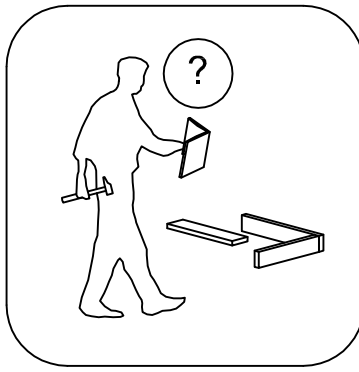
M 43

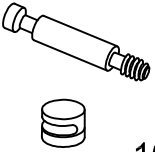
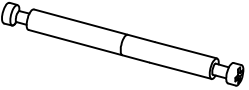

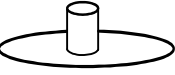




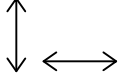
30 min.

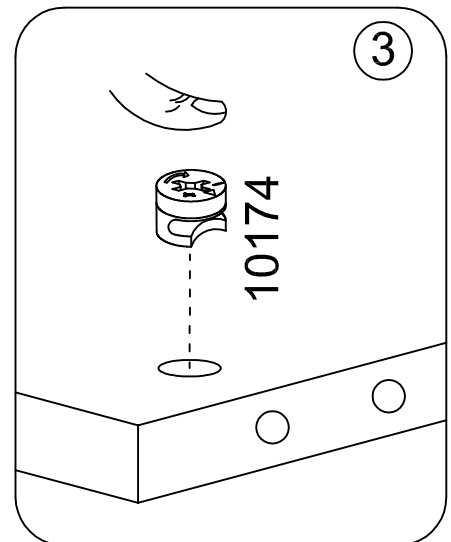
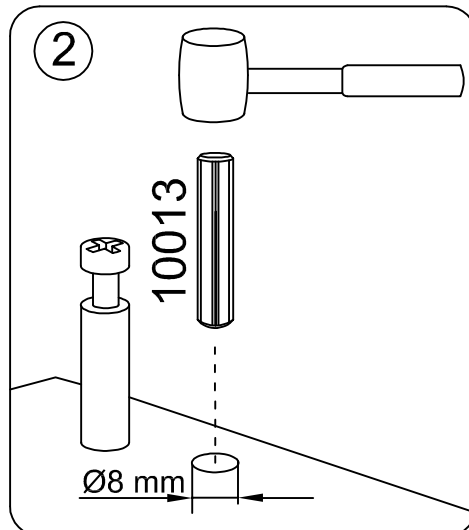
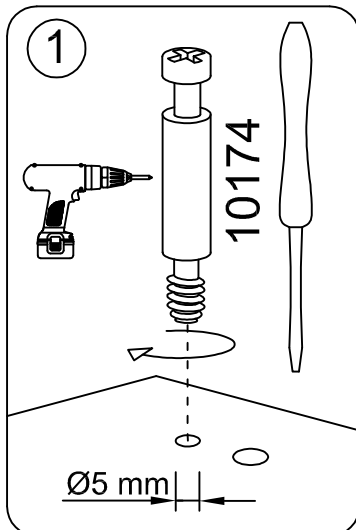


<http://www.irimbg.com/instructions/>

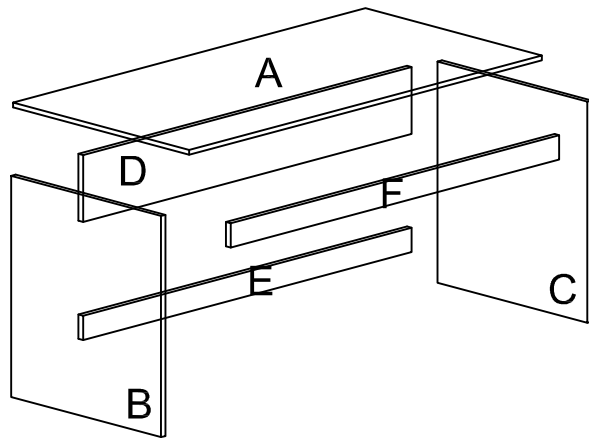


14x  10174	2x  10258	22x  Φ 8/30 10013	18x  50317
4x  50246	8x  Φ 3,5/20 10002		

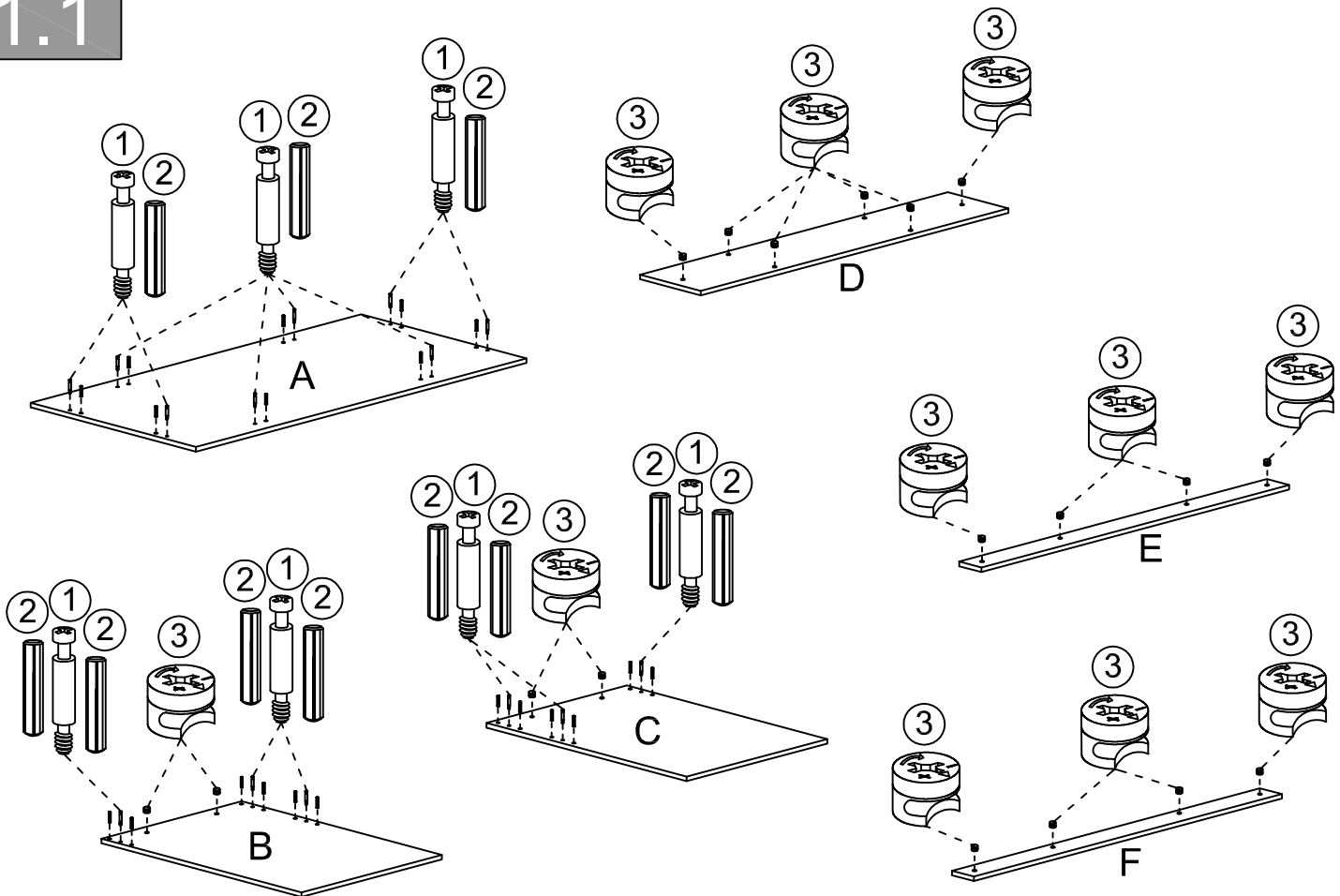
		Box number
A	1380x600	1/2
B	720x510	2/2
C	720x510	2/2
D	1298x220	1/2
E	1298x82	1/2
F	1298x81	1/2



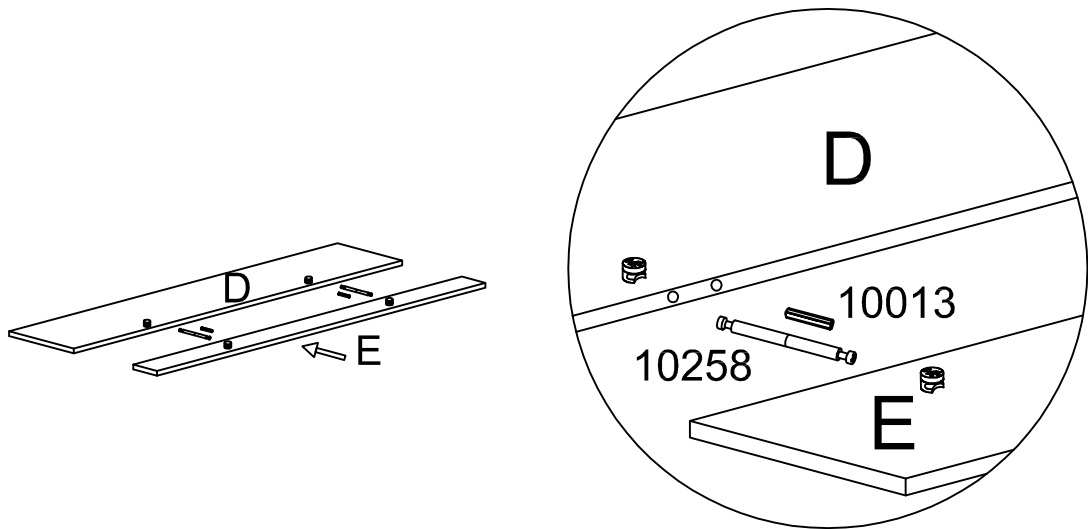
1



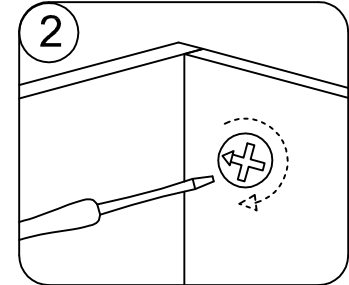
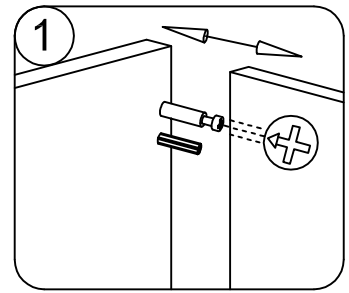
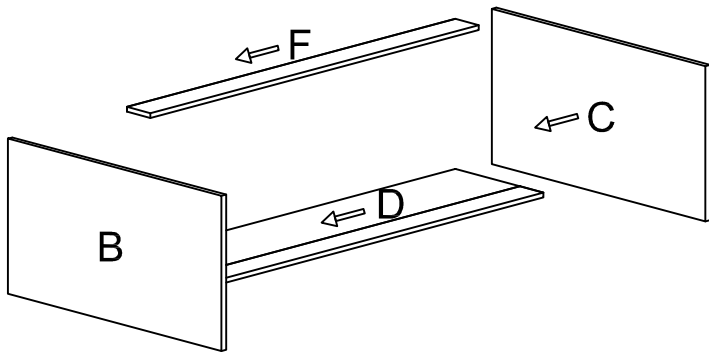
1.1



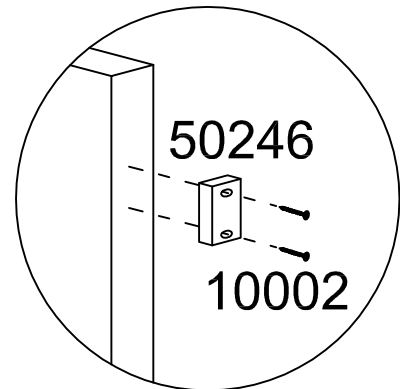
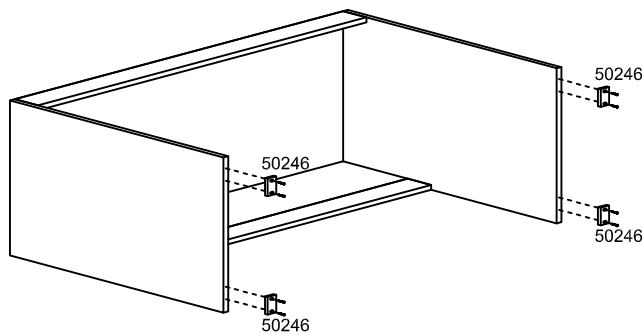
1.2



1.3



1.4



1.5

