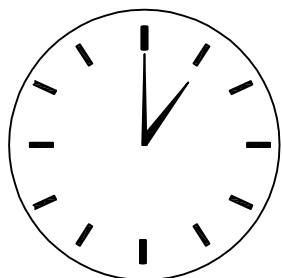
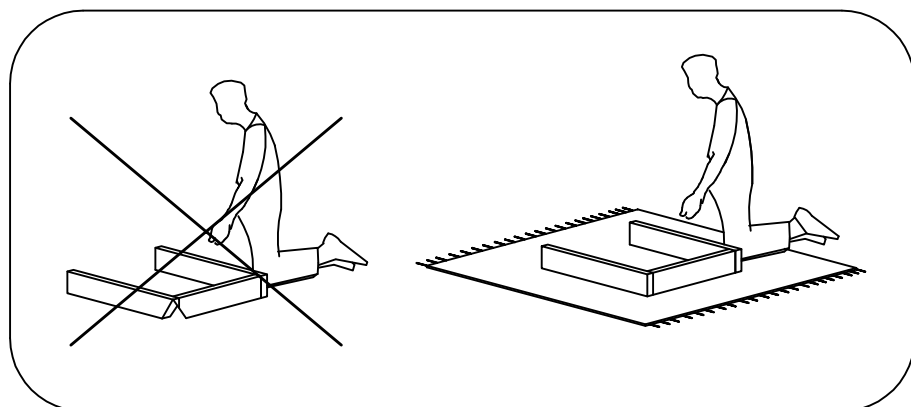
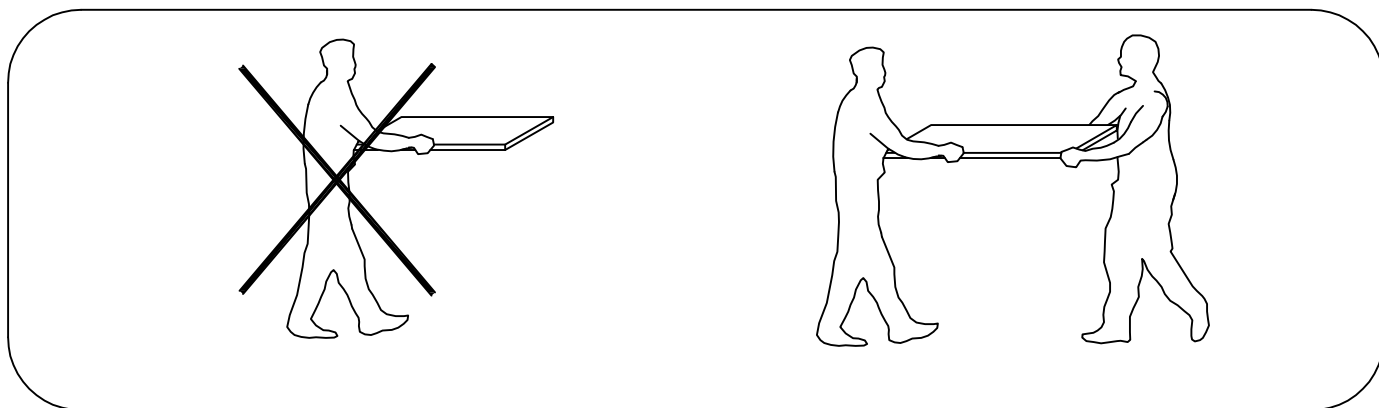
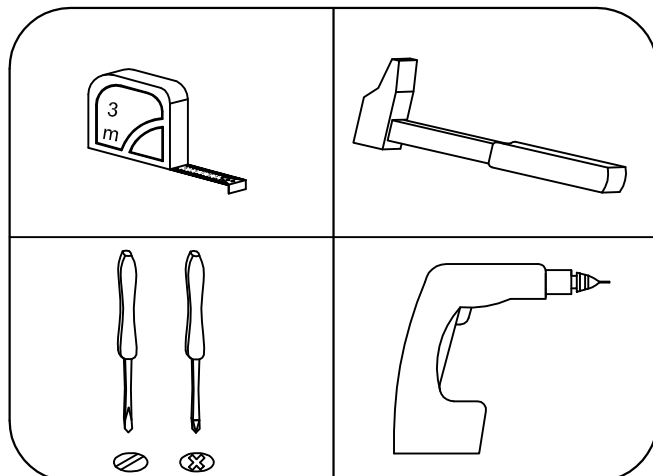
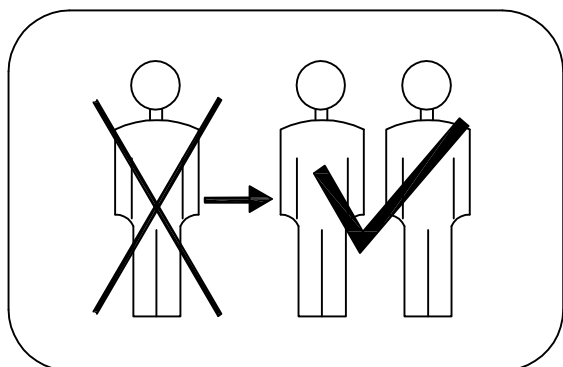
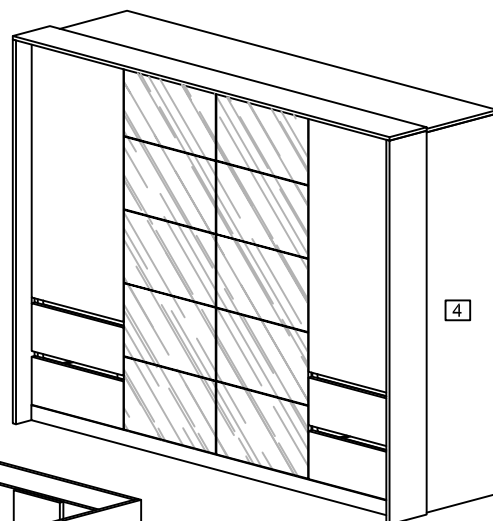
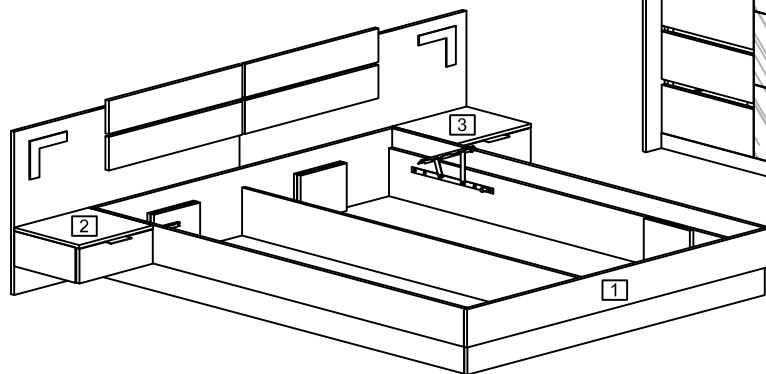
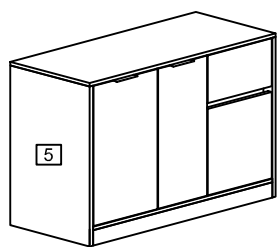


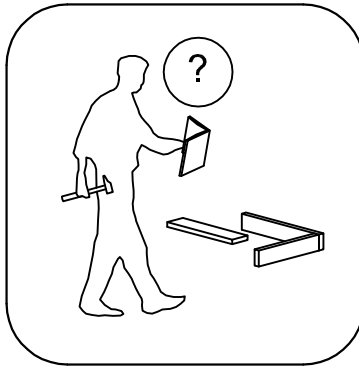
City 7054

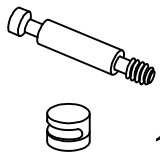
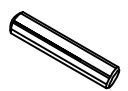
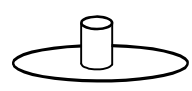
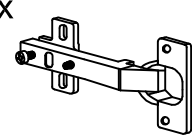
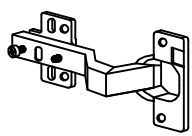
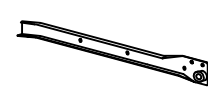
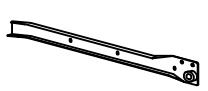
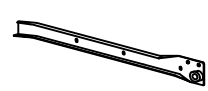

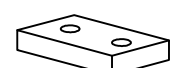
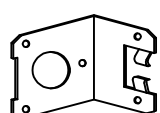
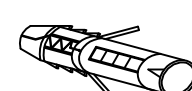
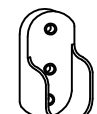
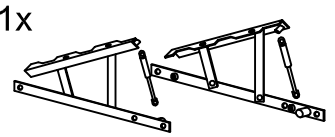



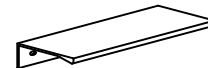


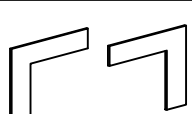
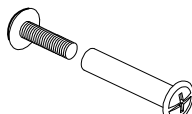
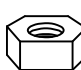
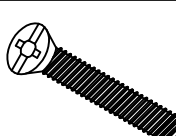
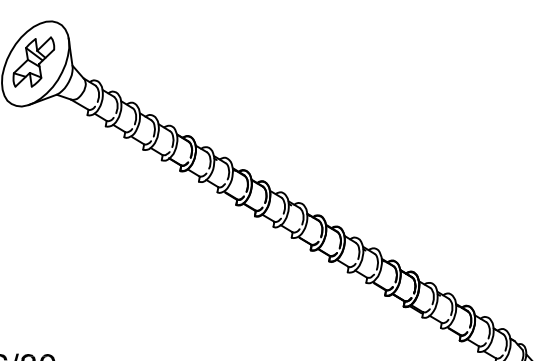
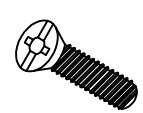
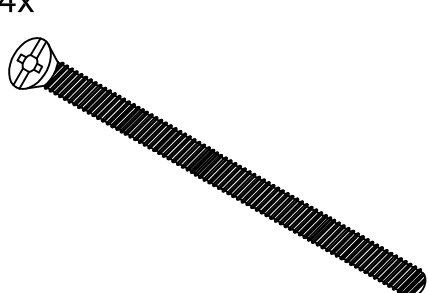


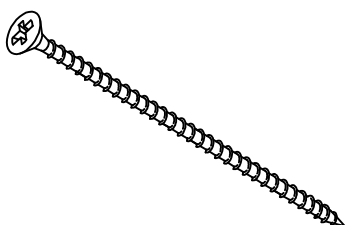
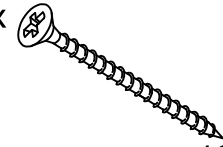


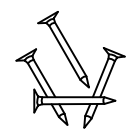
240 min.

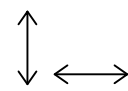


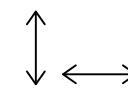
<http://www.irimbg.com/instructions/>

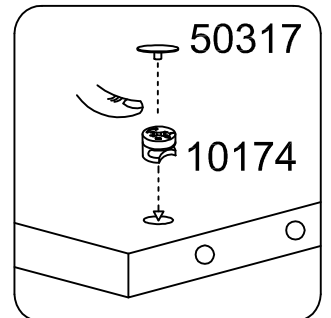
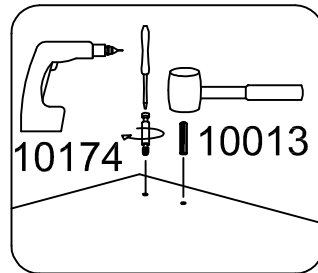
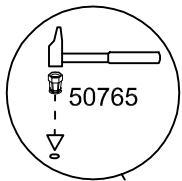
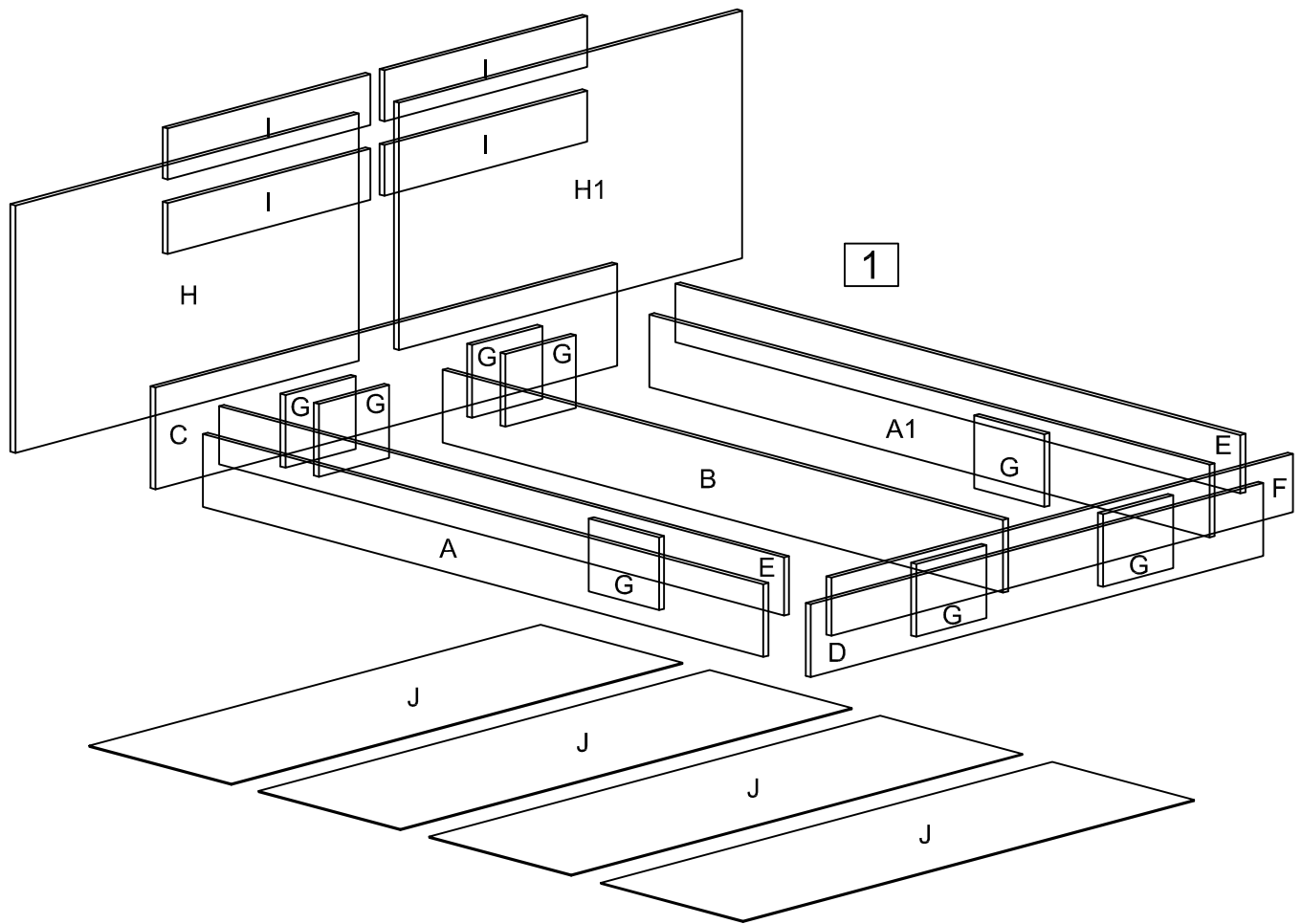


116x  10174	156x  Φ 8/30 10013	116x  50317	14x  40158
6x  40160	2x  L 300 mm 50953	1x  L 400 mm 50955	4x  L 450 mm 50956
20x  50332	25x  50246	2x  51066	2x  10060
4x  50011	1x  50350	34x  50765	8x  M 6,5 10032
6x  50434	4x  L 120 mm 20378	2x  L 335 mm 20379	2x  LED 70 80747
1x  LED 74 80810	4x  10037	4x  M 6 10030	26x  M 6x25 10195
2x  Φ 6/80 10021	8x  M 6x12 10132	4x  M 6x60 10051	

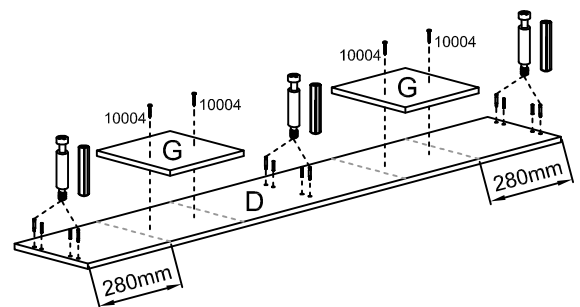
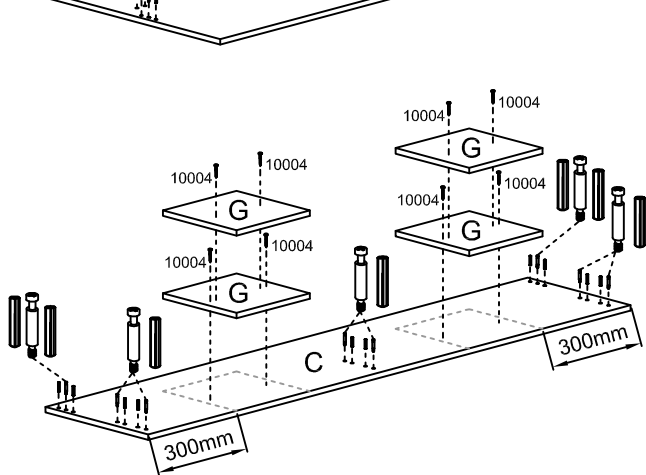
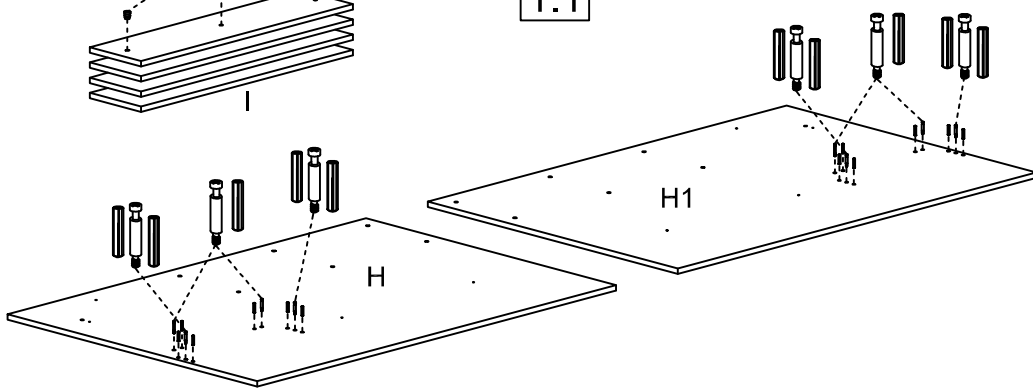
4x  M 6x50 10065	35x  Φ 3,5/30 10004	87x  Φ 3,5/20 10002	193x  Φ 3,5/16 10001
	 10033		

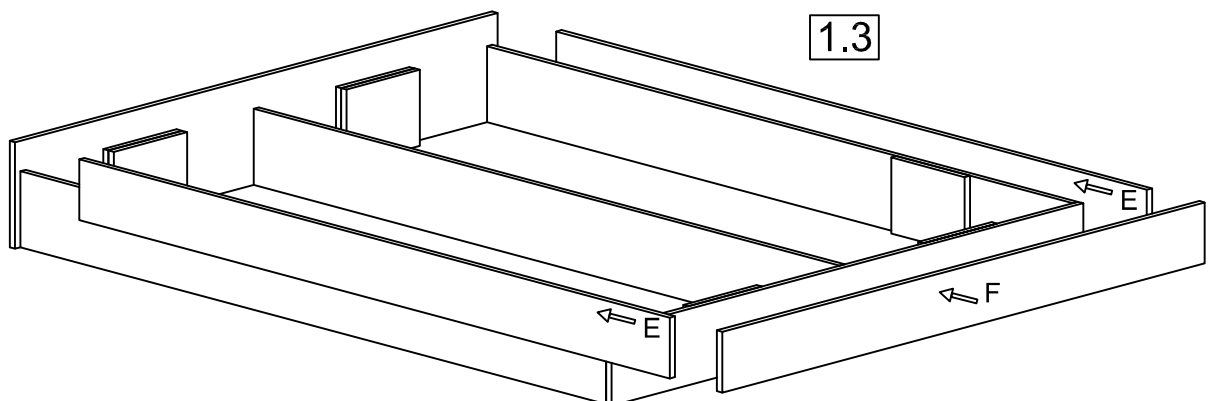
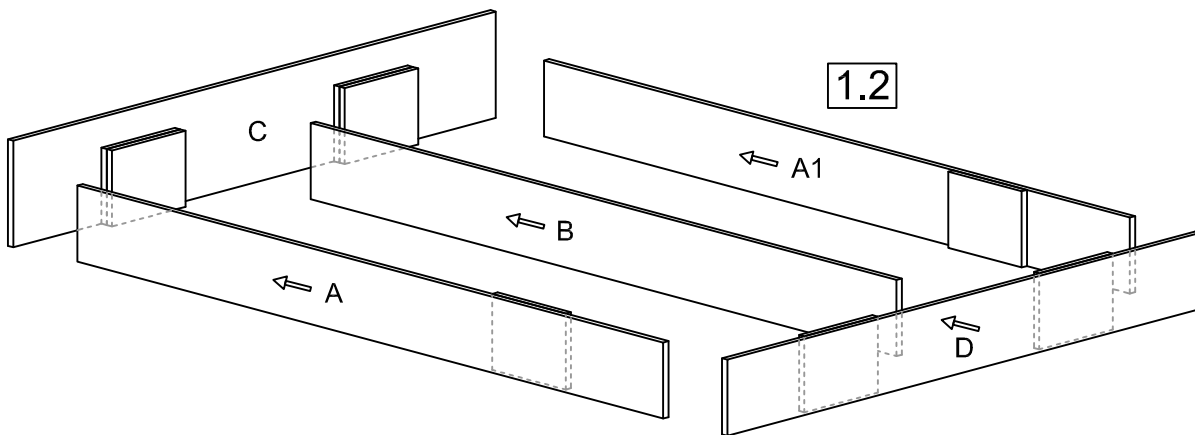
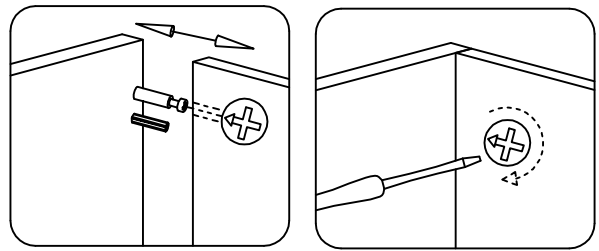
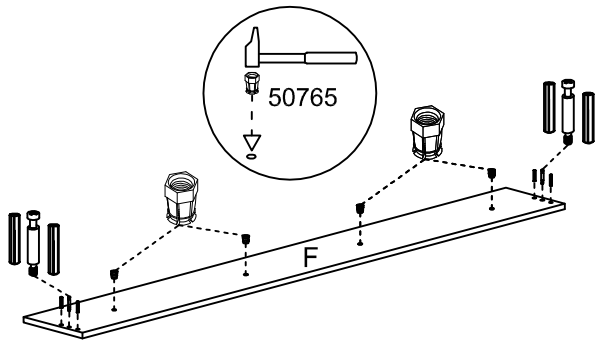
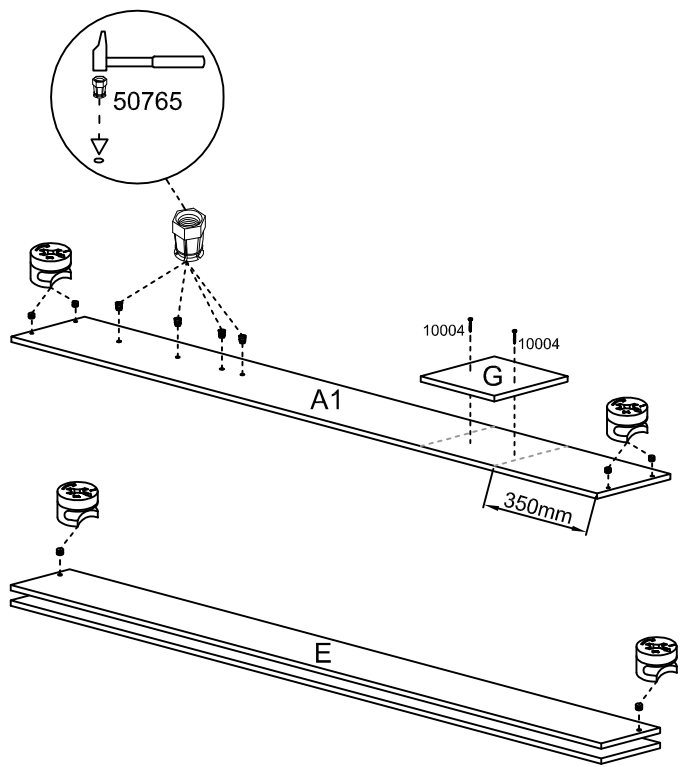
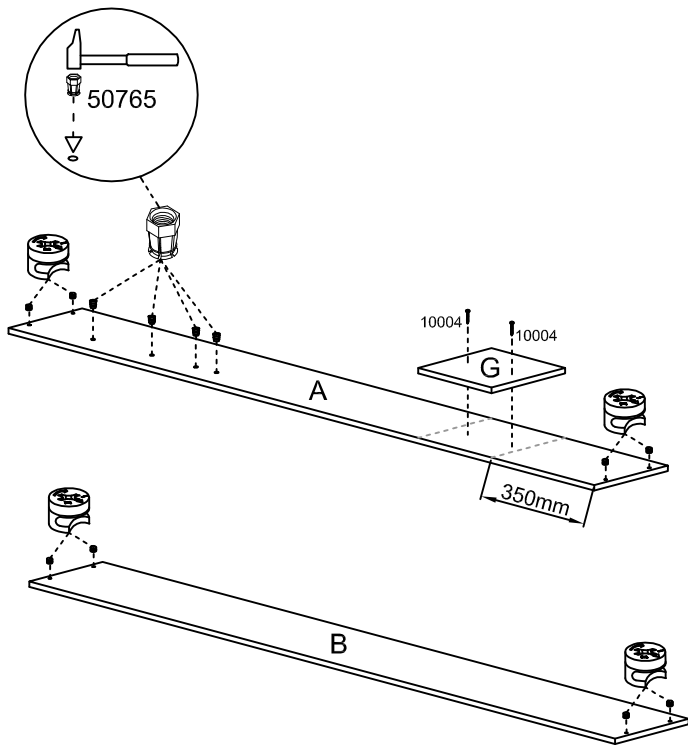
		Box number
A,A1	2x 1994x250	4/16
B	1994x250	4/16
C	1642x350	1/16
D	1610x250	1/16
E	2x 2010x200	3/16
F	1642x200	3/16
G	8x 250x250	4/16
H,H1	2x 1221x850	2/16
I	4x 721x175	1/16
J	4x 505x1605	14/16
L	2x 400x350	5/16
M	2x 368x100	5/16
N	2x 184x330	5/16
O	2x 184x330	5/16
P	4x 300x100	5/16
Q	4x 311x100	5/16
R	2x 340x295	14/16
S	2x 396x180	5/16
T	1984x500	12/16
U	1984x500	12/16
V	1888x500	13/16
W	1888x500	13/16
X	1968x500	11/16
Y	2000x500	11/16
Z	4x 968x420	7/16
AA	2x 484x500	6/16
AB	4x 484x80	10/16

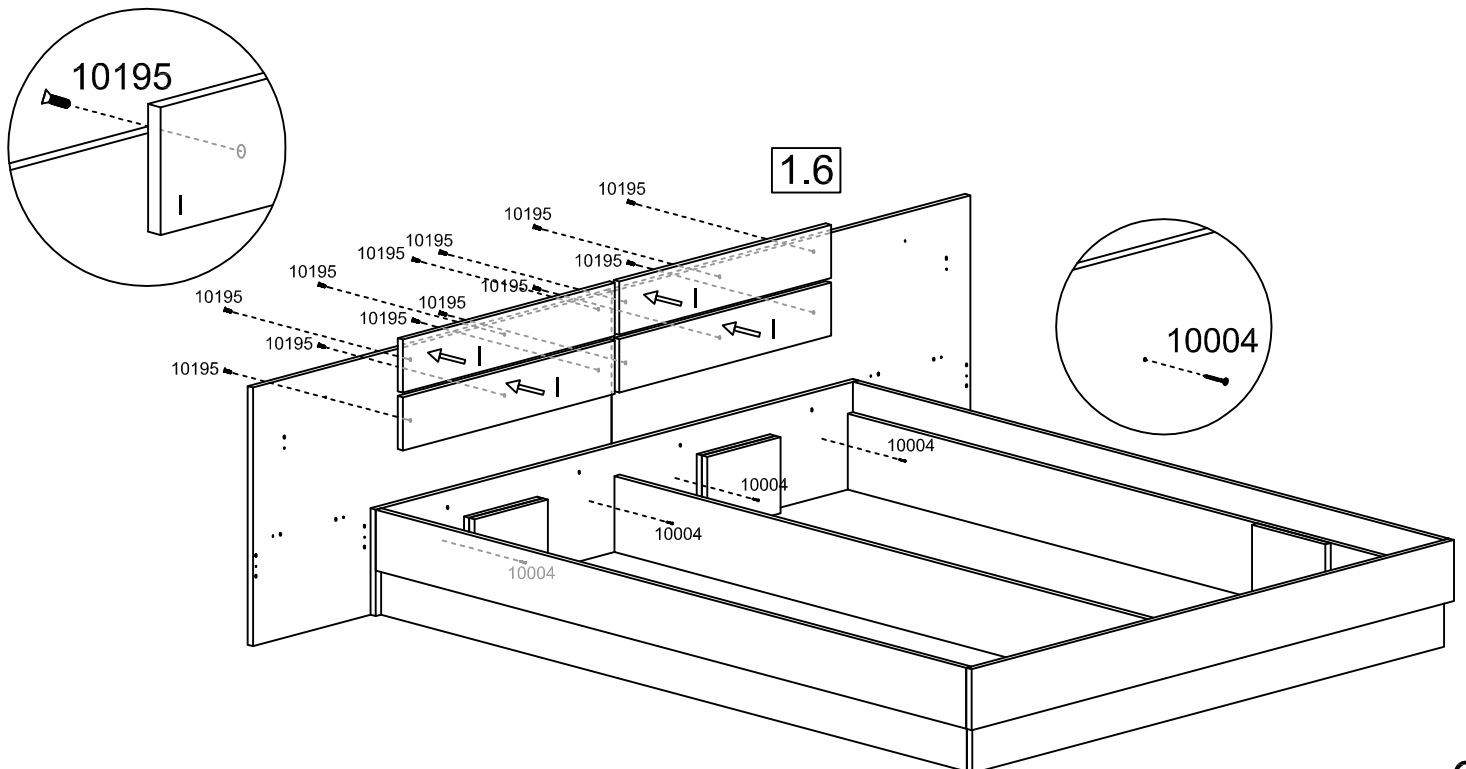
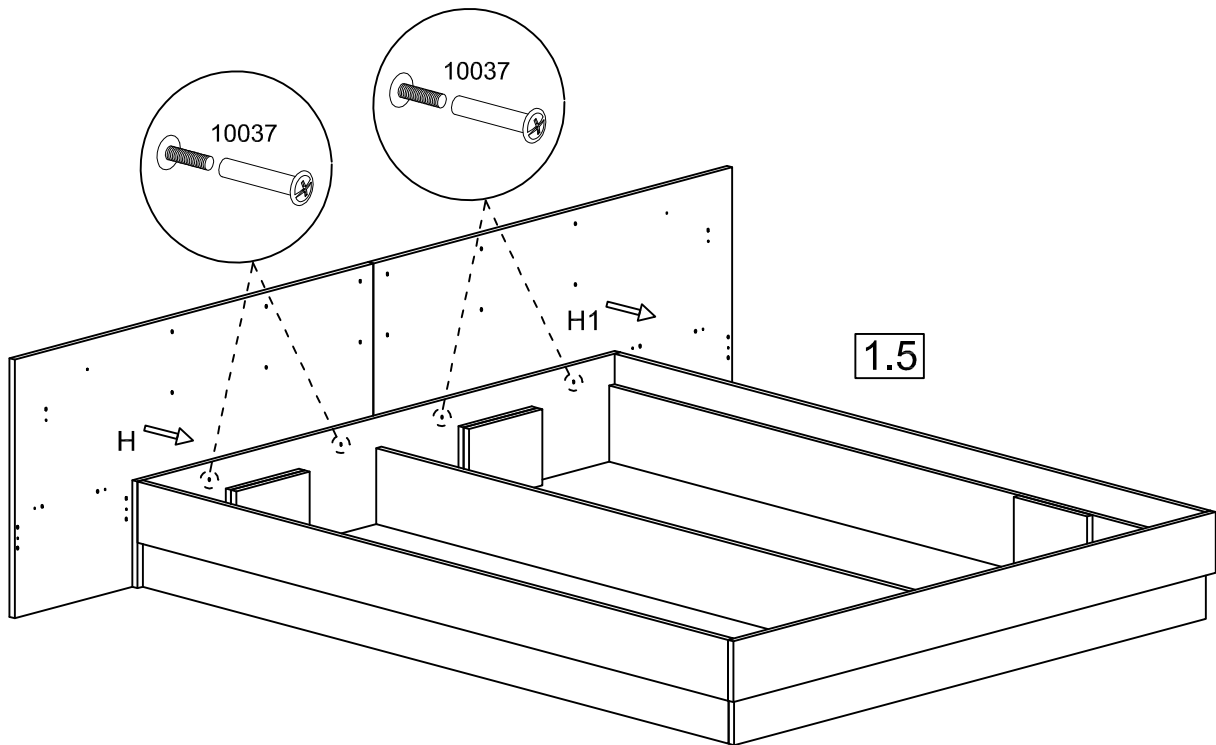
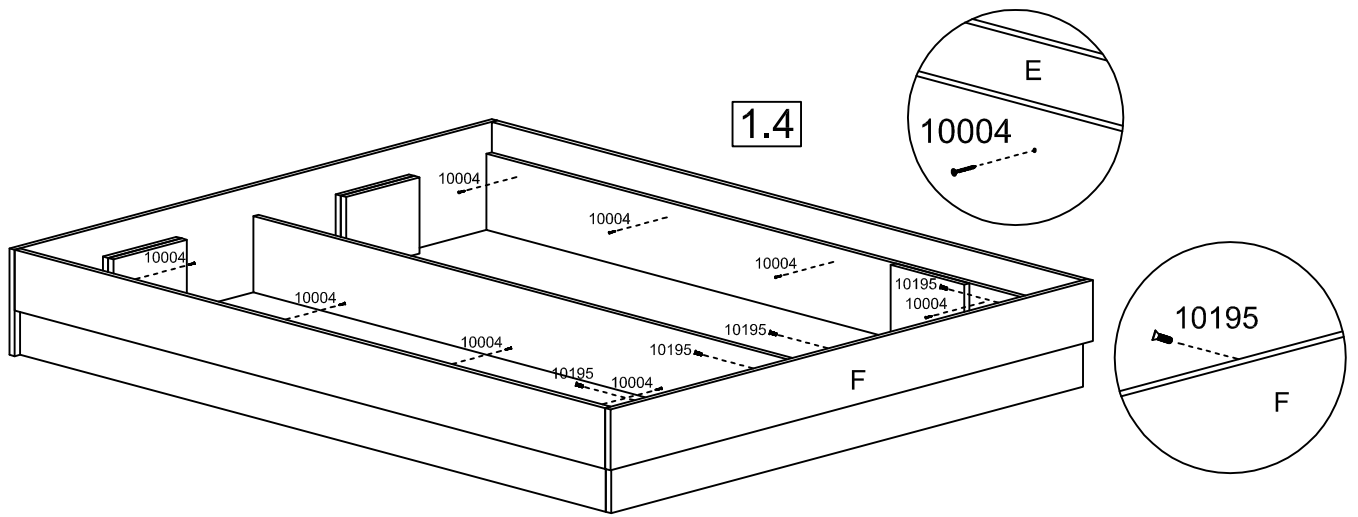
		Box number
AC	2x 500x80	10/16
AD	2000x80	10/16
AE	2x 1915x505	14/16
AF	2x 1915x490	14/16
AG	2x 2000x200	10/16
AH	2032x200	10/16
AI	8x 450x150	6,7/16
AJ	8x 427x150	7/16
AK	4x 456x445	14/16
AL,AL1	4x 250x496	6/16
AM	2x 1354x496	6/16
AN,AN1	2x 1914x496	8,9/16
AO	834x430	15/16
AP	834x430	15/16
AQ	738x410	16/16
AR	968x430	15/16
AS	1000x430	15/16
AT	620x410	16/16
AU	332x80	16/16
AV	968x80	15/16
AW	765x640	2/16
AX	765x354	14/16
AY	731x345	15/16
AZ	731x266	16/16
BA	451x345	16/16
BB	2x 400x150	15/16
BC	2x 275x150	16/16
BD	304x395	14/16
BE	250x345	15/16

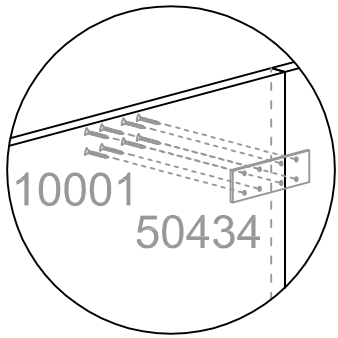


1.1

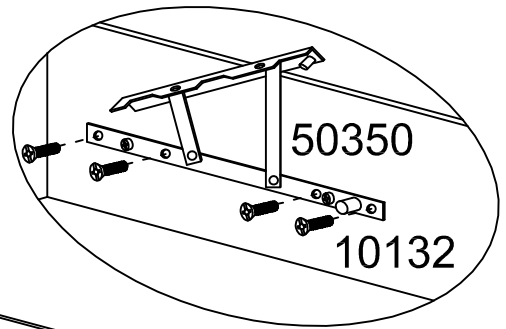
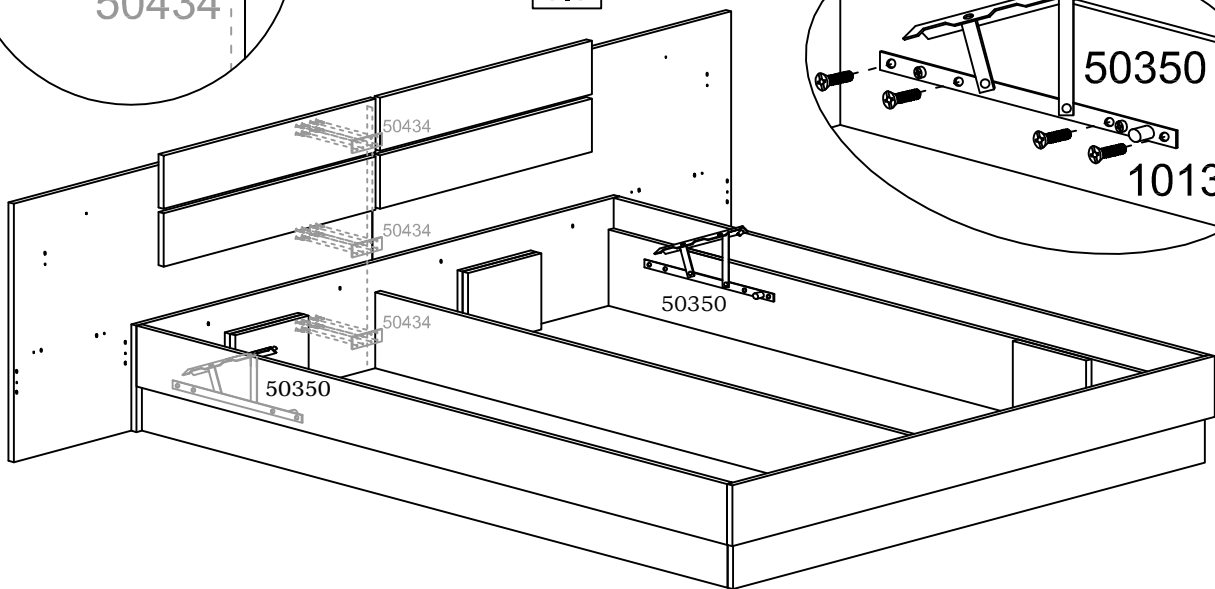




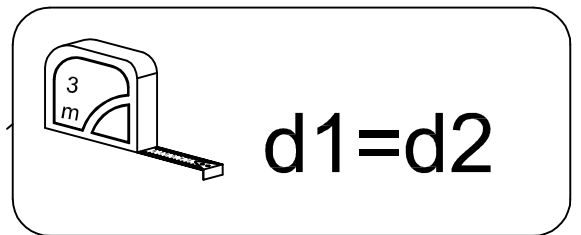
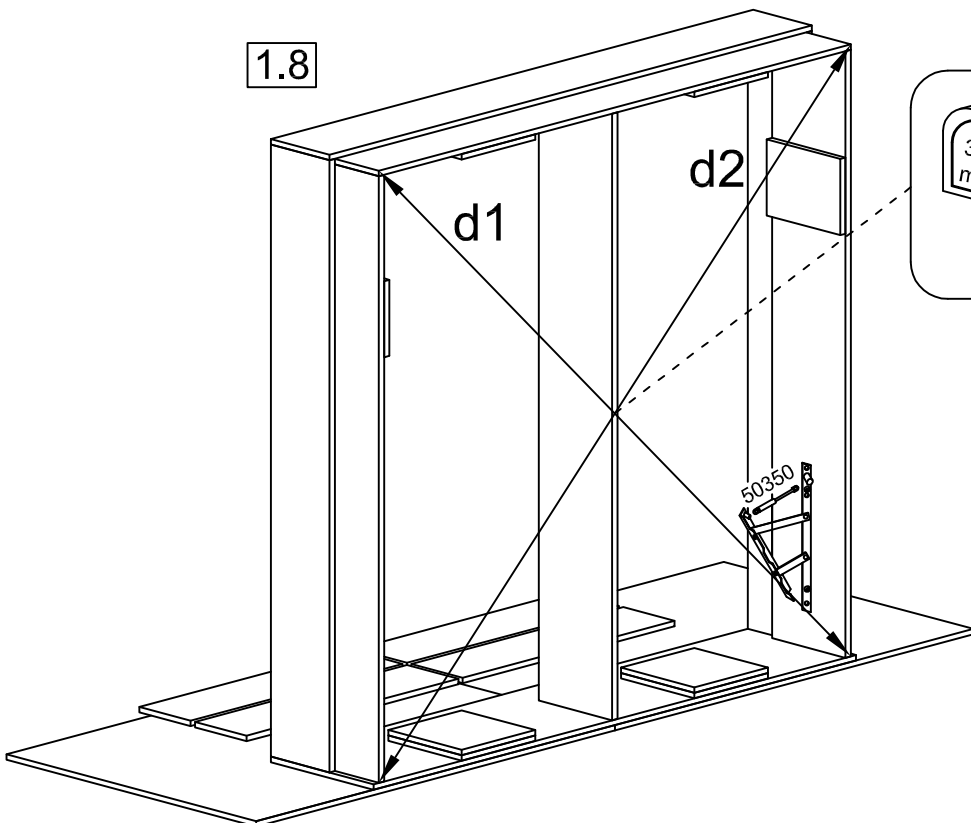


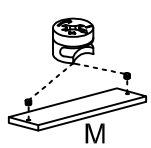
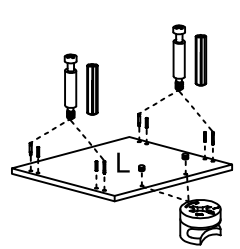
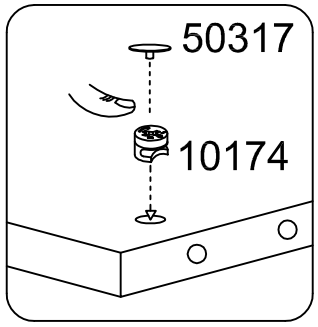
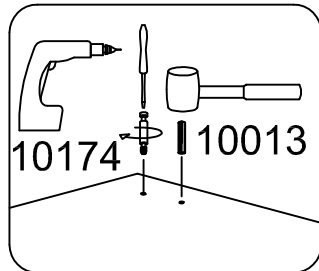
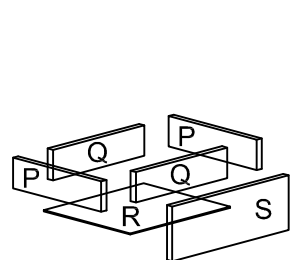
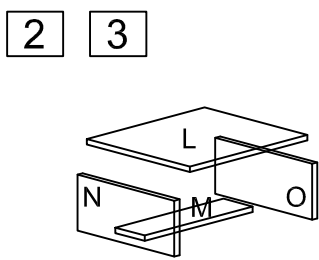
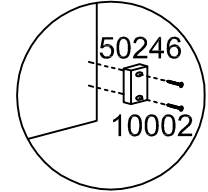
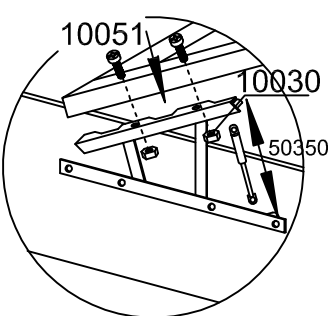
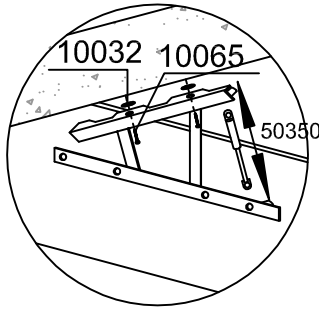
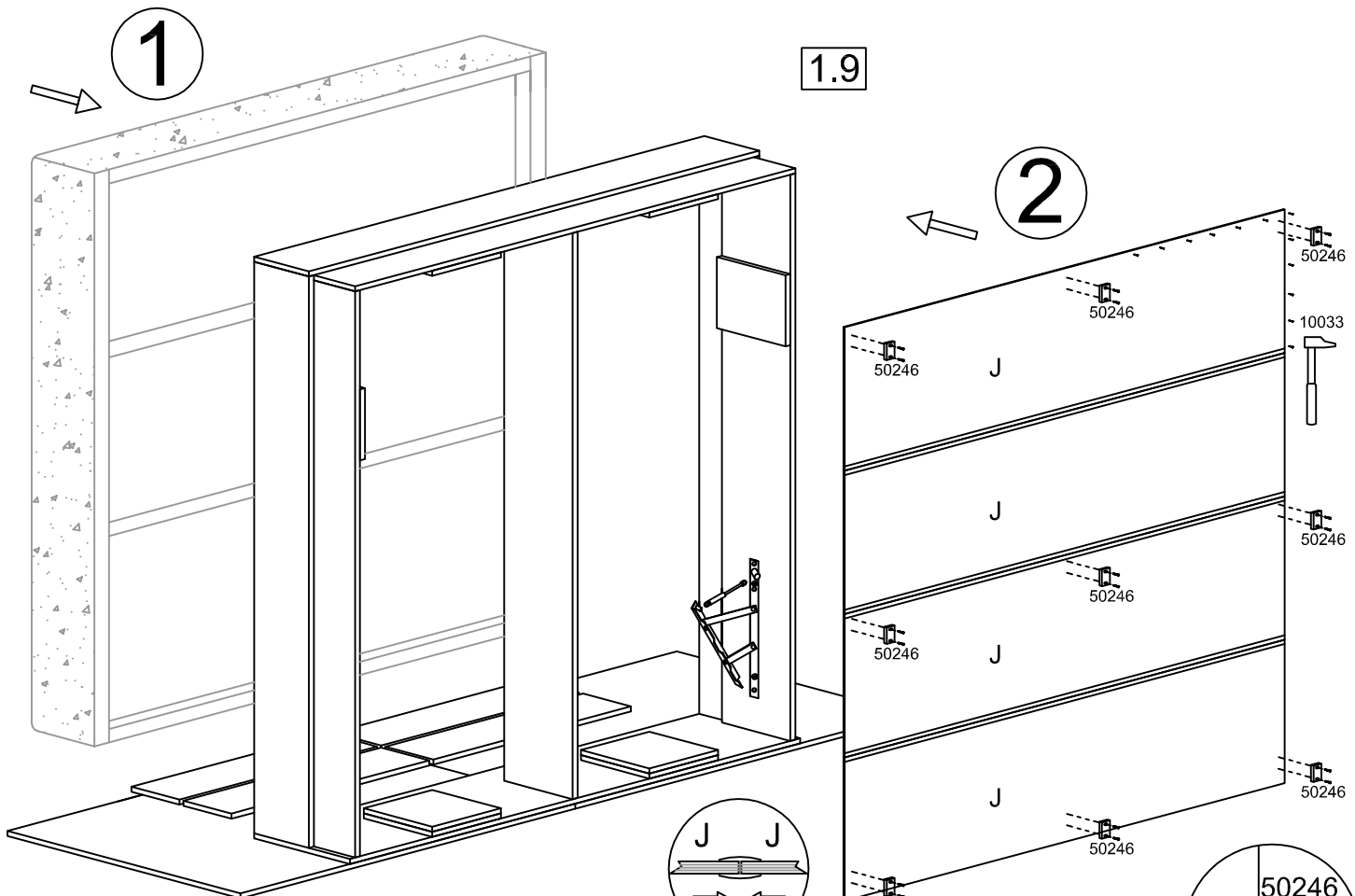


1.7

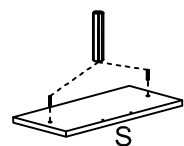
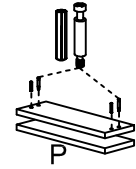
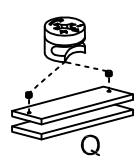
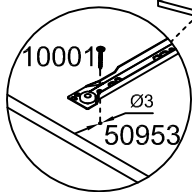
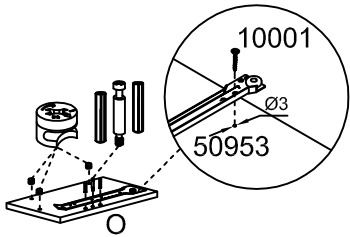
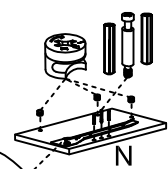


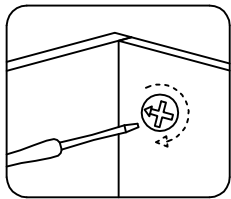
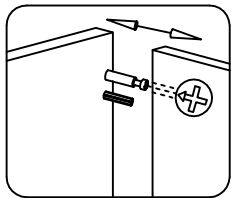
1.8



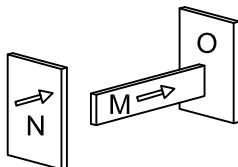


2.1 3.1

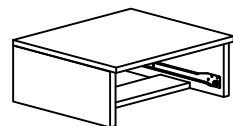
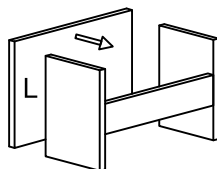




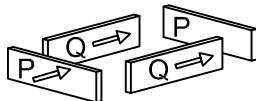
2.2 3.2



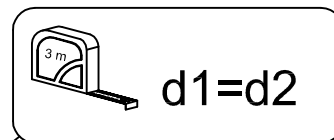
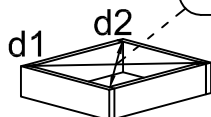
2.3 3.3



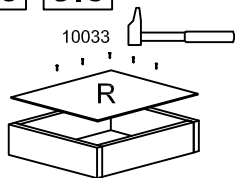
2.4 3.4



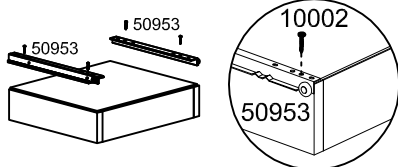
2.5 3.5



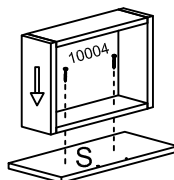
2.6 3.6



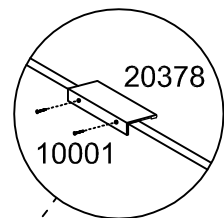
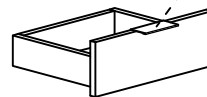
2.7 3.7



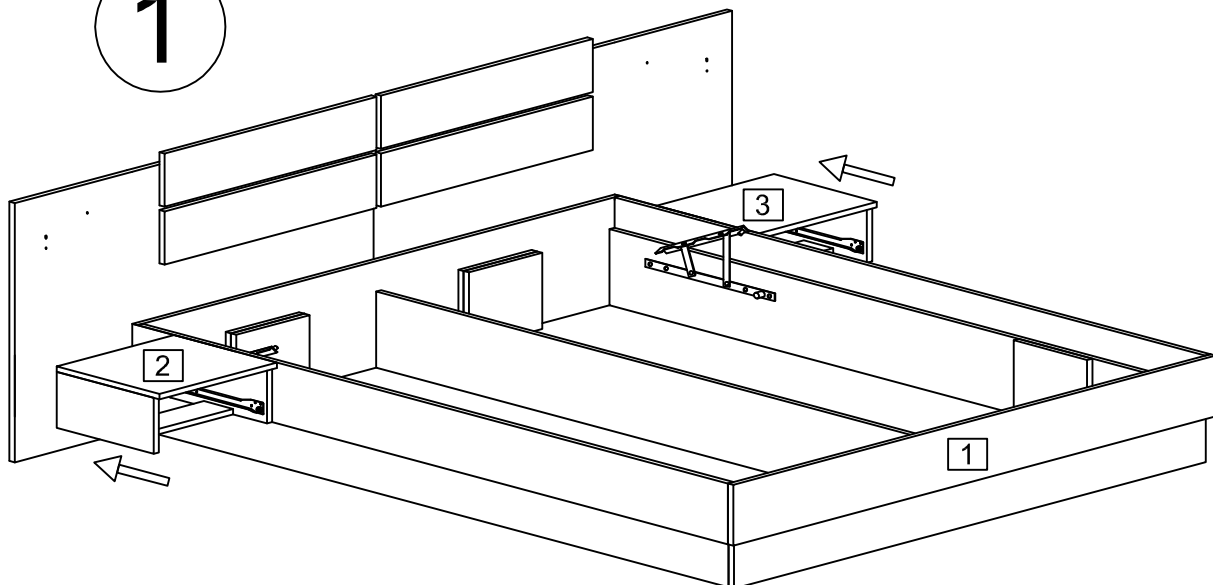
2.8 3.8



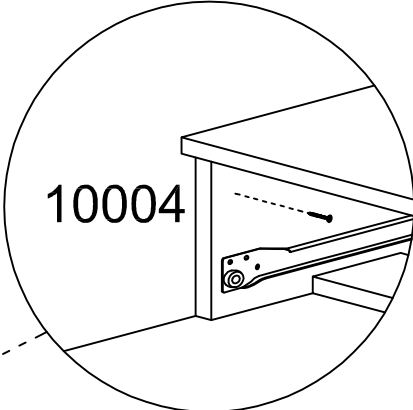
2.9 3.9



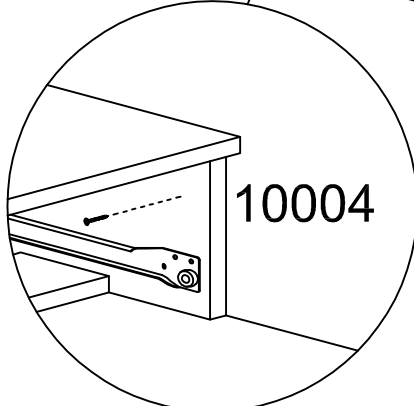
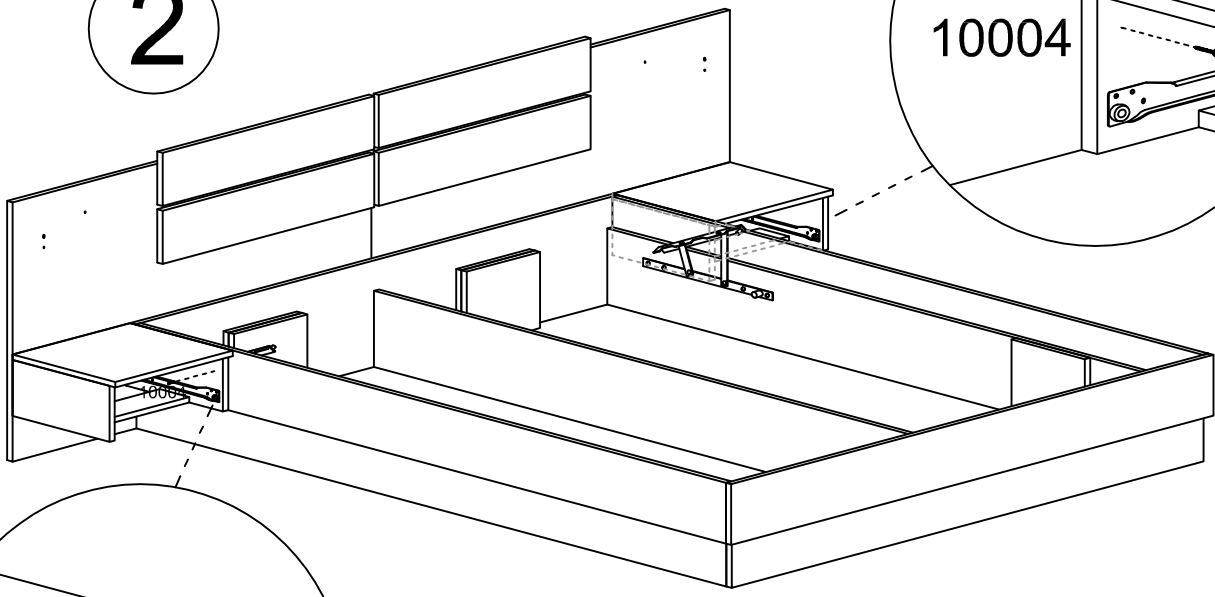
1



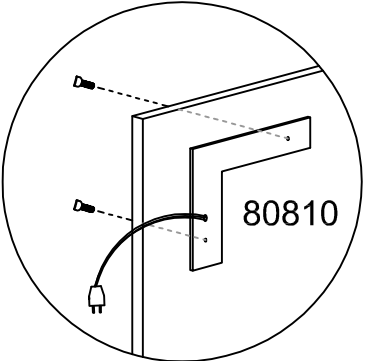
2



10004

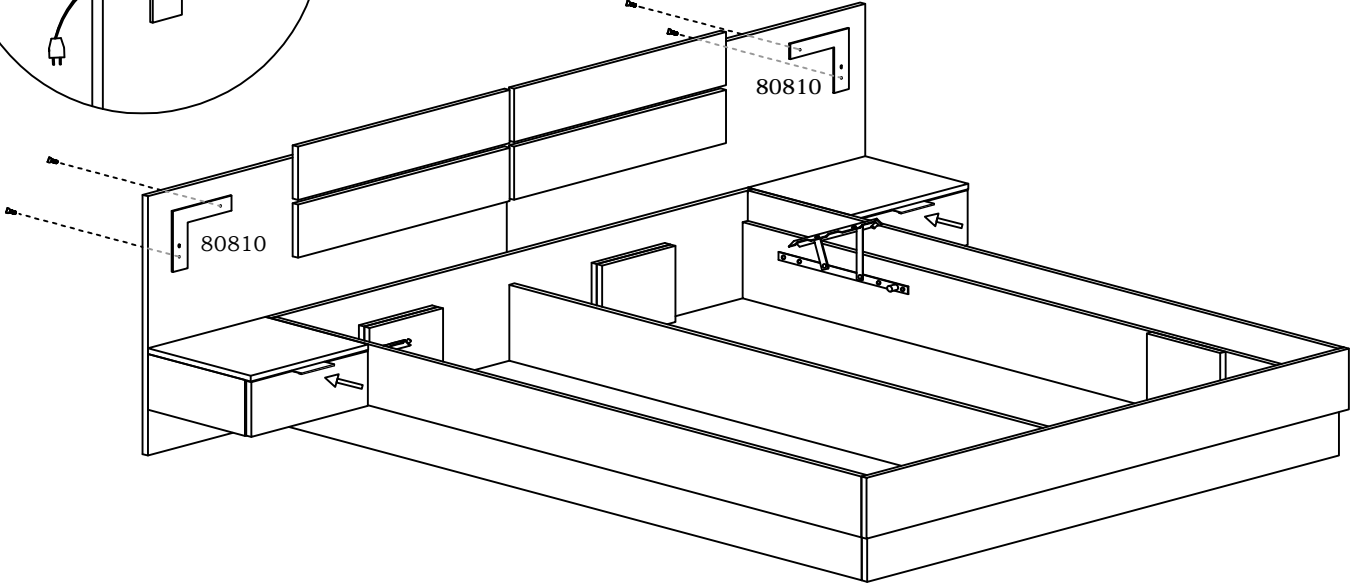


10004



80810

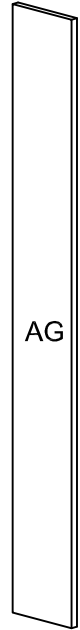
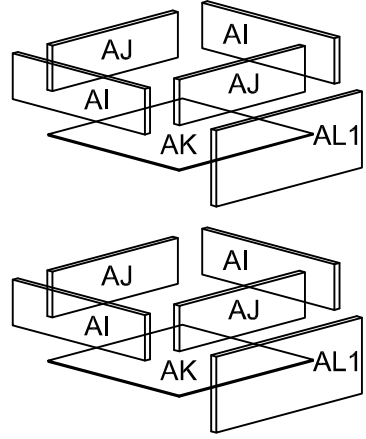
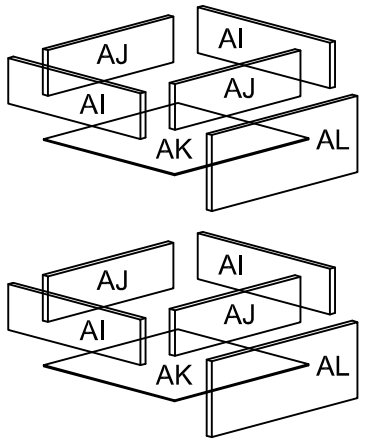
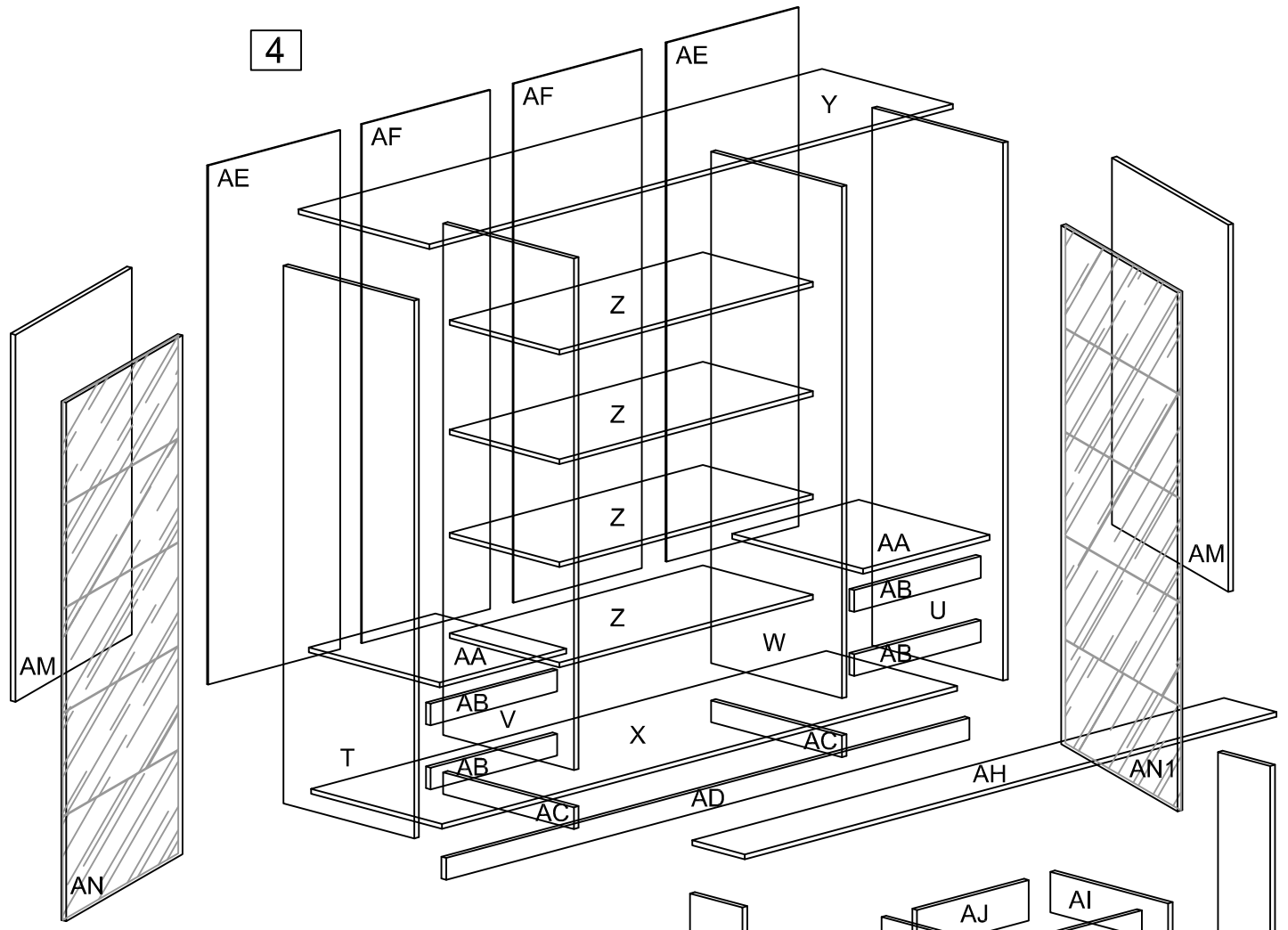
3



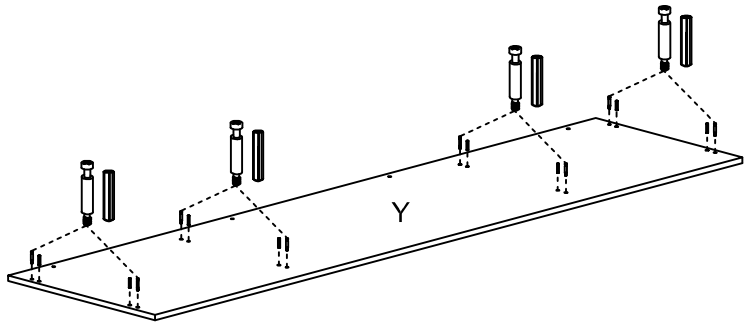
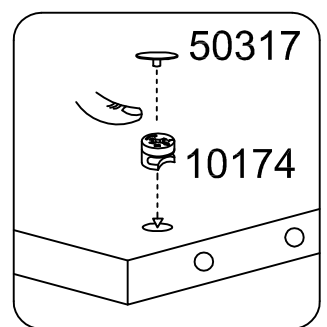
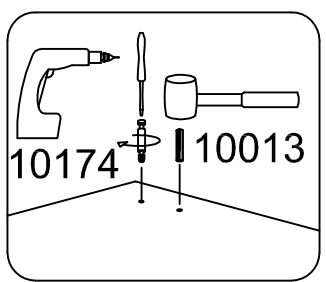
80810

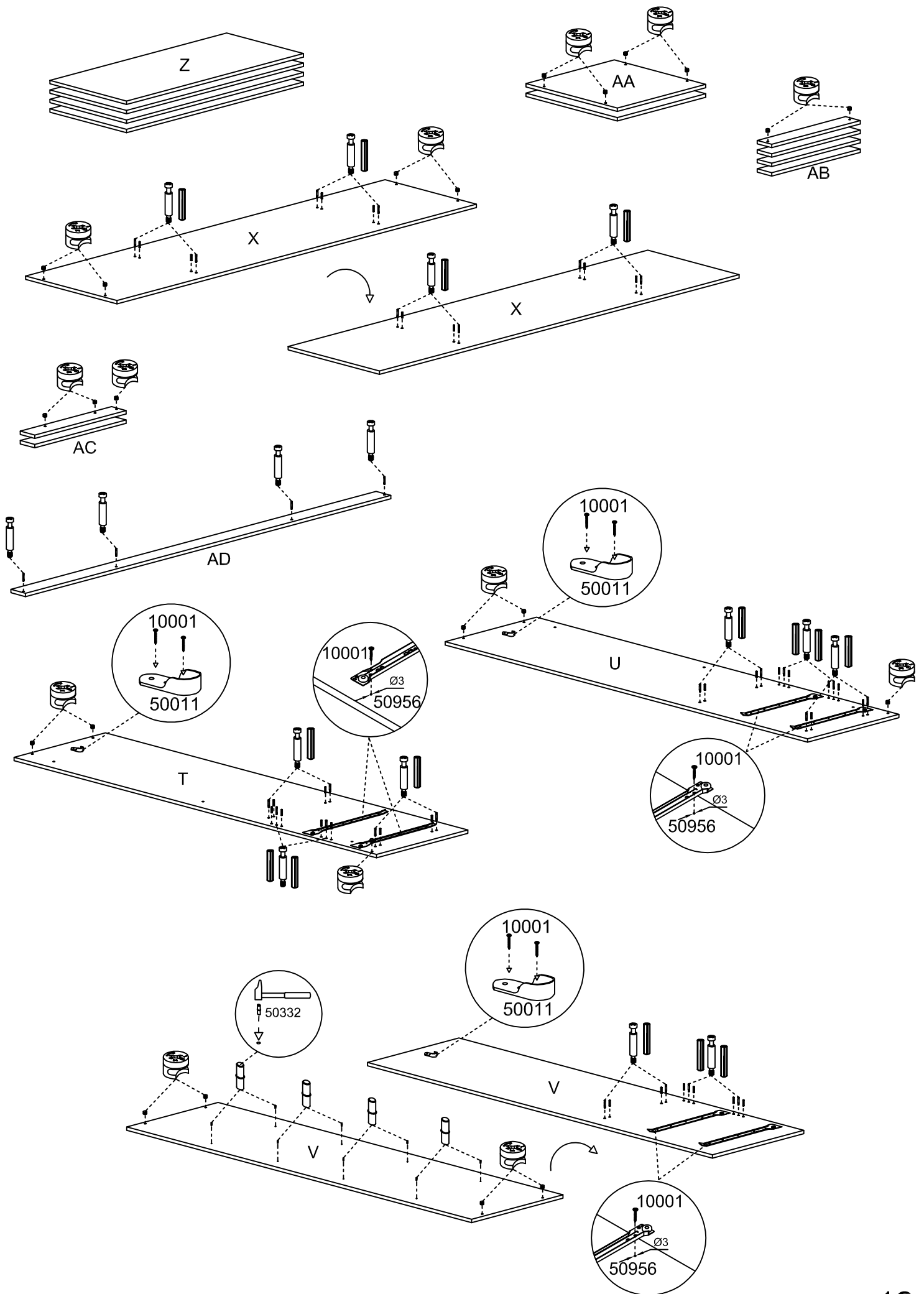
80810

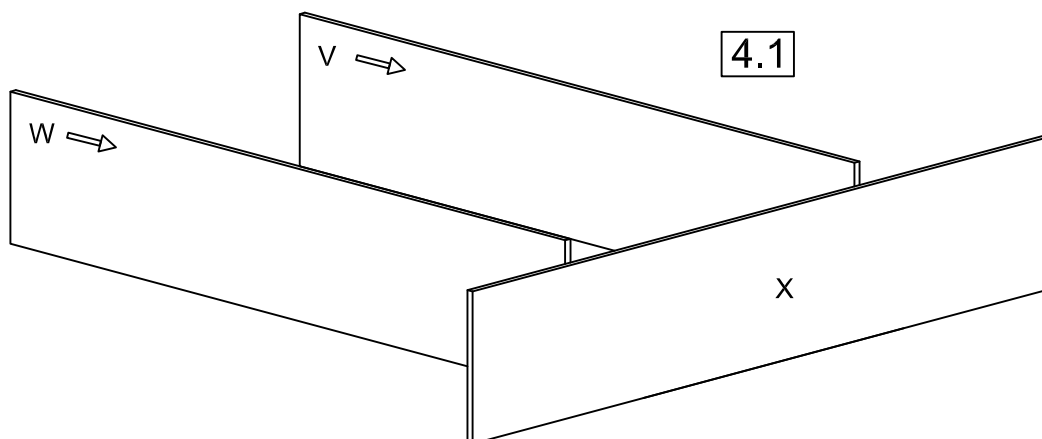
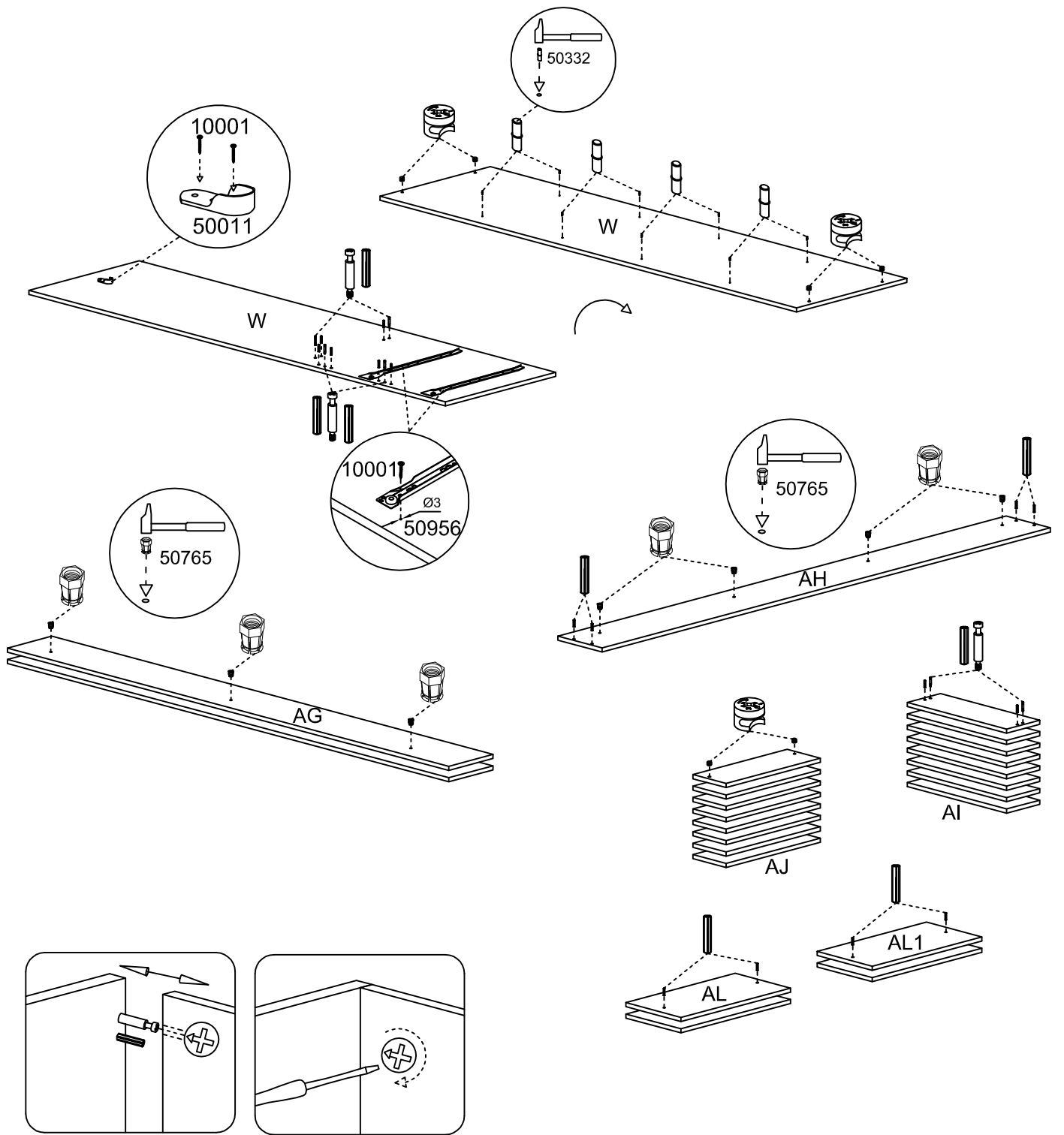
4



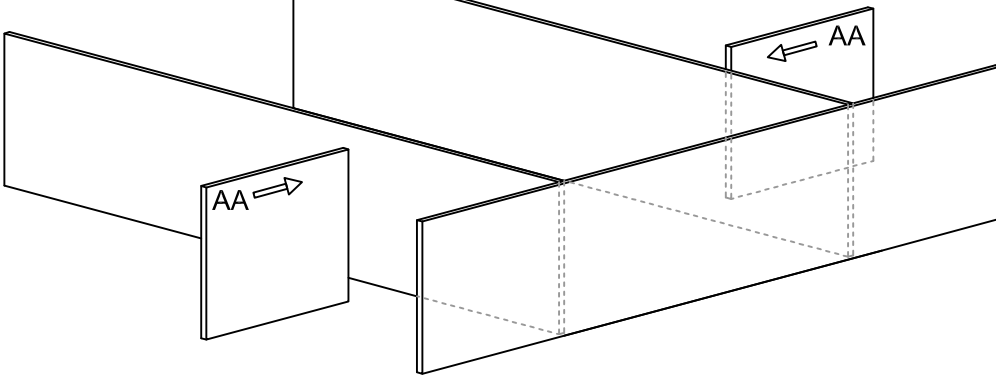
4.1



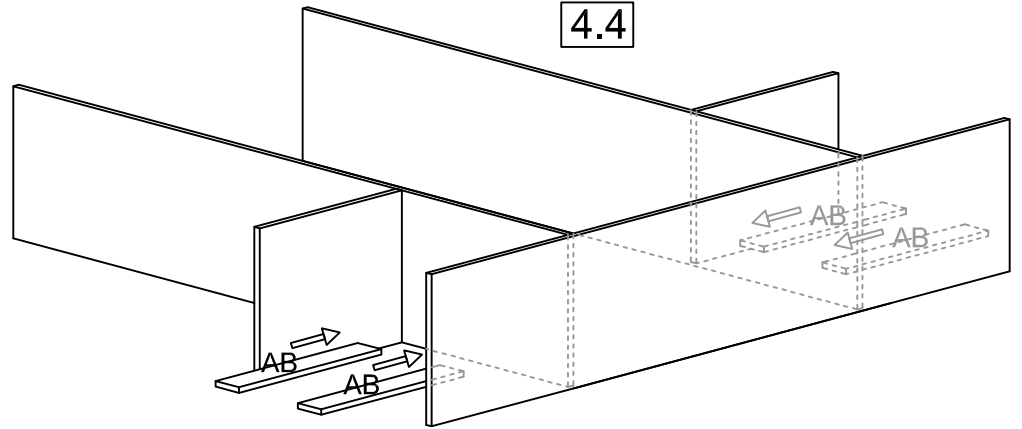




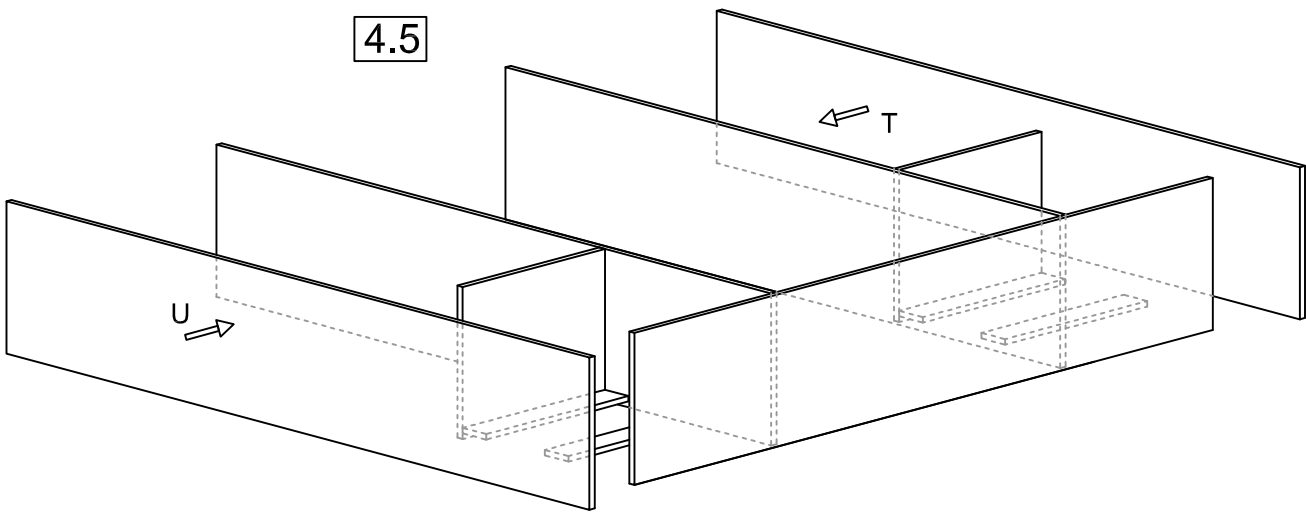
4.3



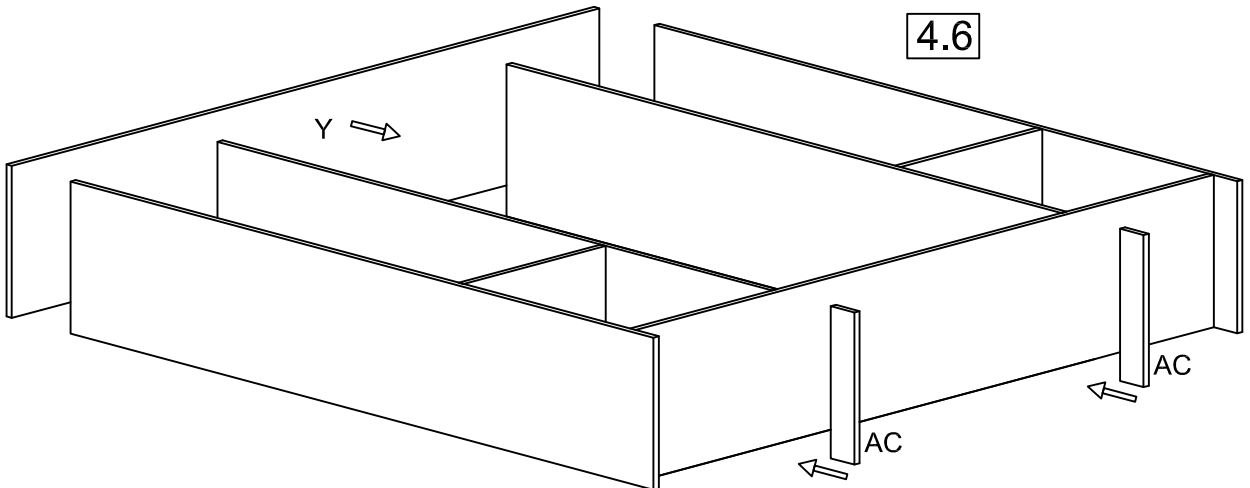
4.4

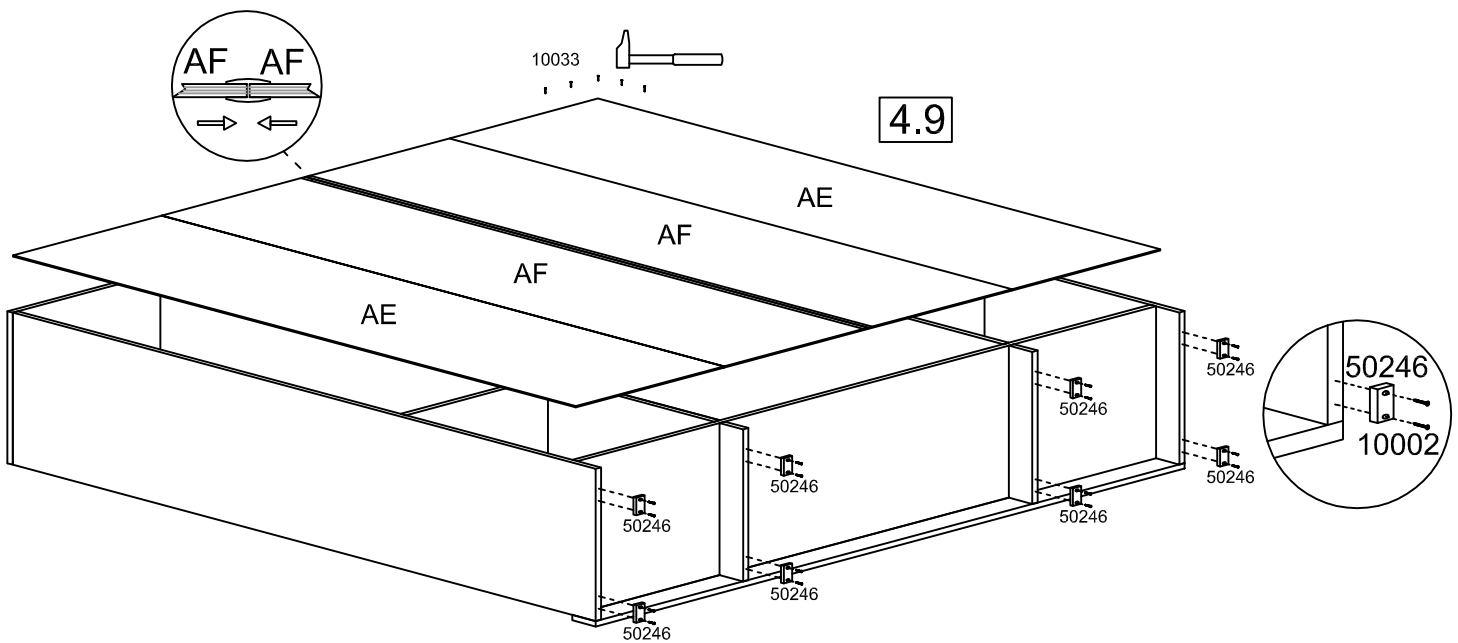
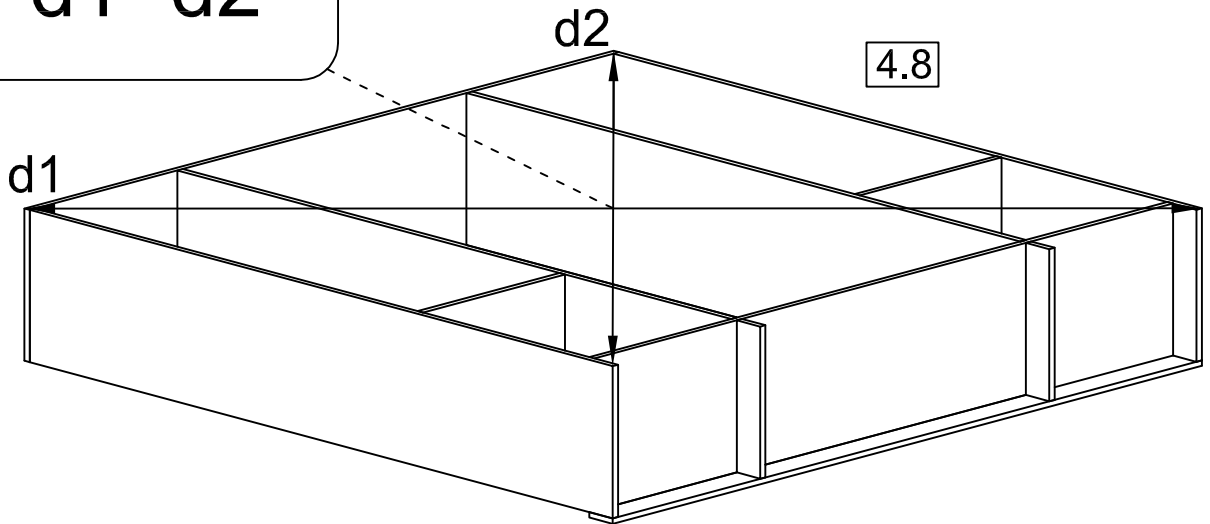
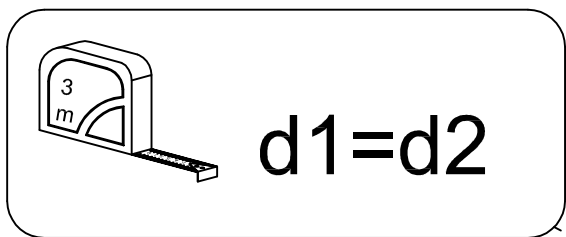
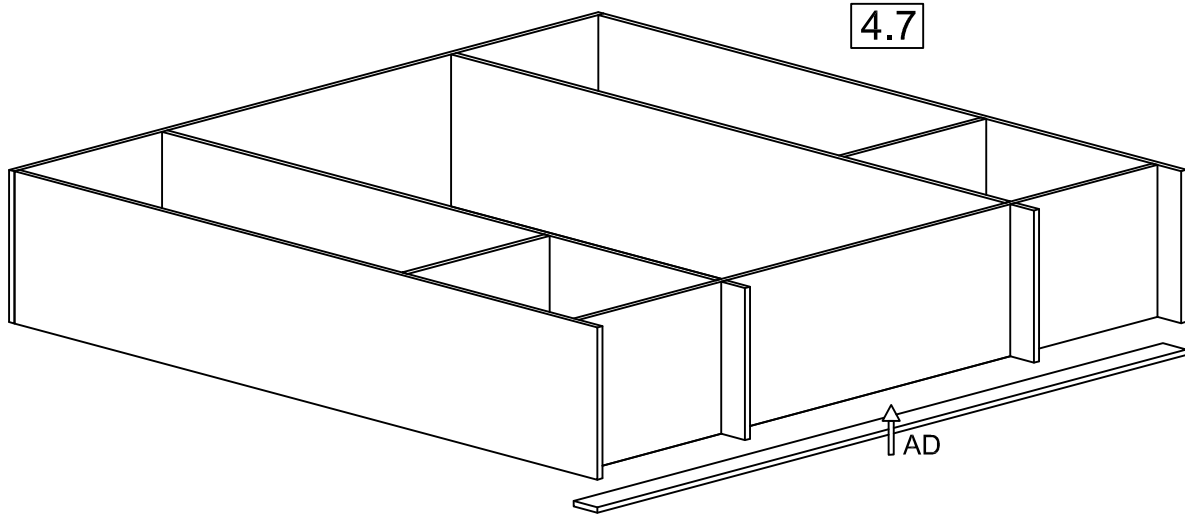


4.5

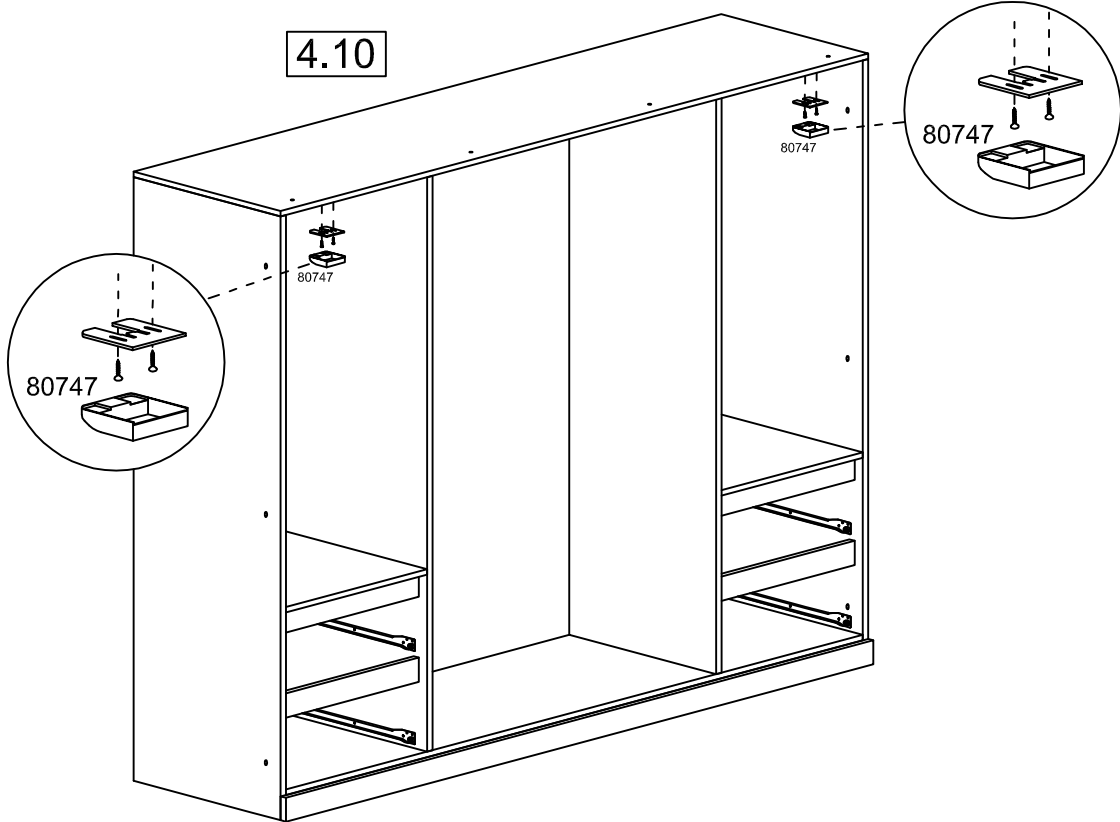


4.6

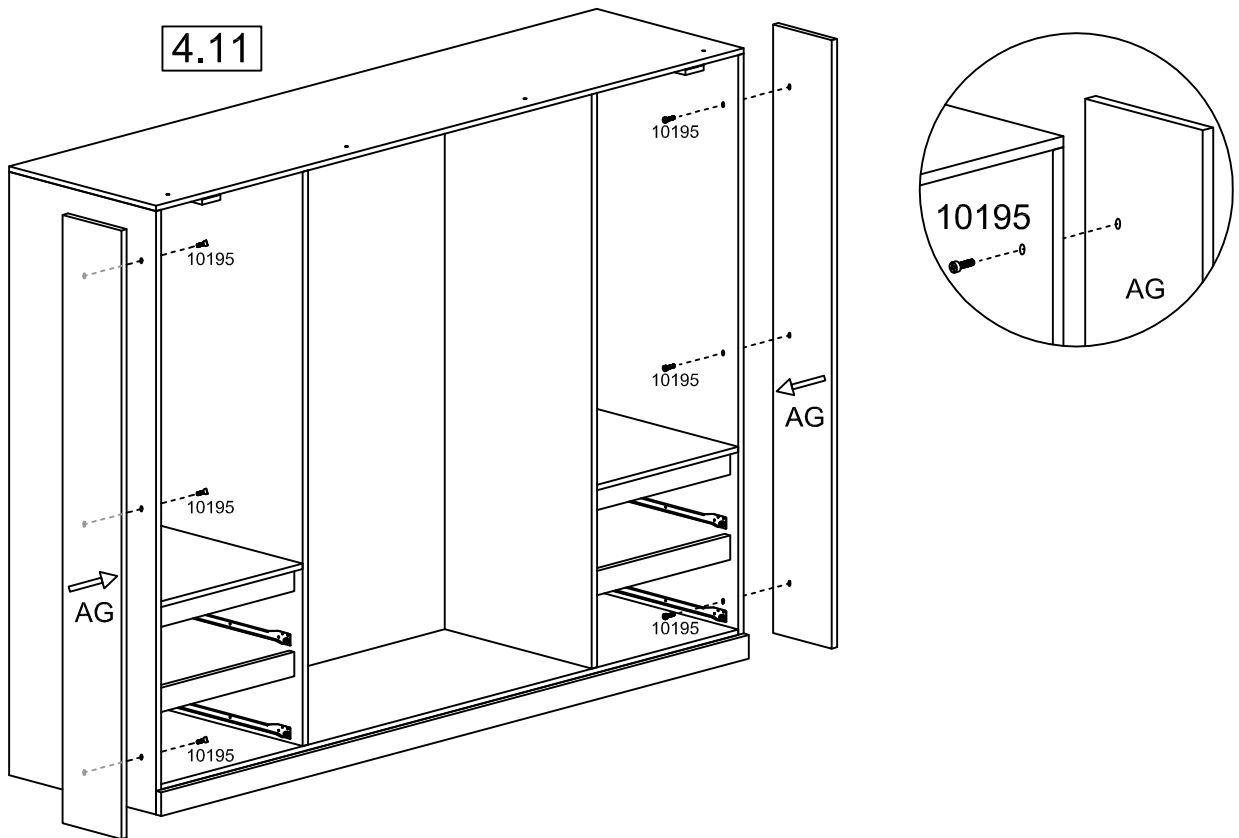




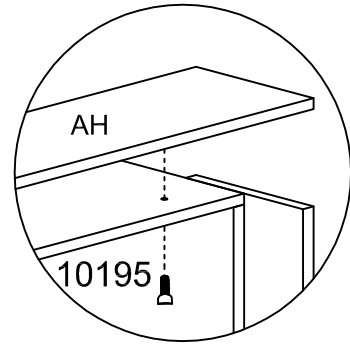
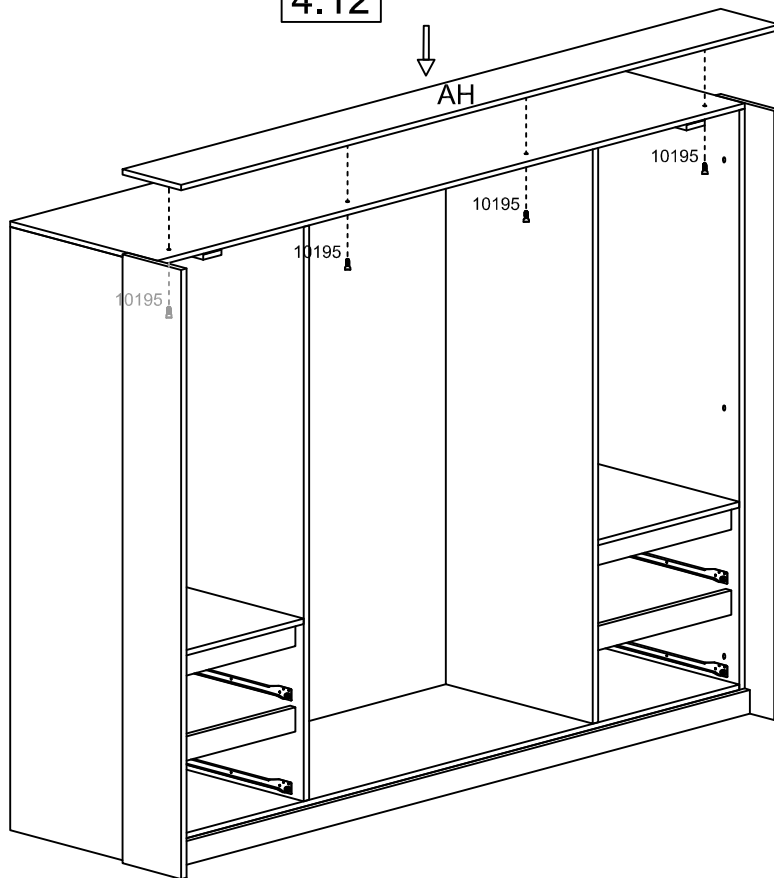
4.10



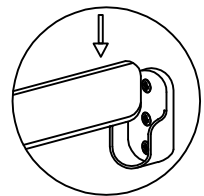
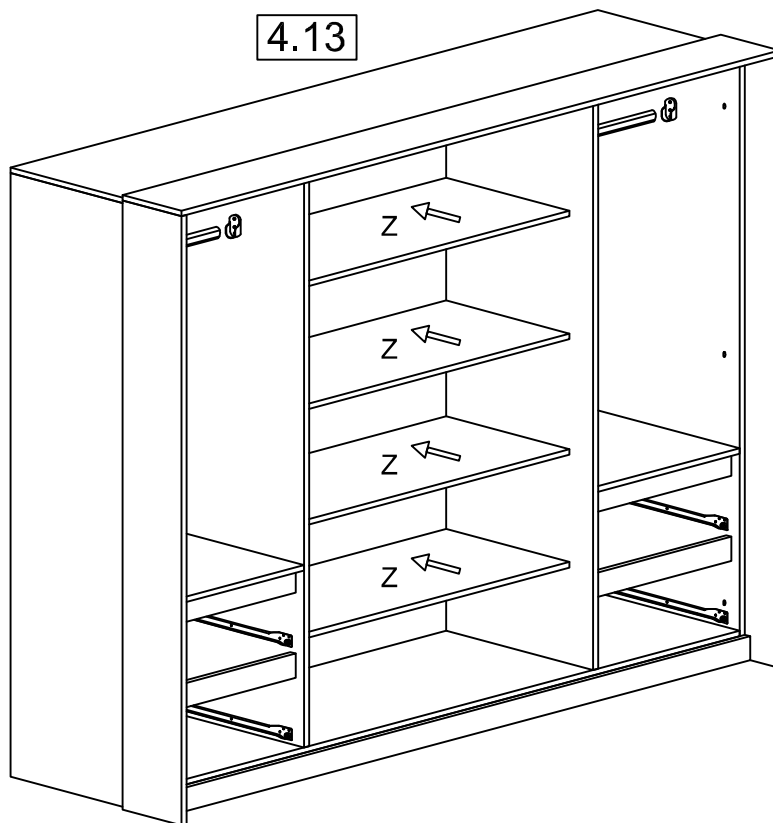
4.11

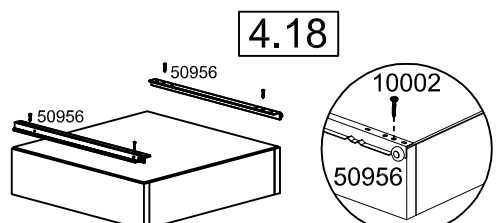
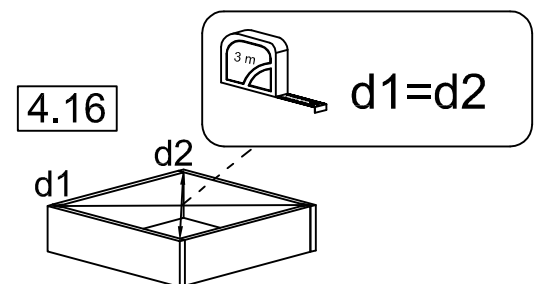
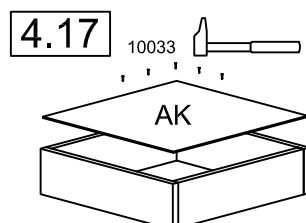
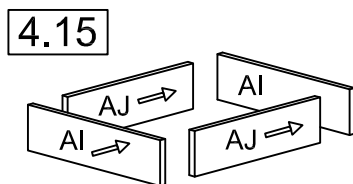
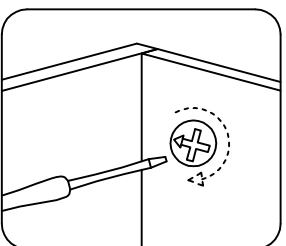
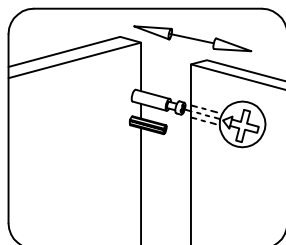
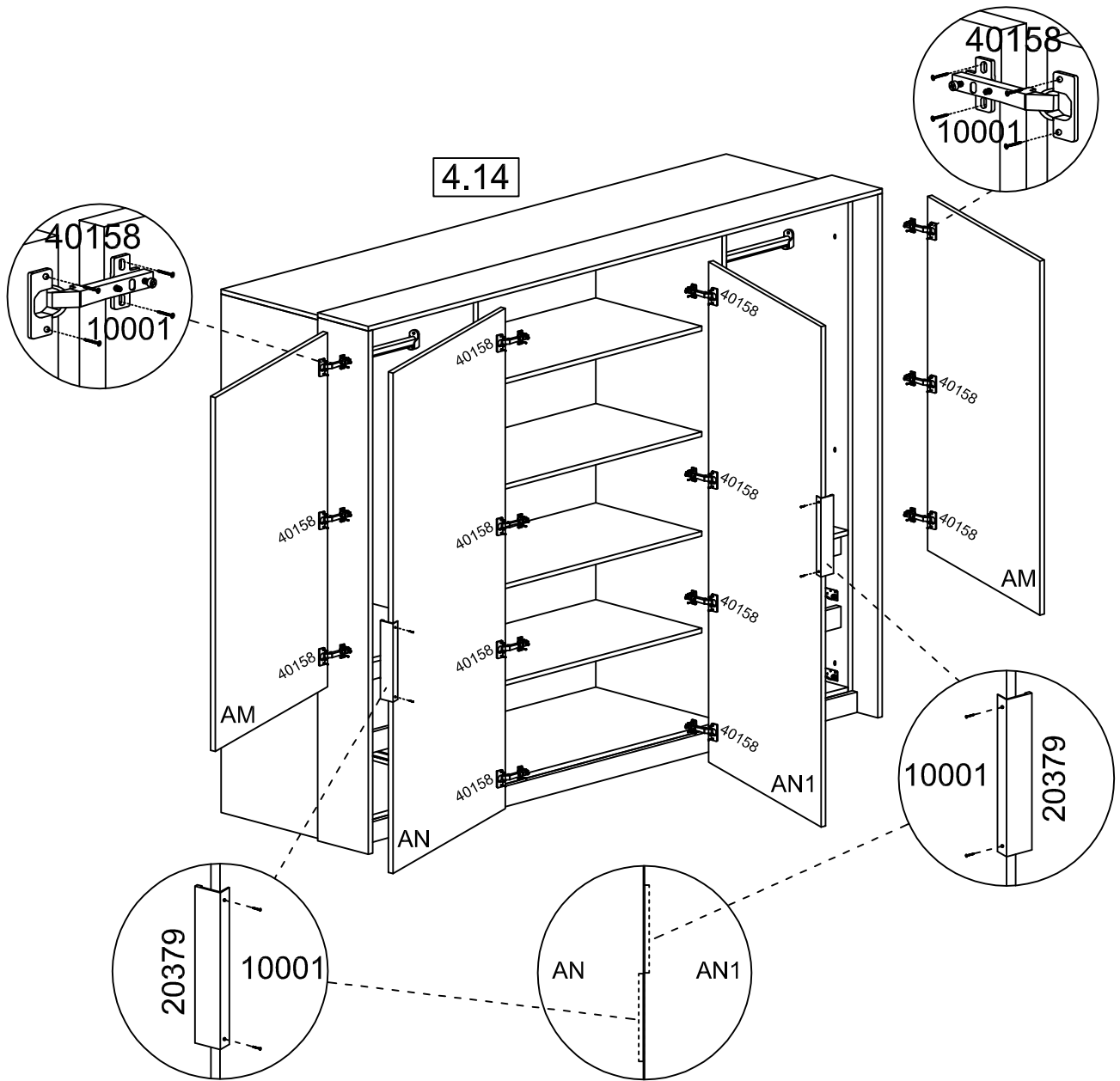


4.12

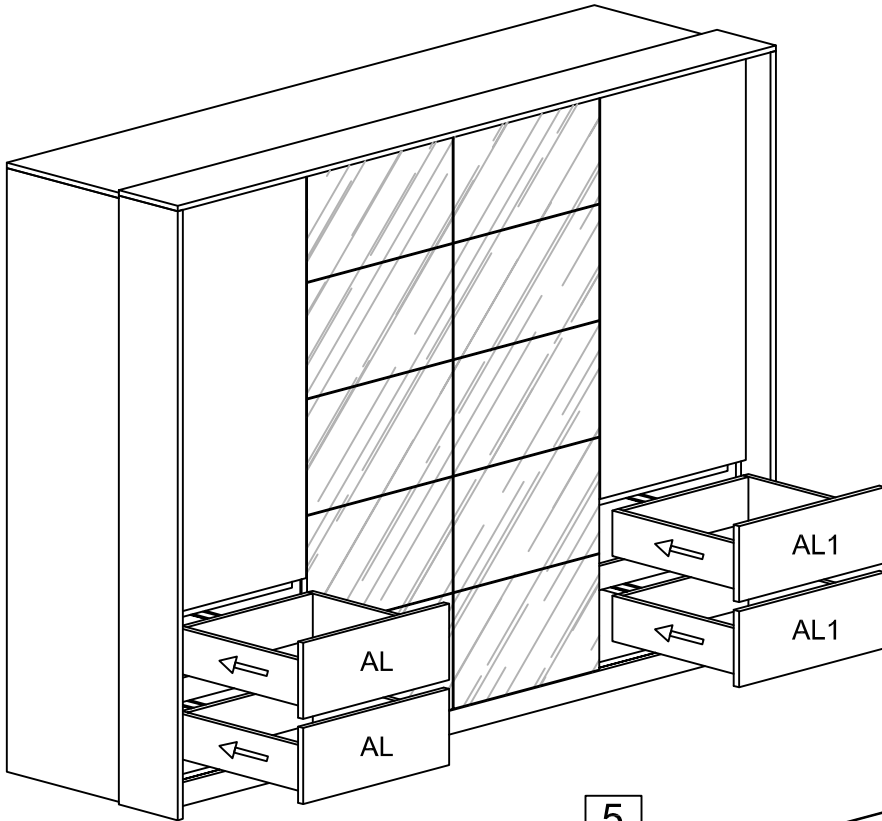
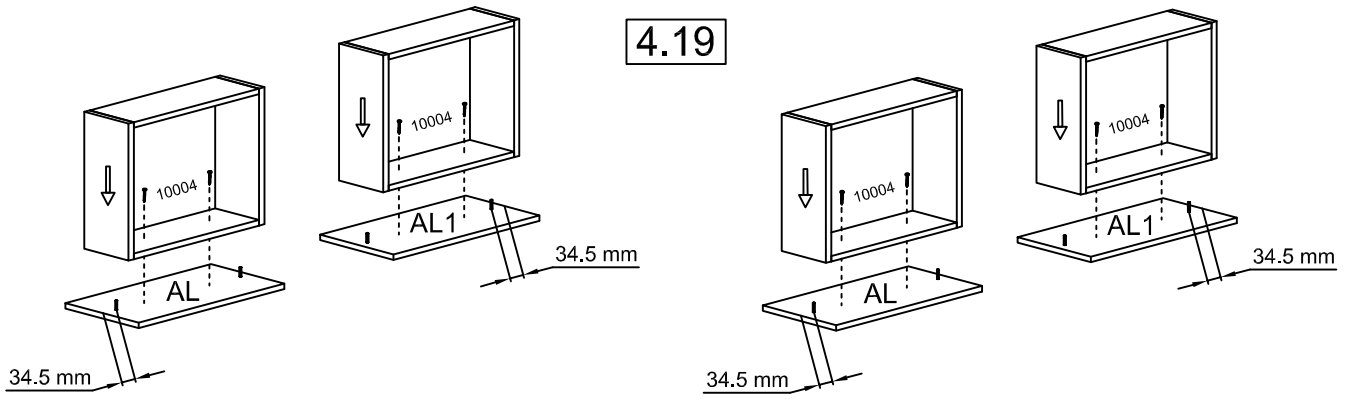


4.13

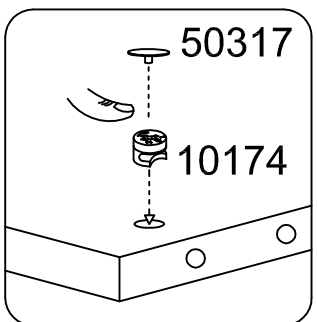
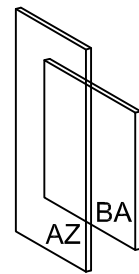
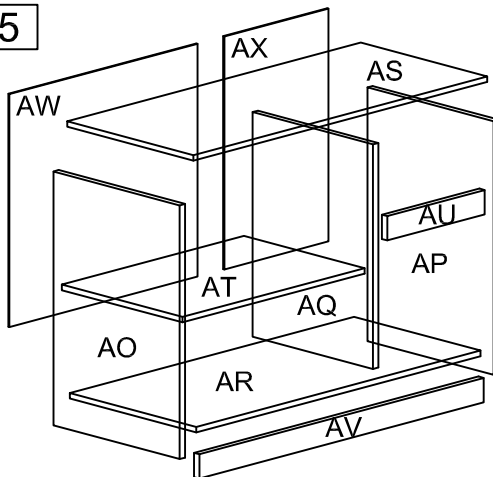
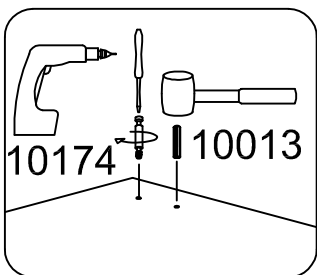
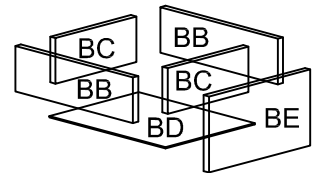




4.19



5



5.1

