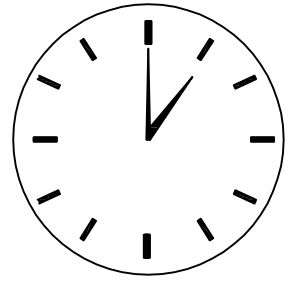
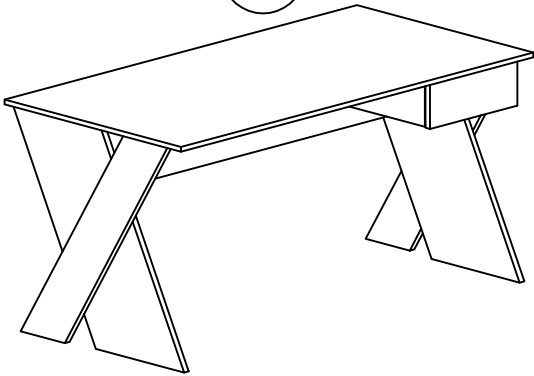


# City 3058

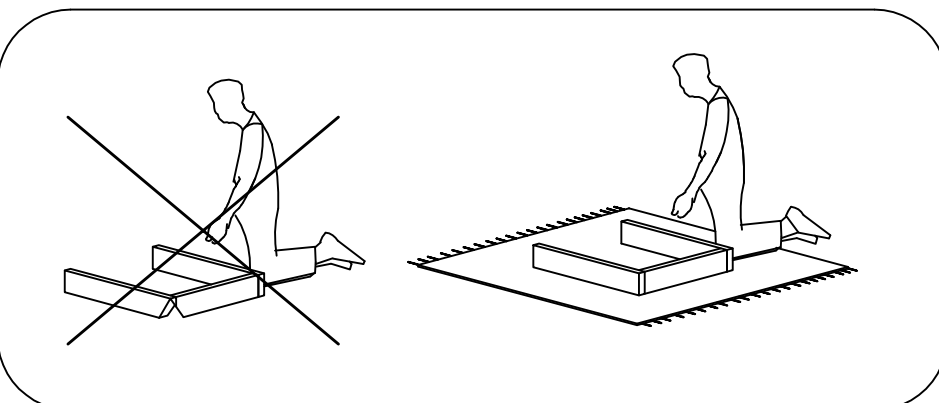
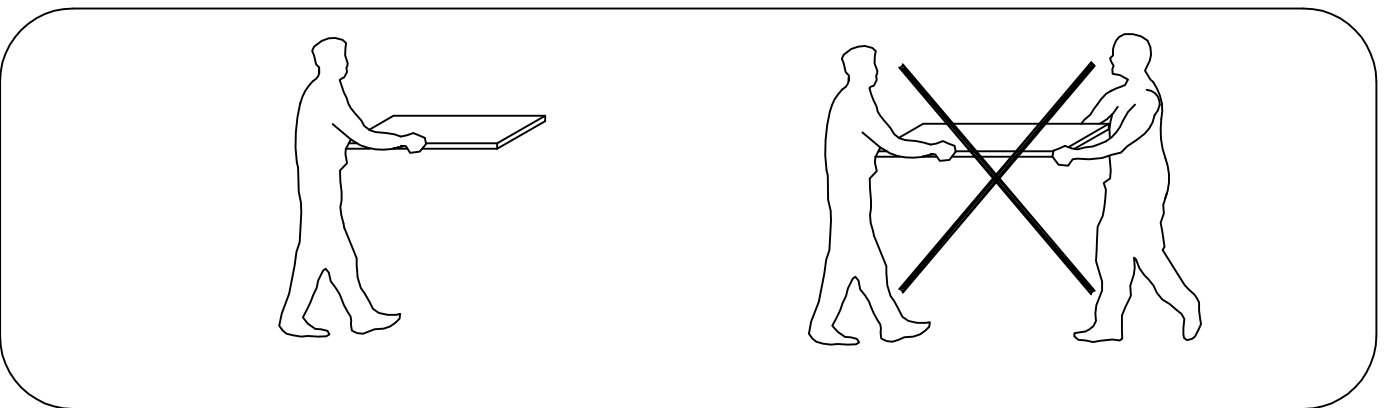
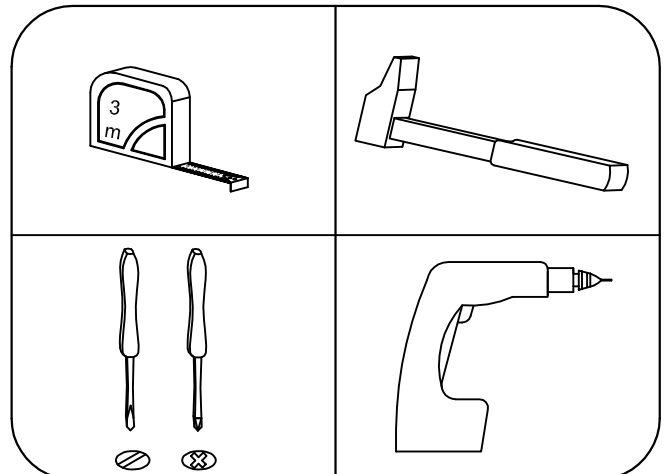
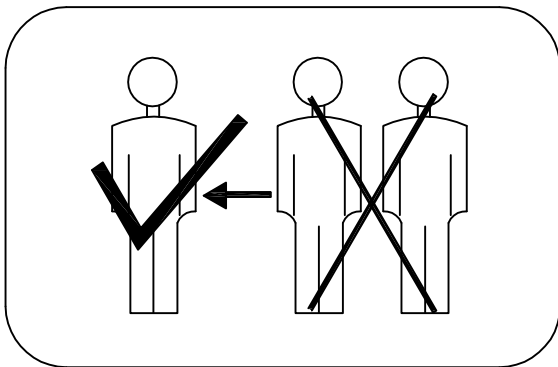
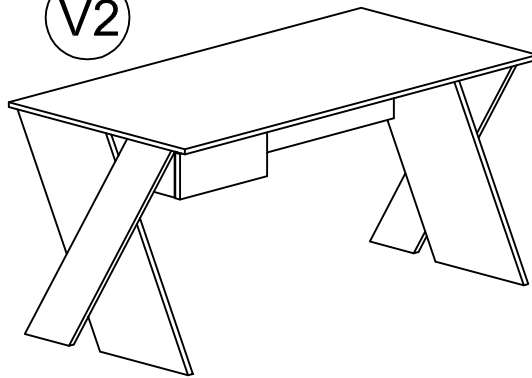


60 min.

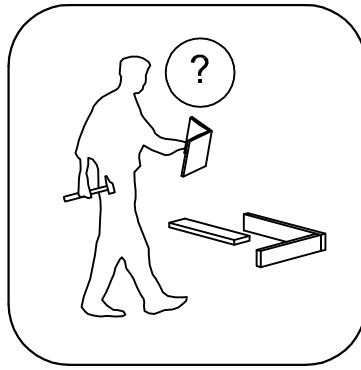
V1

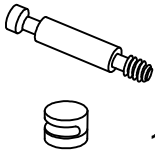

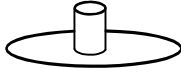


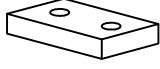
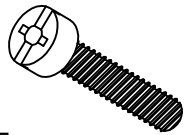
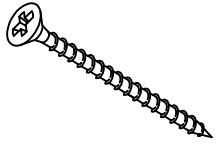
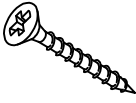

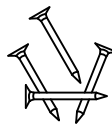



V2

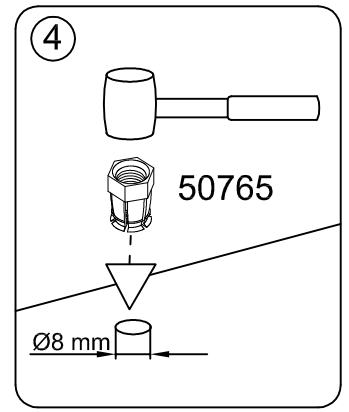
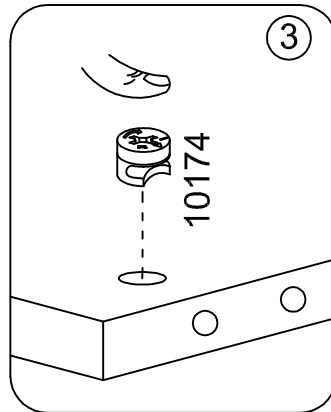
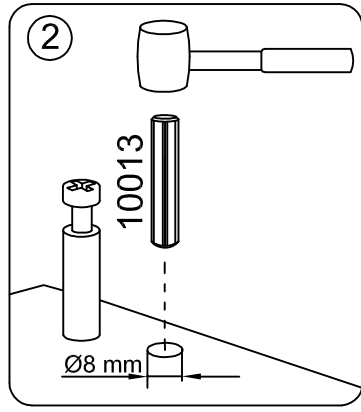
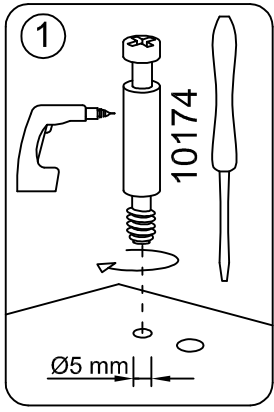


<http://www.irimbg.com/instructions/>



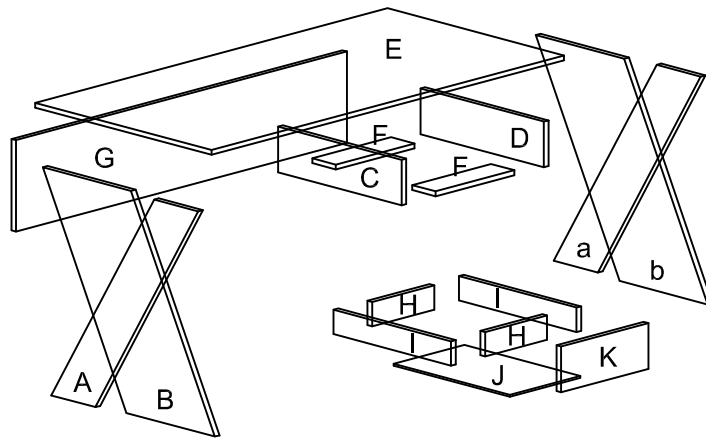
24x  10174	40x  $\Phi$ 8/30 10013	24x  50317	1x  L 400 mm 50955
4x  50765	8x  50246	4x  M 6/25 10195	2x  $\Phi$ 3,5/30 10004
20x  $\Phi$ 3,5/20 10002	4x  $\Phi$ 3,5/16 10001	 10033	

		Box number
A,a	2x 878x135	1/2
B,b	2x 896x280	2/2
C	420x150	1/2
D	420x150	1/2
E	1200x600	1/2
F	2x 268x80	1/2
G	1126x300	2/2
H	2x 211x80	1/2
I	2x 400x80	1/2
J	240x395	1/2
K	297x150	1/2

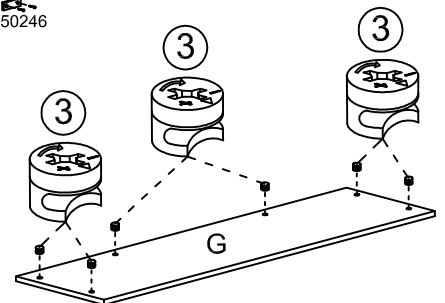
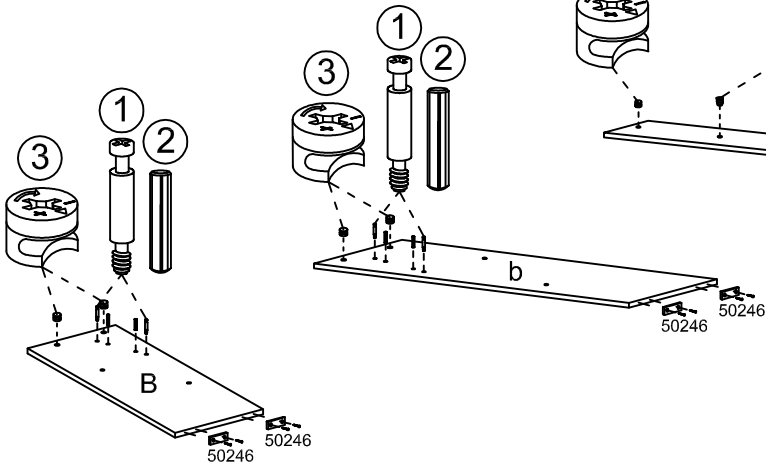
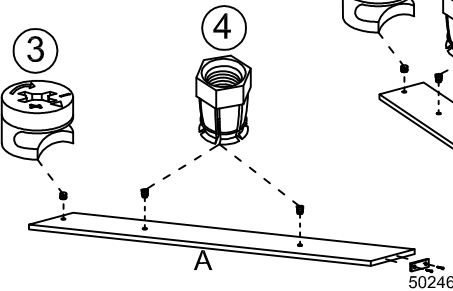
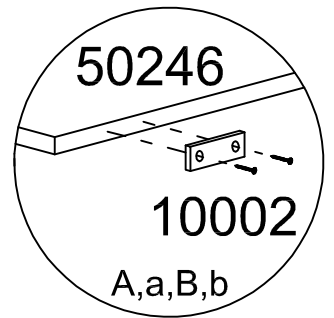
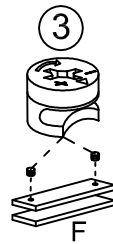
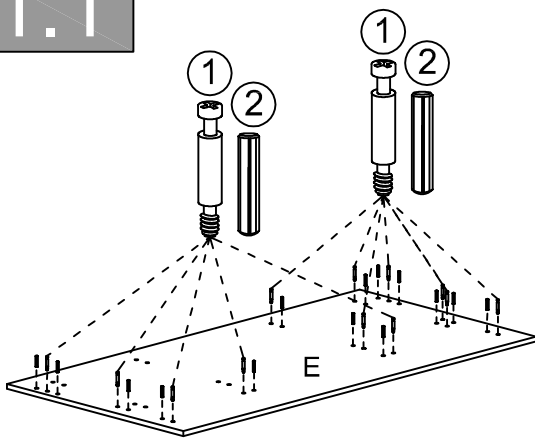


1

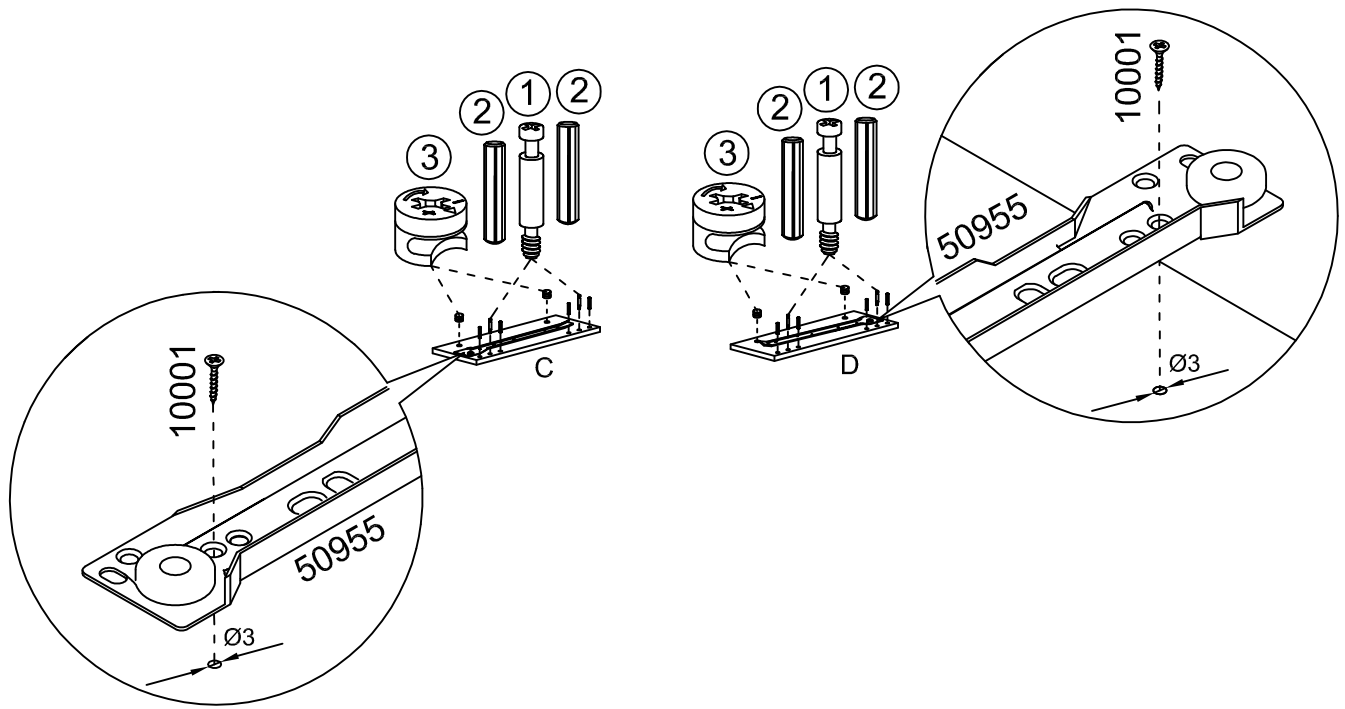
V1



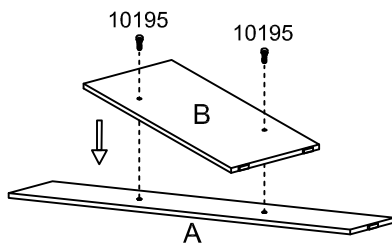
1.1



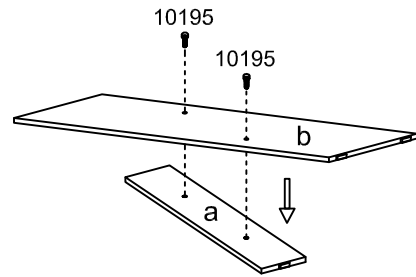
3



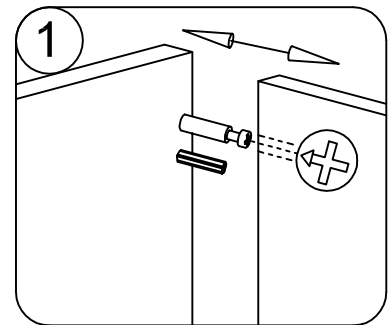
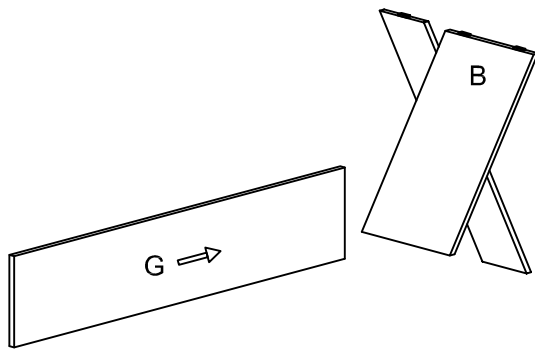
1.2



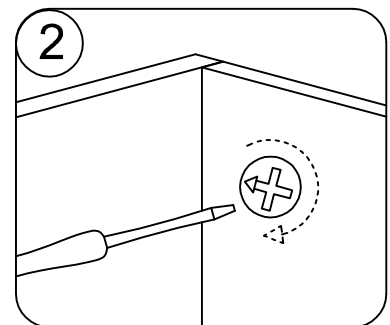
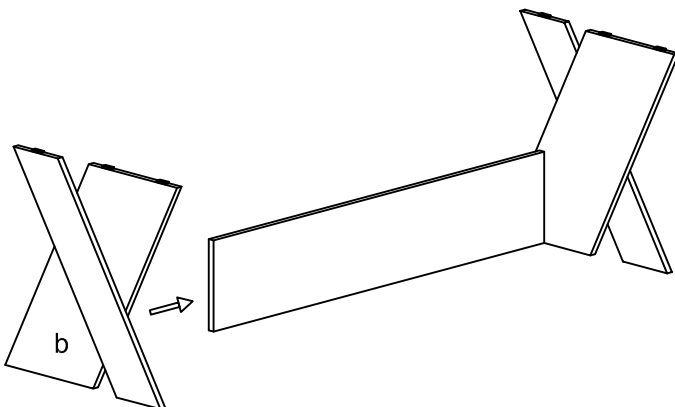
1.3



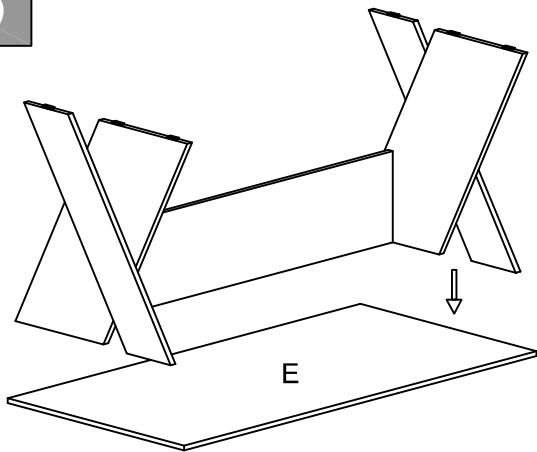
1.4



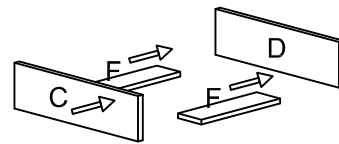
1.5



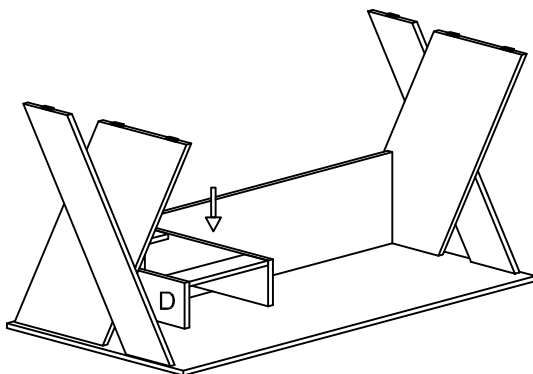
1.6



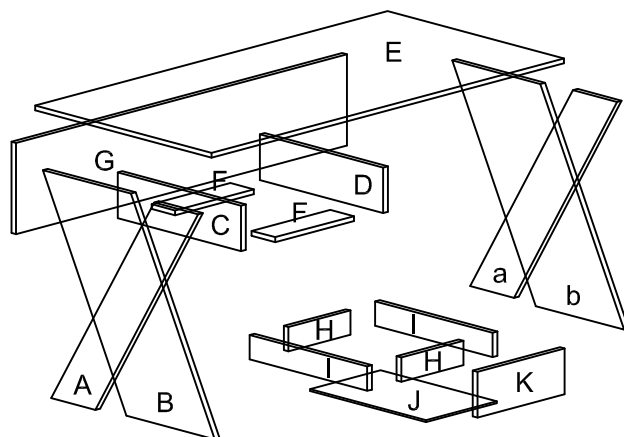
1.7



1.8

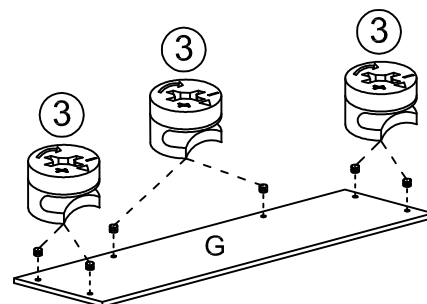
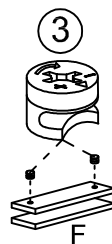
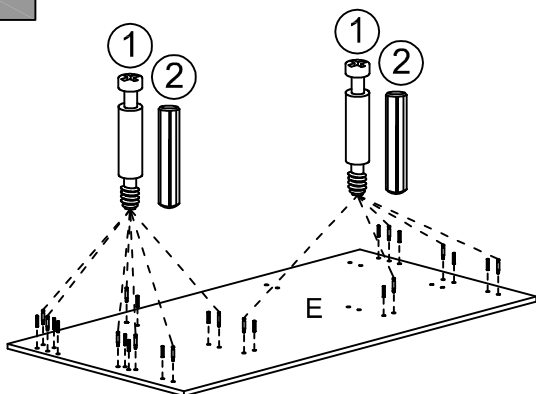


1



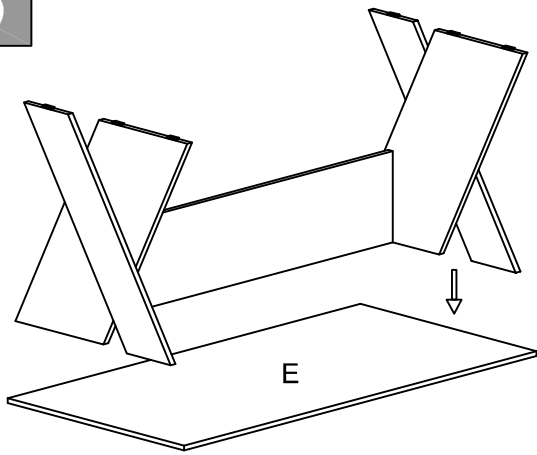
V2

1.1

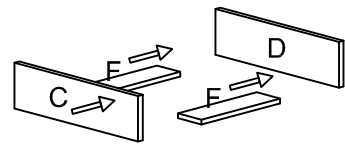




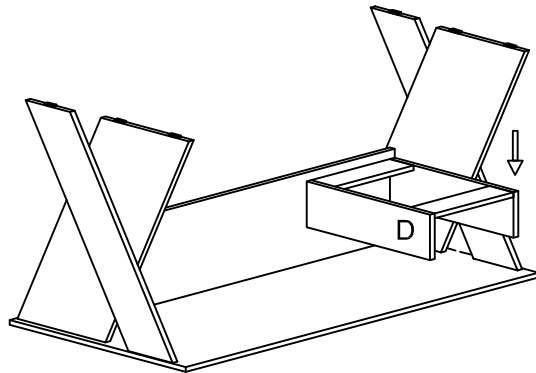
1.6



1.7



1.8



1.9

