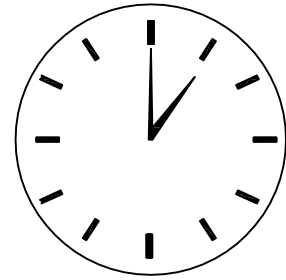
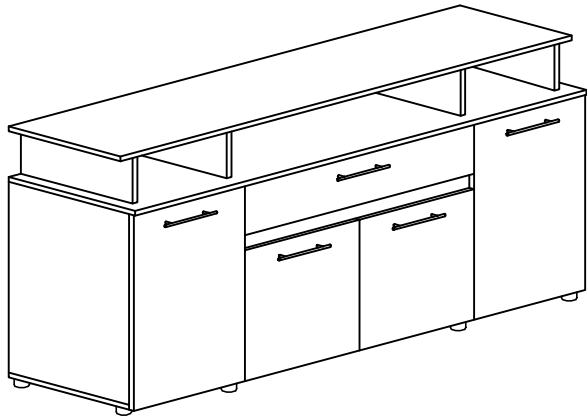
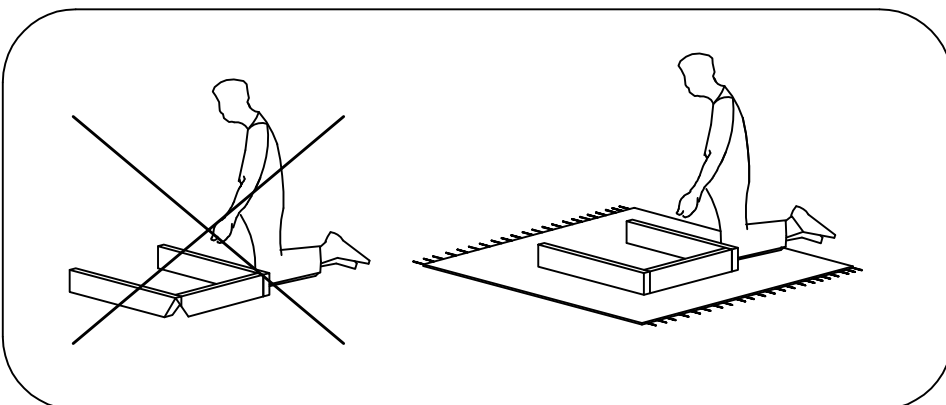
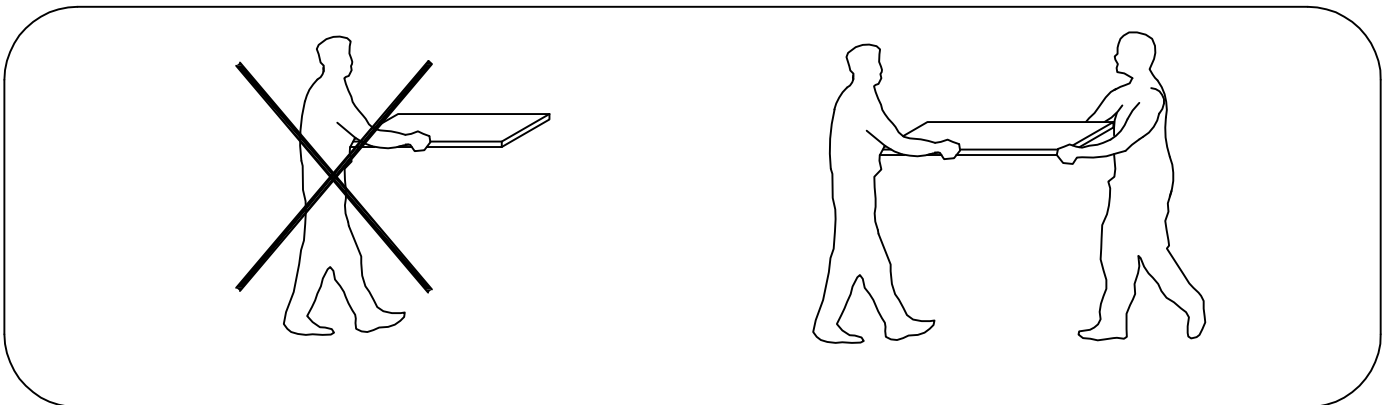
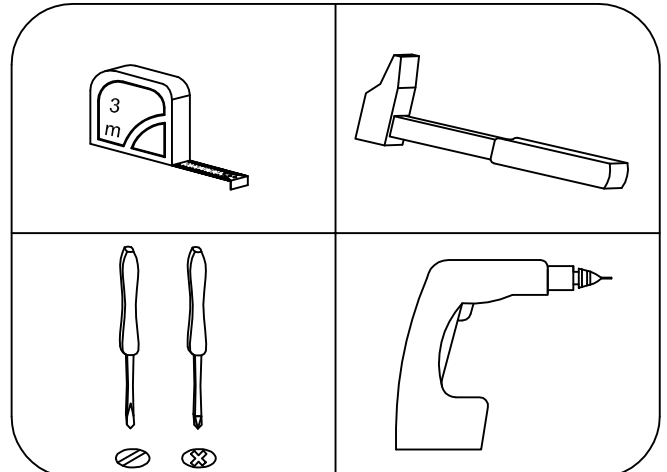
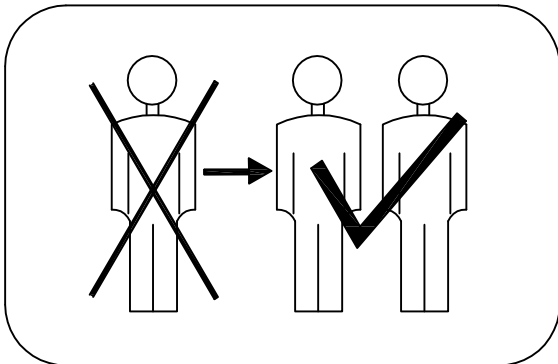


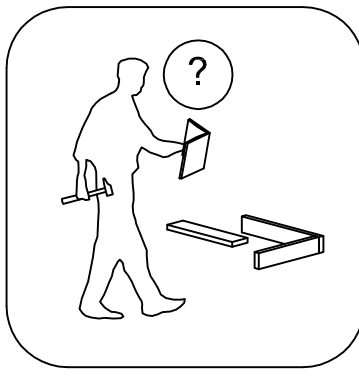
City 3056

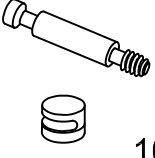

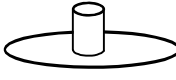
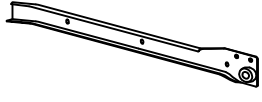
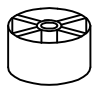
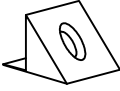

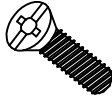



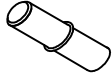
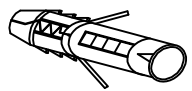
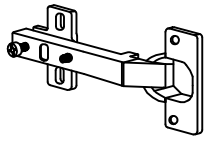
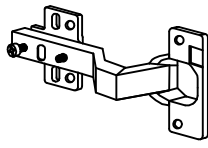
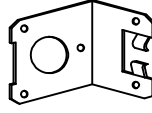

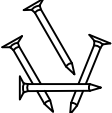
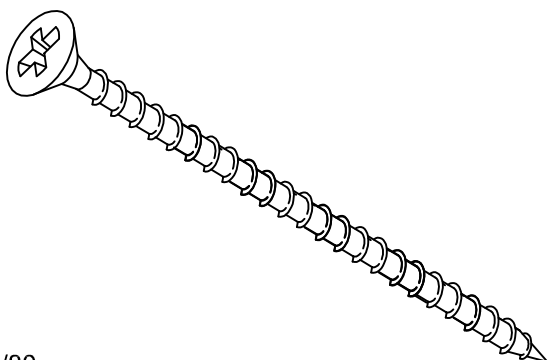


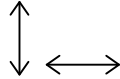
120 min.

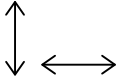


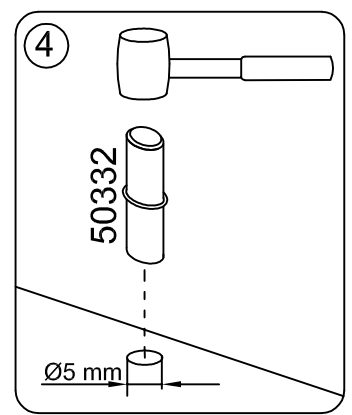
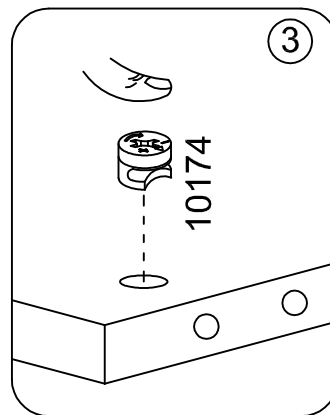
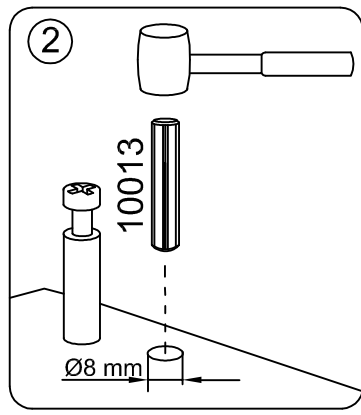
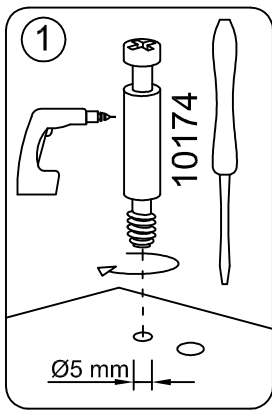
<http://www.irimbg.com/instructions/>



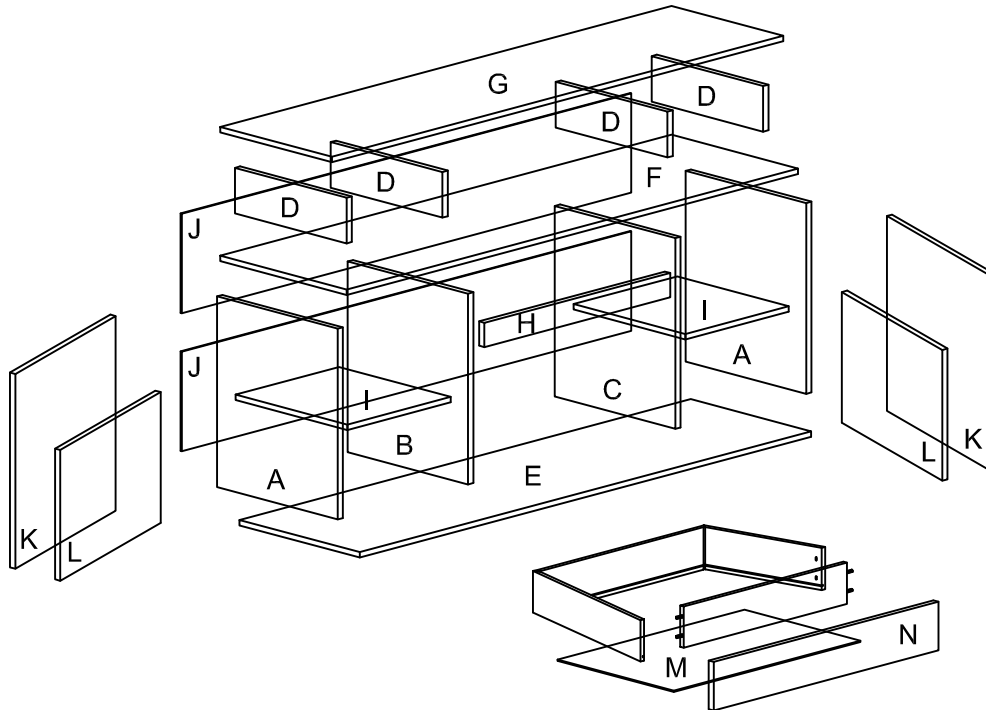
34x  10174	36x  Φ 8/30 10013	34x  50317	1x  L 400 mm 50955
8x  50596	4x  50505	2x  M 4x32 10262	8x  M 4x18 10186
10x  Φ 3,5/25 10003	40x  Φ 3,5/16 10001	8x  Φ 3/16 10022	8x  50332
2x  10060	4x  40158	4x  40160	2x  51066
5x  20111	 10033	2x  Φ 6/80 10021	

		Box number
A	2x 627x410	2/3
B	627x410	2/3
C	627x410	2/3
D	4x 150x380	2/3
E	1536x410	1/3
F	1536x430	1/3
G	1536x380	1/3

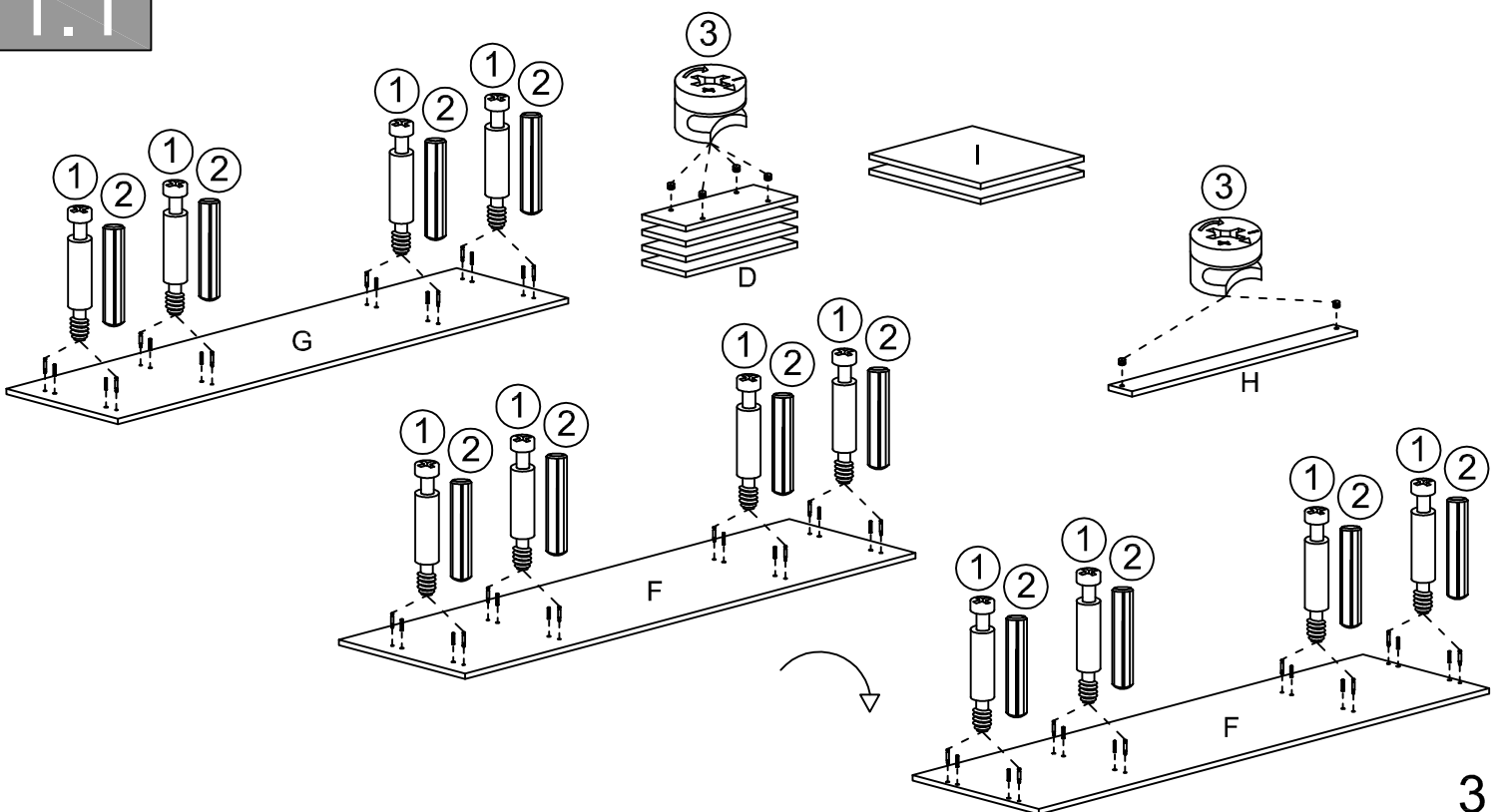
		Box number
H	768x80	1/3
I	2x 352x380	3/3
J	2x 1530x327	1/3
K	2x 640x381	2/3
L	2x 430x381	3/3
M	728x385	1/3
N	160x765	1/3

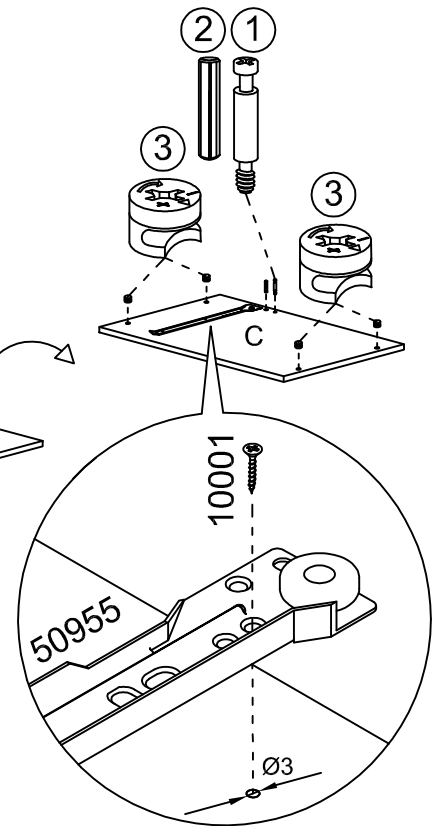
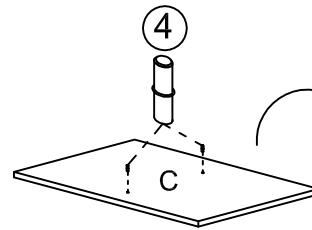
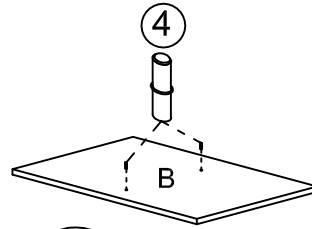
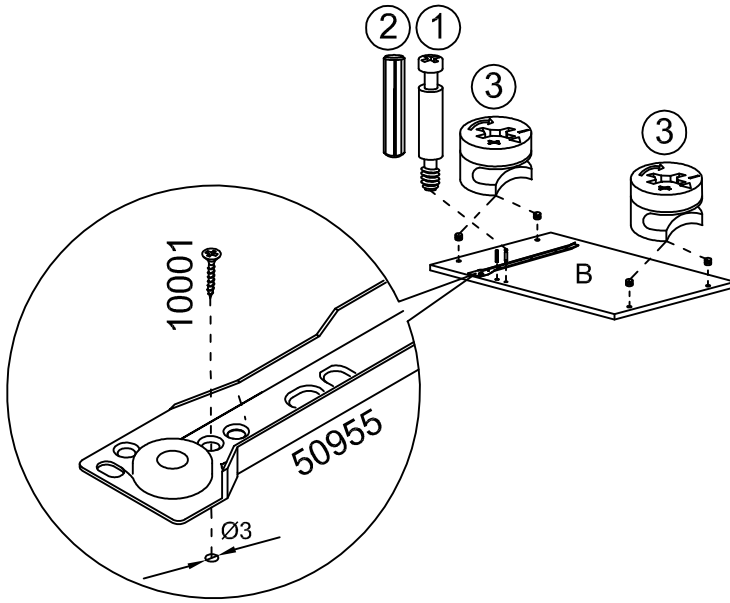
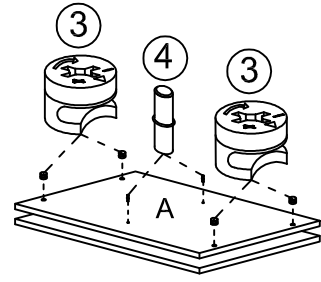
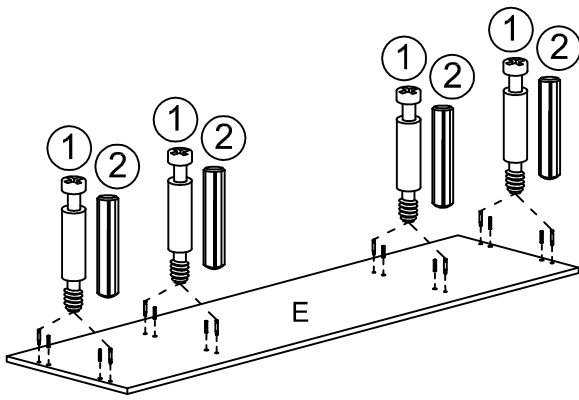


1

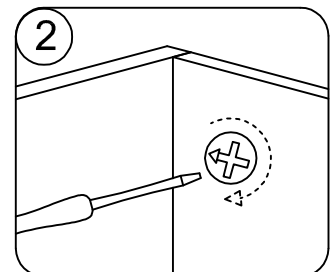
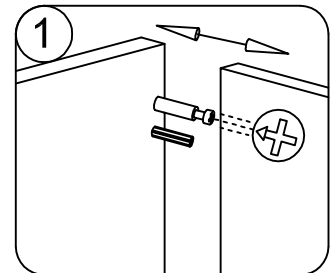
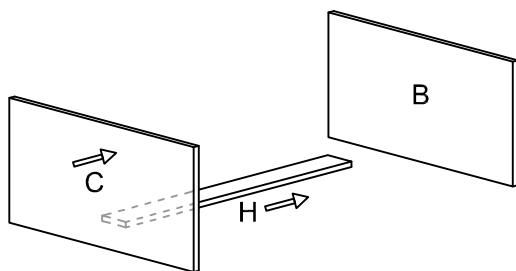


1.1

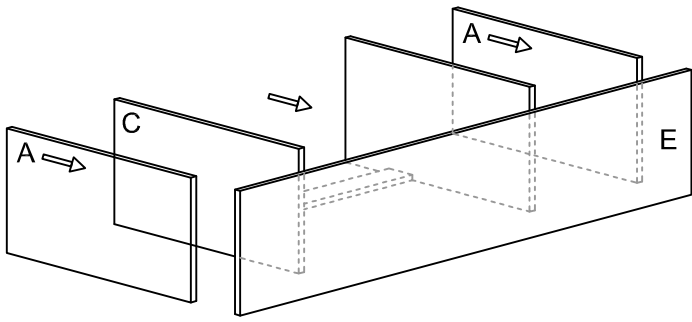




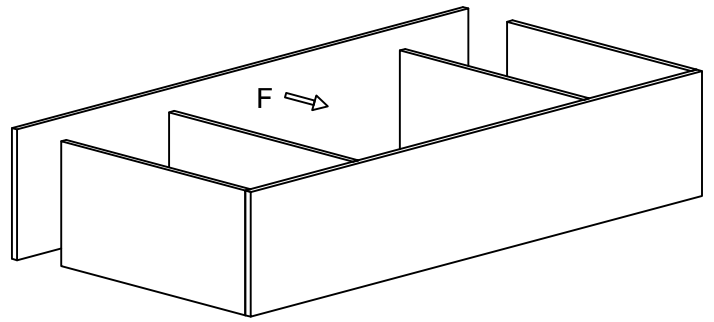
1.2



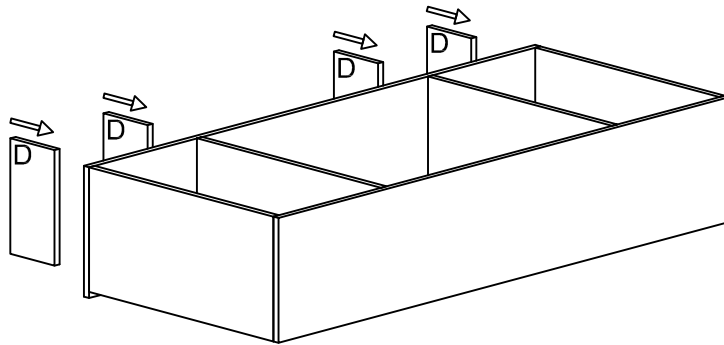
1.3



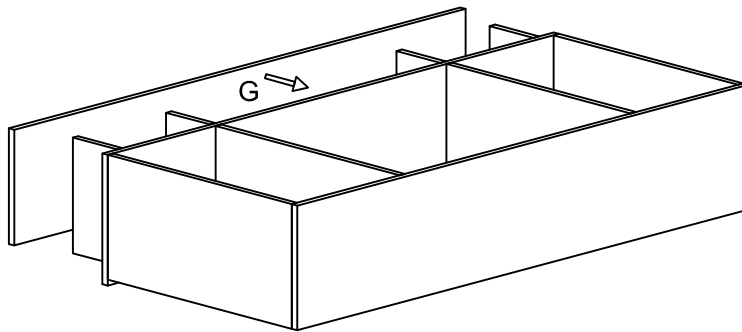
1.4



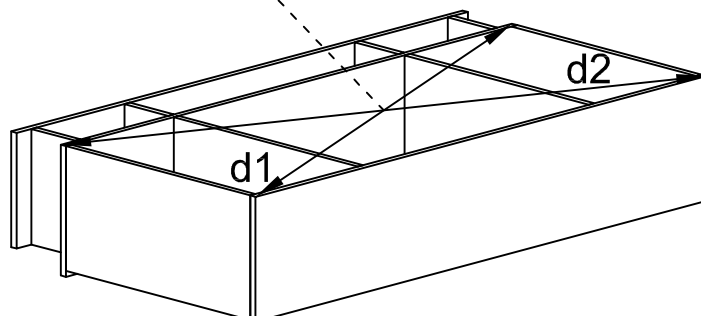
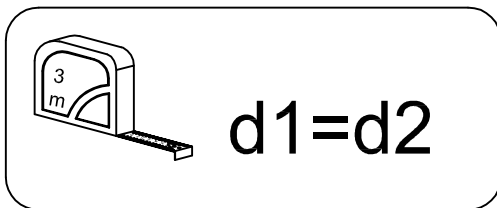
1.5



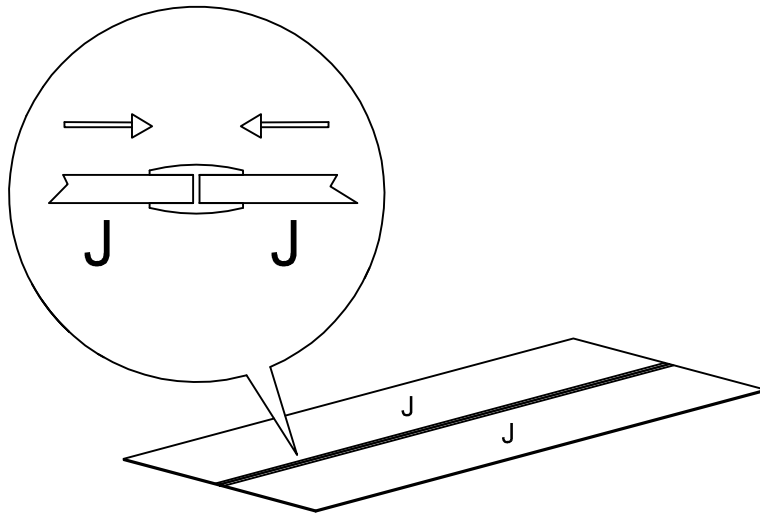
1.6



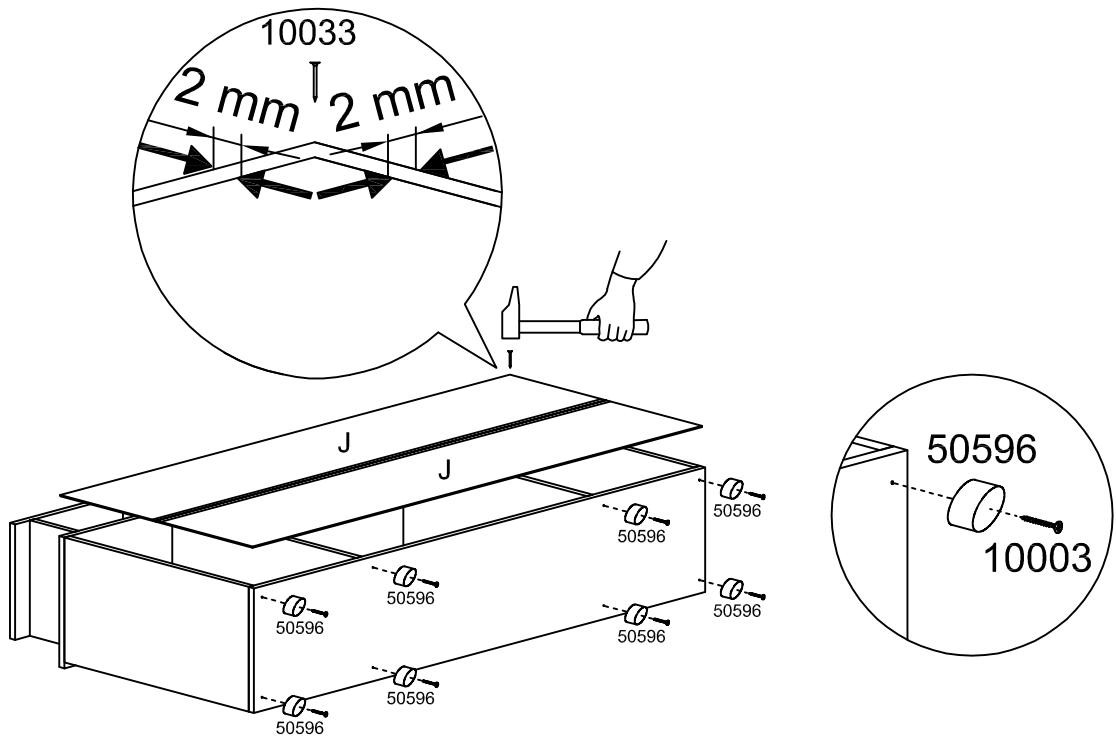
1.7



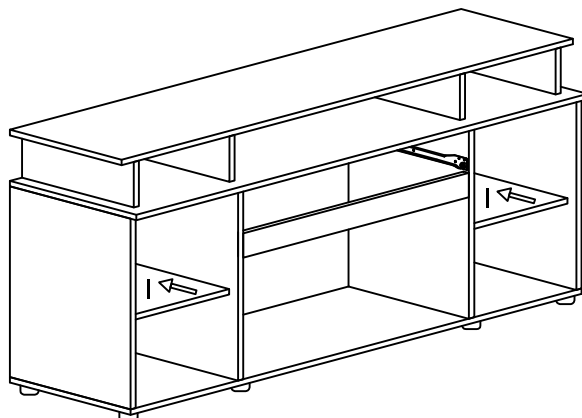
1.8



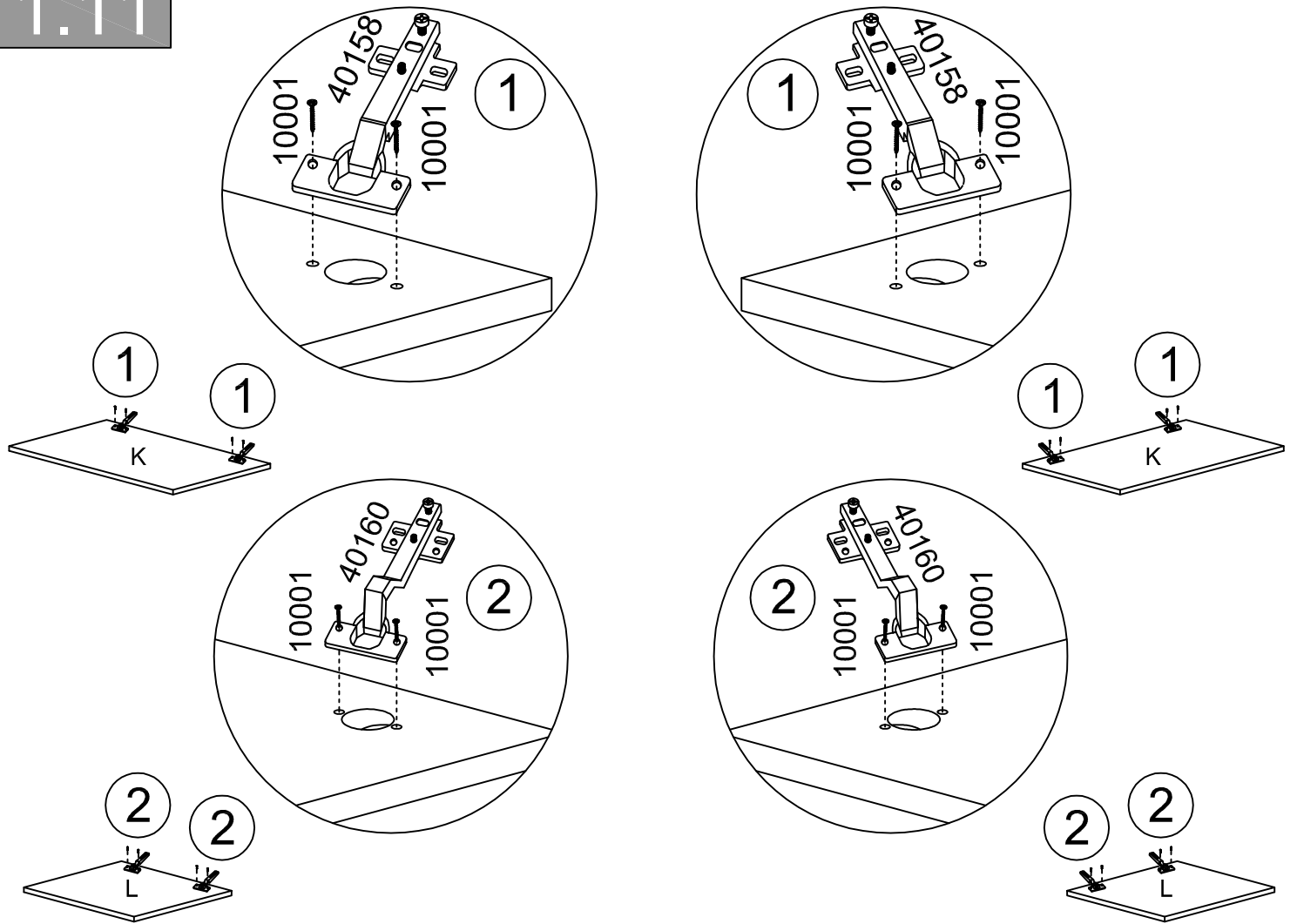
1.9



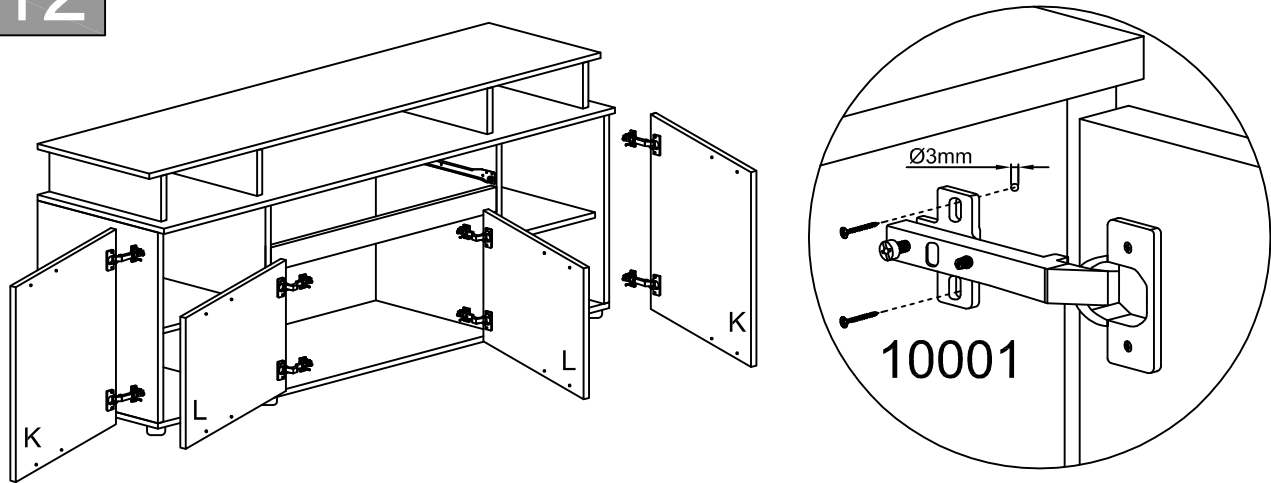
1.10



1.11



1.12



1.13

