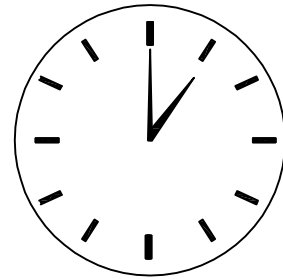
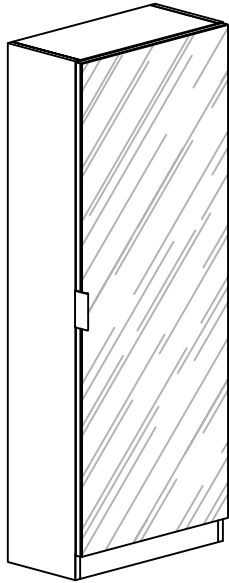
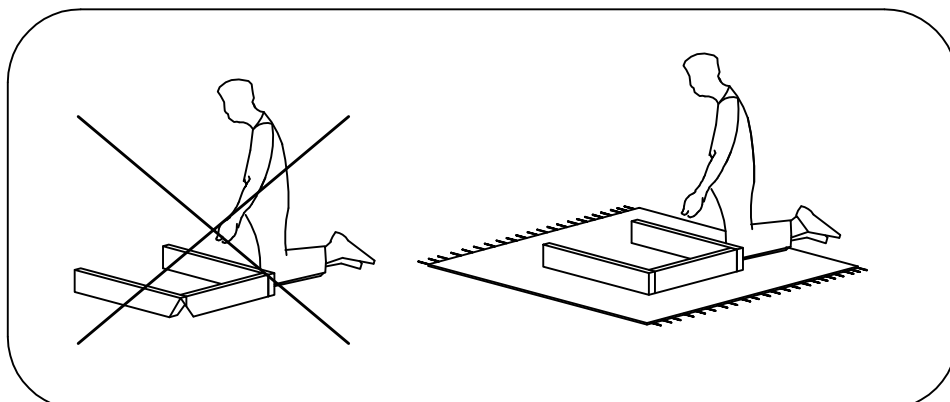
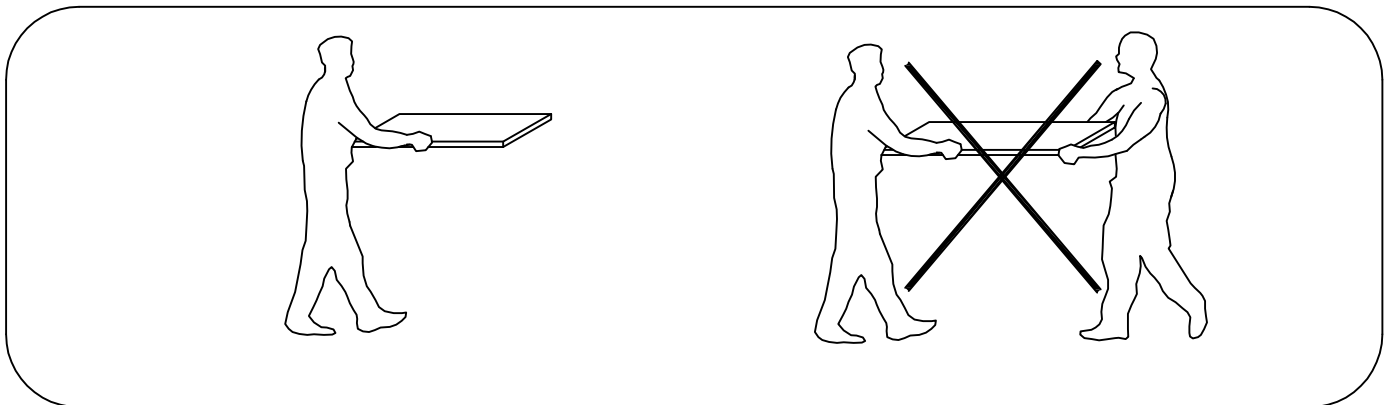
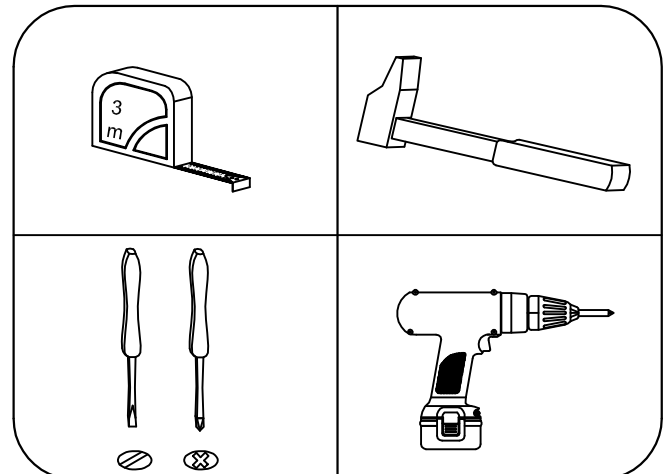
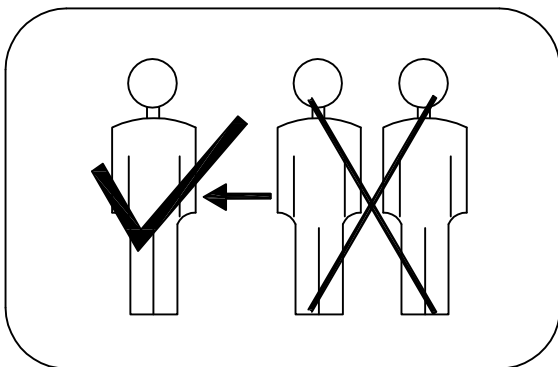


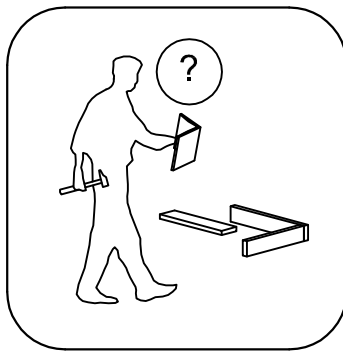
# Caeser

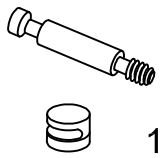
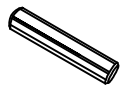
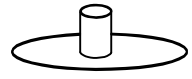
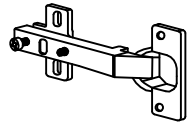
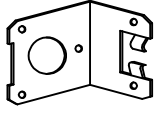
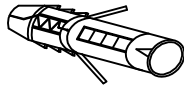
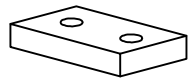

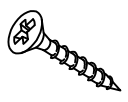
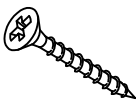
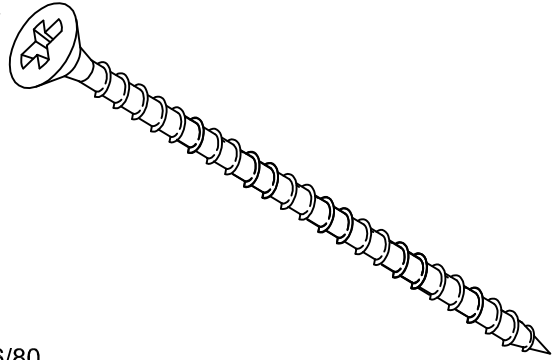
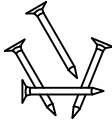


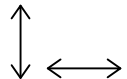
60 min.

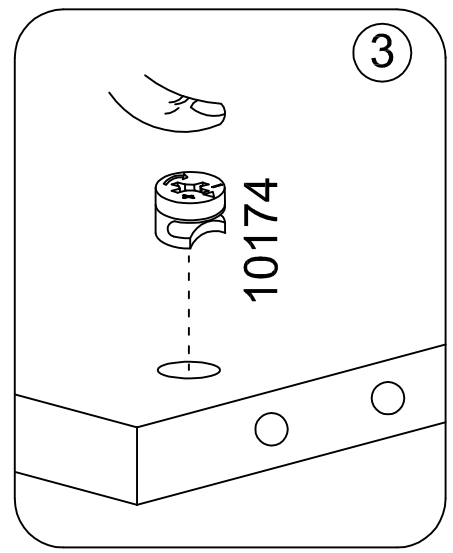
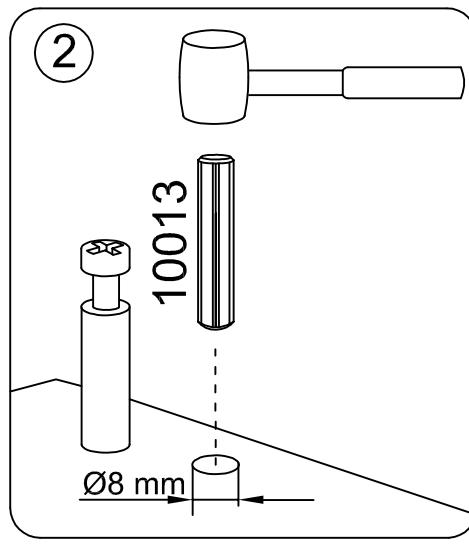
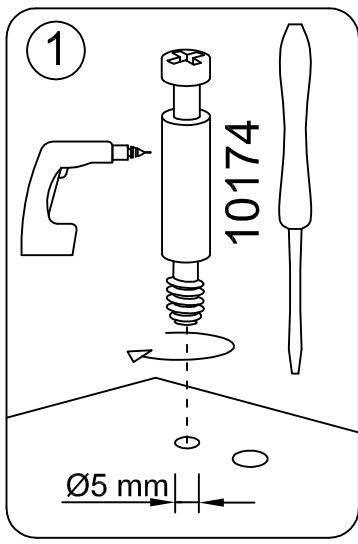


<http://www.irimbg.com/instructions/>

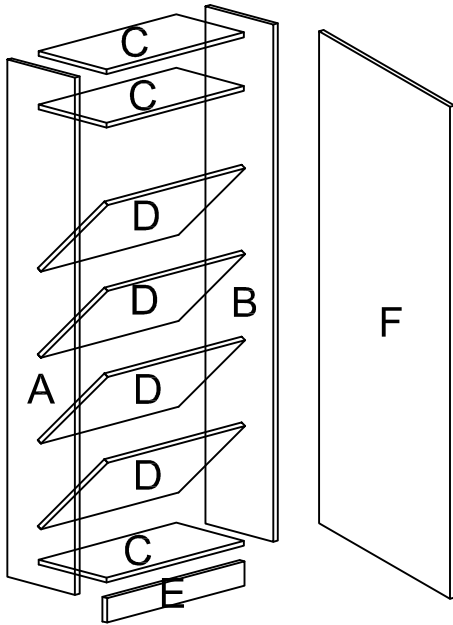


<p>28x</p>  <p>10174</p>	<p>32x</p>  <p>Φ 8/30 10013</p>	<p>28x</p>  <p>50317</p>	<p>3x</p>  <p>40158</p>
<p>2x</p>  <p>50108</p>	<p>2x</p>  <p>10060</p>	<p>4x</p>  <p>50246</p>	<p>1x</p>  <p>20188</p>
<p>18x</p>  <p>Φ 3,5/16 10001</p>	<p>8x</p>  <p>Φ 3,5/20 10002</p>	<p>2x</p>  <p>10021</p>	
 <p>10033</p>		<p>Φ 6/80</p>	

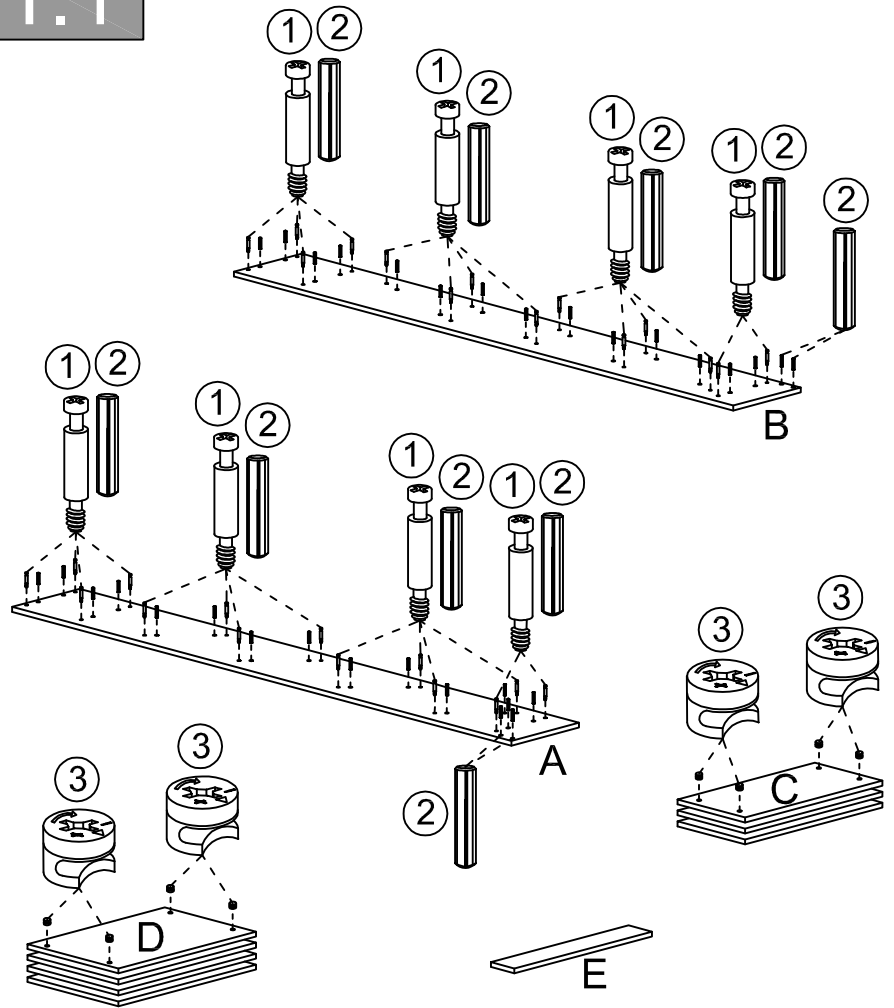
		Box number
A	1700x230	1/3
B	1700x230	1/3
C	3x 468x230	2/3
D	4x 468x310	2/3
E	468x80	2/3
F	1617x497	3/3
G	1615x495	3/3



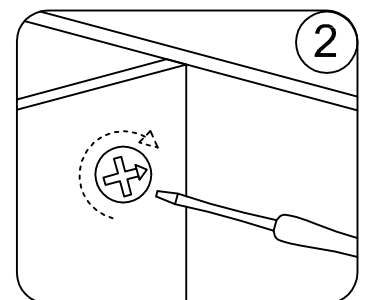
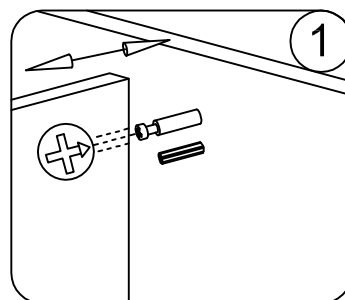
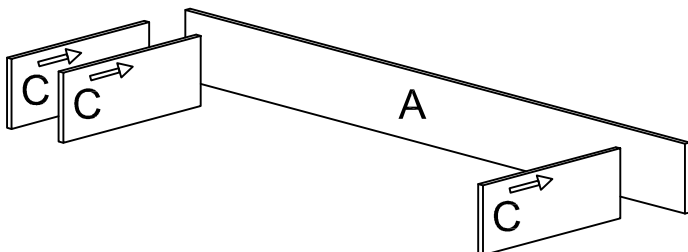
1



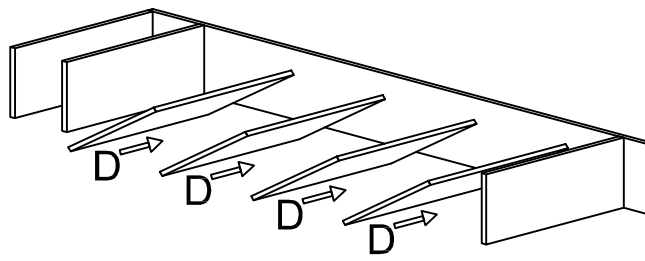
1.1



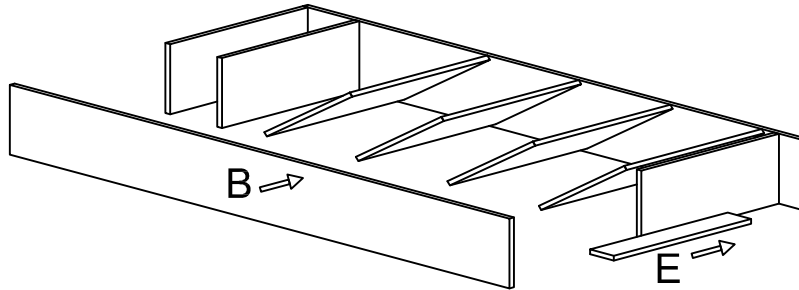
1.2



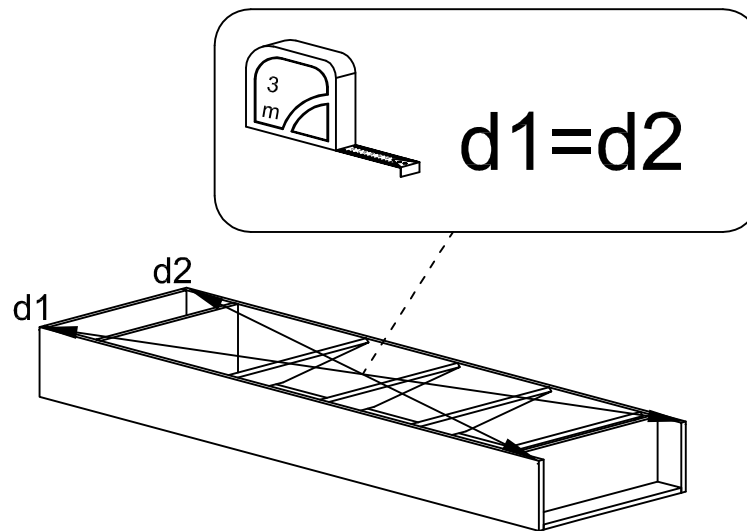
1.3



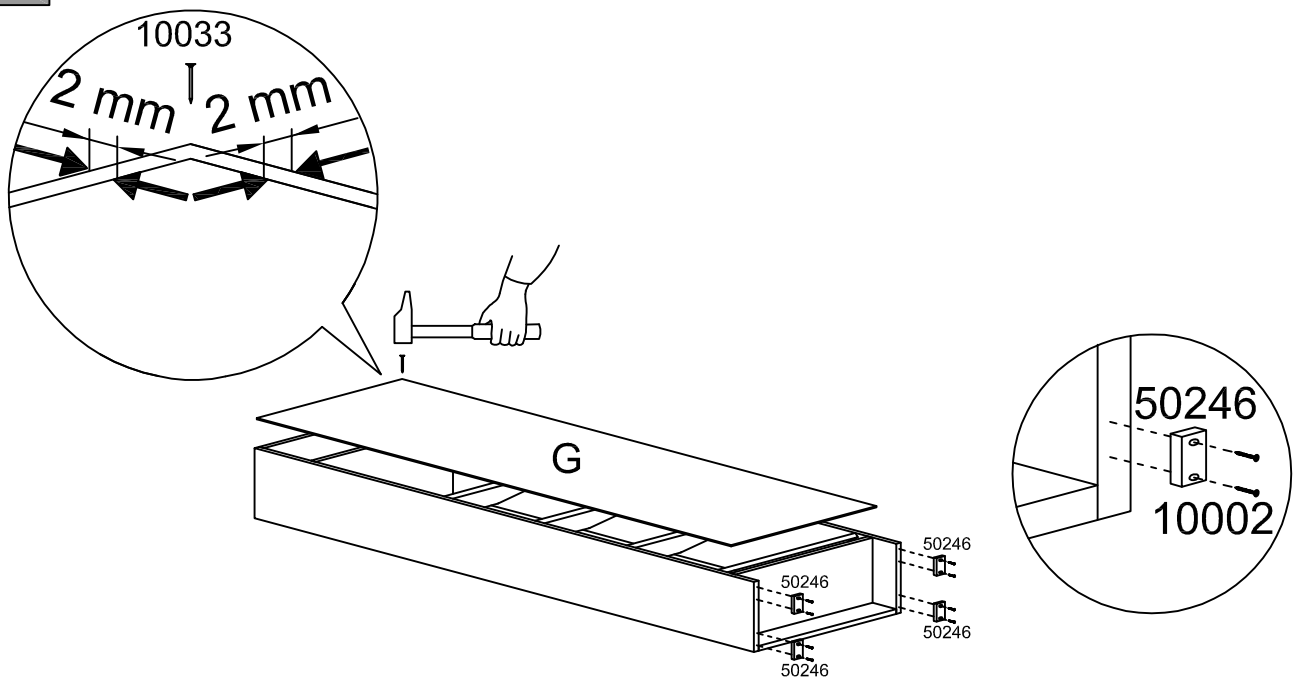
1.4



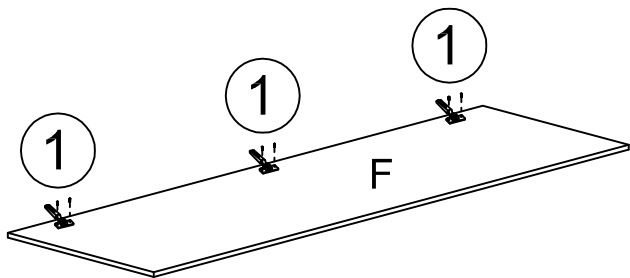
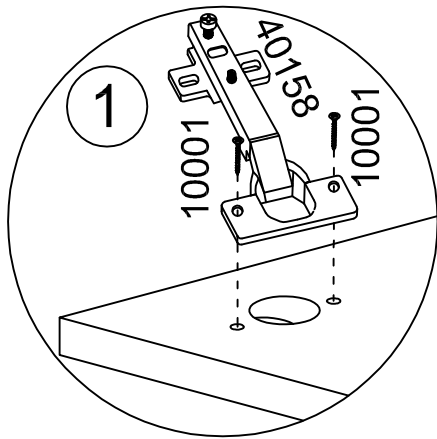
1.5



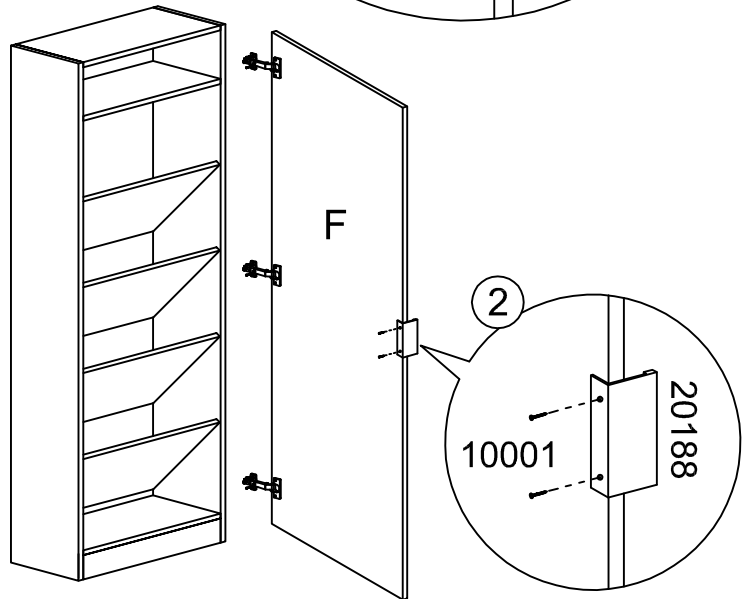
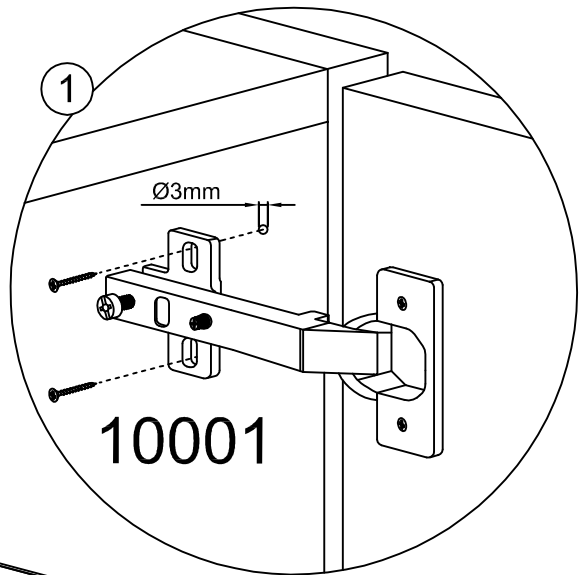
1.6



1.7



1.8



1.9

