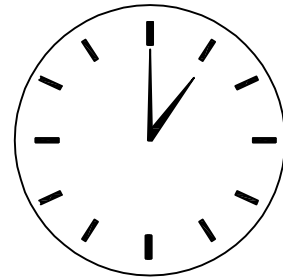
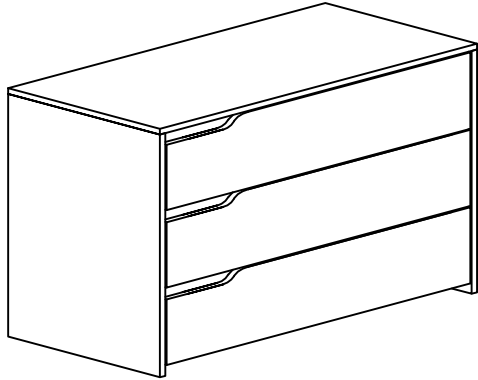
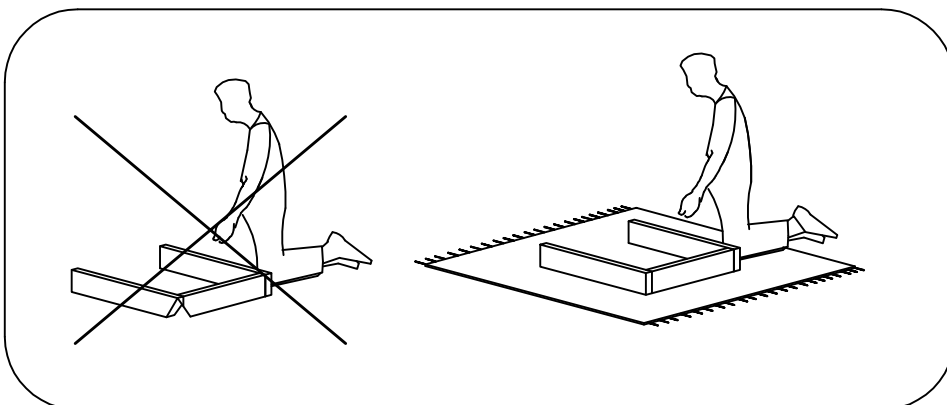
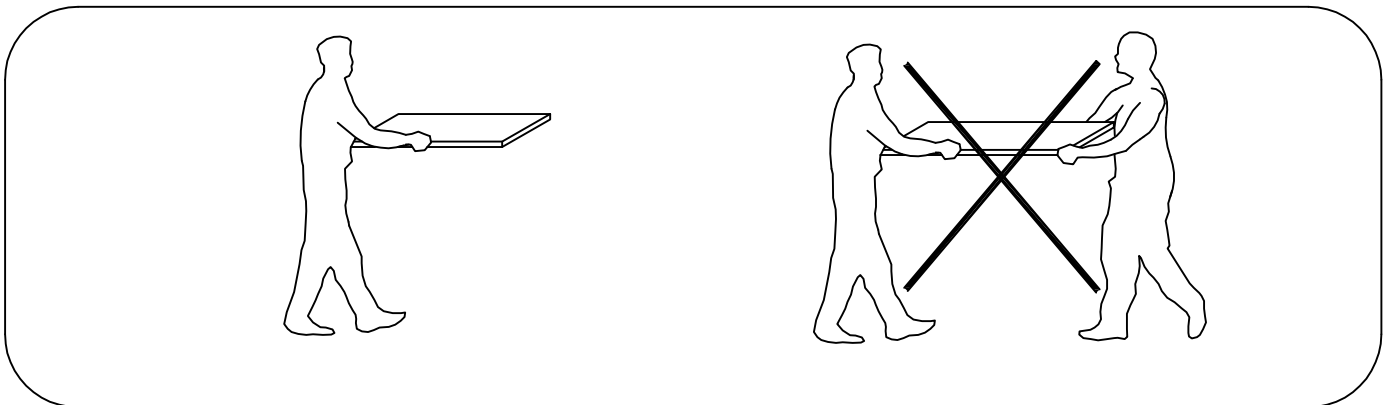
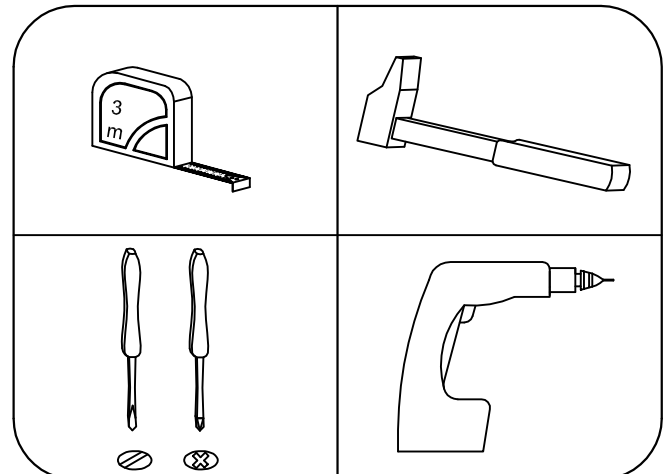
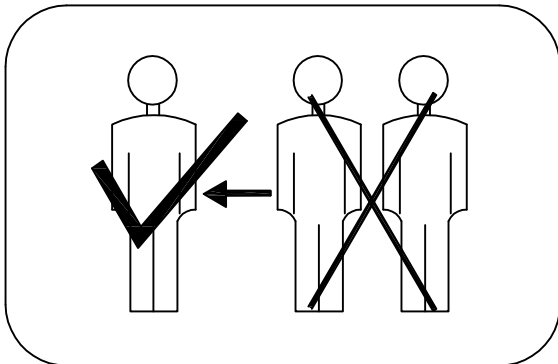


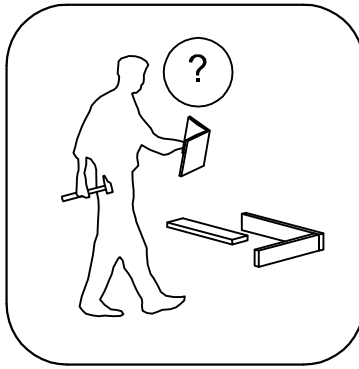
Vessel

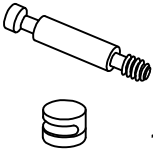

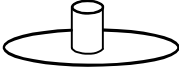

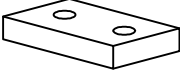

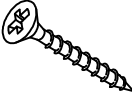
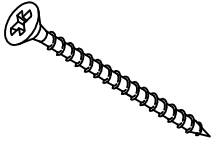
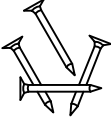
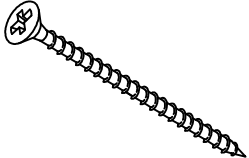


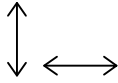
90 min.

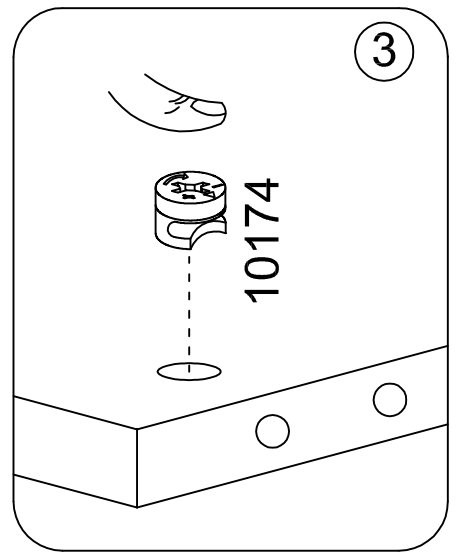
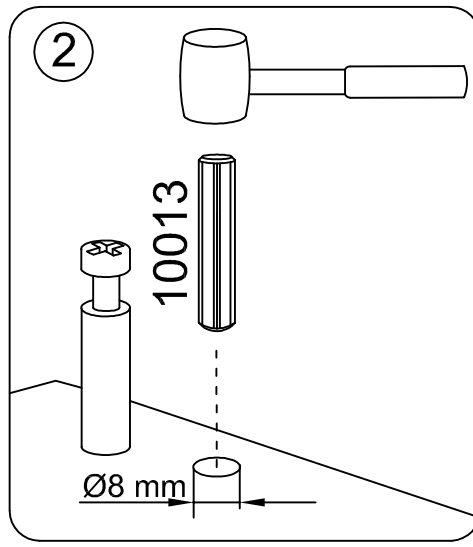
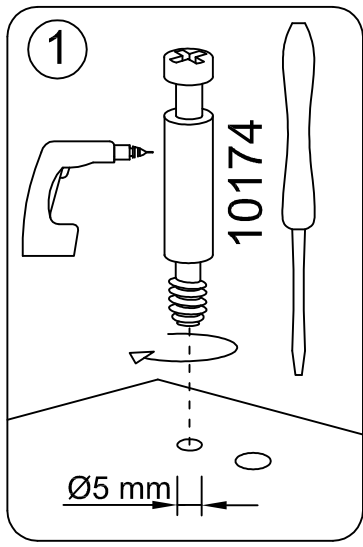


<http://www.irimbg.com/instructions/>

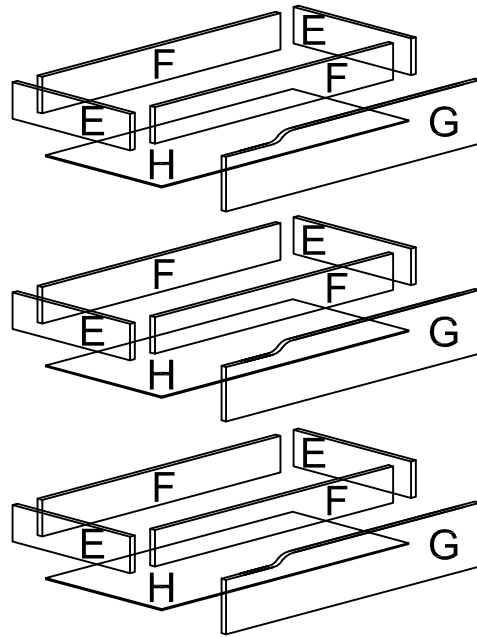
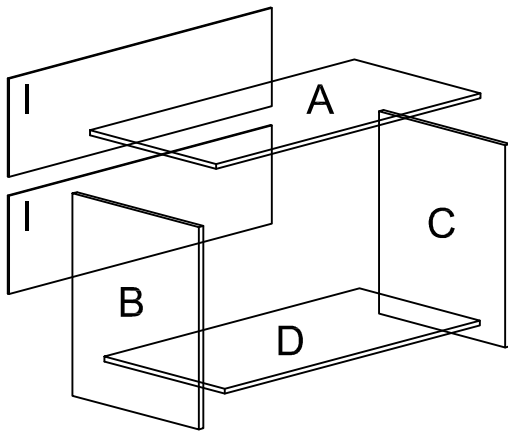


8x  10174	14x  Φ 8/30 10013	8x  50317	3x  L 400 mm 50955
4x  50246	12x  Φ 3,5/16 10001	20x  Φ 3,5/20 10002	6x  Φ 3,5/30 10004
		 10033	24x  Φ 3,5/35 10005

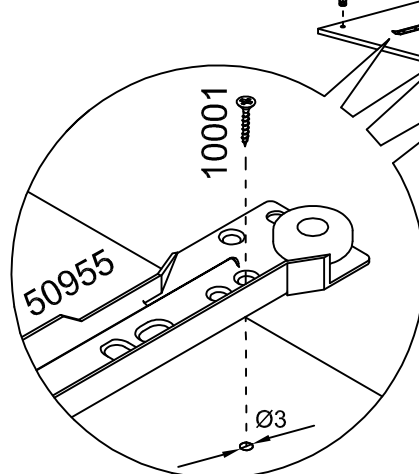
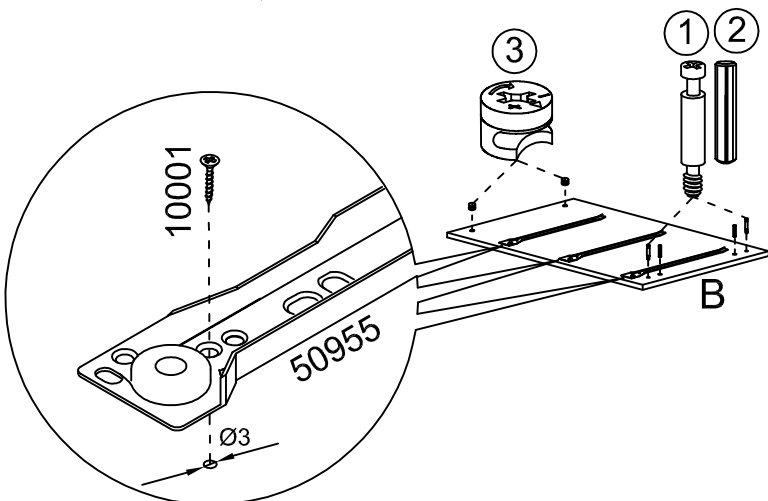
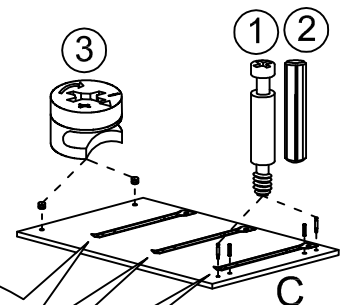
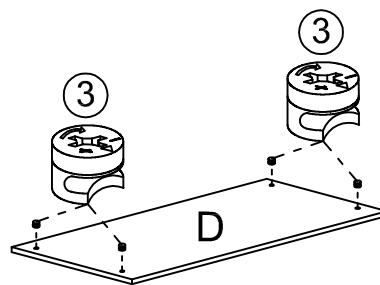
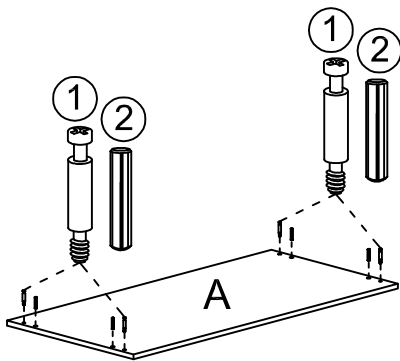
		Box number
A	900x430	1/2
B	665x430	2/2
C	665x430	2/2
D	868x410	1/2
E	6x 400x120	2/2
F	6x 811x120	1/2
G	3x 862x209	1/2
H	3x 840x395	1/2
I	2x 895x323	1/2



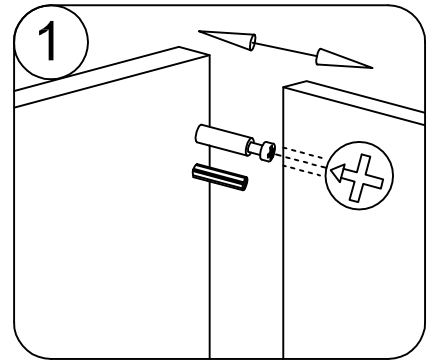
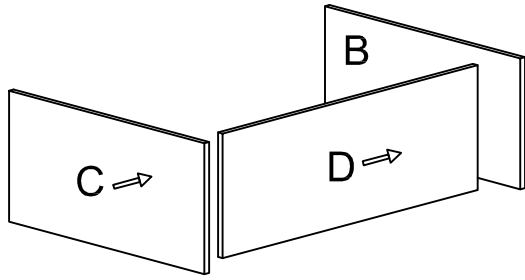
1



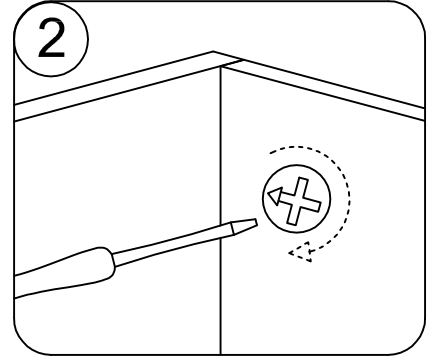
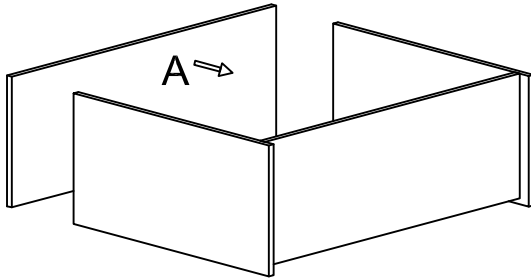
1.1



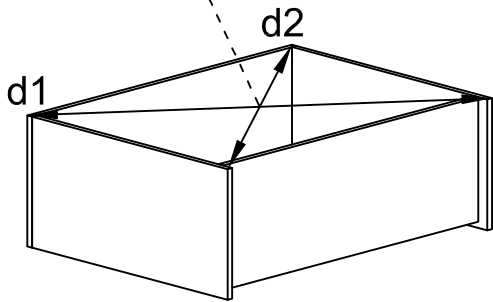
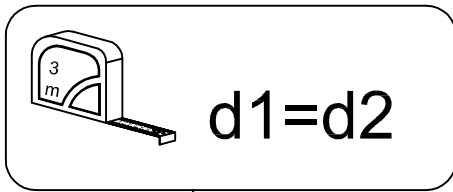
1.2



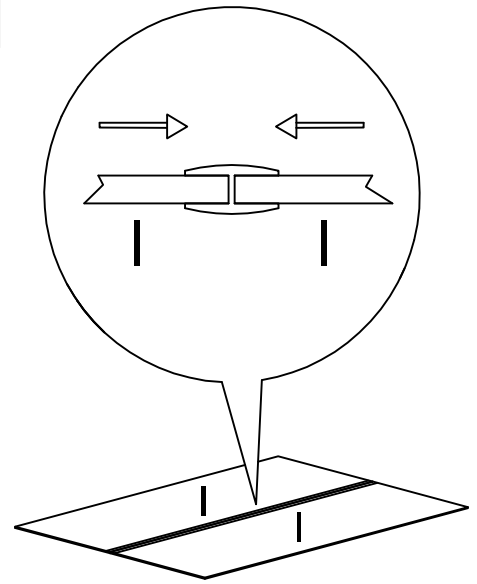
1.3



1.4



1.5



1.6

