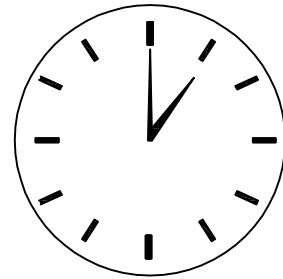
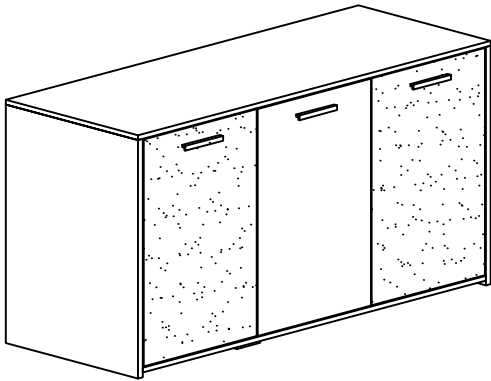
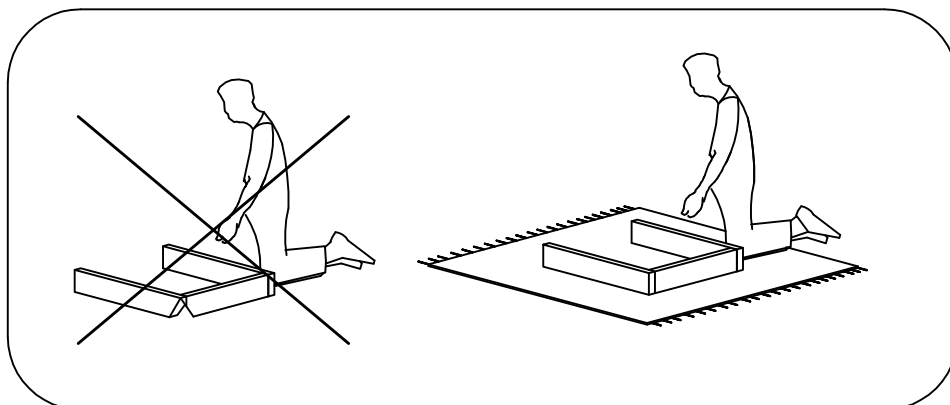
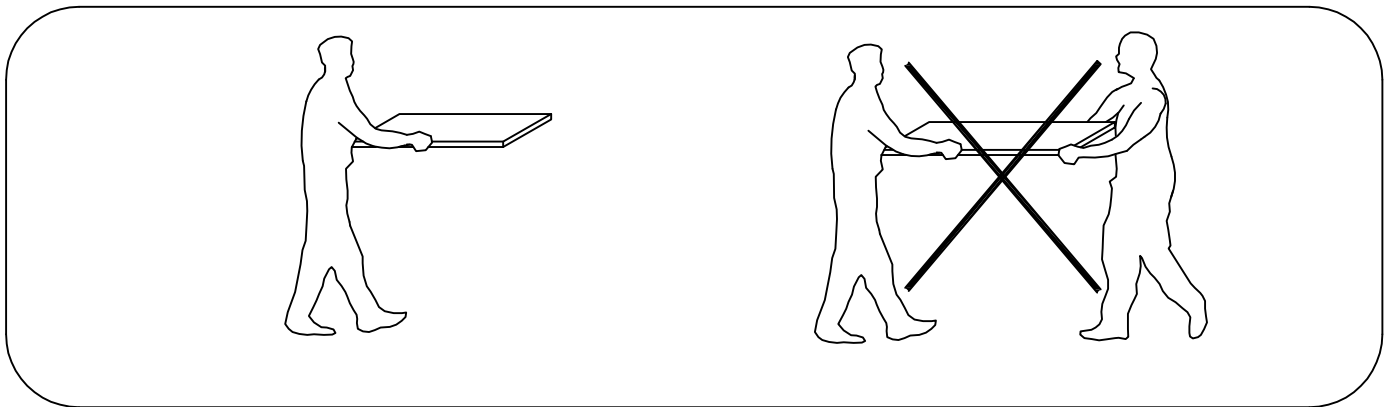
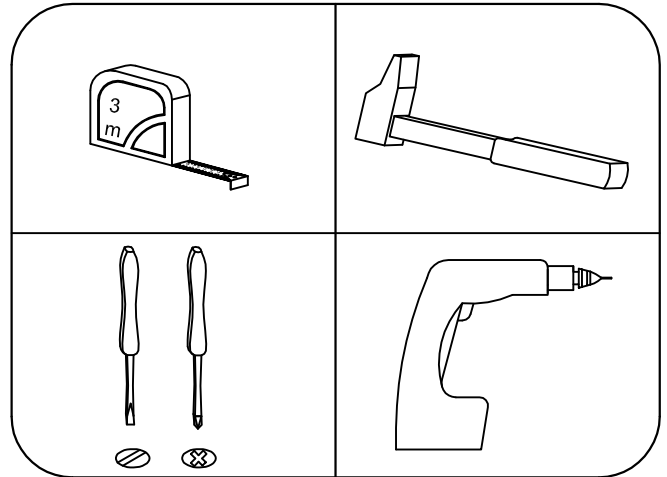
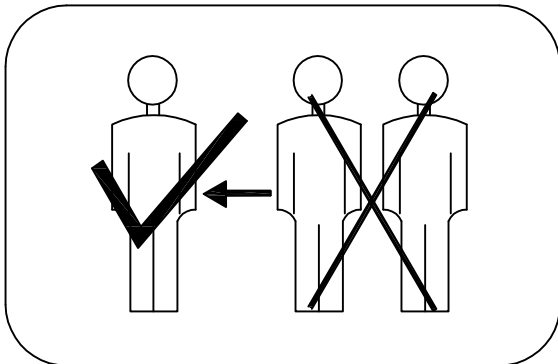


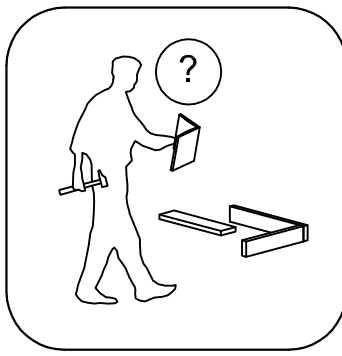
Elemental



60 min.

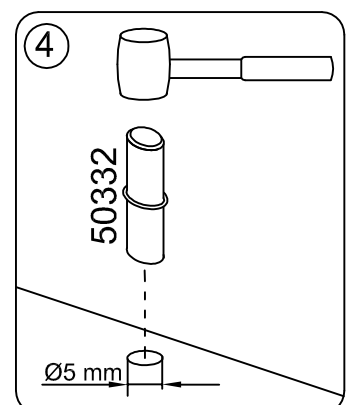
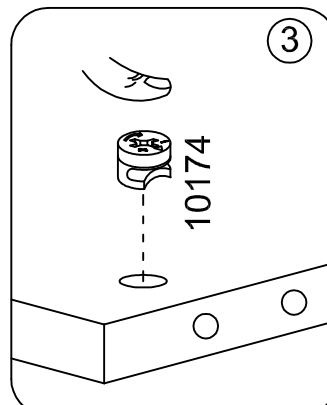
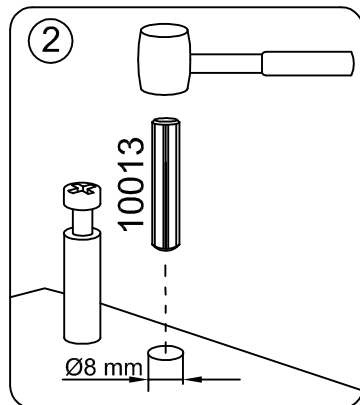
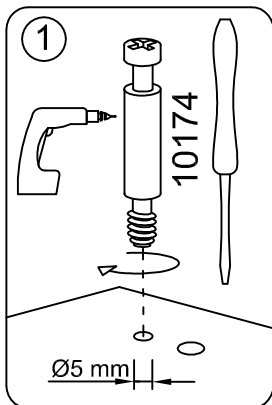


<http://www.irimbg.com/instructions/>

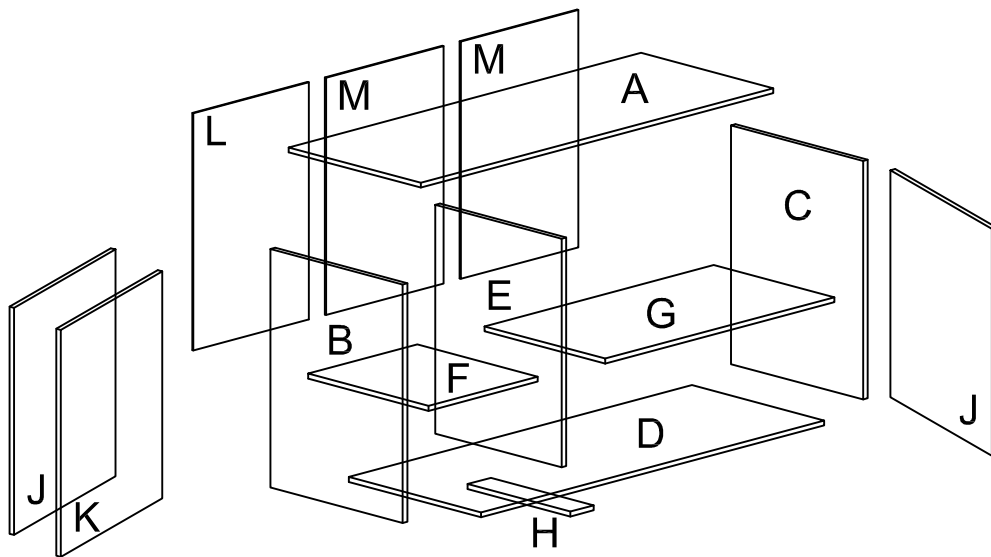


12x 10174	12x Φ 8/30 10013	12x 50317	10x 50332
6x 40160	3x 20108	6x 50246	24x Φ 3,5/16 10001
12x Φ 3,5/20 10002	3x Φ 3,5/30 10004	6x Φ 4/30 10006	 10033

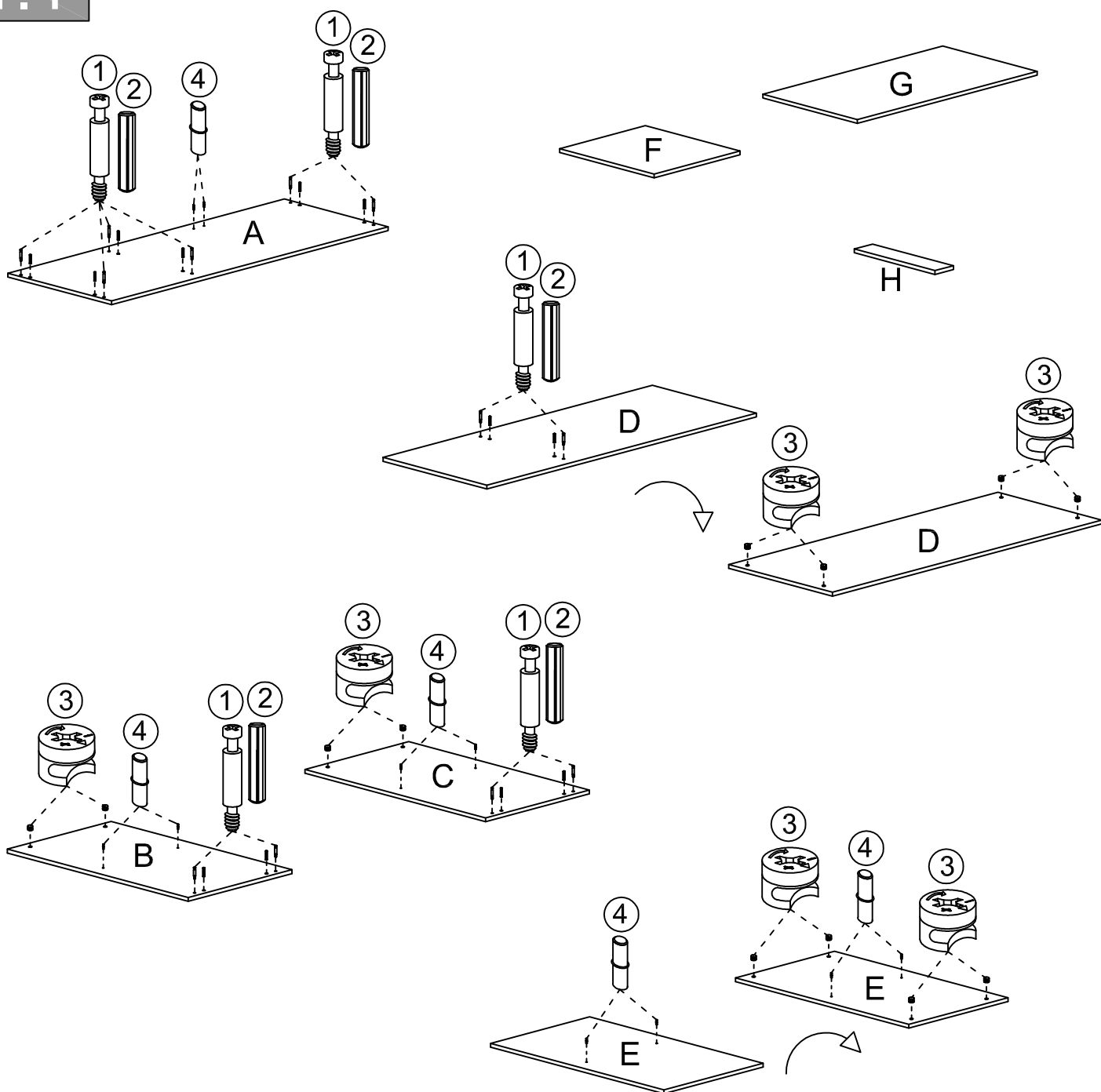
		Box number
A	1200x450	1/3
B	784x450	2/3
C	784x450	2/3
D	1168x450	1/3
E	752x430	2/3
F	372x410	2/3
G	780x410	2/3
H	350x80	2/3
J	2x 746x385	3/3
K	746x385	3/3
L	780x393	2/3
M	2x 780x400	2/3



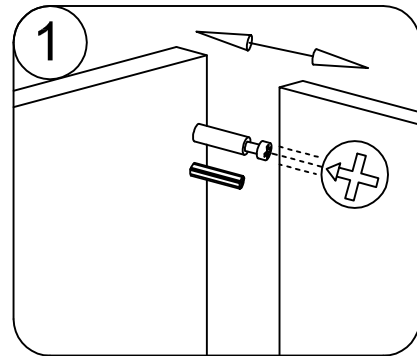
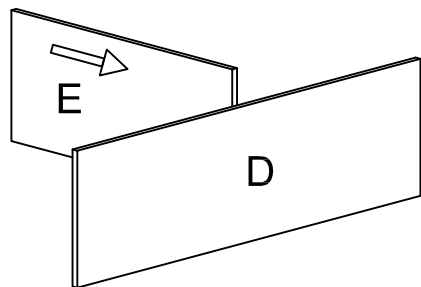
1



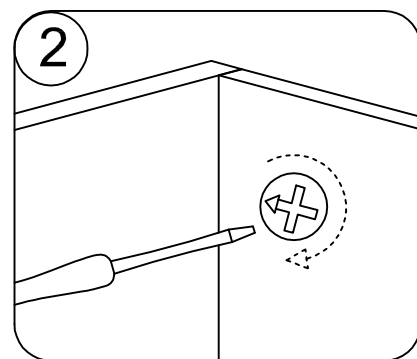
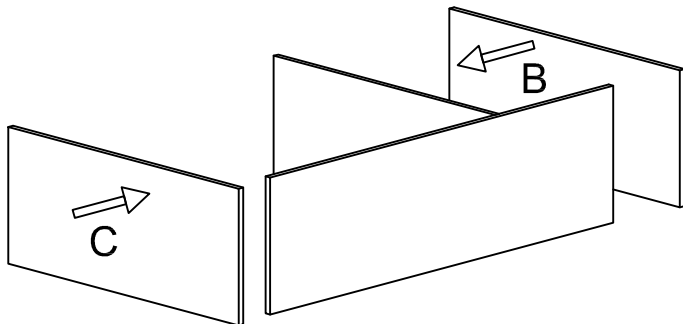
1.1



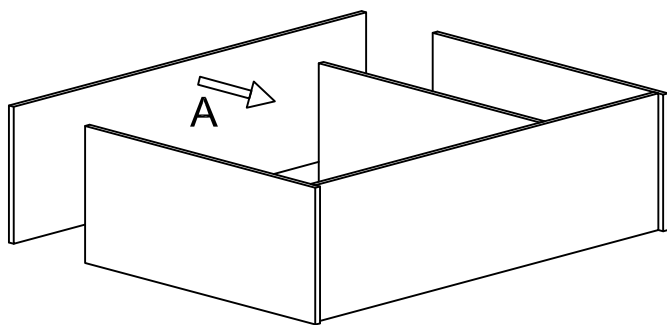
1.2



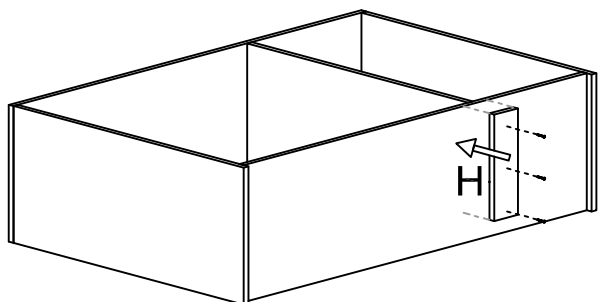
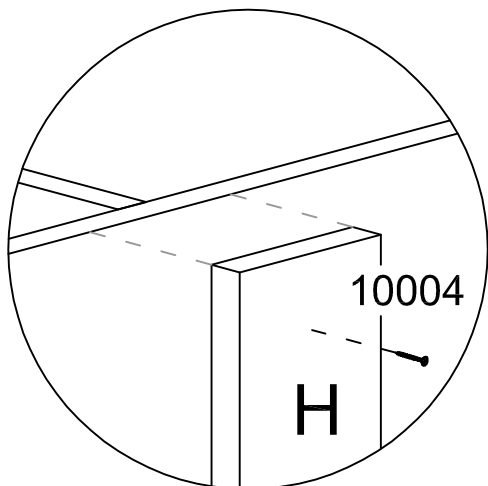
1.3



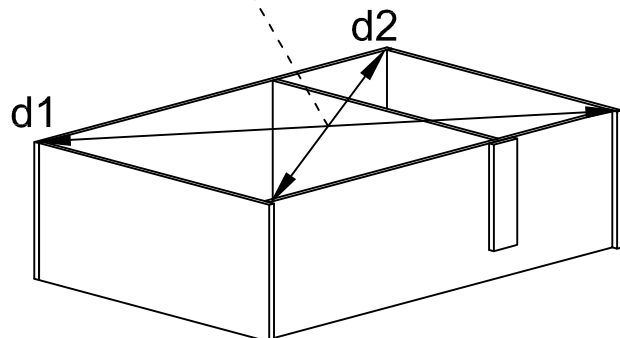
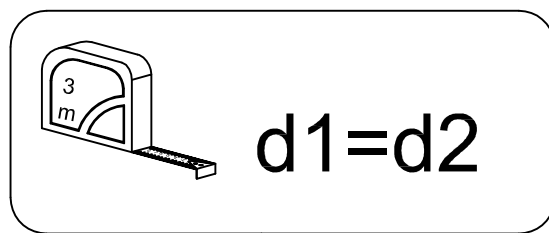
1.4



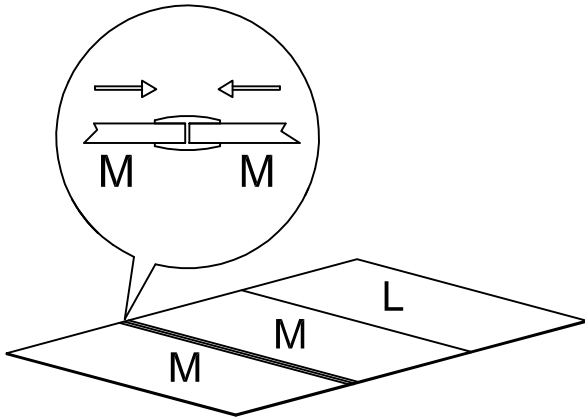
1.5



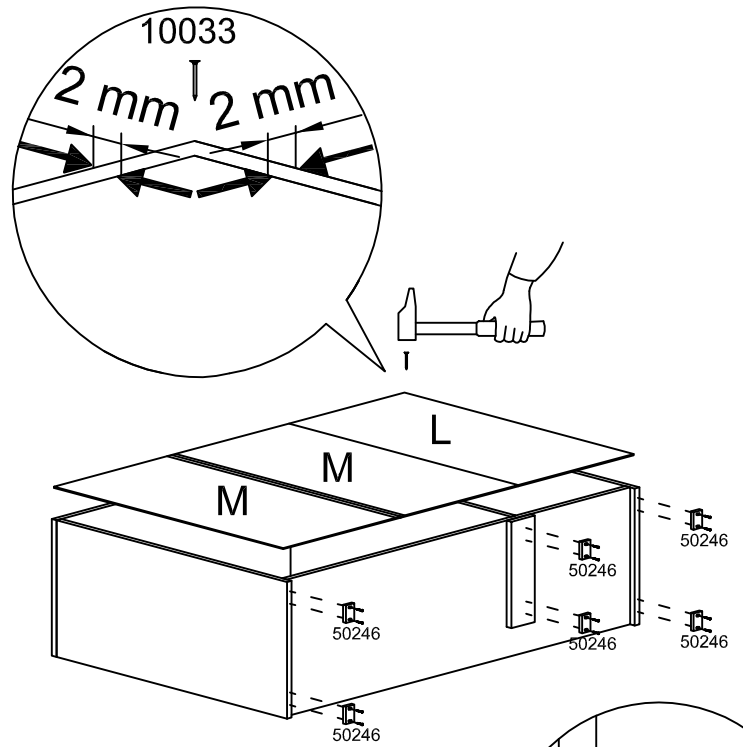
1.6



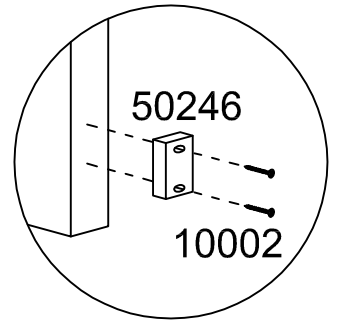
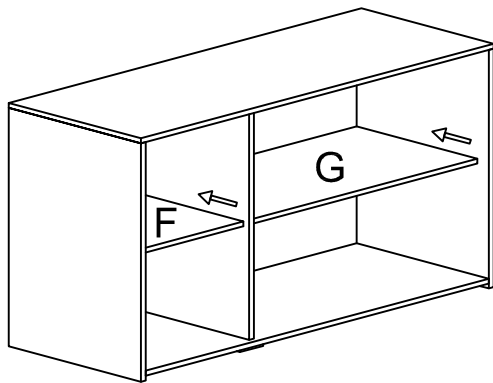
1.7



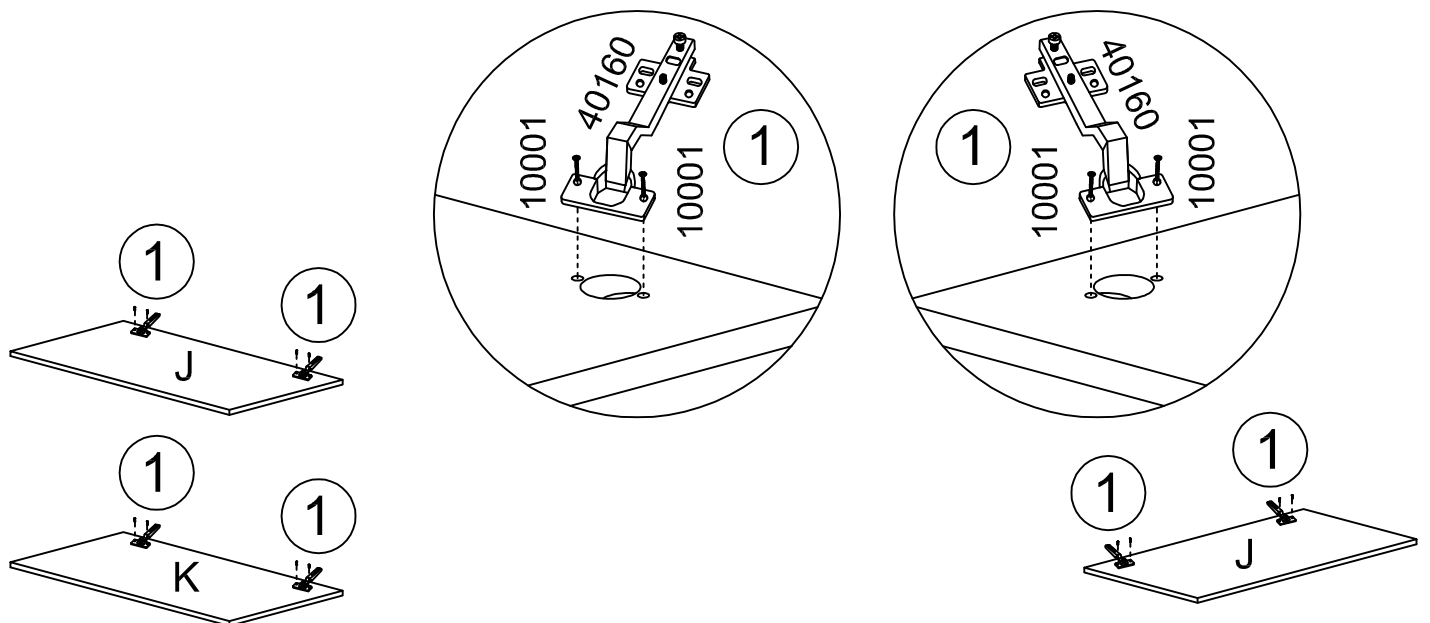
1.8



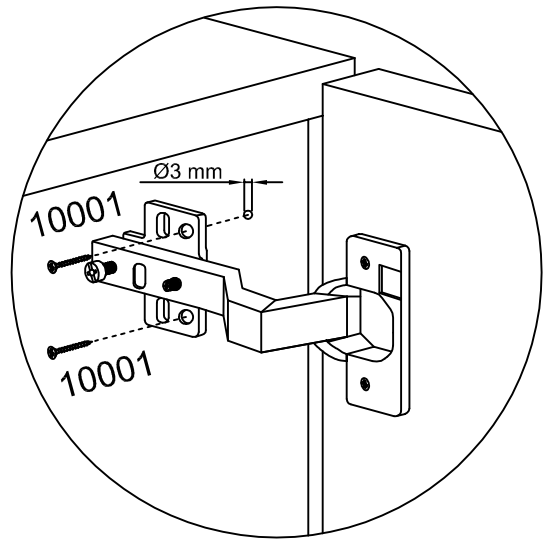
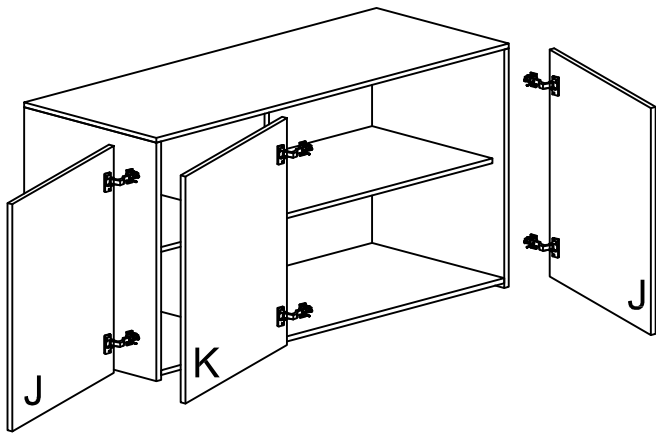
1.9



1.10



1.11



1.12

