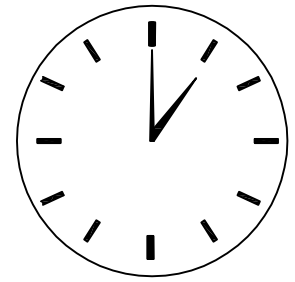
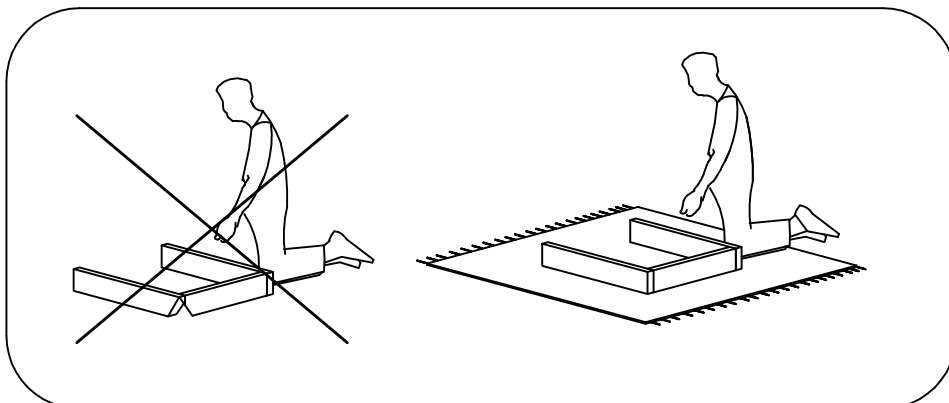
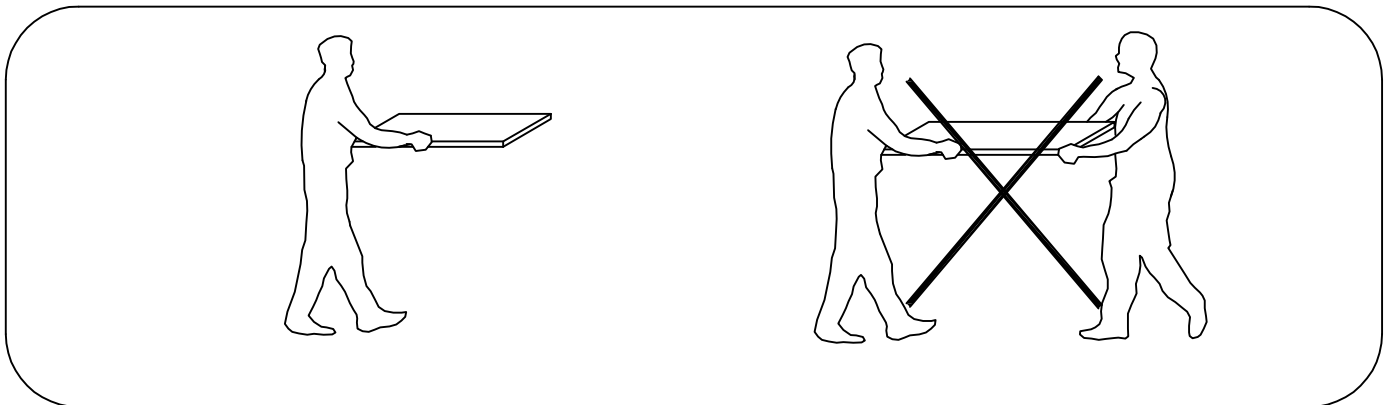
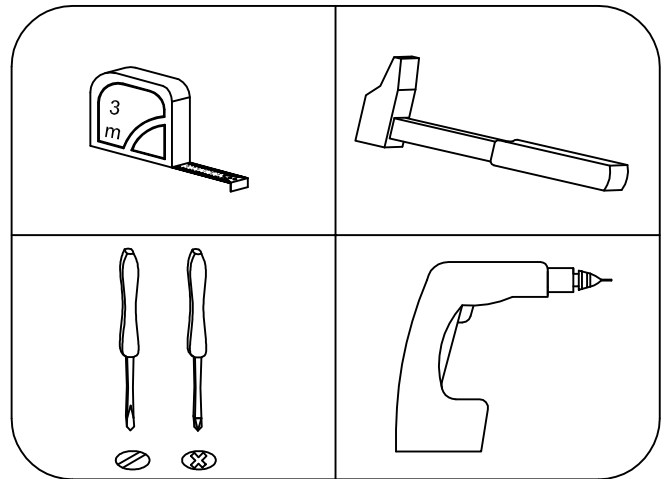
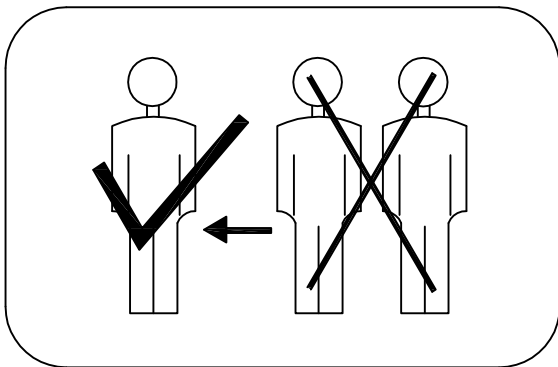
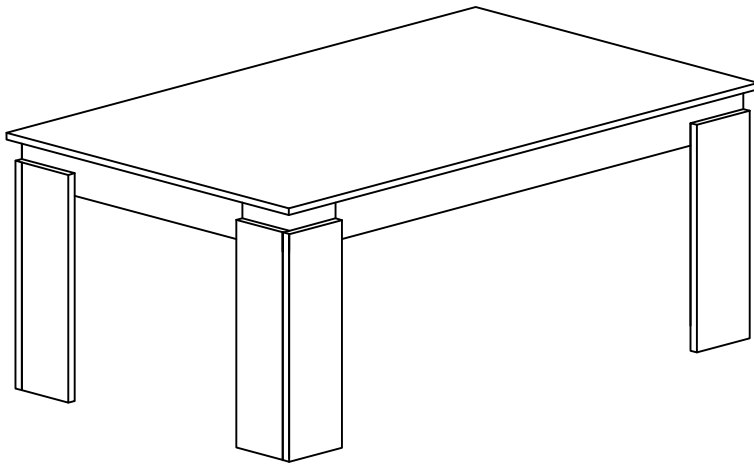


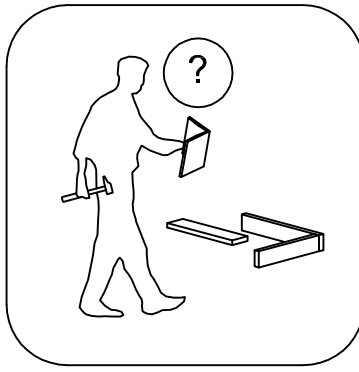
Vikea



30 min.

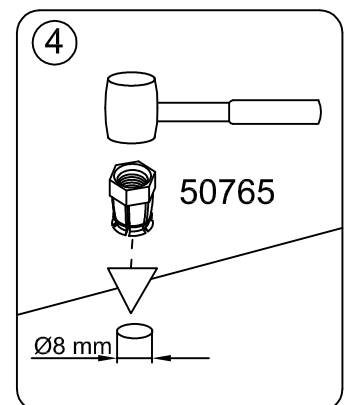
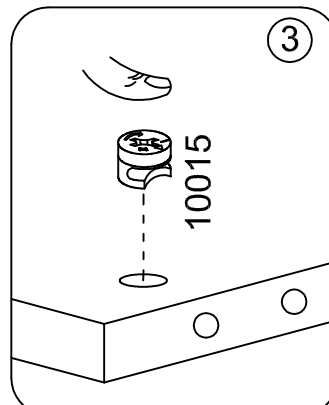
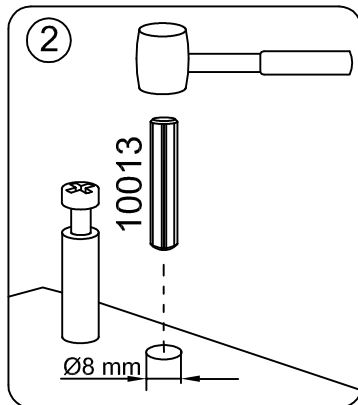
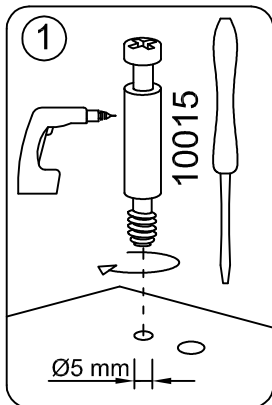


<http://www.irimbg.com/instructions/>

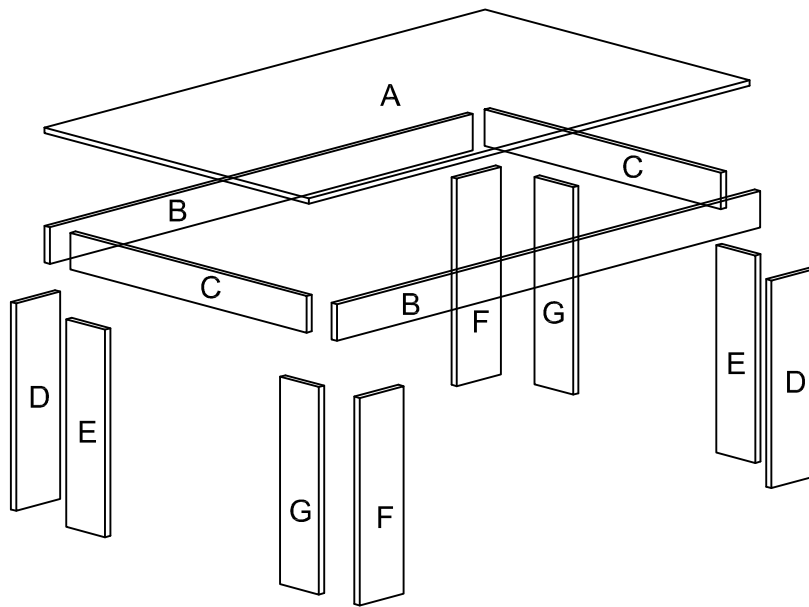


26x 10015	36x Φ 8/30 10013	26x 50317	16x 50765
8x 50246	16x M 6/30 10025	16x Φ 3,5/20 10002	

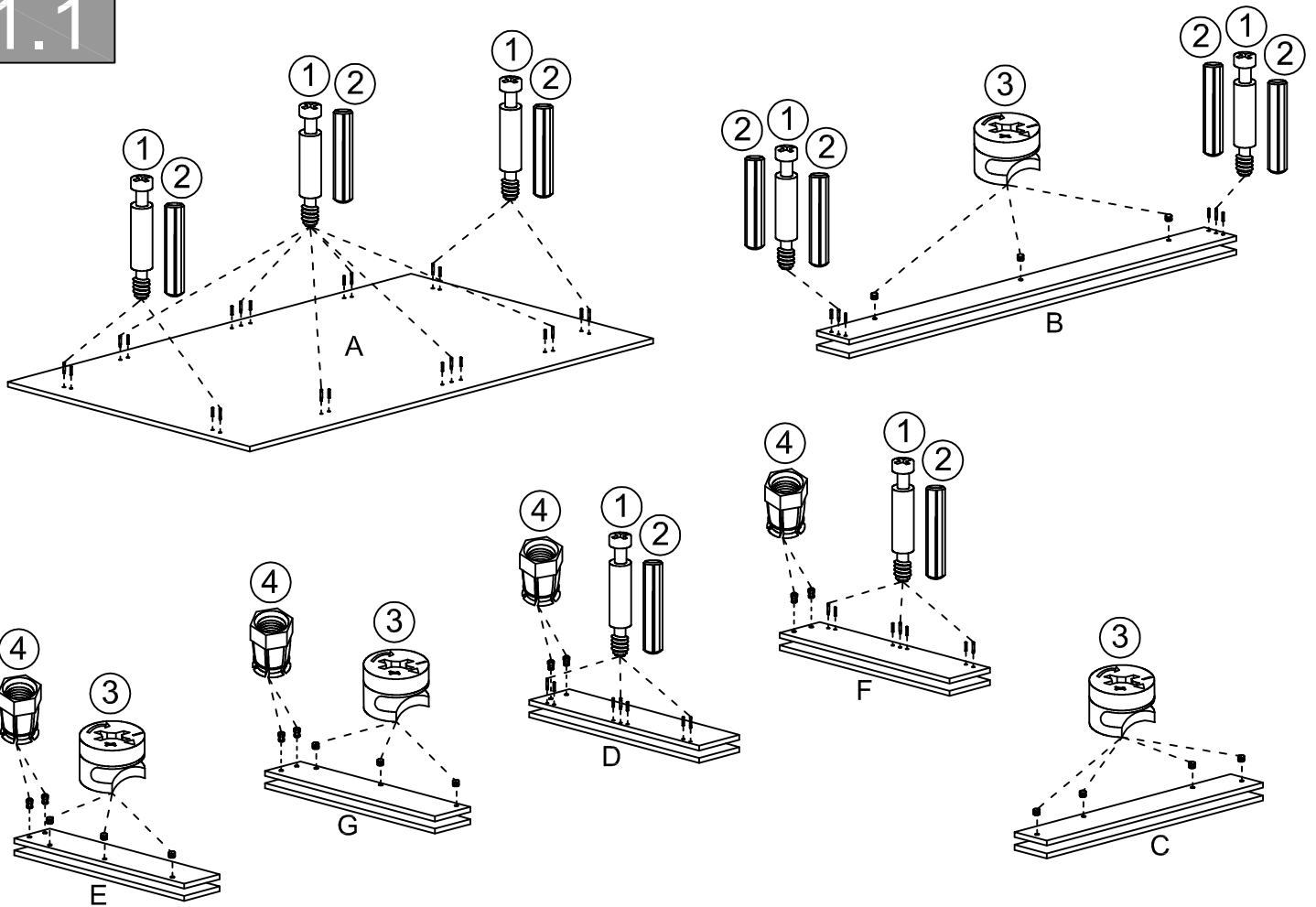
		Box number
A	1500x900	1/2
B	2x 1440x120	2/2
C	2x 804x120	2/2
D	2x 682x150	2/2
E	2x 682x132	2/2
F	2x 682x150	2/2
G	2x 682x132	2/2



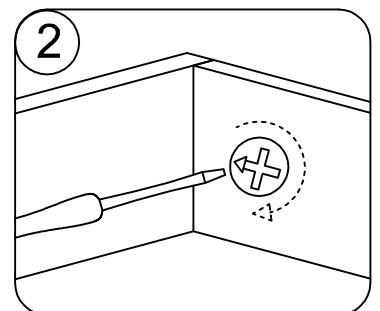
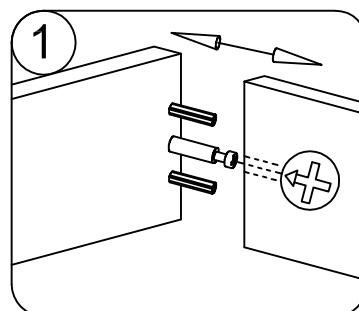
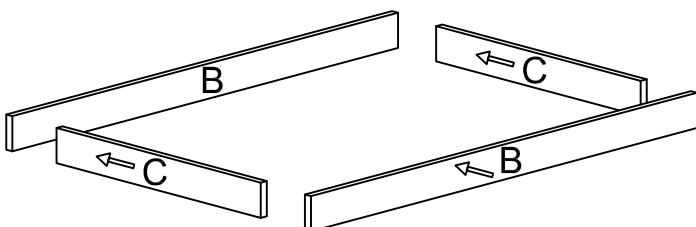
1



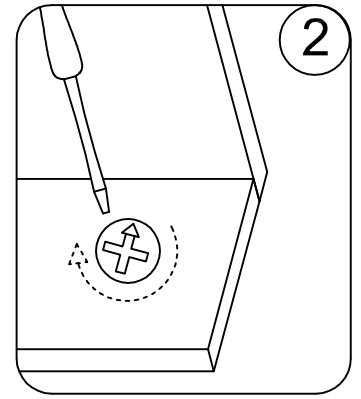
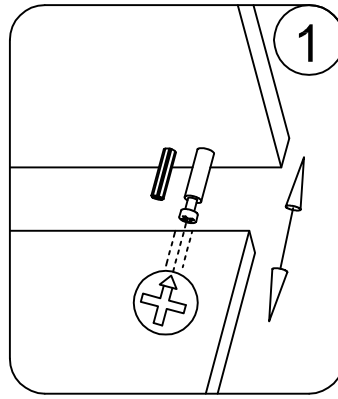
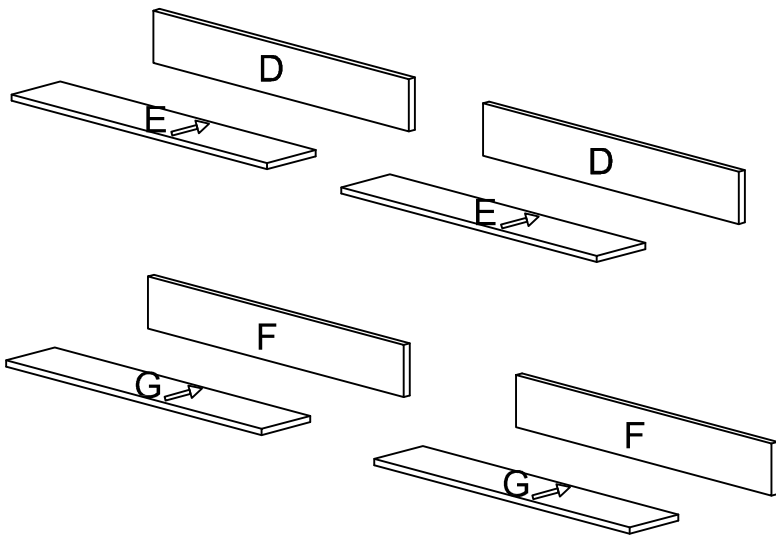
1.1



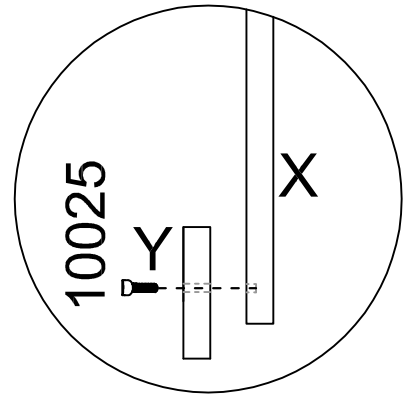
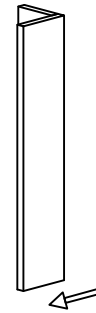
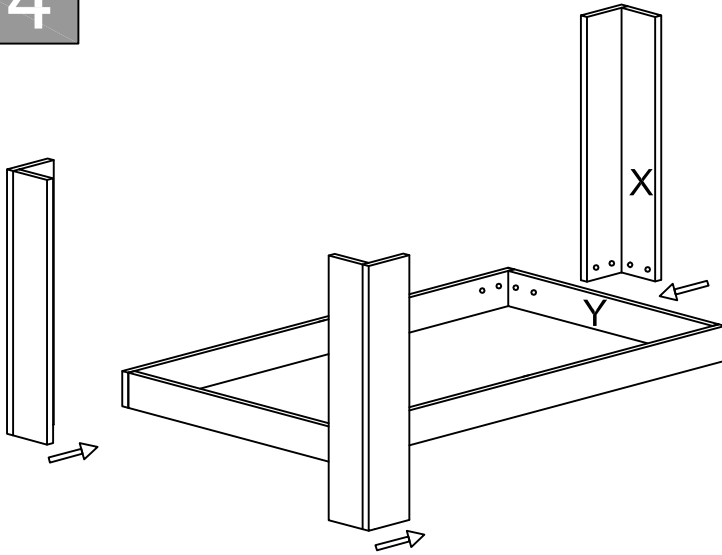
1.2



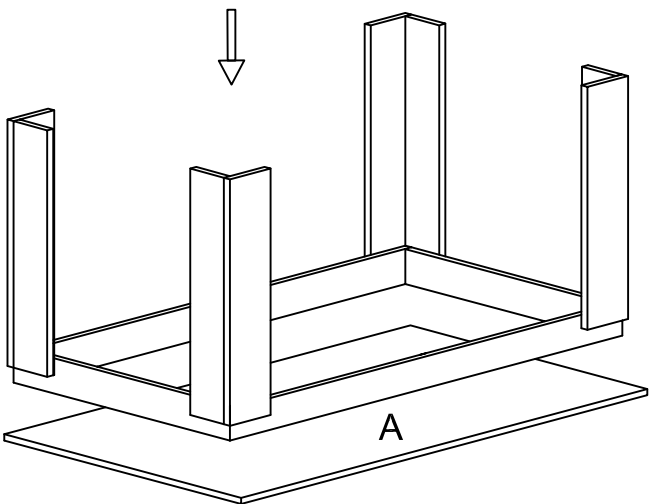
1.3



1.4



1.5



1.6

