
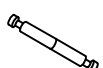


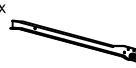
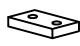








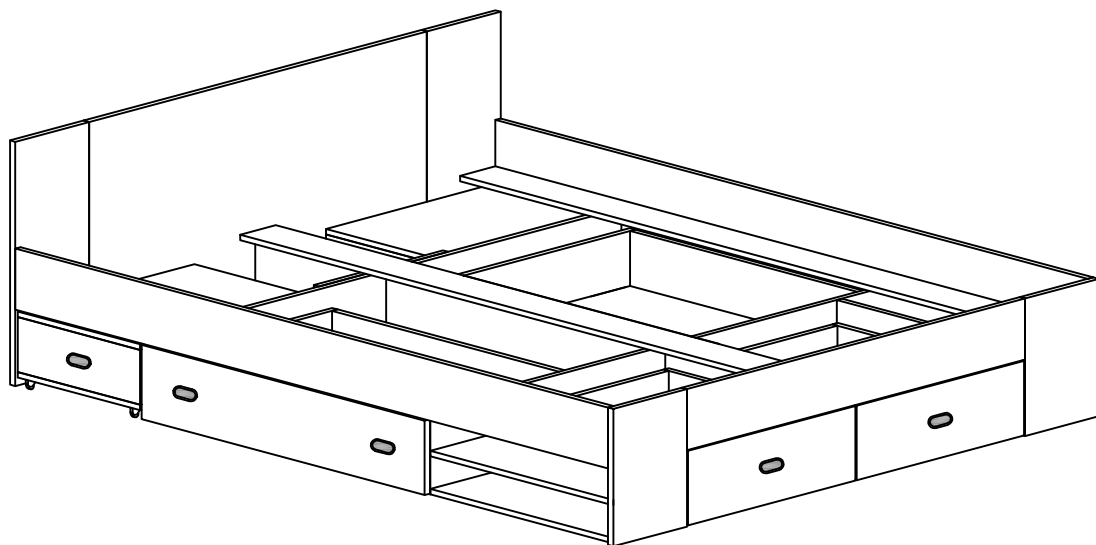


Cat

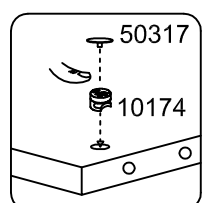
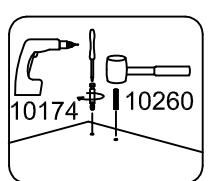
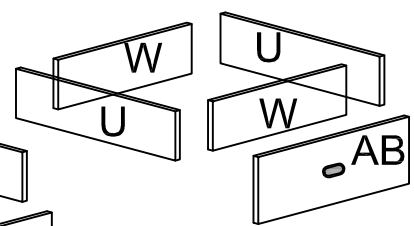
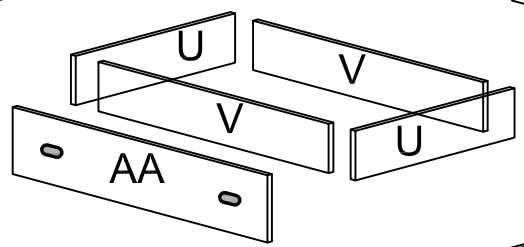
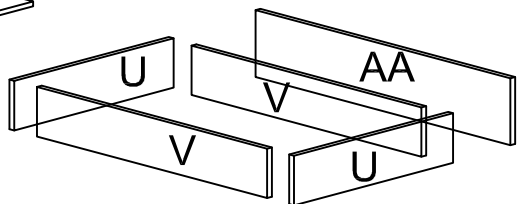
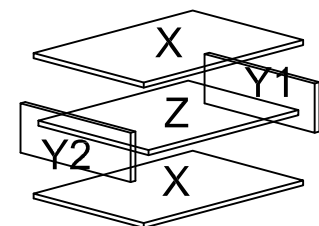
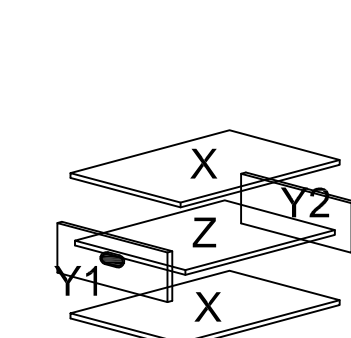
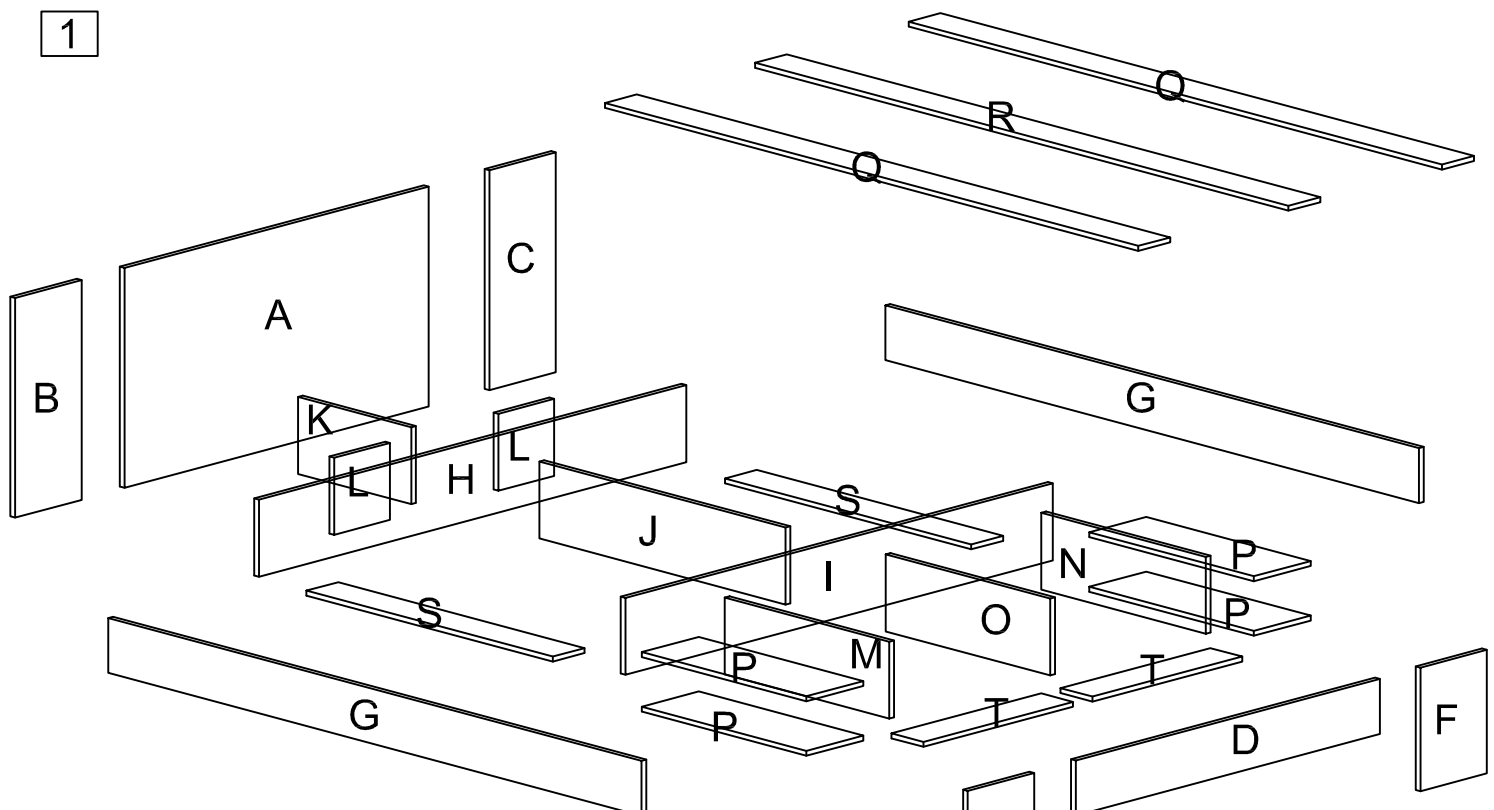
A	1146x800	1/7
B	800x250	1/7
C	800x250	1/7
D	1146x200	1/7
E	450x250	2/7
F	450x250	2/7
G	2x 2010x200	3/7
H	1610x280	2/7
I	1610x280	2/7
J	928x280	2/7
K	426x280	2/7
L	2x 210x280	1/7
M	620x280	2/7
N	620x280	2/7
O	620x280	2/7

P	4x 620x214	5/7
Q	2x 2010x120	3/7
R	2010x120	3/7
S	2x 928x120	3/7
T	2x 564x120	1/7
U	8x 600x180	6/7
V	4x 867x180	7/7
W	4x 503x180	6/7
X	4x 600x415	5/7
Y1,Y2	4x 180x415	4,5/7
Z	2x 564x415	5/7
AA	2x 244x960	4/7
AB	2x 244x568	4/7
AC	2x 900x595	1/7
AD	2x 536x595	1/7

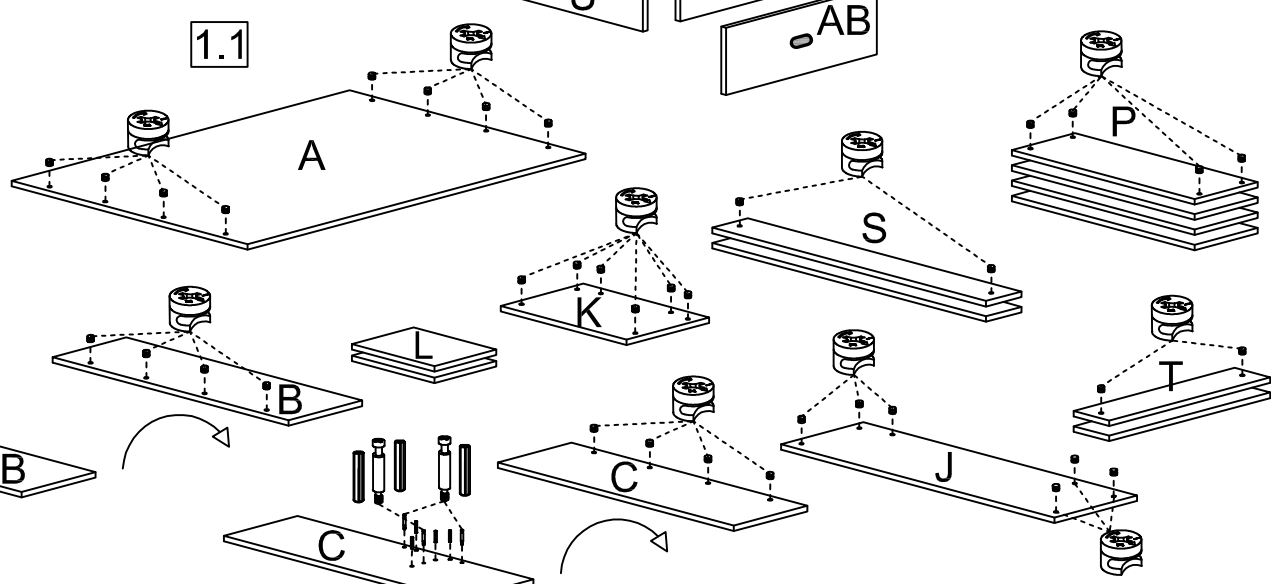
86x  10015	5x  L 86mm 10072	125x  Φ 8/30 10260	120x  50317	4x  L= 600mm 50977	10x  50246	8x  50371	44x  Φ 3,5/16 10001
45x  Φ 3,5/20 10002	12x  L 68mm 10258	12x  Φ 3,5/30 10004	32x  Φ 4/45 10008	1x  50561	 10033		

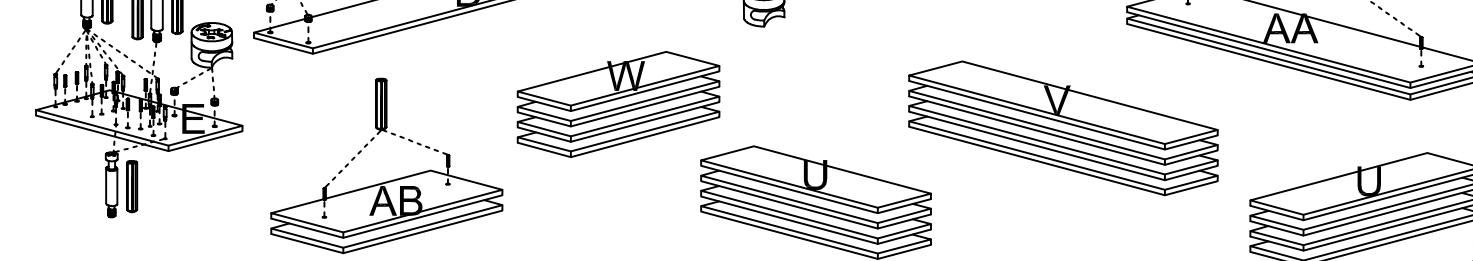
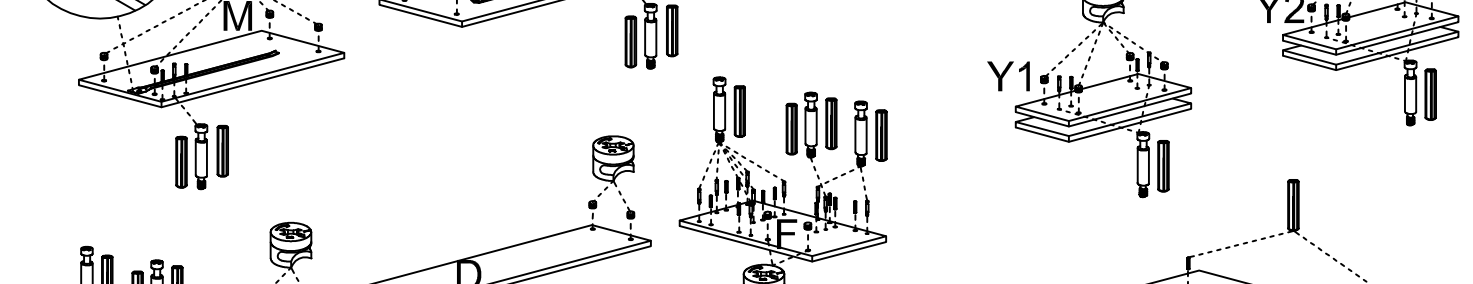
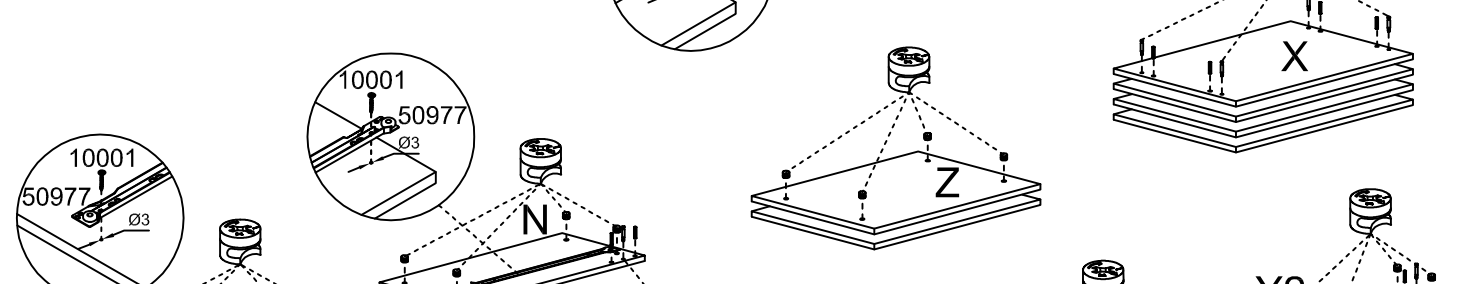
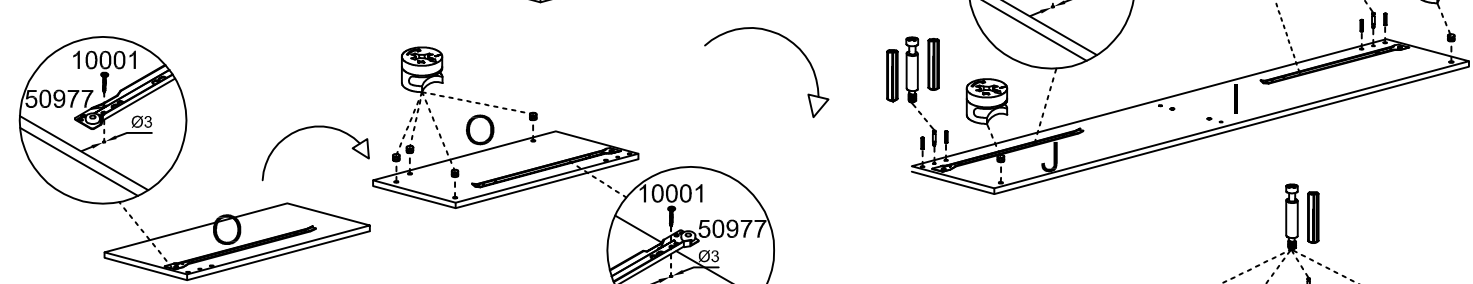
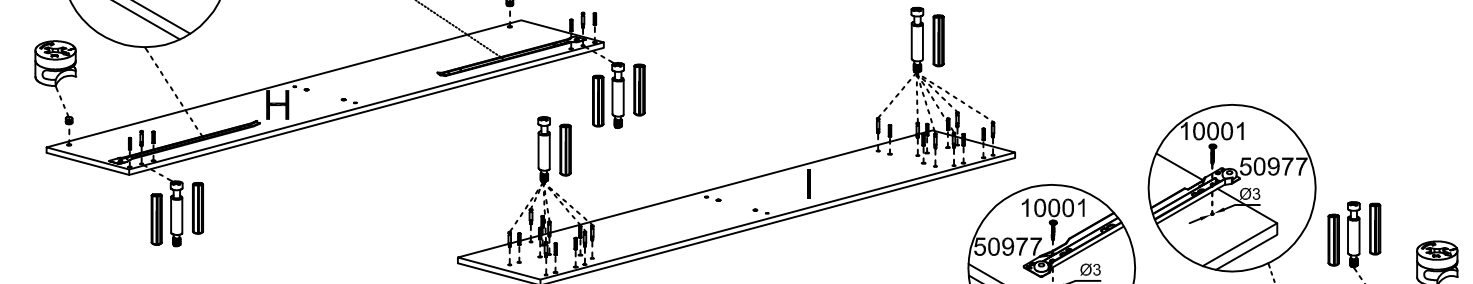
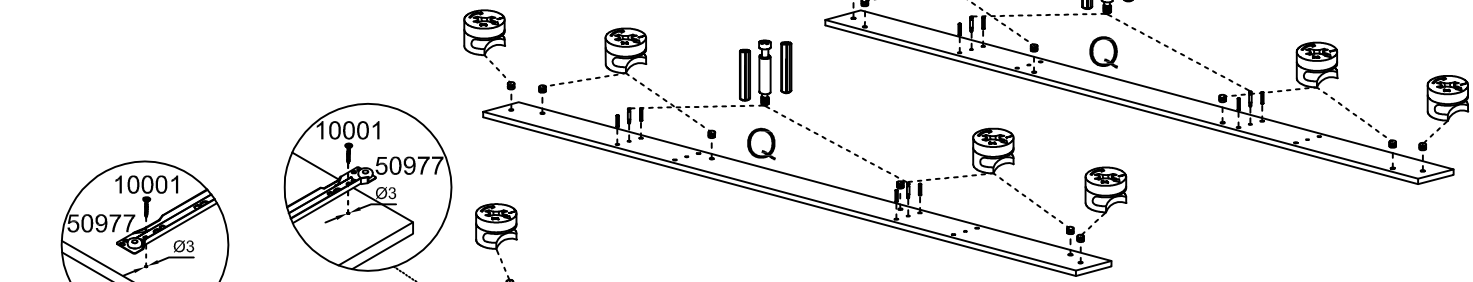
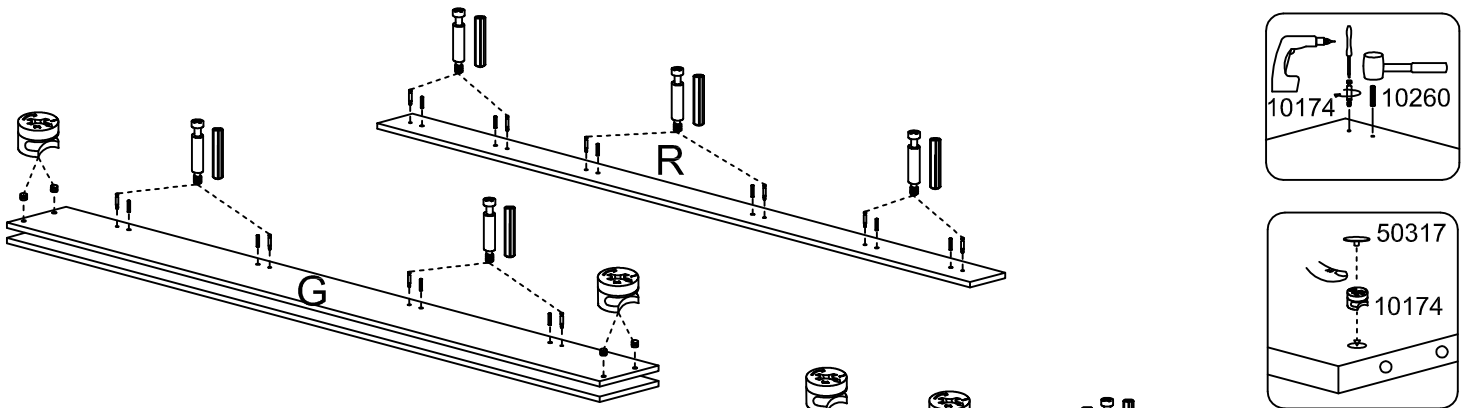
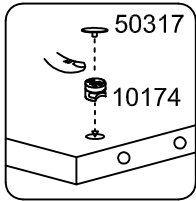
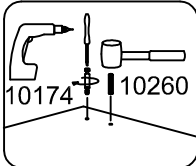


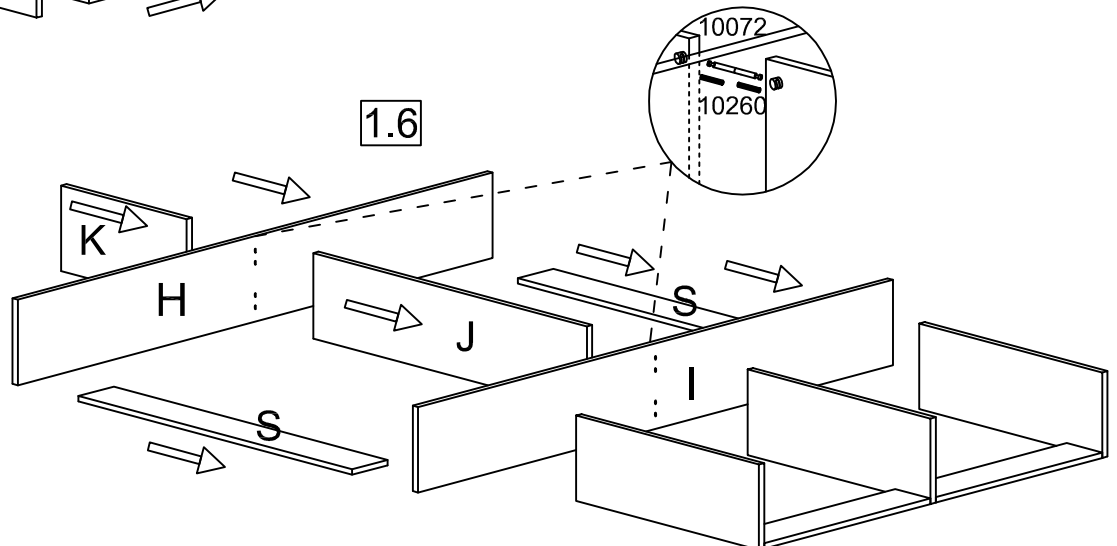
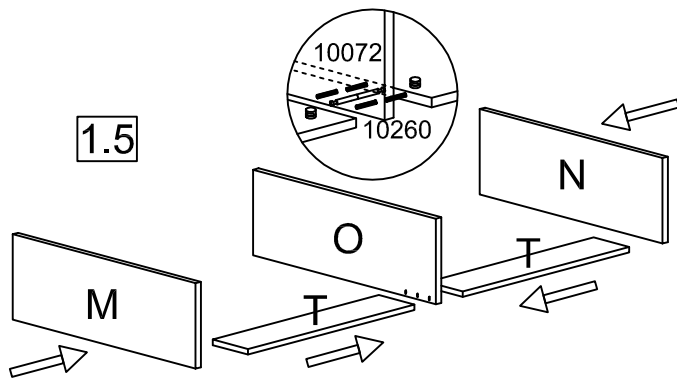
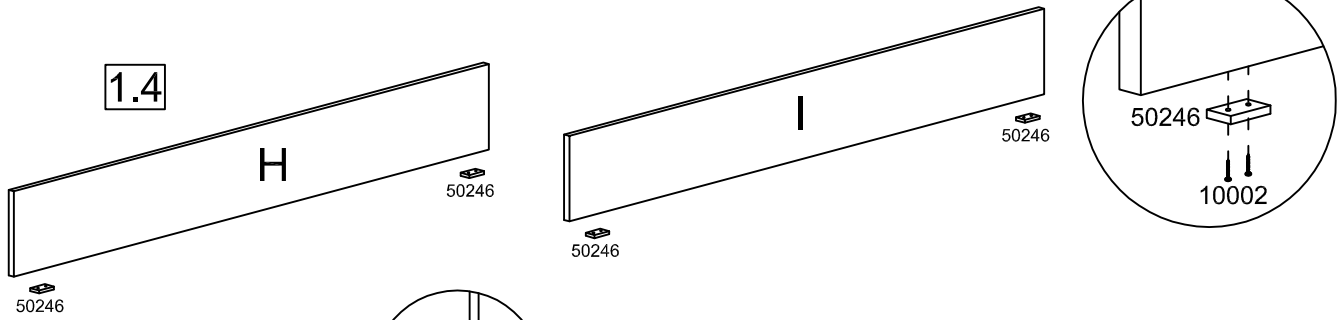
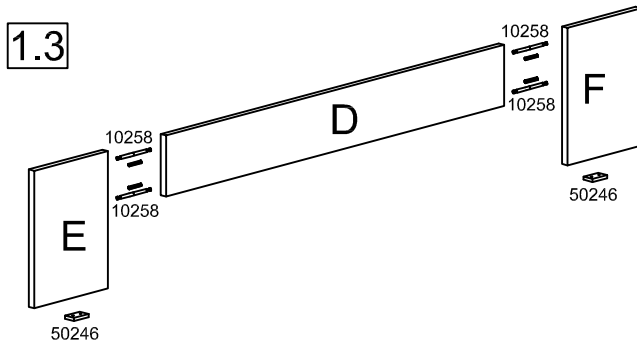
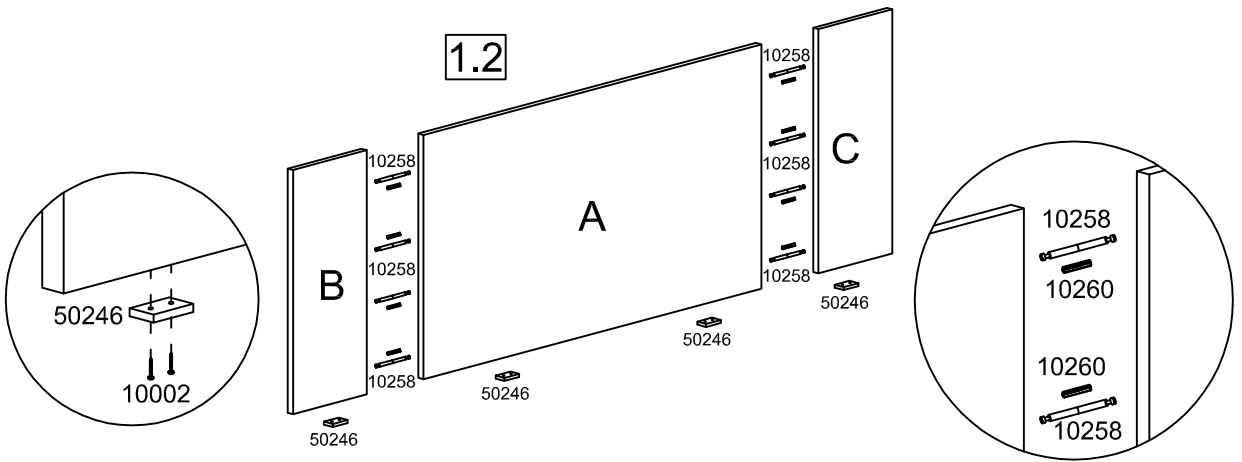
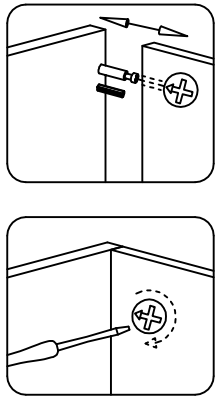
1



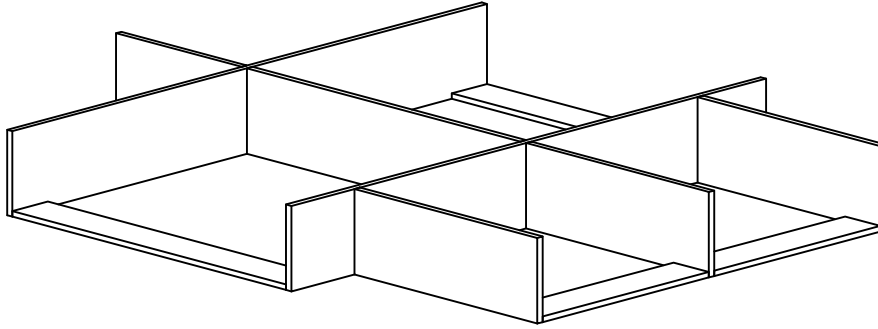
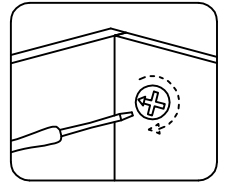
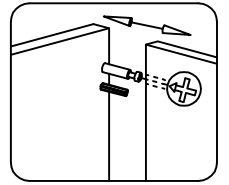
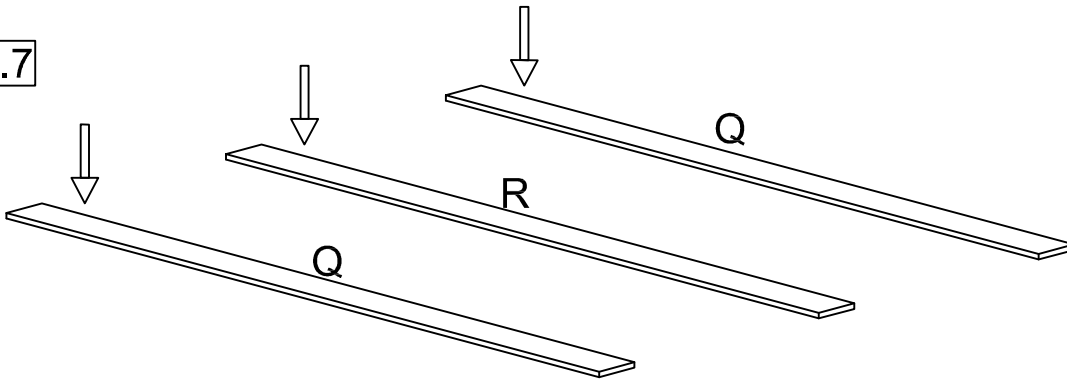
1.1



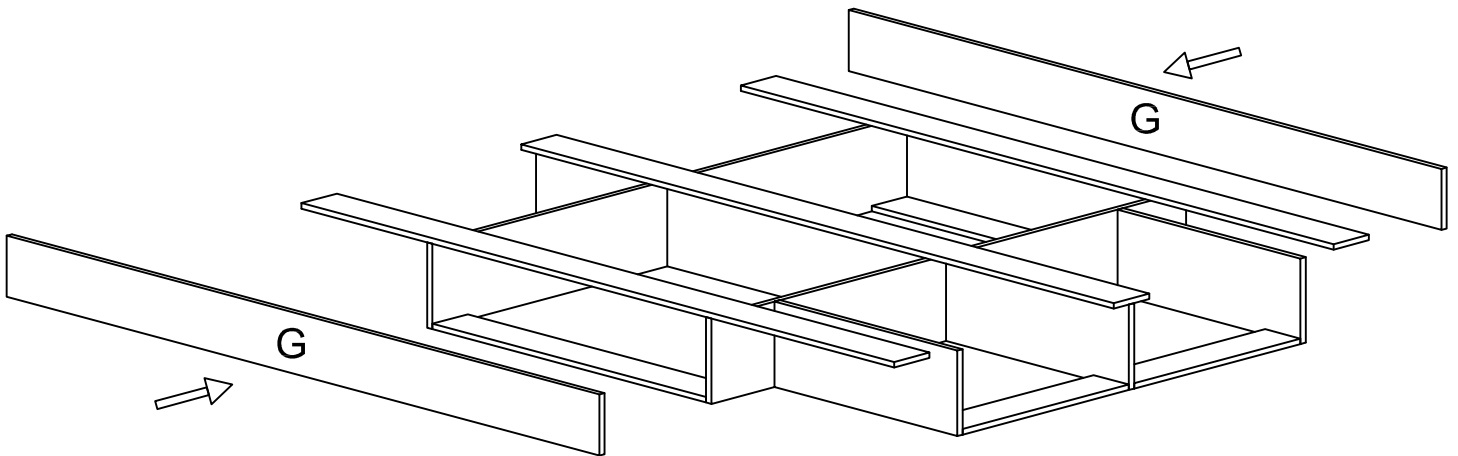




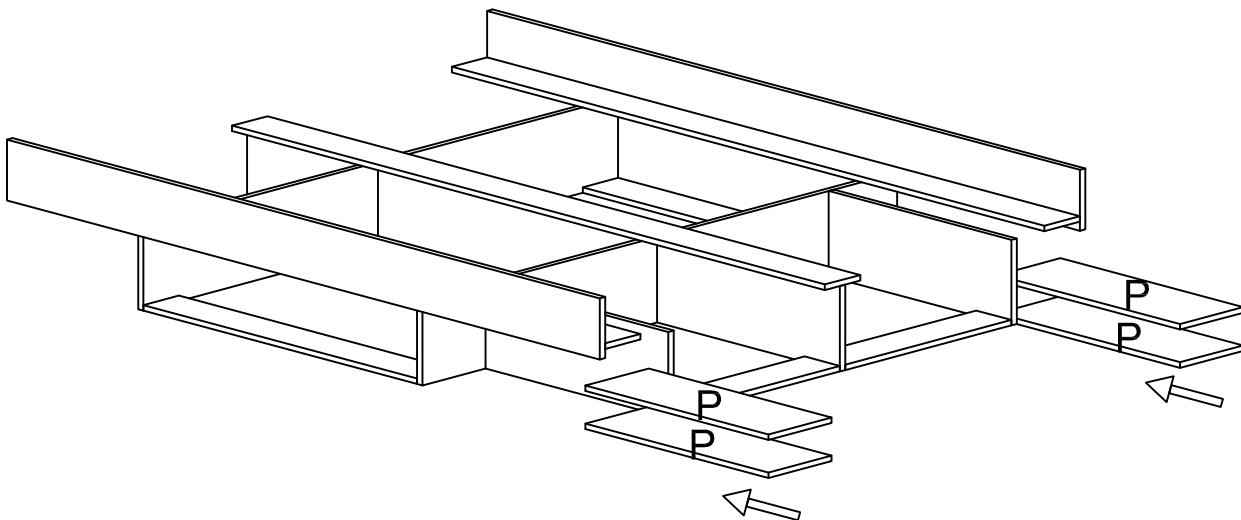
1.7



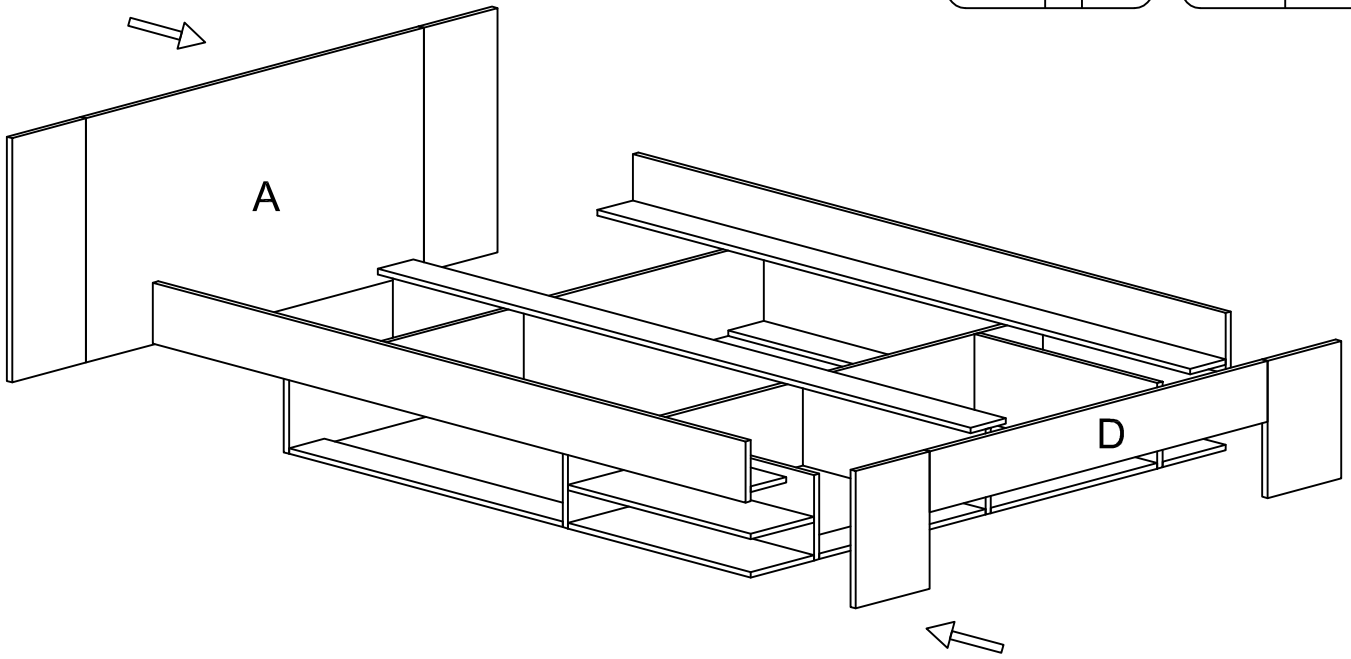
1.8



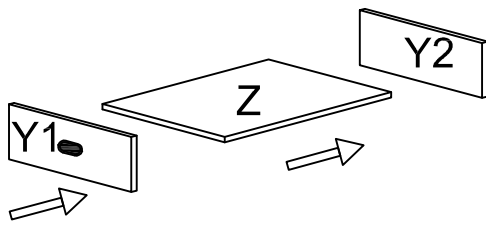
1.9



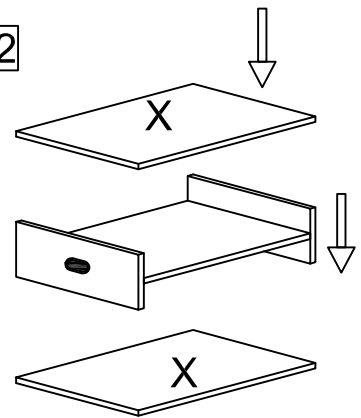
1.10



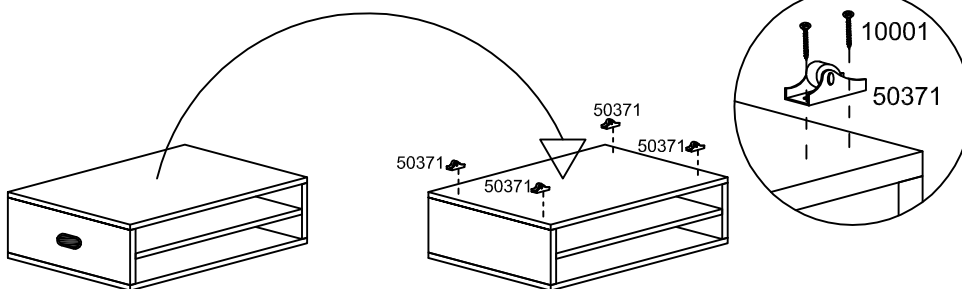
1.11



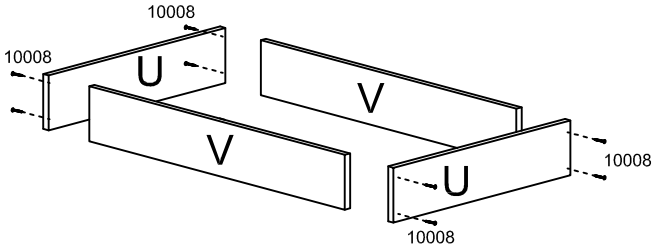
1.12



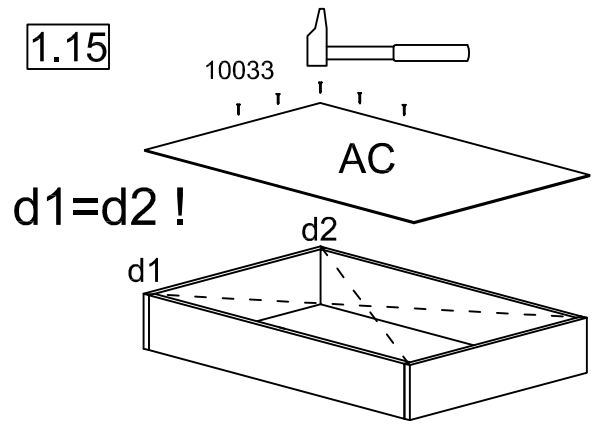
1.13



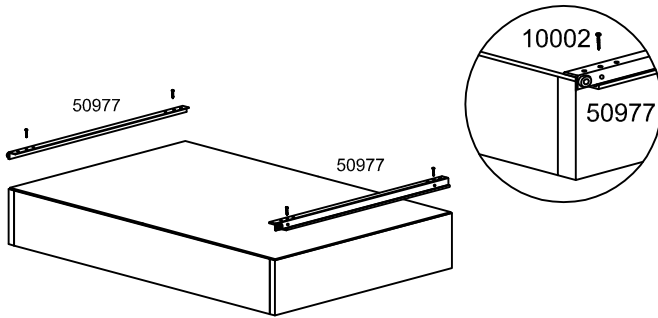
1.14



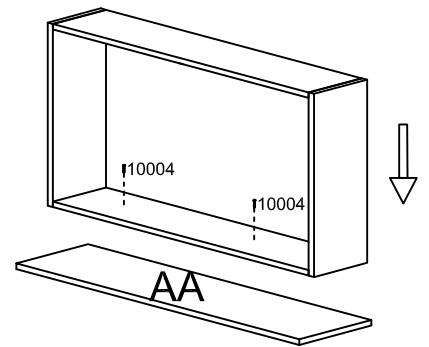
1.15



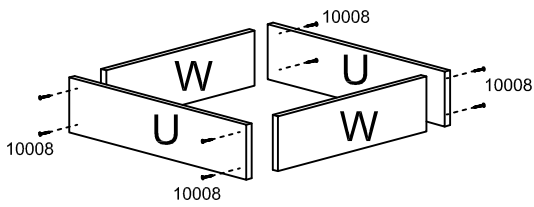
1.16



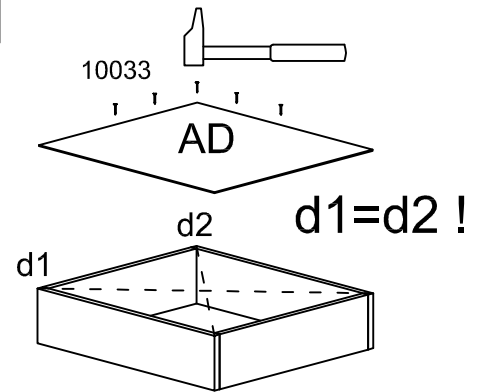
1.17



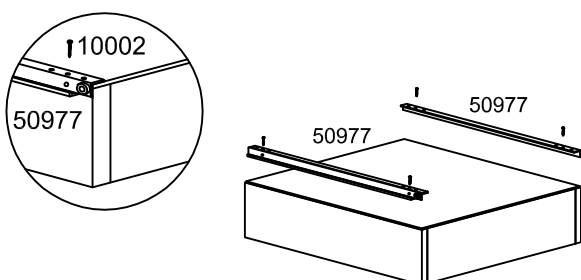
1.18



1.19



1.20



1.21

