



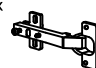
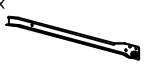















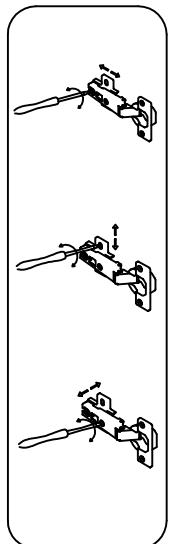
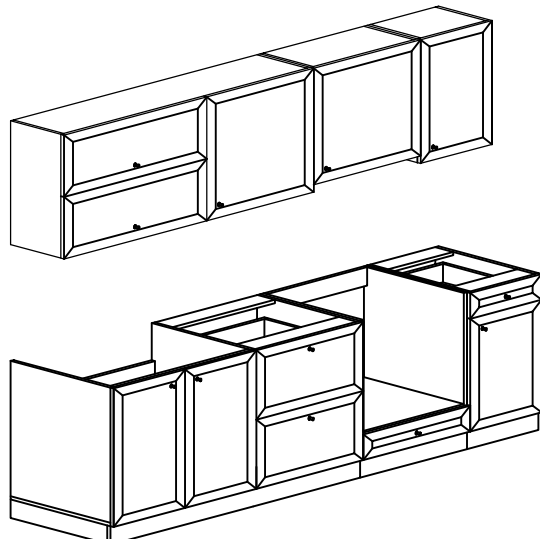


Carpatica

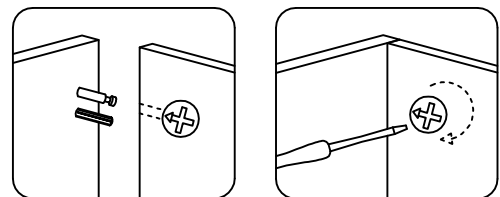
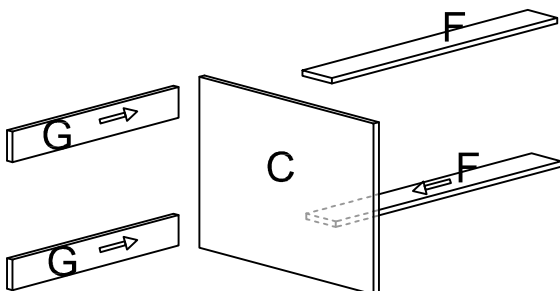
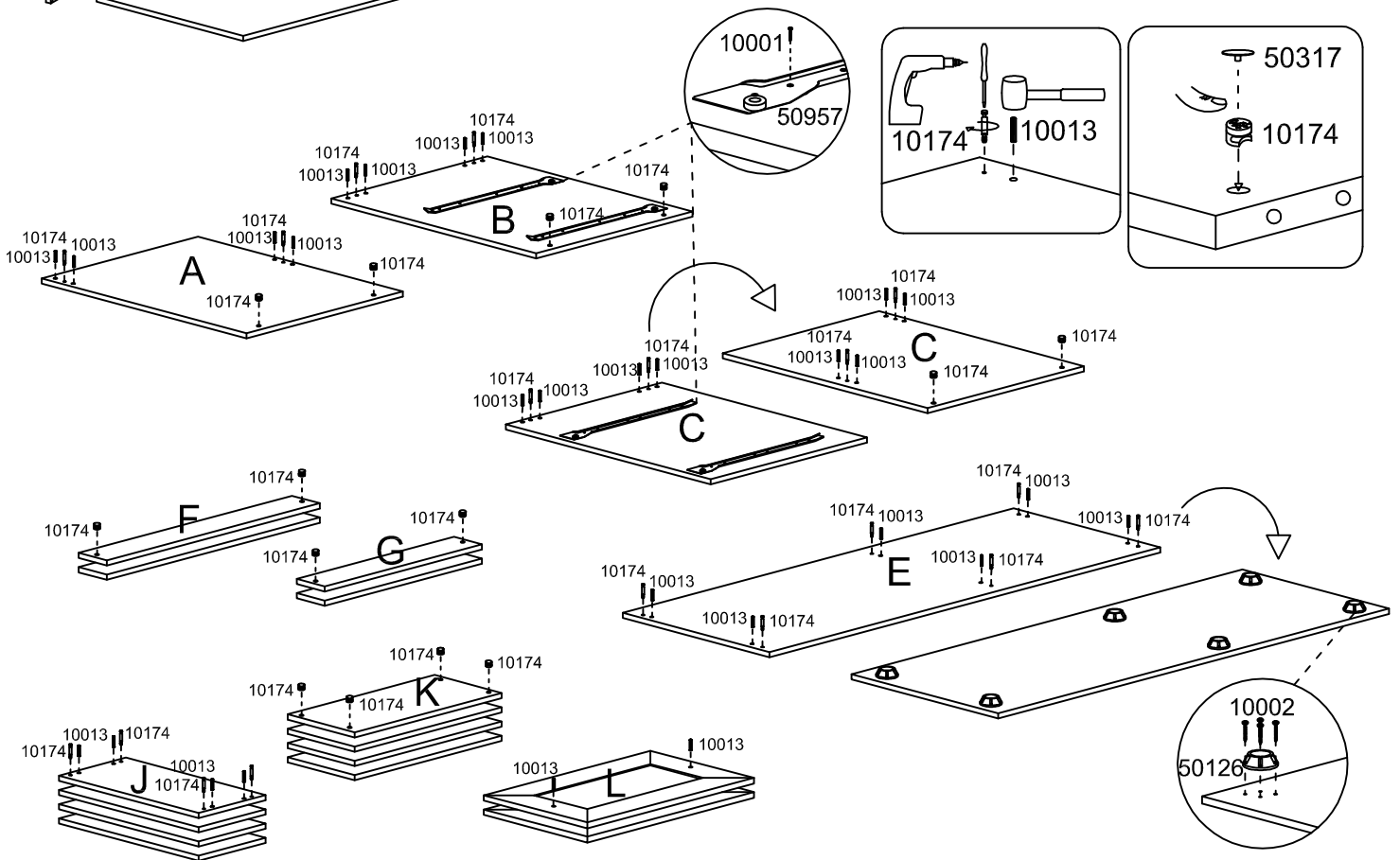
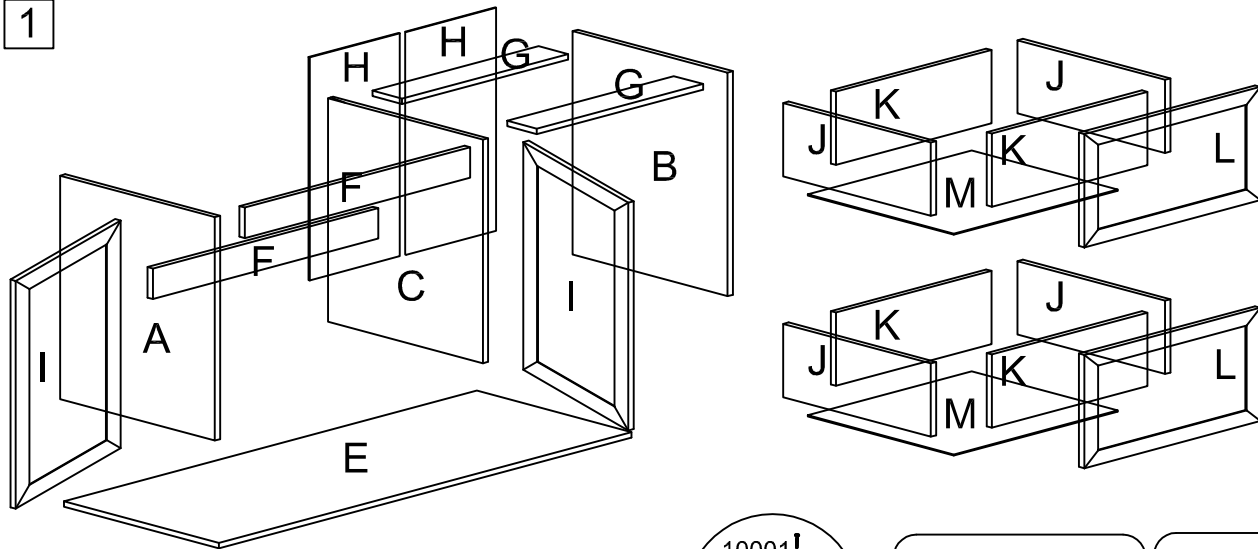
| | | |
|----|------------|------|
| A | 734x560 | 2/11 |
| B | 734x560 | 2/11 |
| C | 734x560 | 2/11 |
| E | 1400x560 | 1/11 |
| F | 2x 768x100 | 2/11 |
| G | 2x 584x100 | 2/11 |
| H | 2x 745x305 | 1/11 |
| I | 2x 746x397 | 3/11 |
| J | 2x 500x240 | 1/11 |
| K | 2x 527x240 | 1/11 |
| L | 2x 371x597 | 3/11 |
| M | 2x 556x495 | 1/11 |
| N | 734x560 | 4/11 |
| O | 734x560 | 4/11 |
| P | 600x560 | 4/11 |
| Q | 568x560 | 4/11 |
| R | 568x100 | 4/11 |
| S | 145x595 | 4/11 |
| T | 2x 500x 70 | 4/11 |
| U | 2x 511x 70 | 4/11 |
| V | 141x597 | 4/11 |
| X | 540x495 | 4/11 |
| Y | 734x560 | 5/11 |
| Z | 734x560 | 5/11 |
| AA | 400x560 | 5/11 |
| AB | 2x 368x100 | 5/11 |
| AC | 368x540 | 5/11 |
| AD | 602x397 | 5/11 |
| AE | 745x395 | |
| AF | 2x 500x 90 | 5/11 |

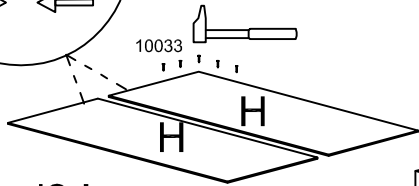
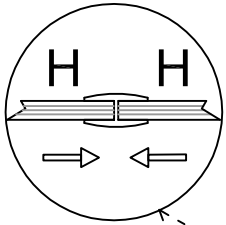
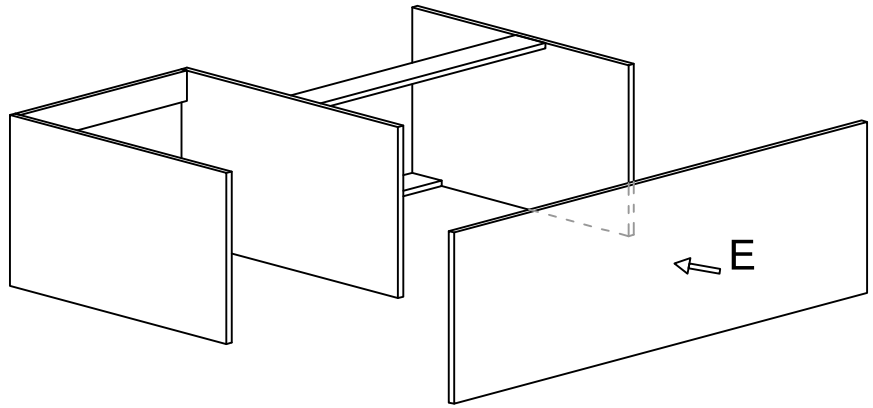
| | | |
|----|------------|-------|
| AG | 2x 311x 90 | 5/11 |
| AH | 141x397 | 5/11 |
| AI | 340x495 | 5/11 |
| AJ | 670x280 | 6/11 |
| AK | 670x280 | 6/11 |
| AL | 638x280 | 6/11 |
| AM | 1368x280 | 6/11 |
| AN | 1368x280 | 6/11 |
| AO | 768x280 | 6/11 |
| AP | 584x260 | 6/11 |
| AQ | 2x 332x797 | 7/11 |
| AR | 667x597 | 9/11 |
| AS | 343x1395 | 1/11 |
| AT | 323x1395 | 1/11 |
| AU | 630x280 | 8/11 |
| AV | 630x280 | 8/11 |
| AW | 568x280 | 8/11 |
| AX | 568x280 | 8/11 |
| AY | 625x597 | 9/11 |
| AZ | 625x595 | 9/11 |
| BA | 670x280 | 10/11 |
| BB | 670x280 | 10/11 |
| BC | 368x280 | 10/11 |
| BD | 368x280 | 10/11 |
| BE | 368x260 | 10/11 |
| BF | 667x397 | 11/11 |
| BG | 665x395 | 11/11 |
| BH | 1400x100 | 1/11 |
| BI | 600x100 | |
| BJ | 400x100 | |
| BK | 2x 540x100 | |

| | | | | | | | |
|---|--|--|---|---|---|--|---|
| 88x  10174 | 110x  Φ 8/30 10013 | 88x  50317 | 12x  20282 | 16x  40158 | 4x  L= 400mm 50957 | 2x  50339 | 12x  50332 |
| 14x  50041 | 11x  50103 | 7x  50108 | 7x  10060 | 7x  Φ 6/80 10021 | 8x  M4x14 10037 | 4x  50062 |  10033 |
| 10x  M 4/12 10067 | 4x  M 4/35 10053 | 162x  Φ 3,5/16 10001 | 81x  Φ 3,5/20 10002 | 30x  Φ 3,5/30 10004 | | | |

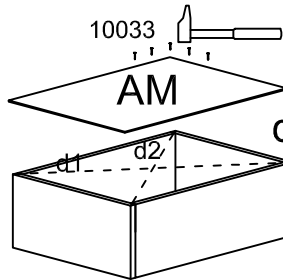
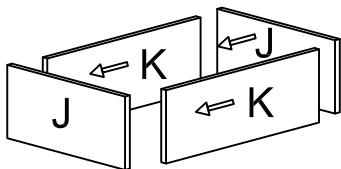
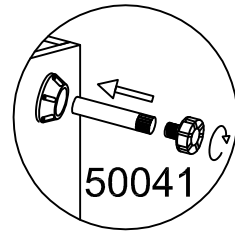
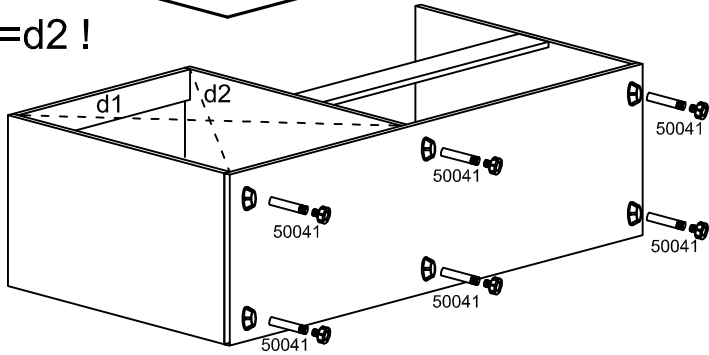


1

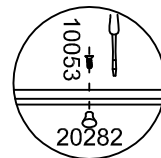
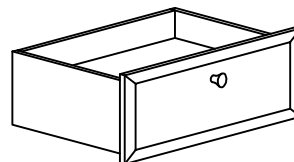
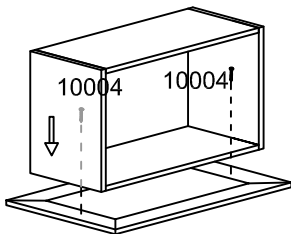
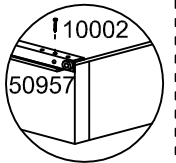
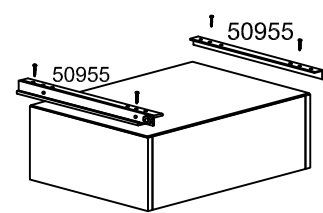


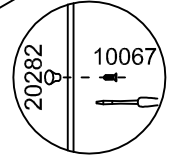
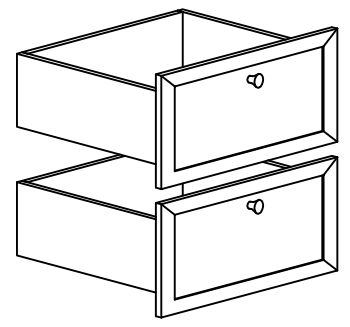
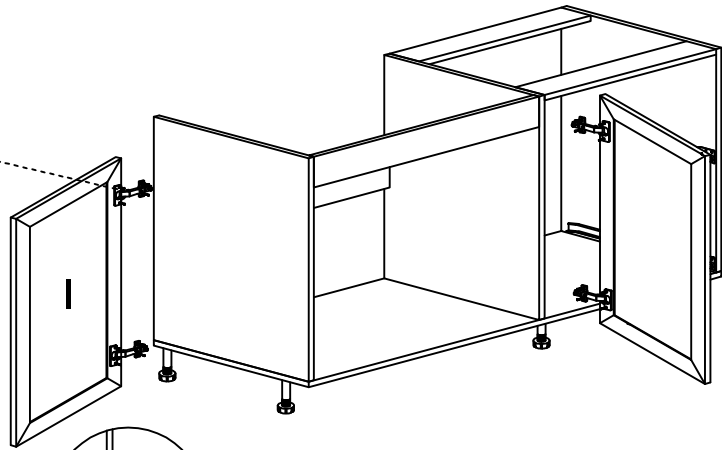
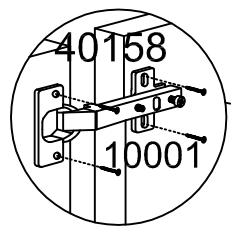


d1=d2 !

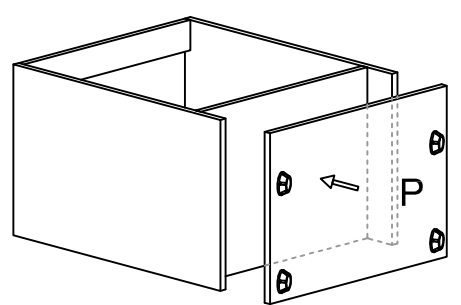
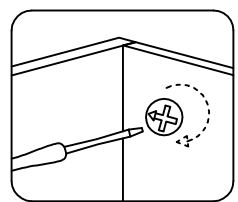
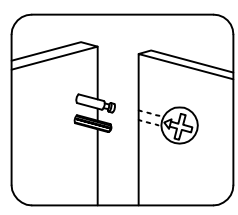
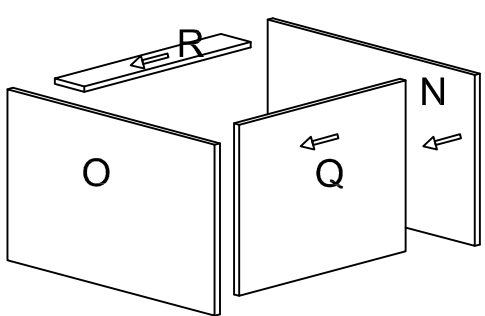
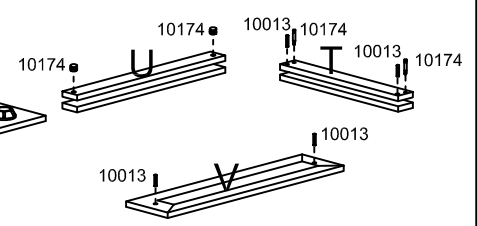
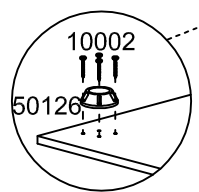
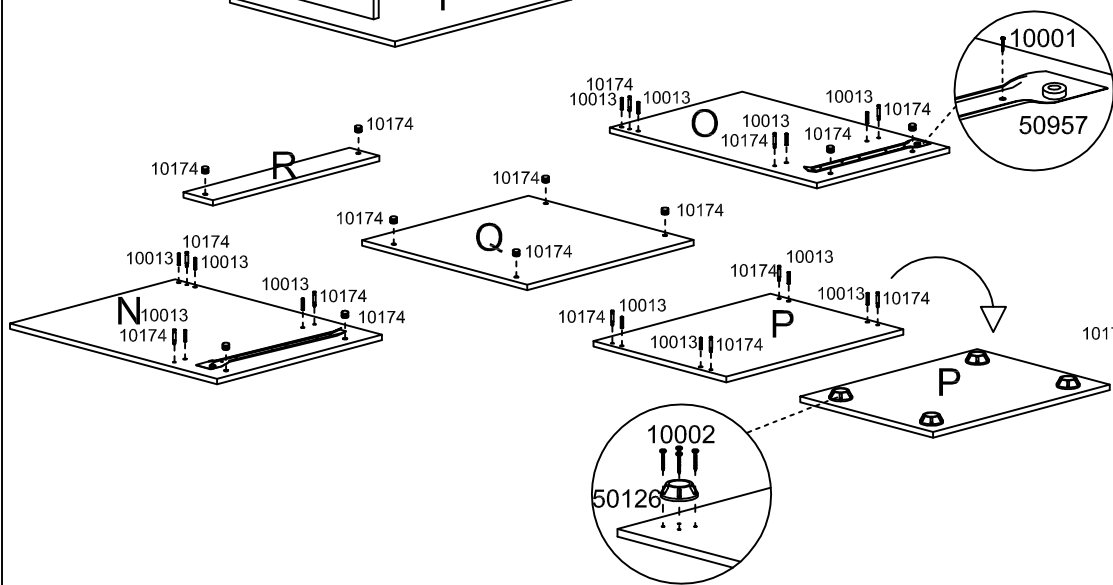
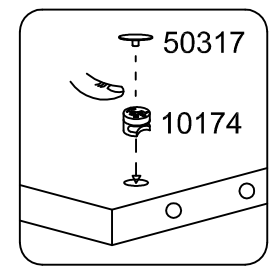
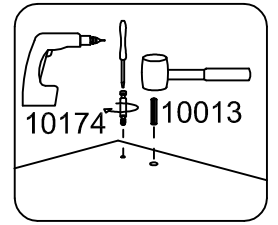
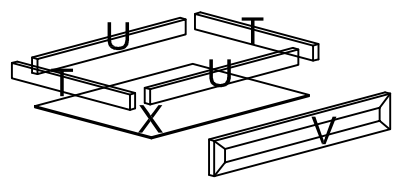
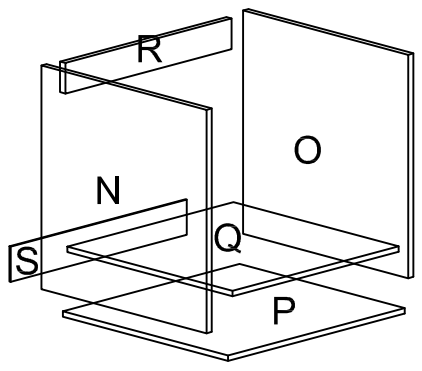


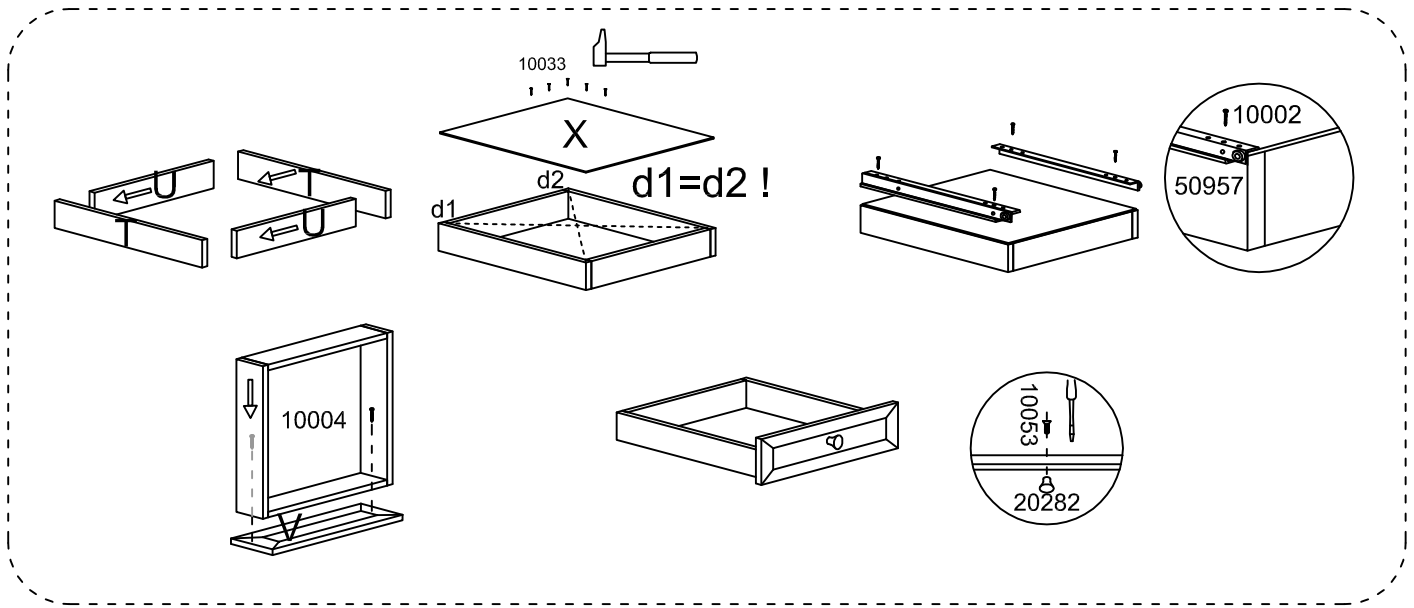
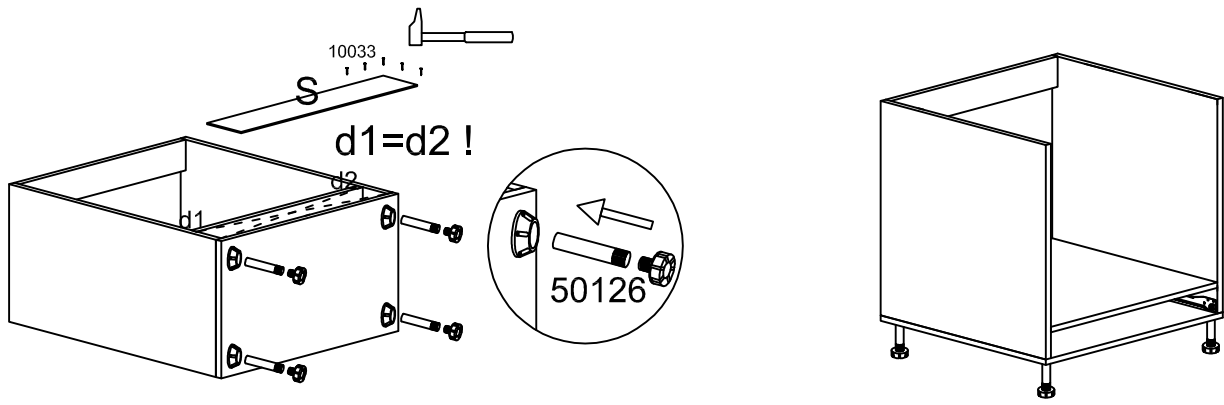
d1=d2 !



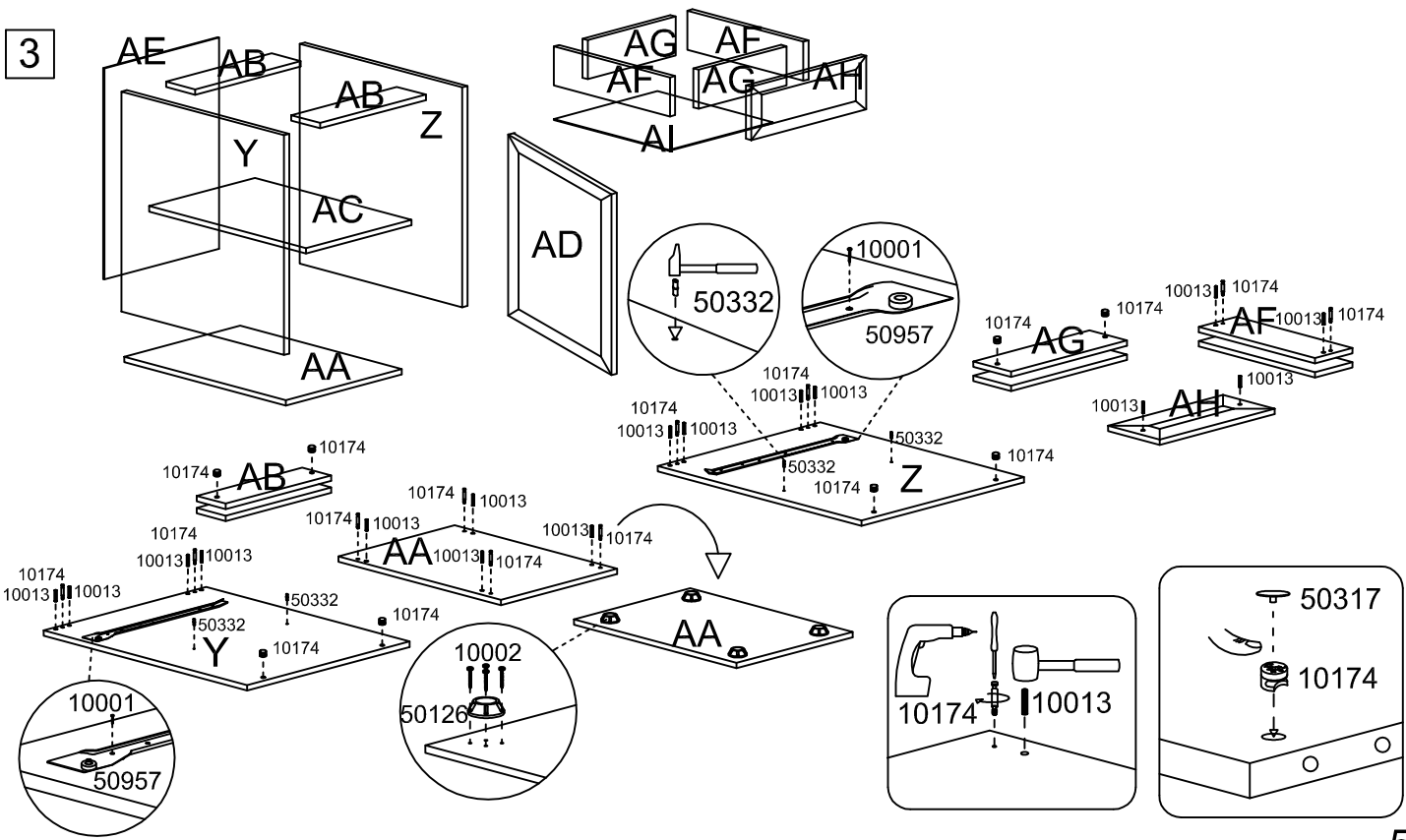


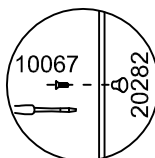
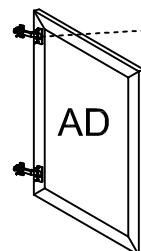
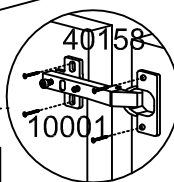
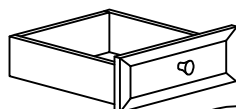
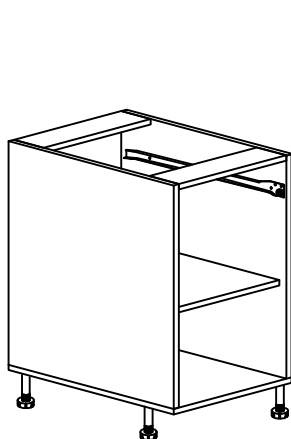
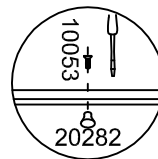
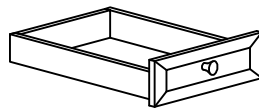
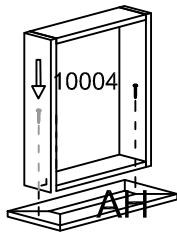
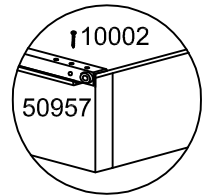
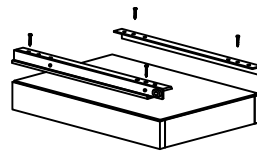
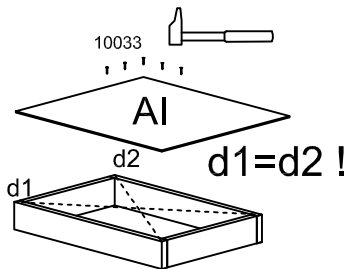
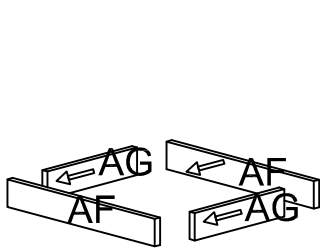
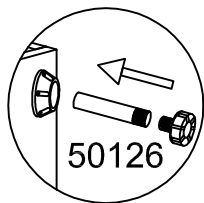
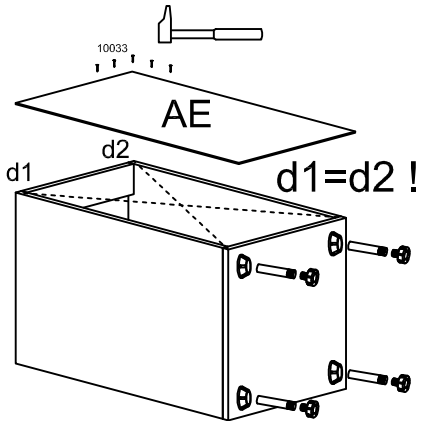
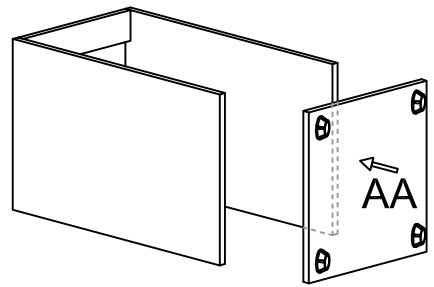
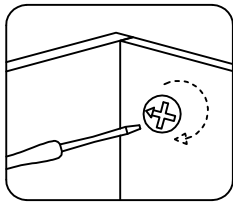
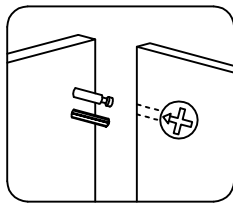
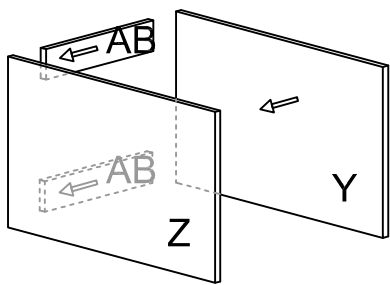
2



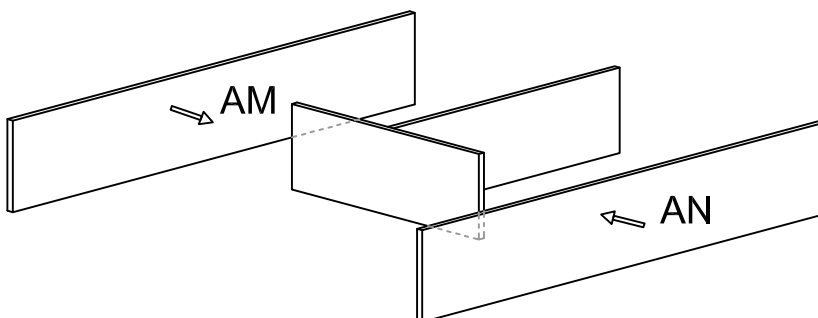
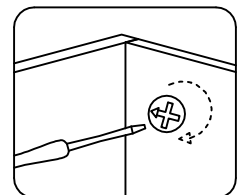
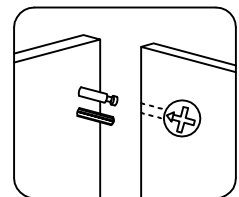
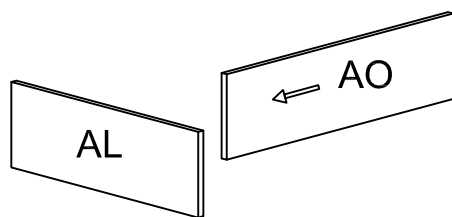
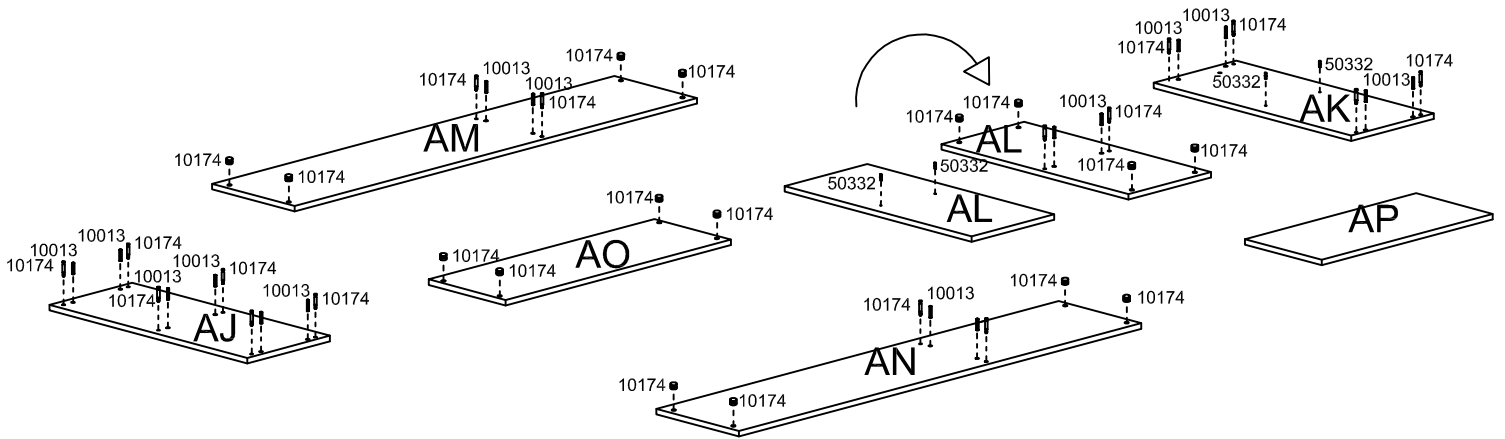
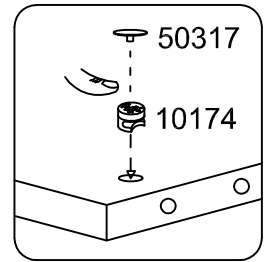
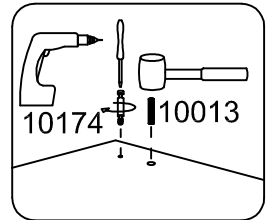
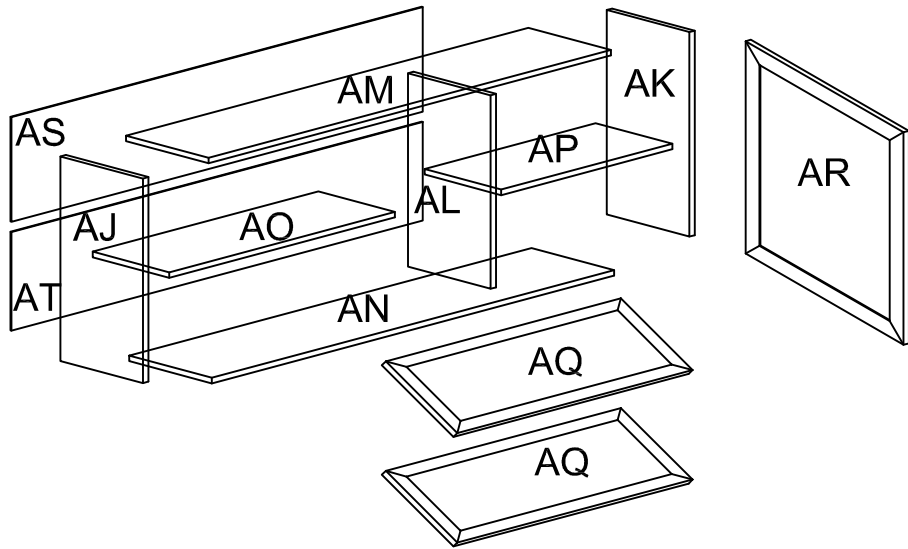


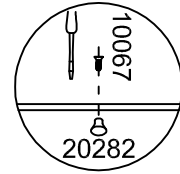
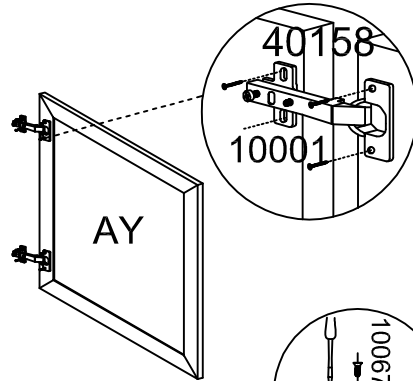
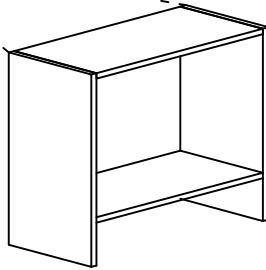
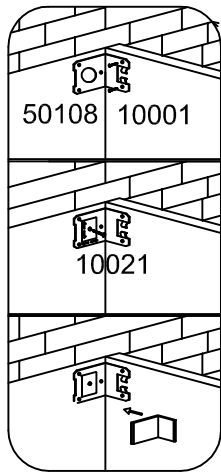
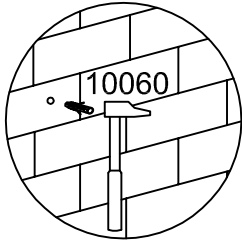
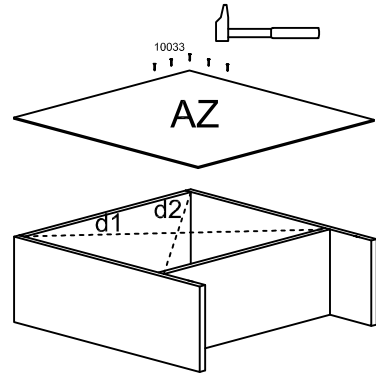
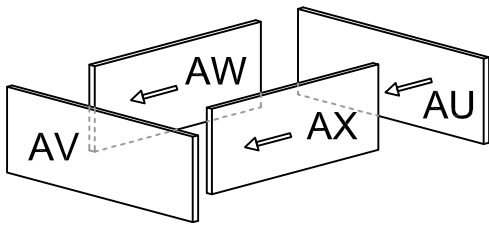
3





4





6

