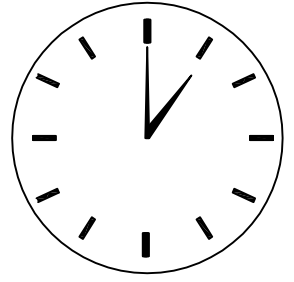
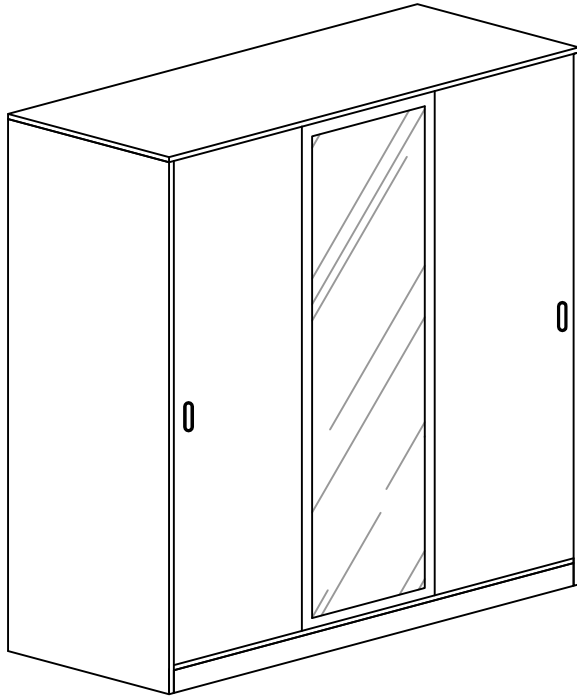
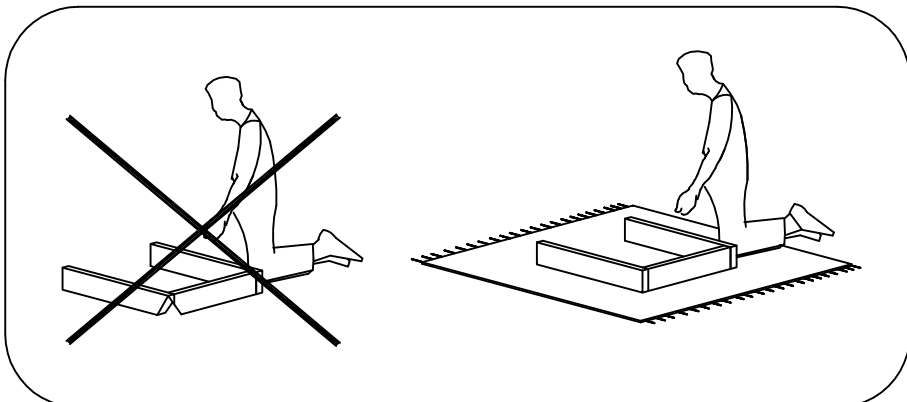
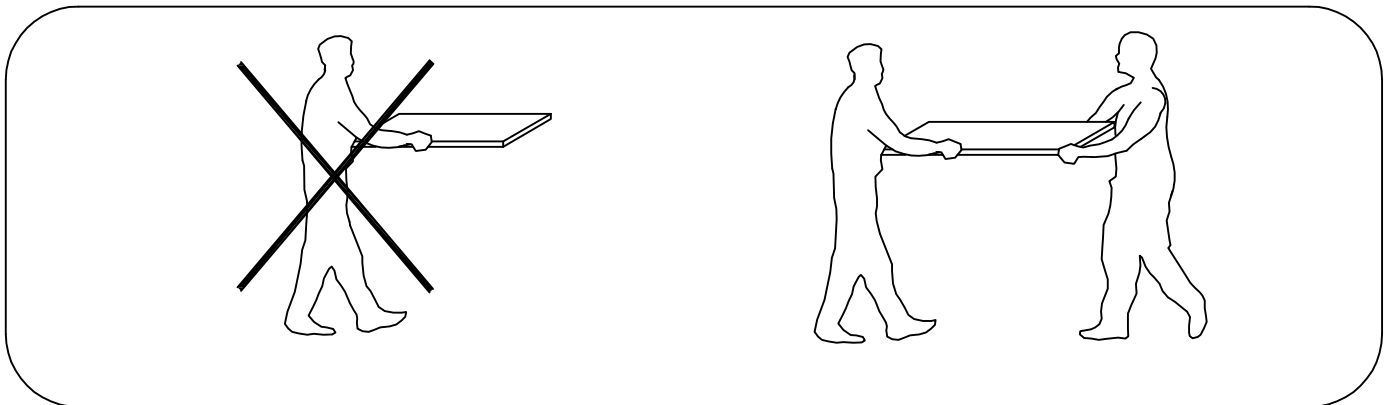
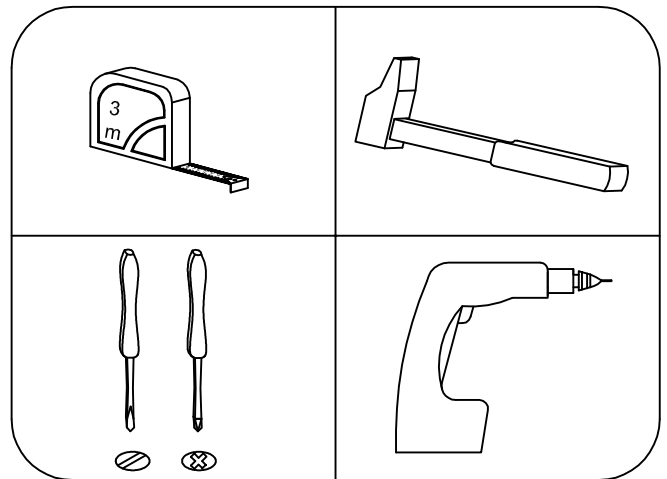
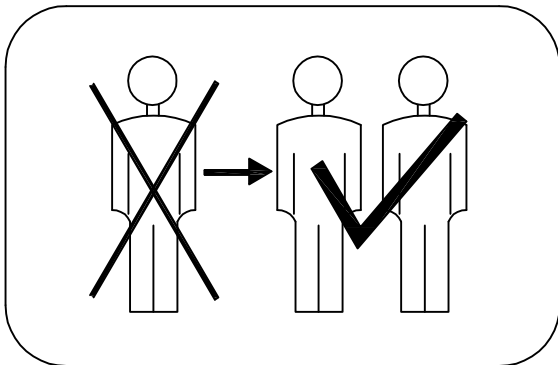


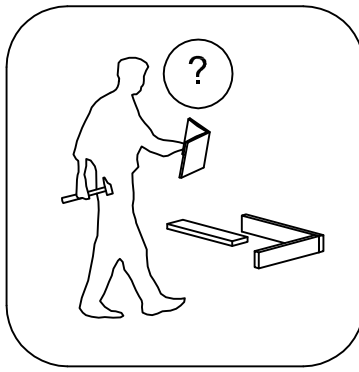
# City 1006

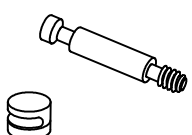

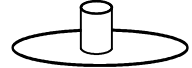

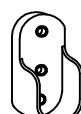
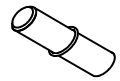
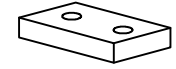
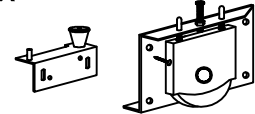
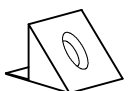

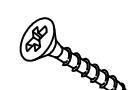
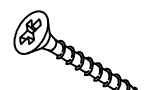

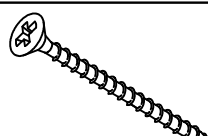
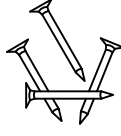


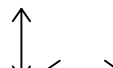
2 h.




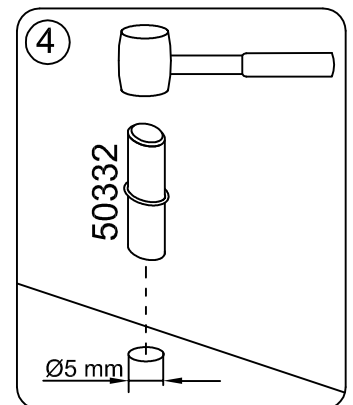
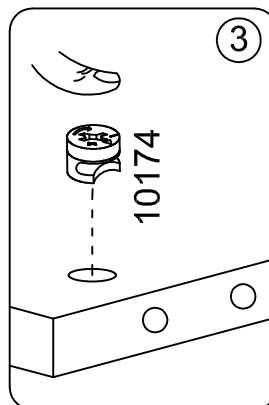
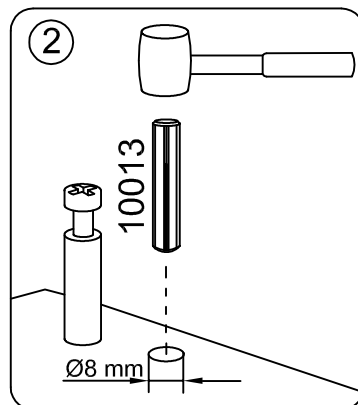
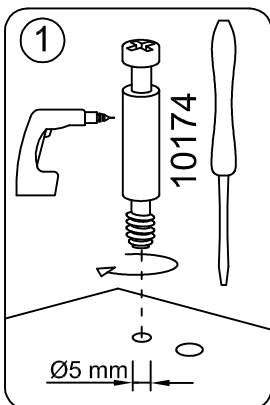
<http://www.irimbg.com/instructions/>



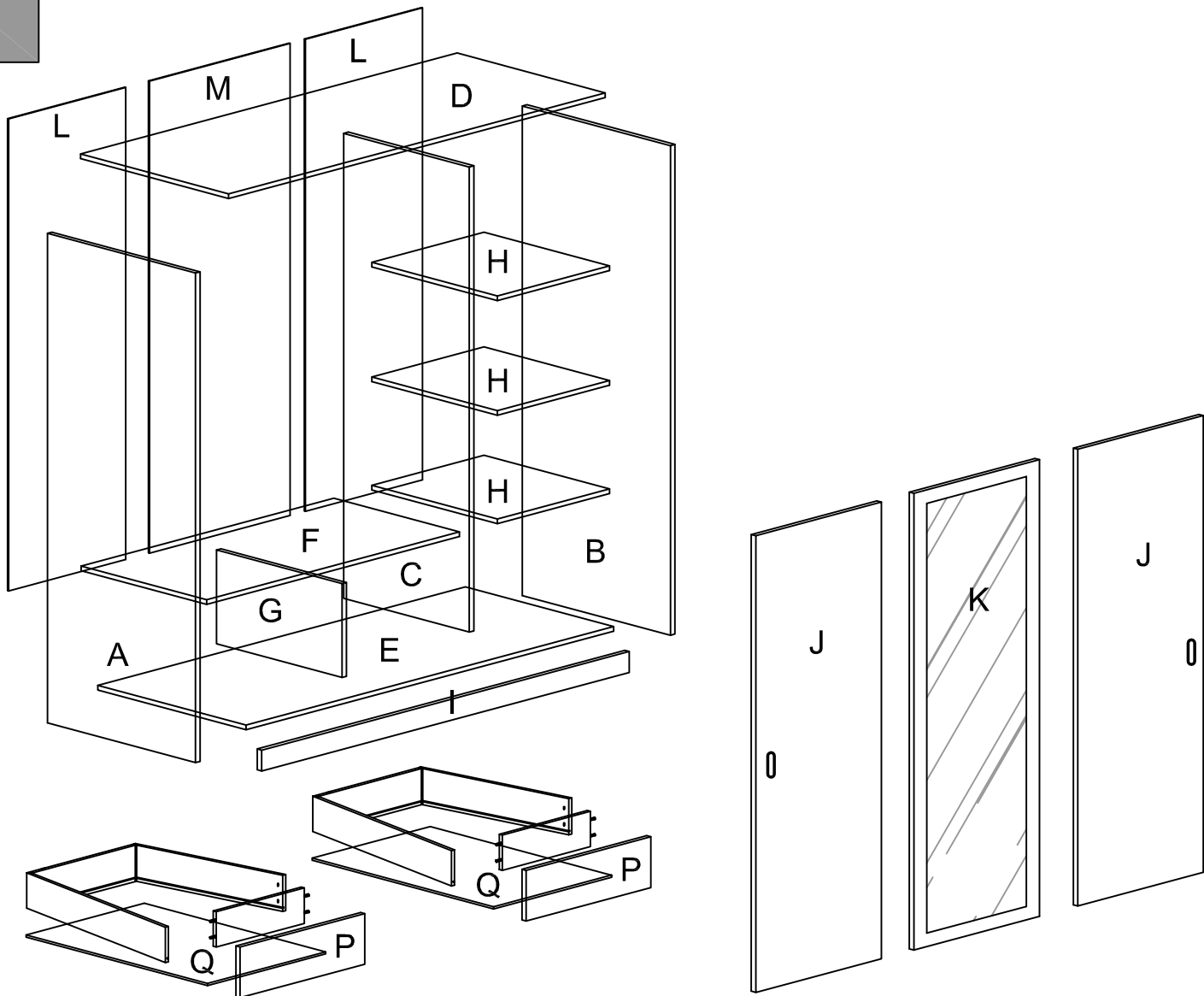
20x  10174	30x  10013	20x  50317	2x  L 450 mm 50956
2x  50011	12x  50332	8x  50249	3x  50657
4x  50505	16x  $\phi$ 3/16 10022	100x  $\phi$ 3,5/16 10001	16x  $\phi$ 3,5/20 10002
4x  $\phi$ 3,5/25 10003	2x  $\phi$ 3,5/30 10004	 10033	

		Box number
A	1884x590	1/5
B	1884x590	1/5
C	500x1788	5/5
D	1500x590	2/5
E	1468x590	2/5
F	1006x500	3/5
G	500x361	3/5

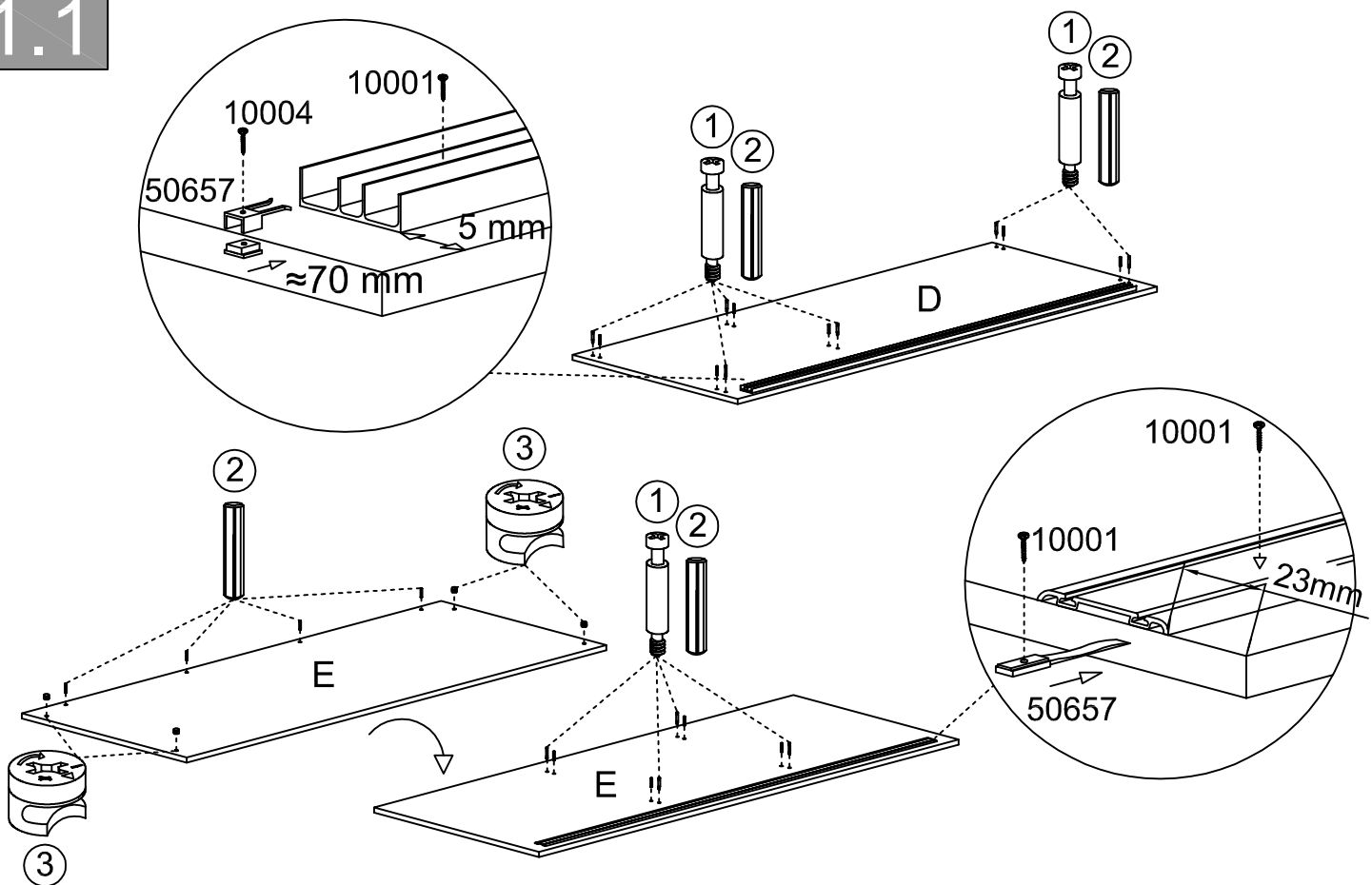
		Box number
H	3x 500x446	3/5
I	1468x80	2/5
J	2x 1755x500	4/5
K	1755x500	5/5
L	2x 1815x467	1/5
M	1815x560	1/5
P	2x 140x440	3/5
Q	2x 435x406	2/5

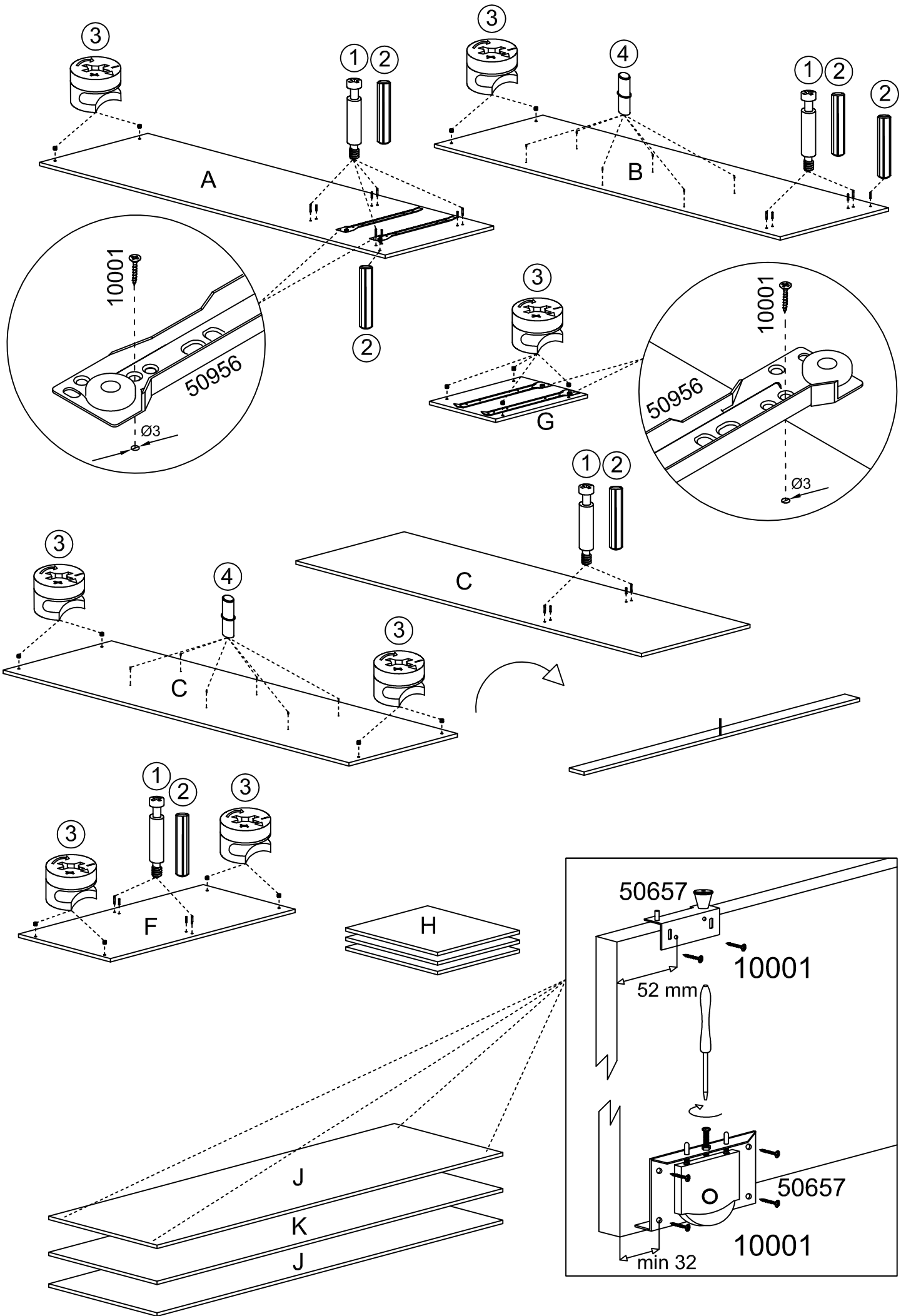


1

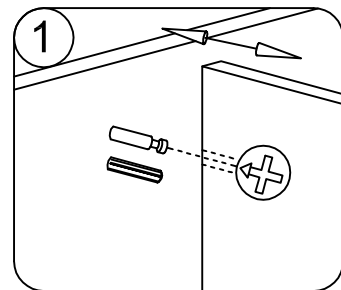
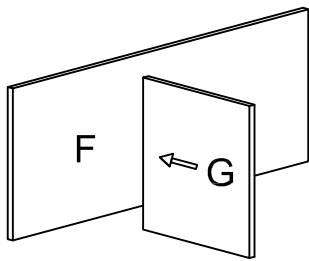


1.1

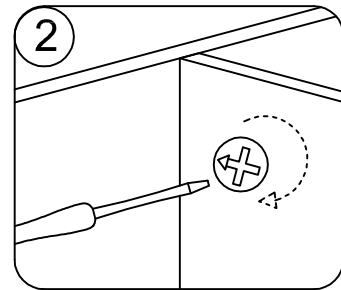
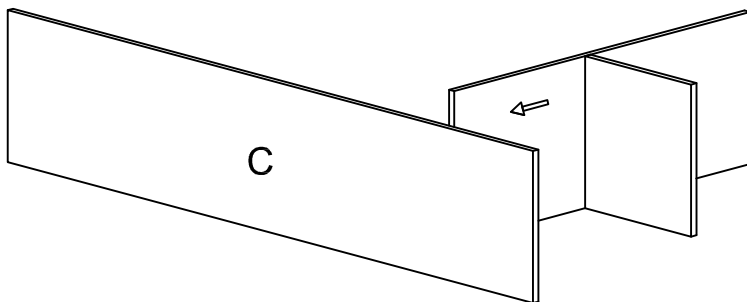




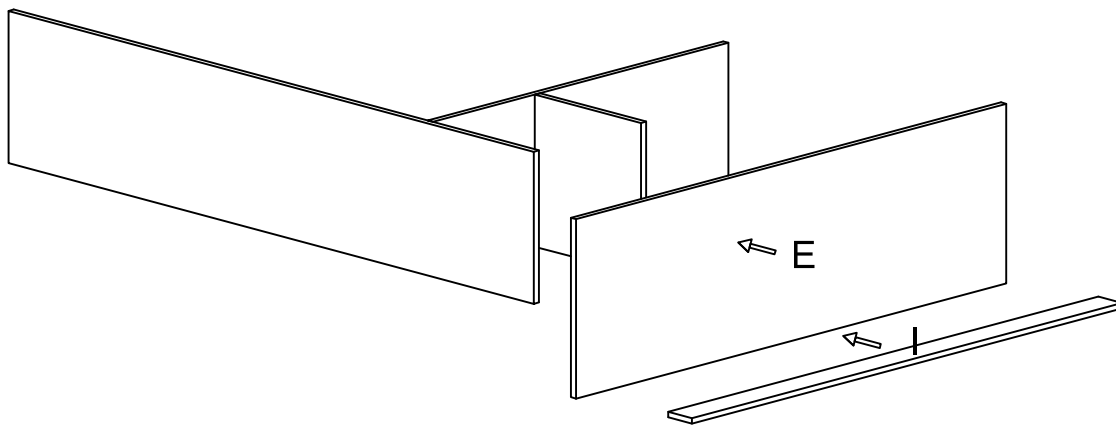
1.2



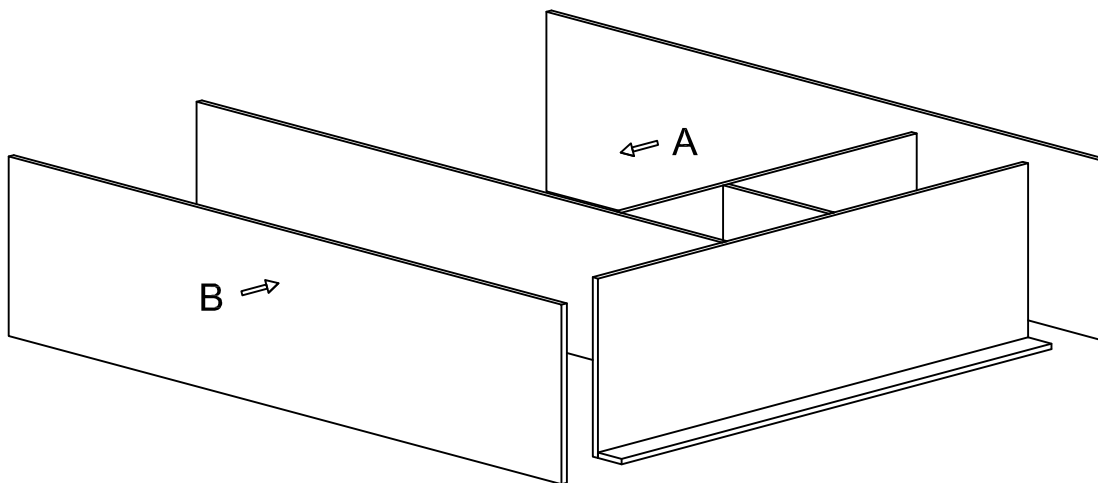
1.3



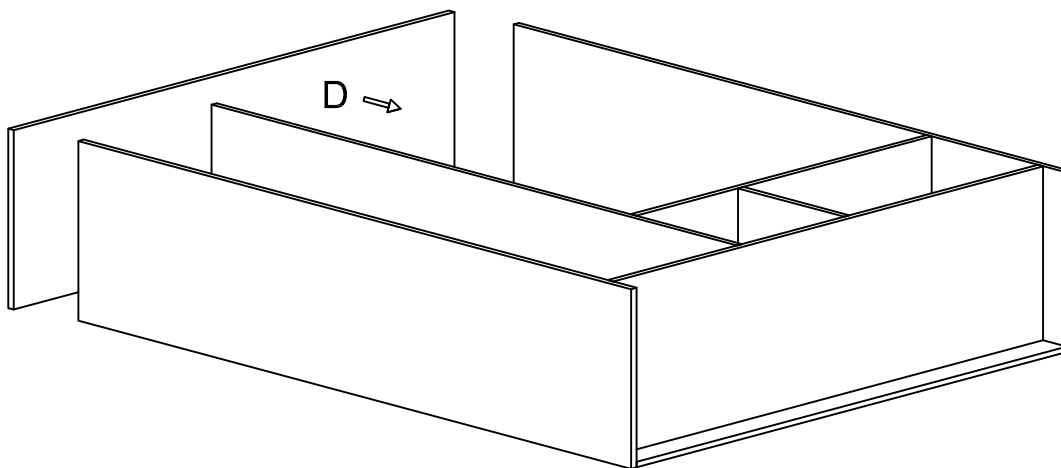
1.4



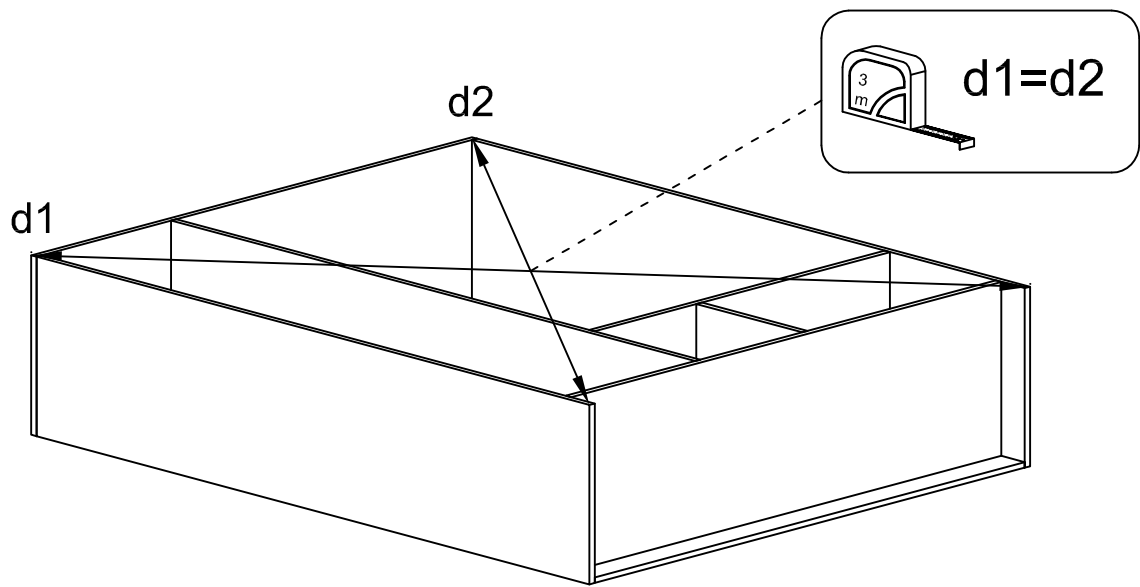
1.5



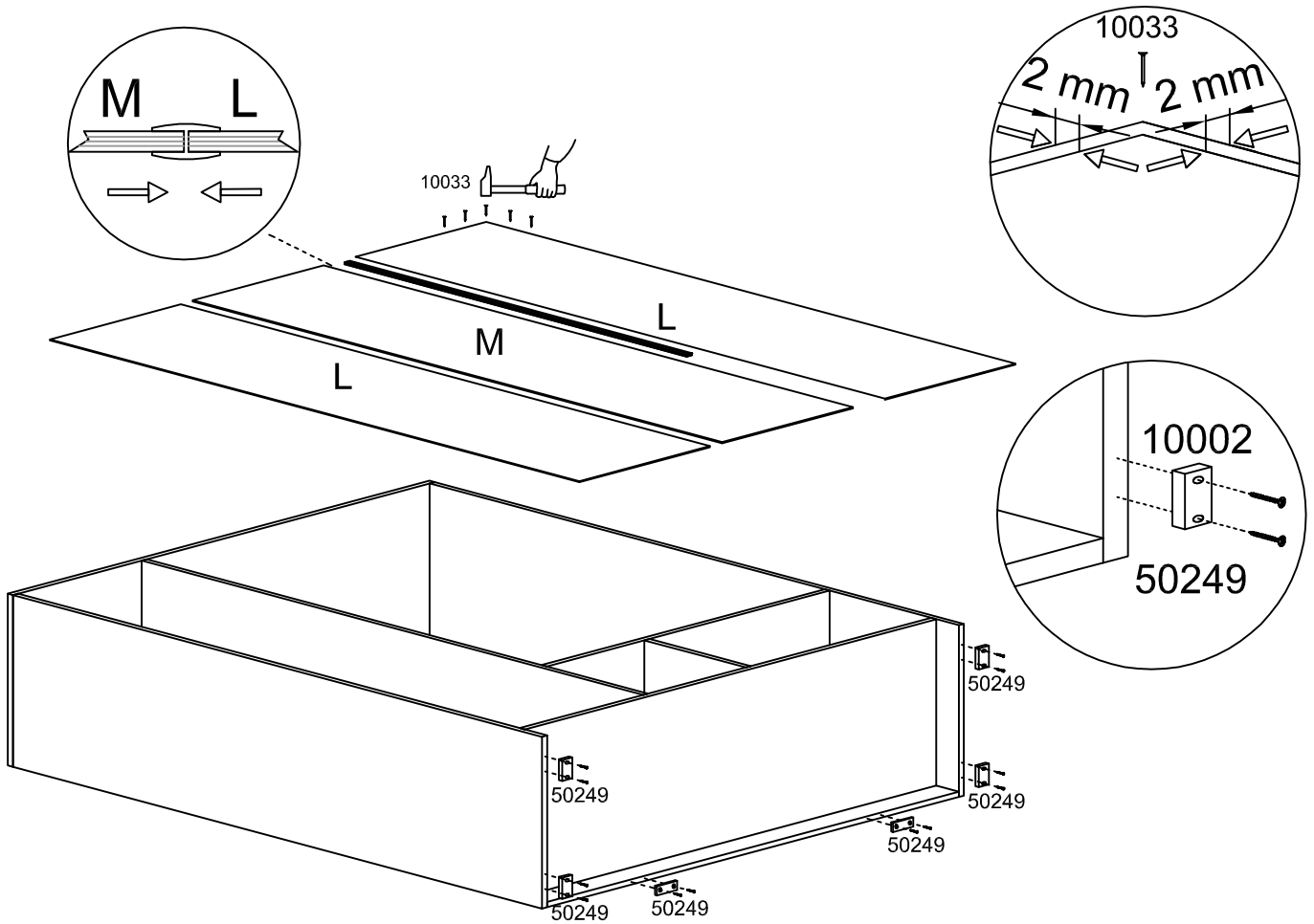
1.6



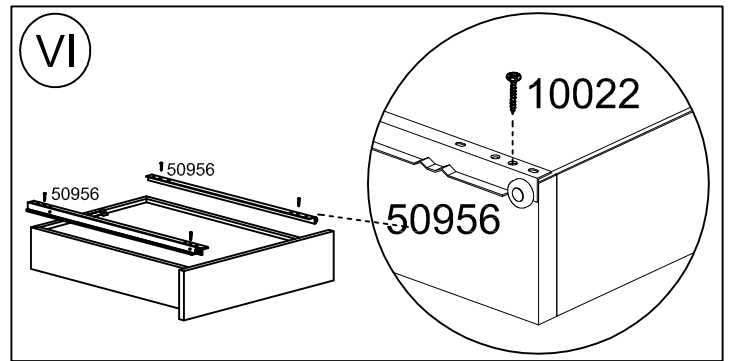
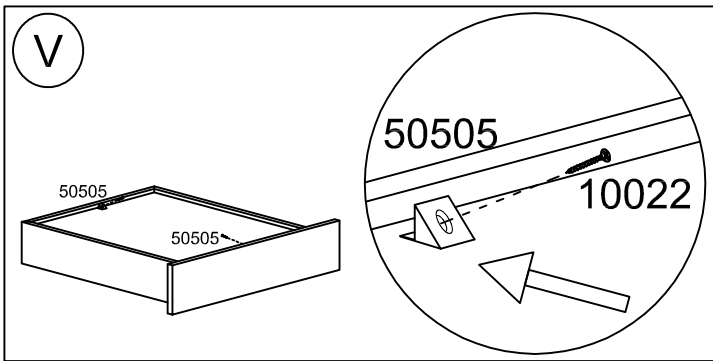
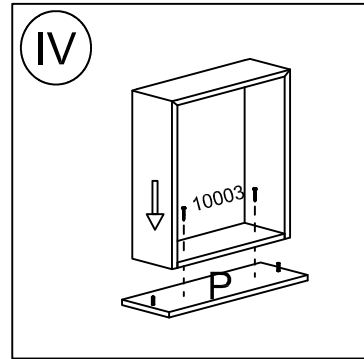
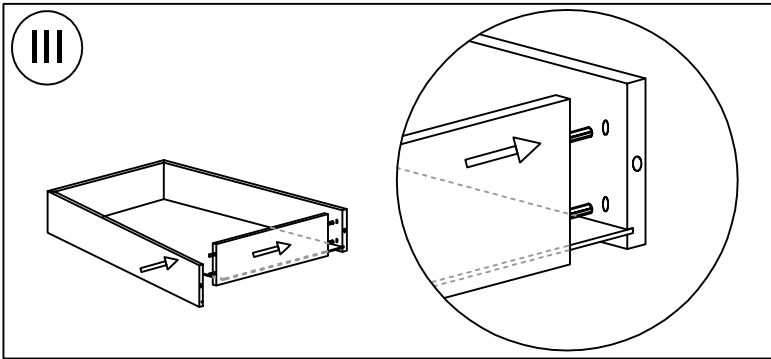
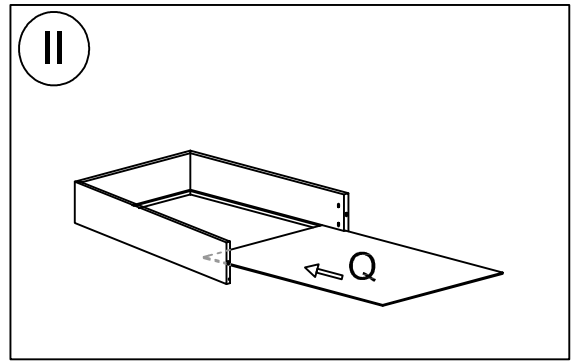
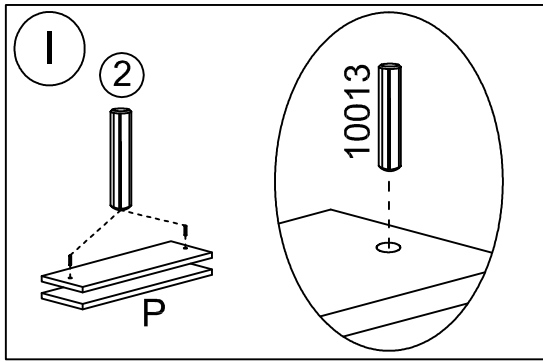
1.7



1.8



# 1.9



# 4.10

