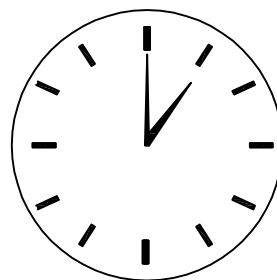
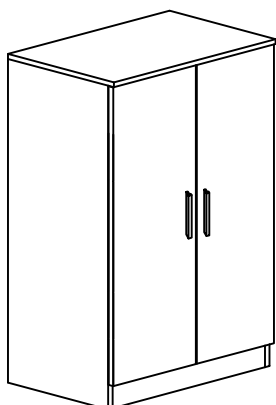
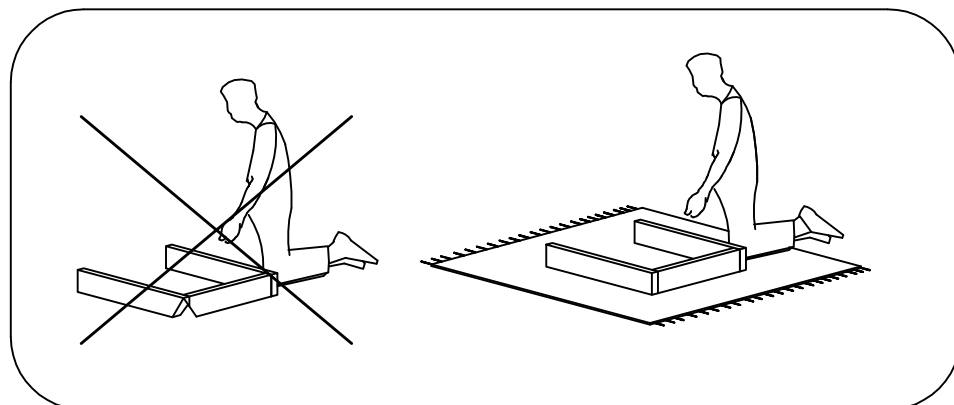
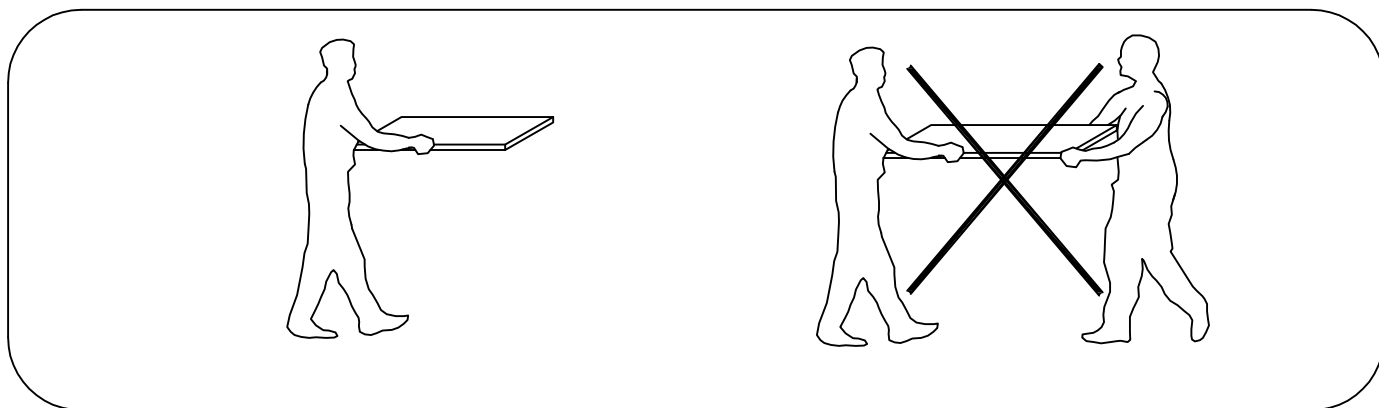
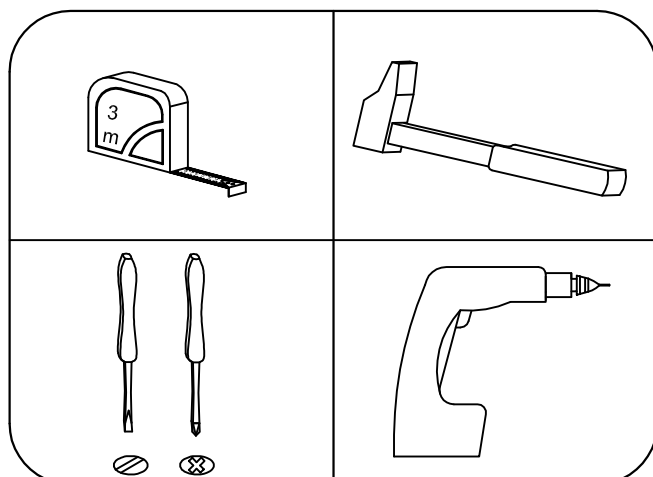
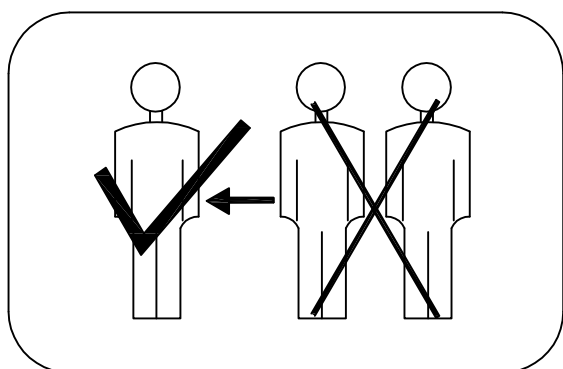


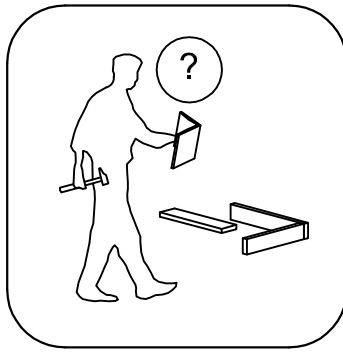
Efi

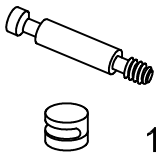
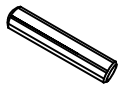
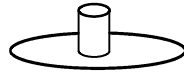
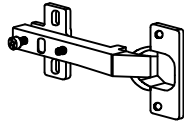
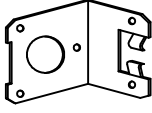
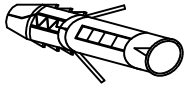
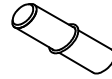
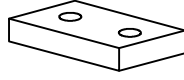

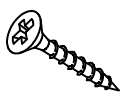
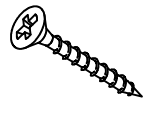
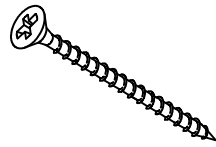
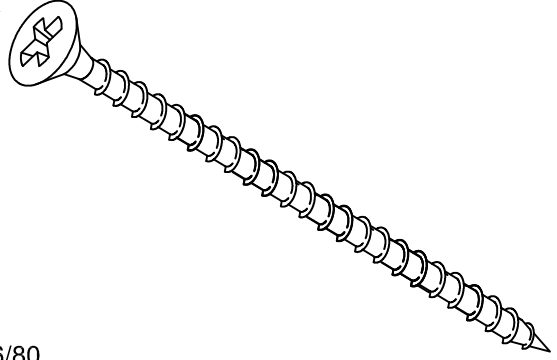



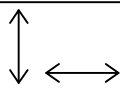
40 min.

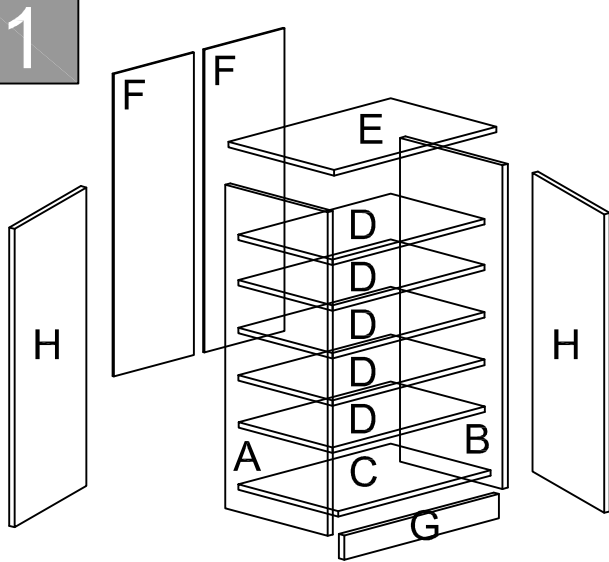
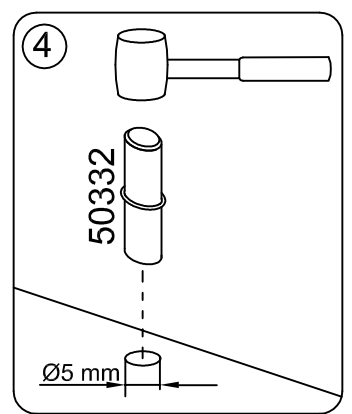
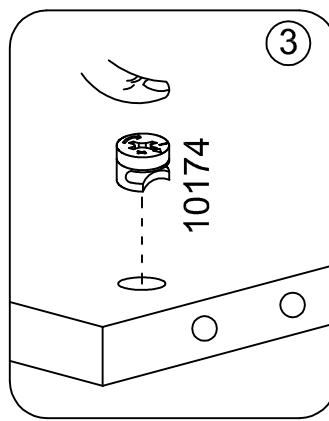
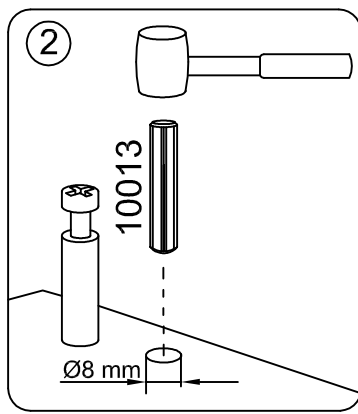
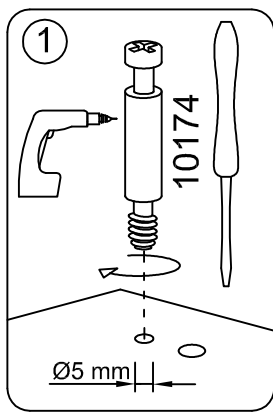


<http://www.irimbg.com/instructions/>

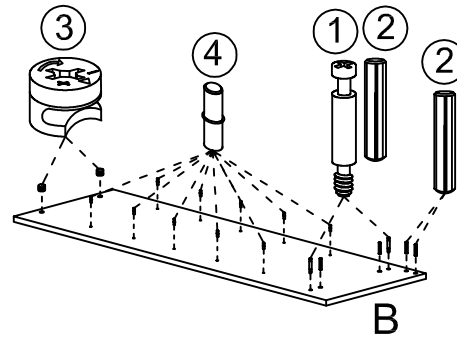
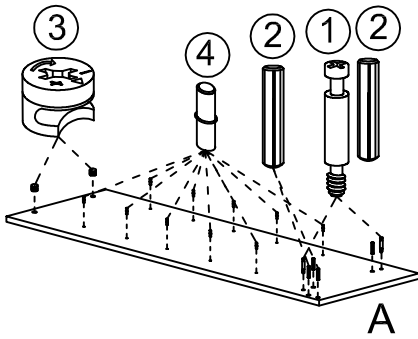
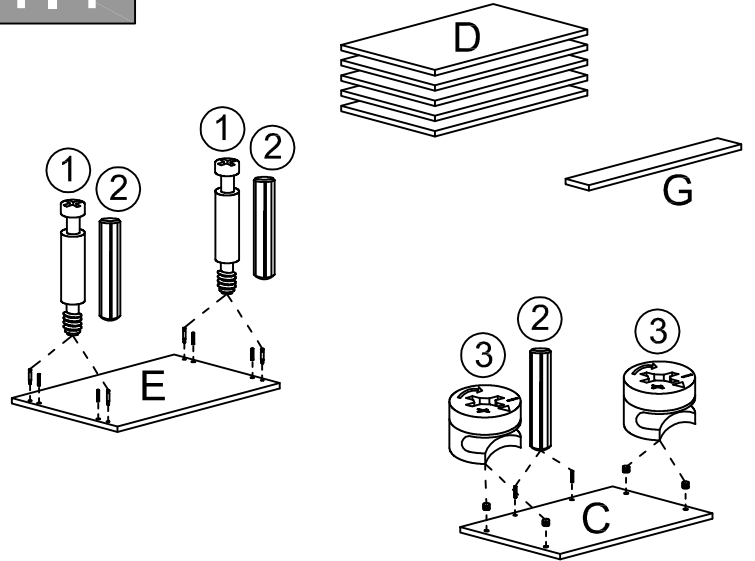


8x  10174	14x  Φ 8/30 10013	8x  50317	4x  40158
2x  51066	2x  10060	22x  50332	4x  50249
2x  20108	21x  Φ 3,5/16 10001	8x  Φ 3,5/20 10002	4x  Φ 4/30 10006
2x  Φ 6/80 10021	 10033		

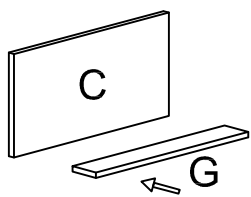
		Box number
A	1064x340	1/3
B	1064x340	1/3
C	518x340	2/3
D	5x 518x320	1,2/3
E	552x360	2/3
F	2x 995x272	1/3
G	518x80	1/3
H	2x 981x272	3/3



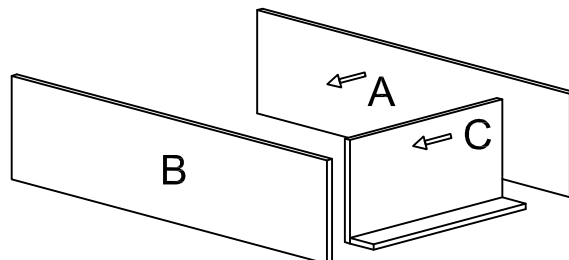
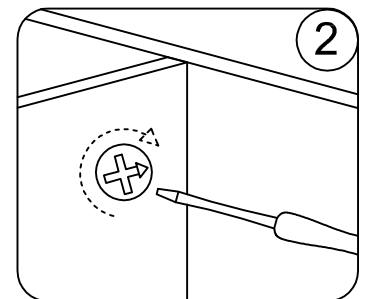
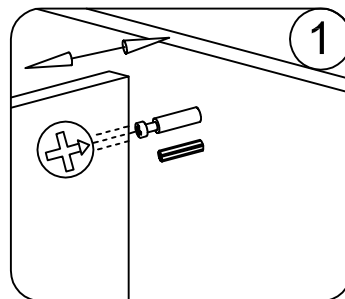
1.1



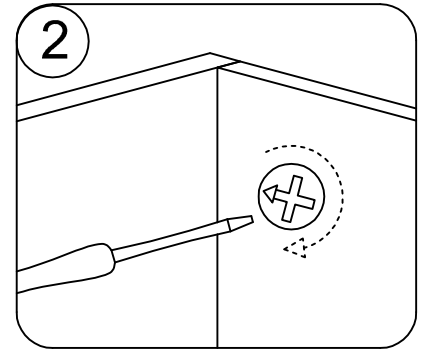
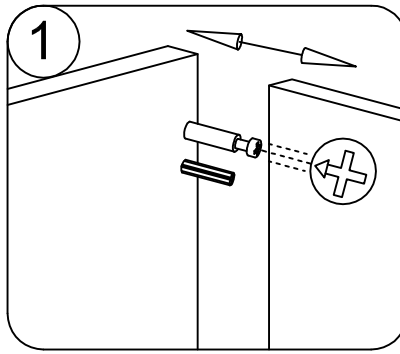
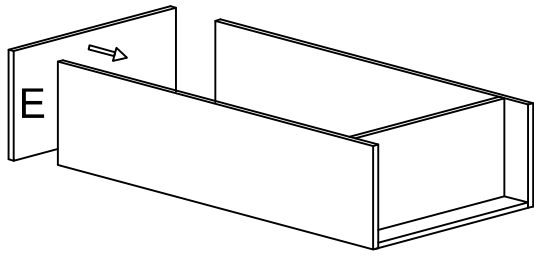
1.2



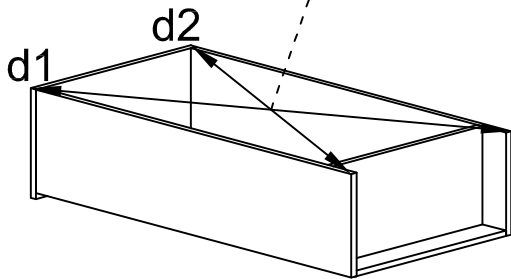
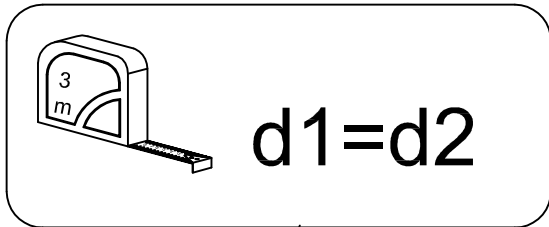
1.3



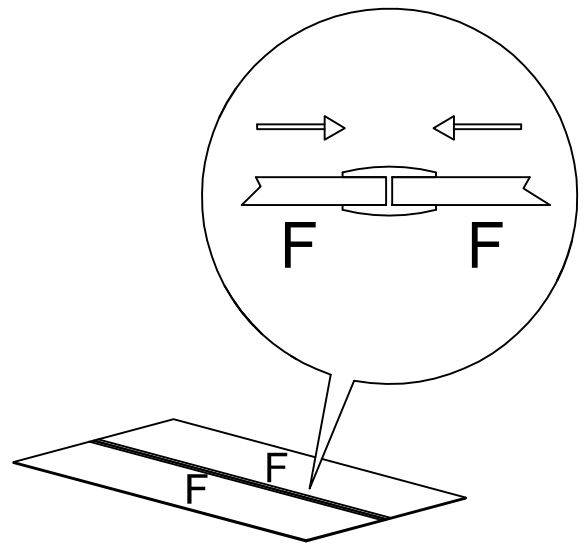
1.4



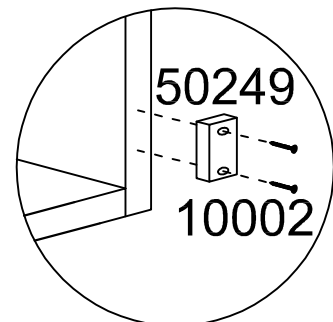
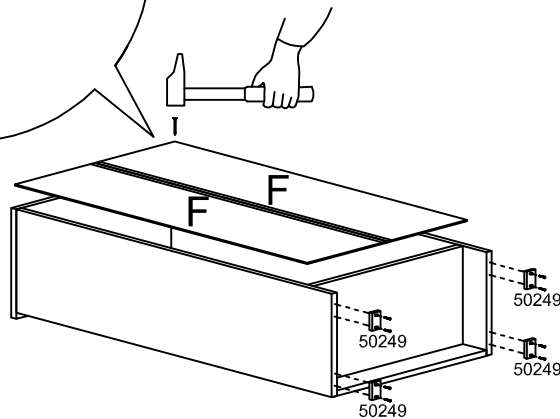
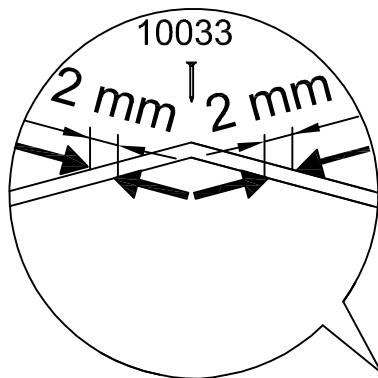
1.5



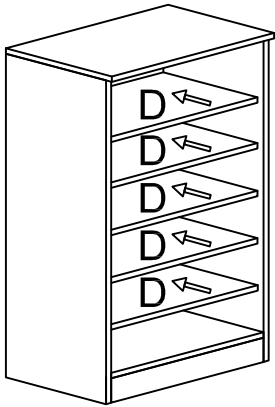
1.6



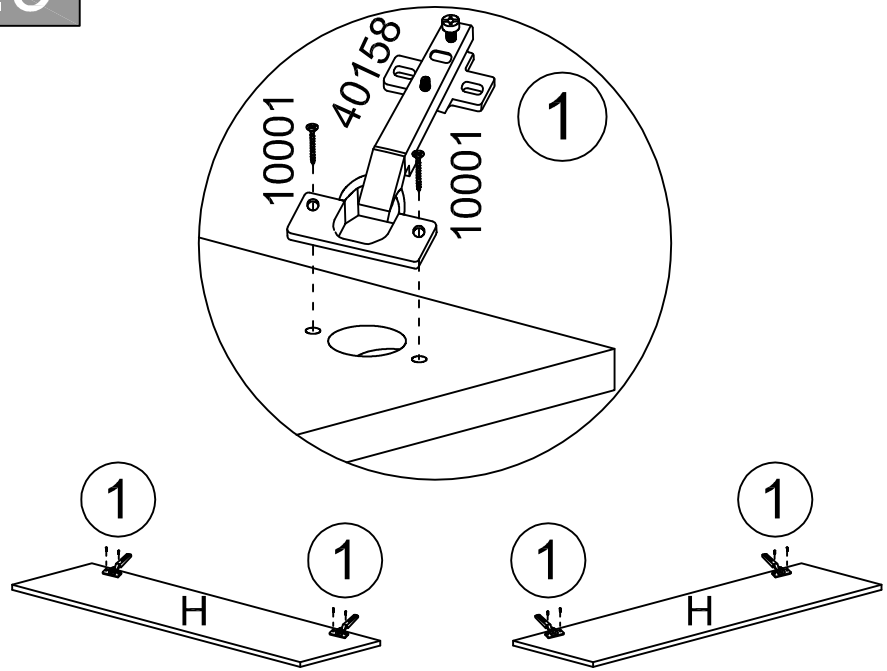
1.7



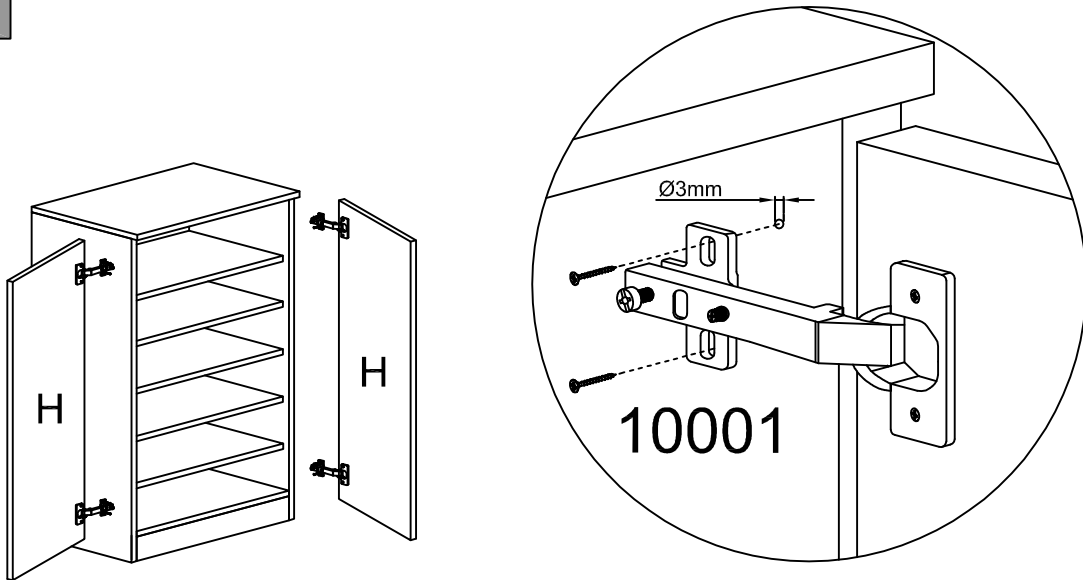
1.8



1.9



1.10



1.11

