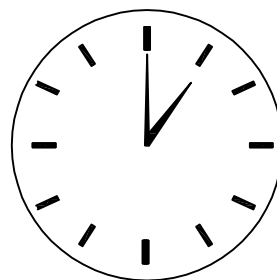
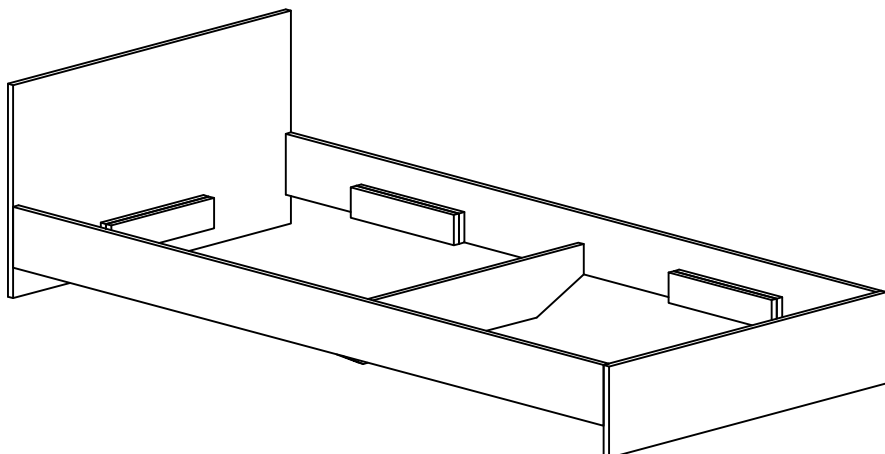
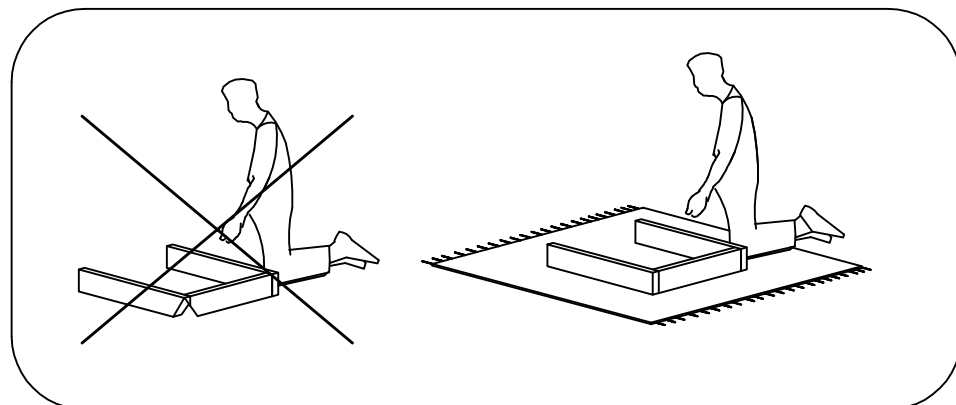
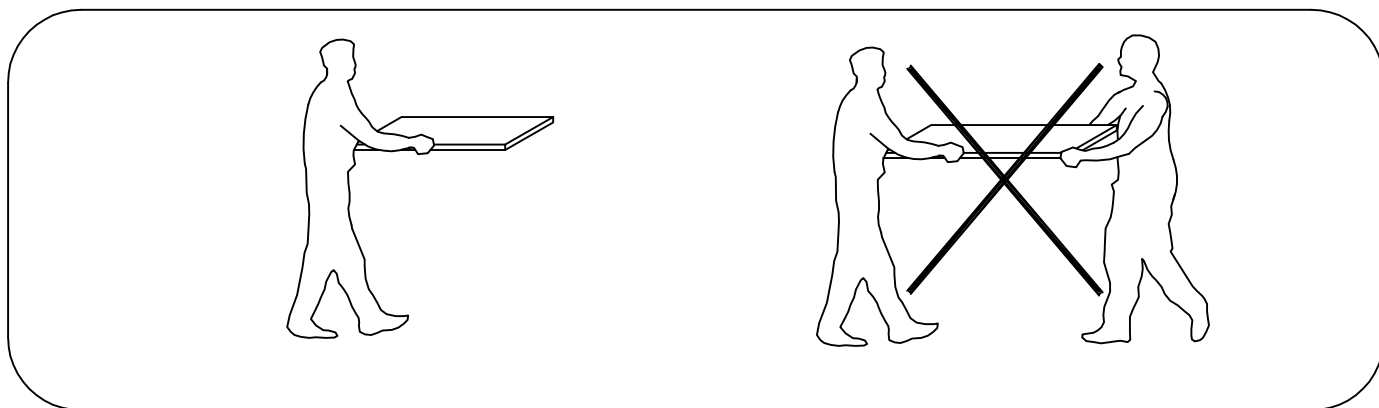
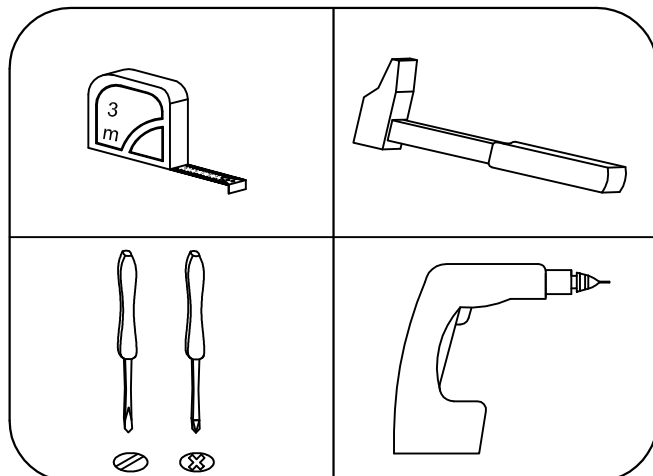
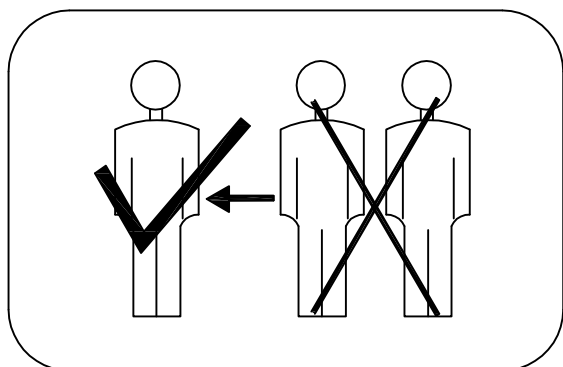


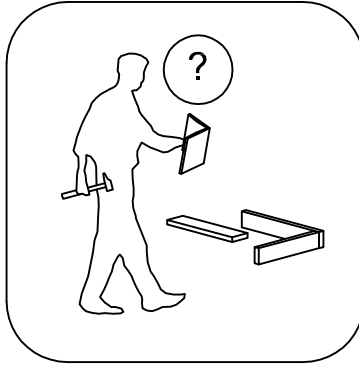
# City 2006

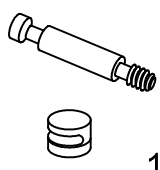
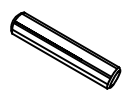
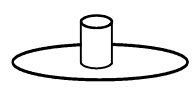
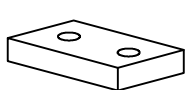
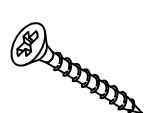
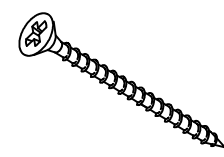


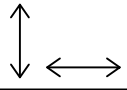
60 min.

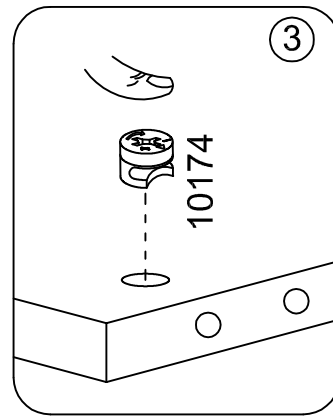
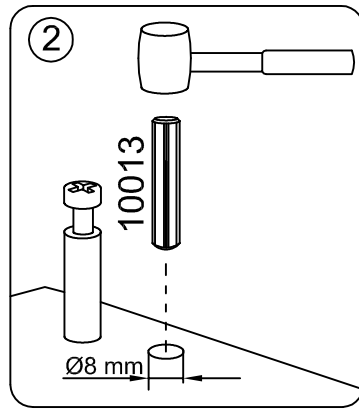
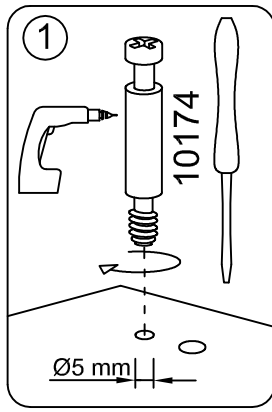


<http://www.irimbg.com/instructions/>

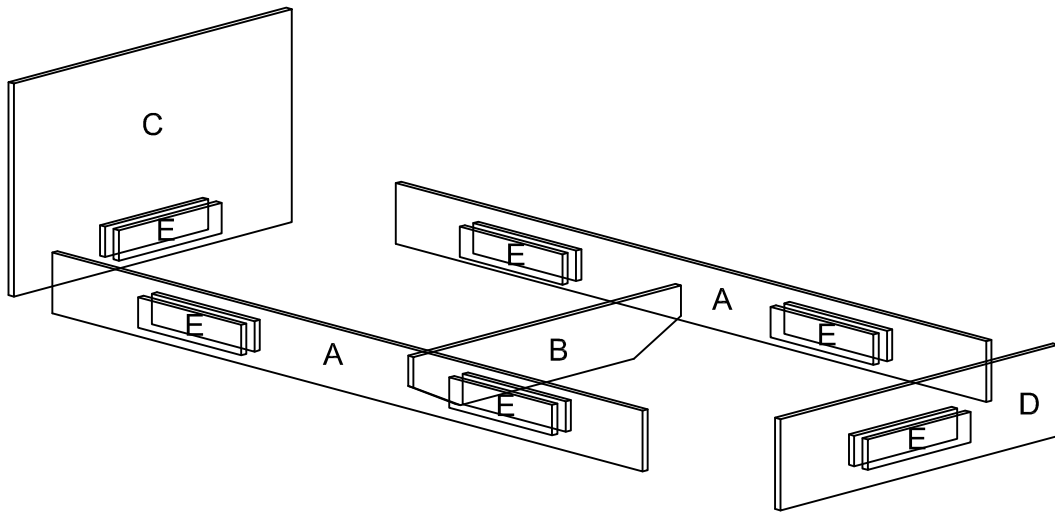


10x  10174	12x  $\Phi$ 8/30 10013	10x  50317	6x  50246
12x  $\Phi$ 3,5/20 10002	25x  $\Phi$ 3,5/30 10004		

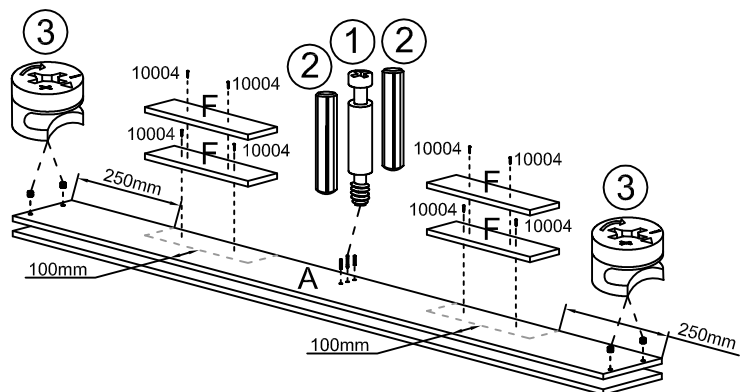
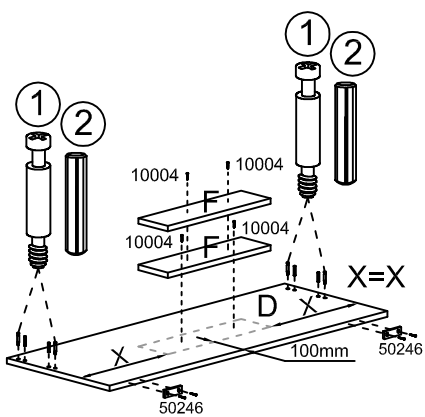
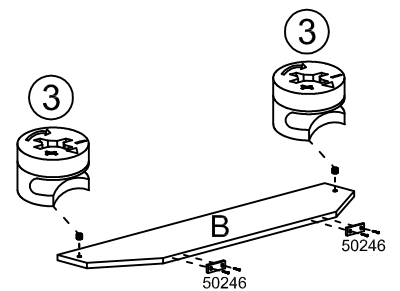
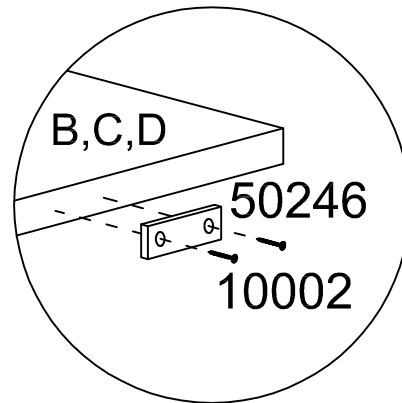
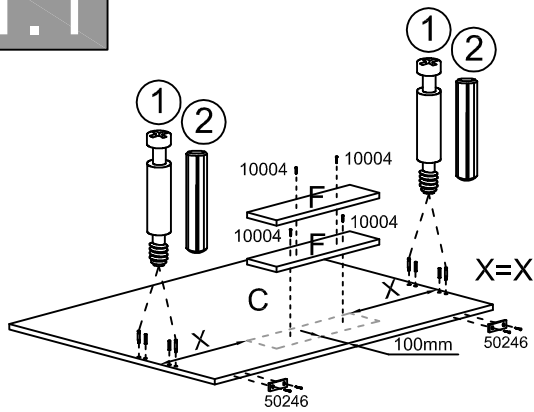
		Box number
A	2x 2010x200	1/2
B	910x200	1/2
C	942x700	2/2
D	942x350	2/2
E	12x350x100	1,2/2



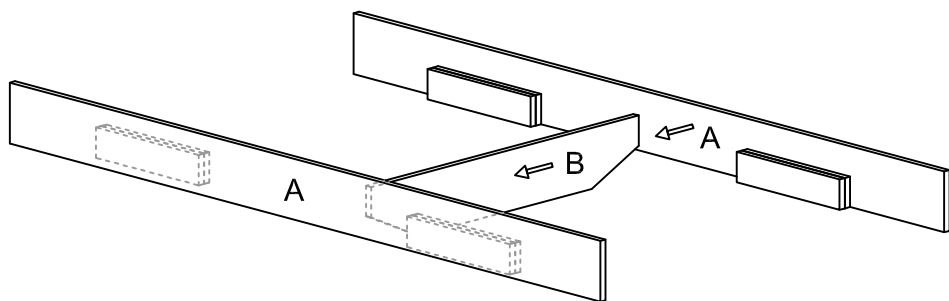
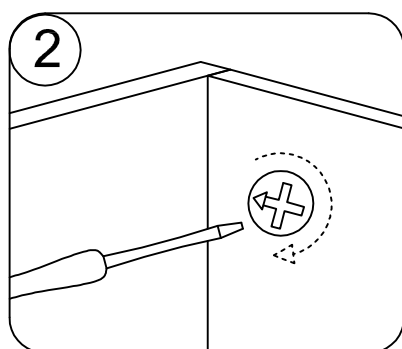
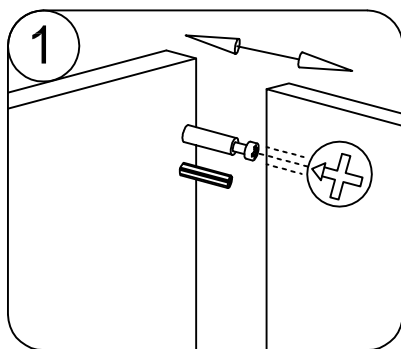
1



1.1



# 1.2



# 1.3

