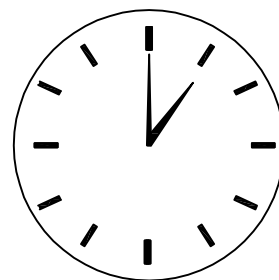
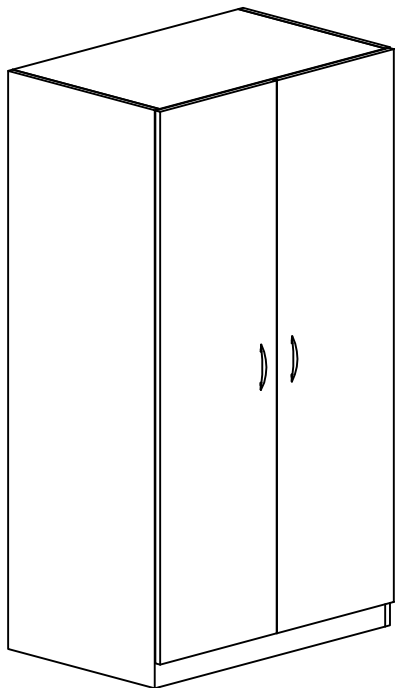
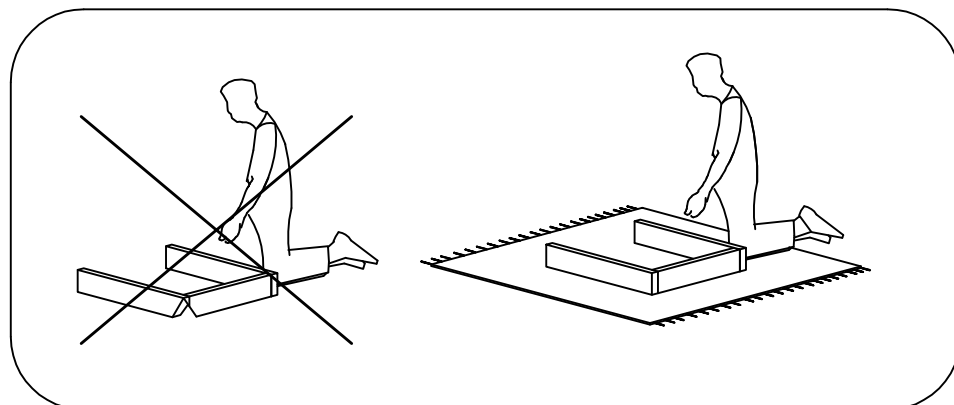
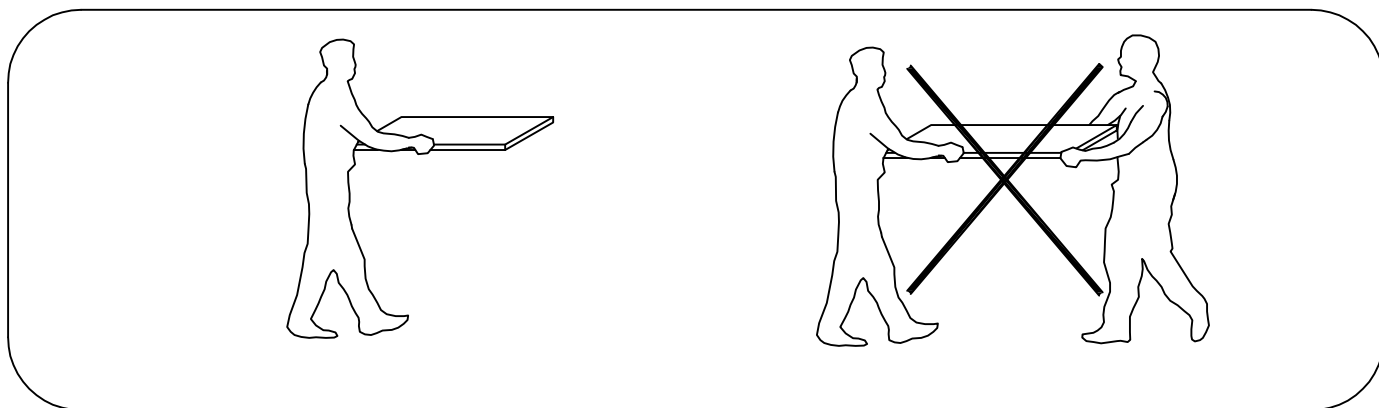
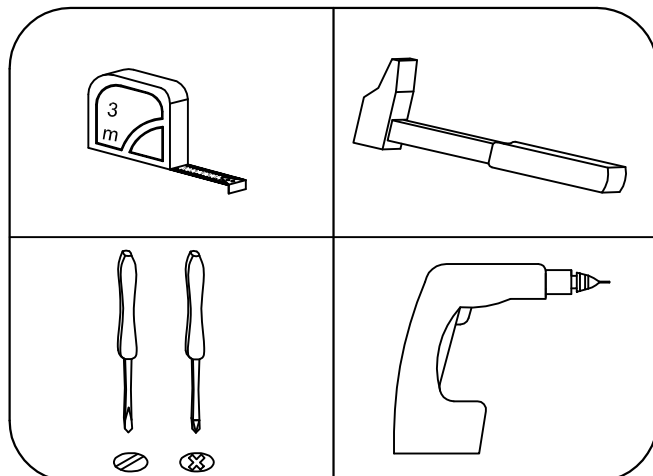
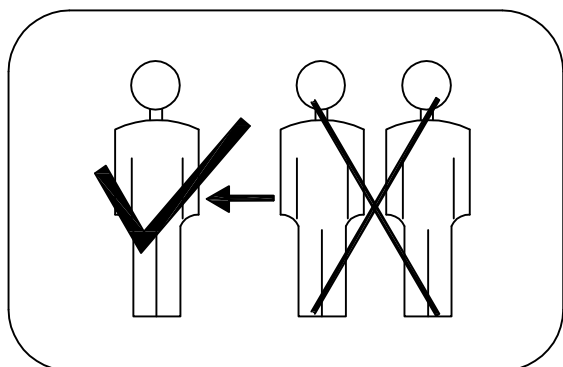


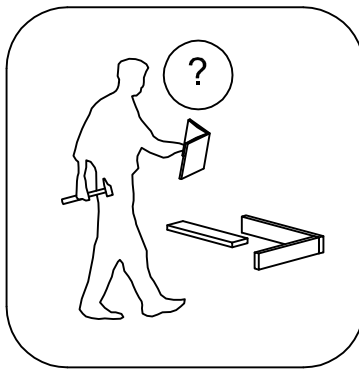
# City 1001

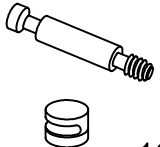


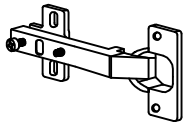
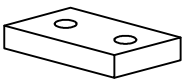
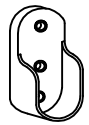

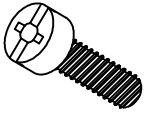

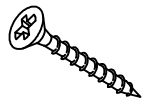
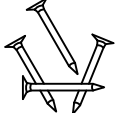


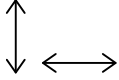
40 min.

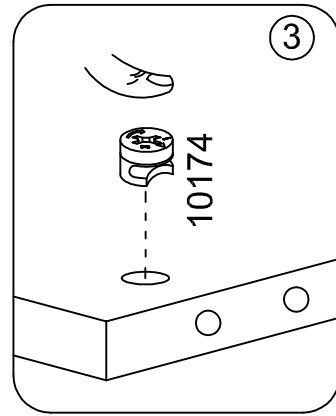
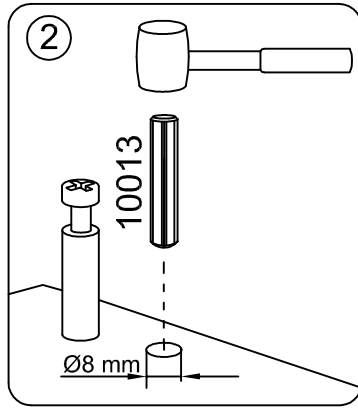
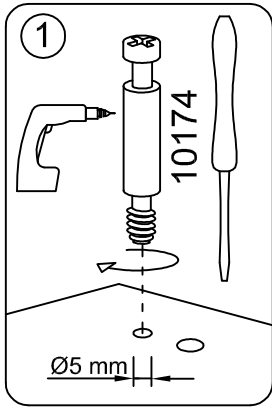


<http://www.irimbg.com/instructions/>

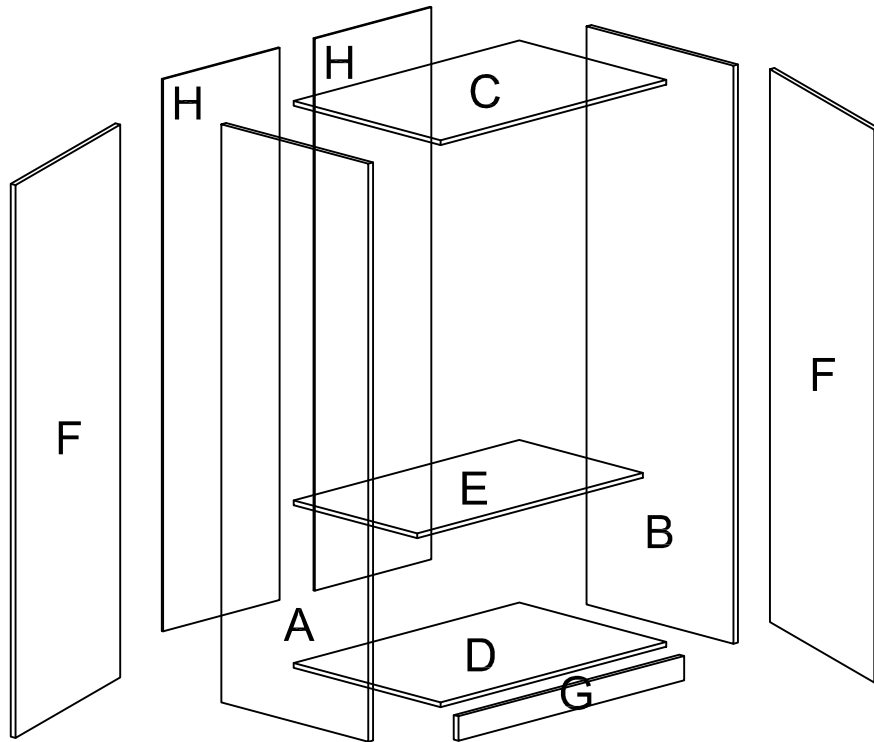


12x  10174	18x  $\Phi$ 8/30 10013	12x  50317	6x  40158
4x  50246	2x  50011	2x  20061	4x  M 4/18 10186
30x  $\Phi$ 3,5/16 10001	8x  $\Phi$ 3,5/20 10002	 10033	

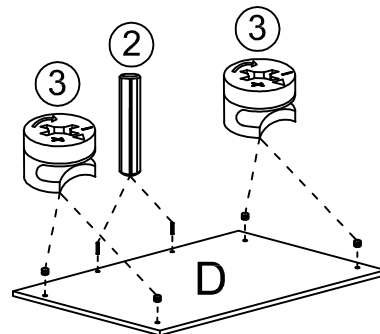
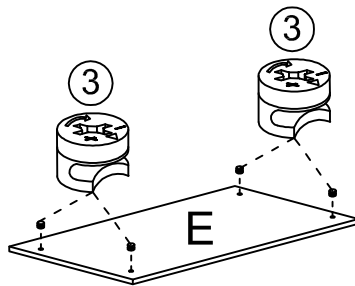
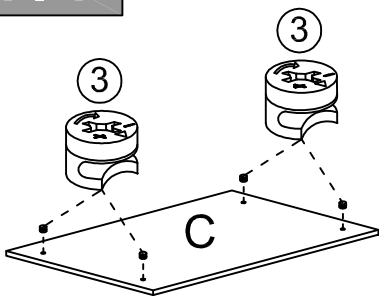
		Box number
A	1900x500	1/3
B	1900x500	1/3
C	768x500	2/3
D	768x500	2/3
E	768x420	2/3
F	2x 1816x396	3/3
G	80x768	2/3
H	2x 1815x397	1/3

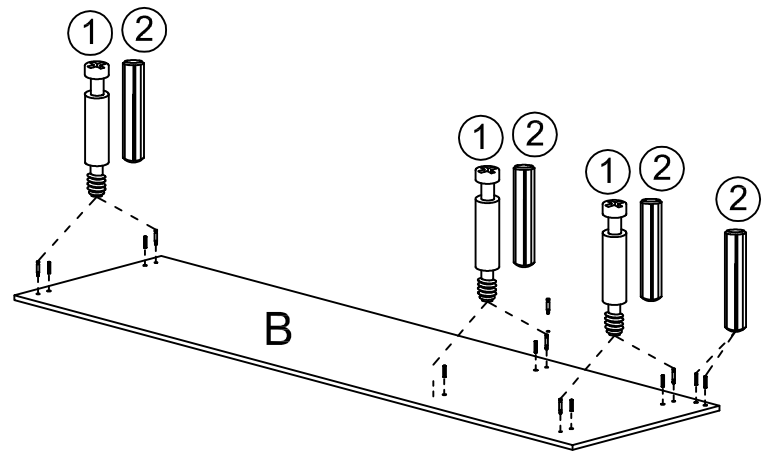
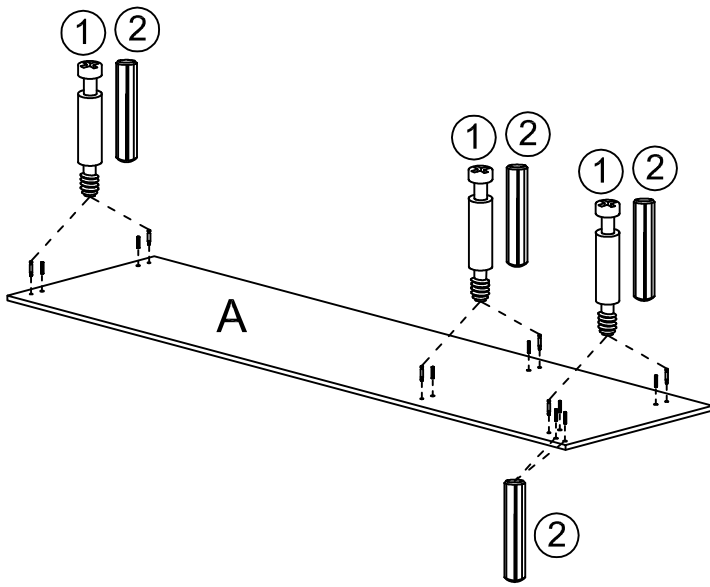


1

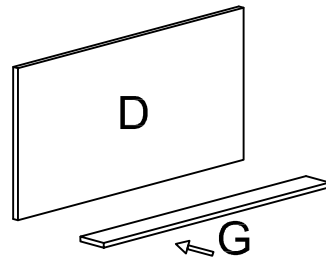


1.1

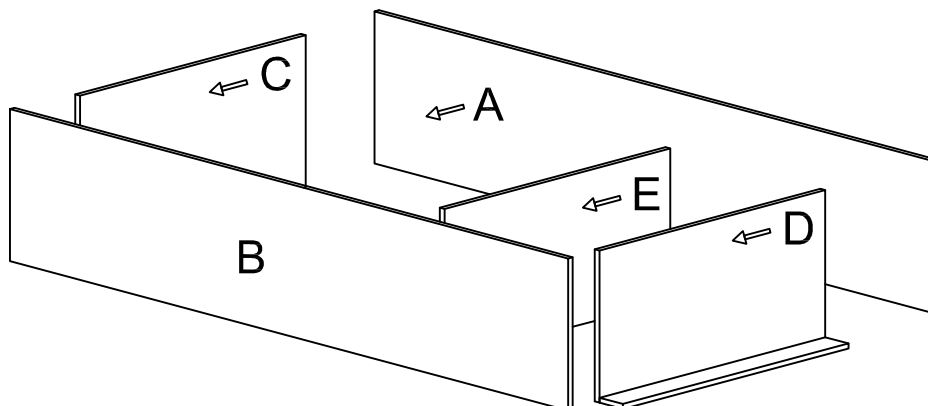
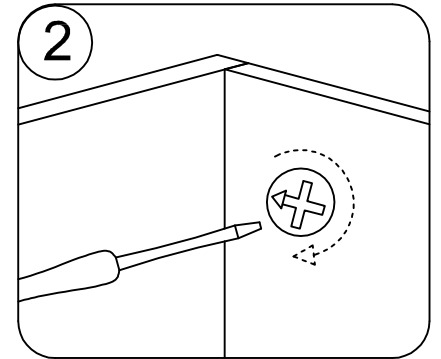
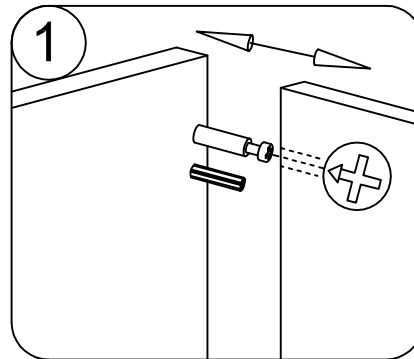




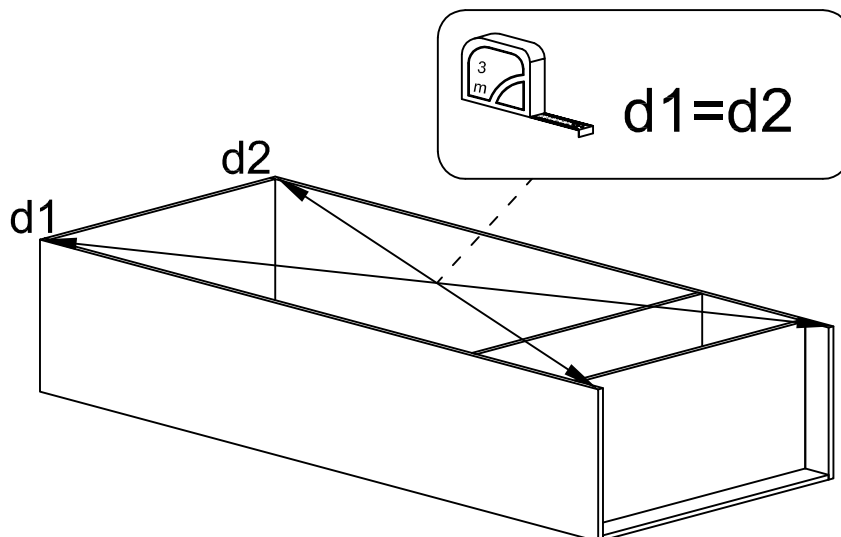
## 1.2



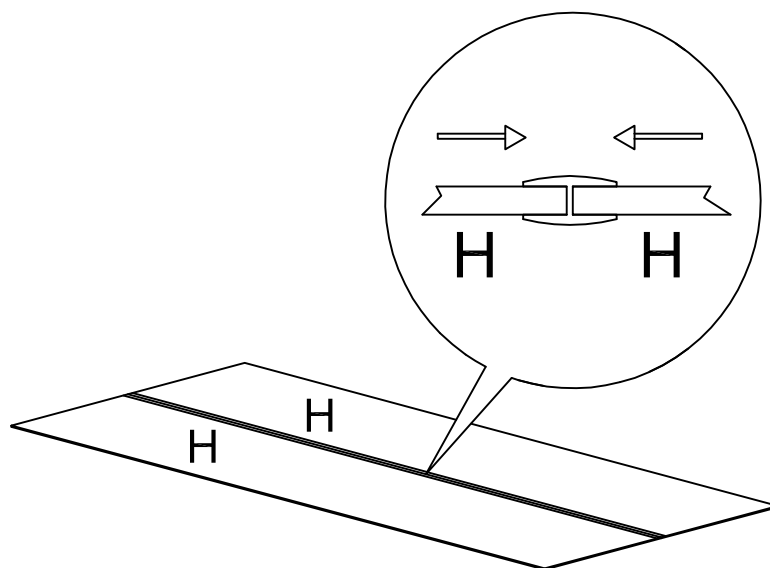
## 1.3



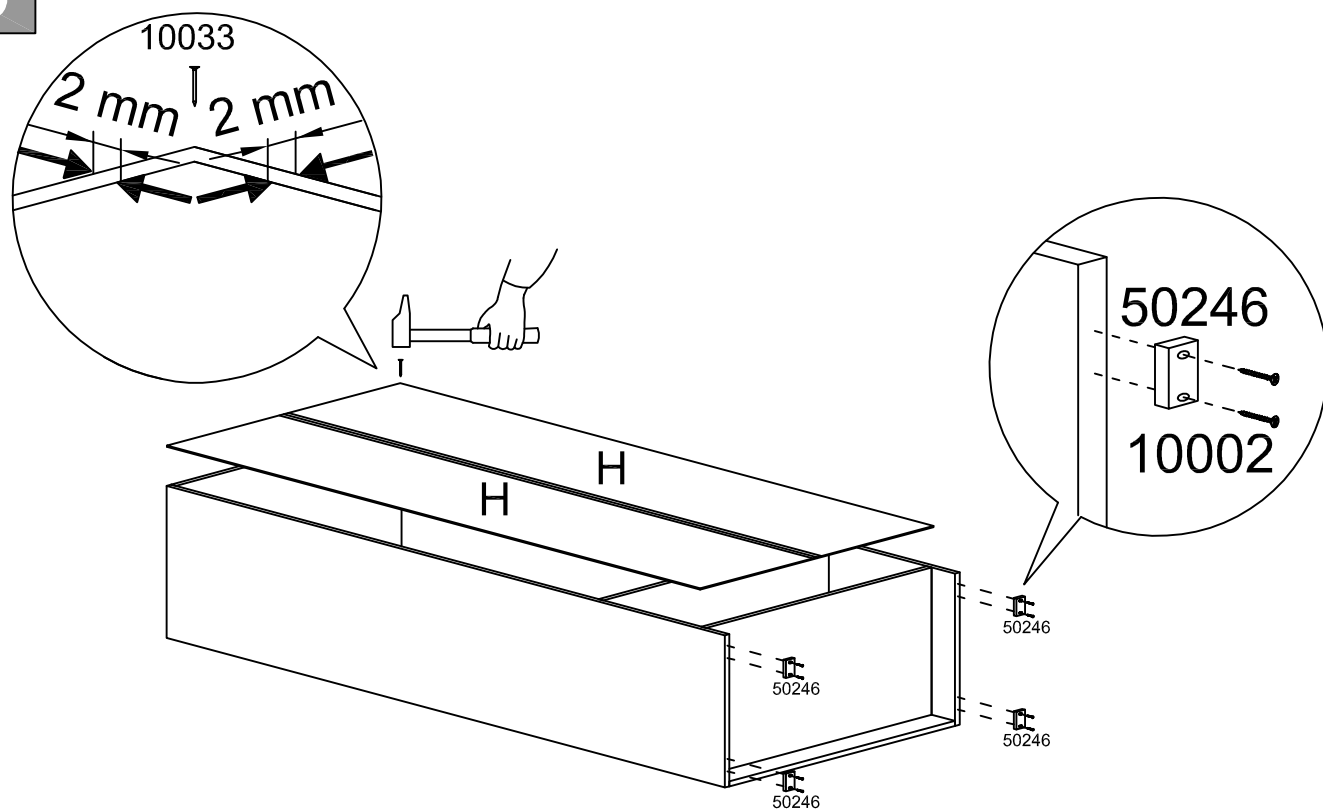
1.4



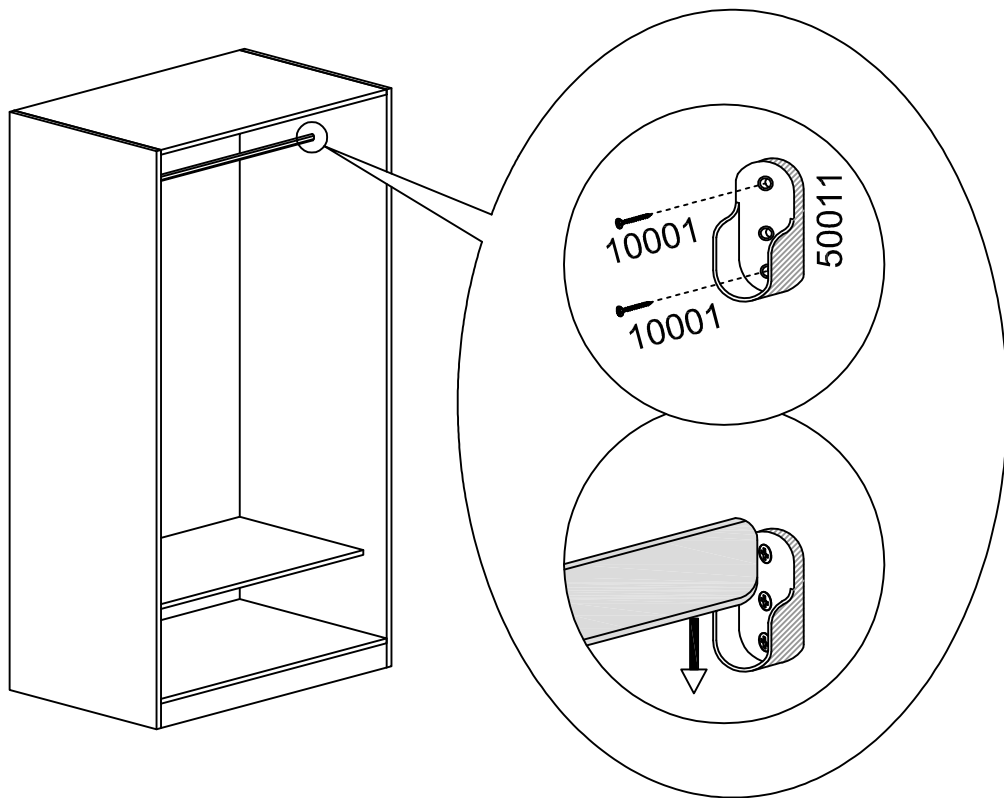
1.5



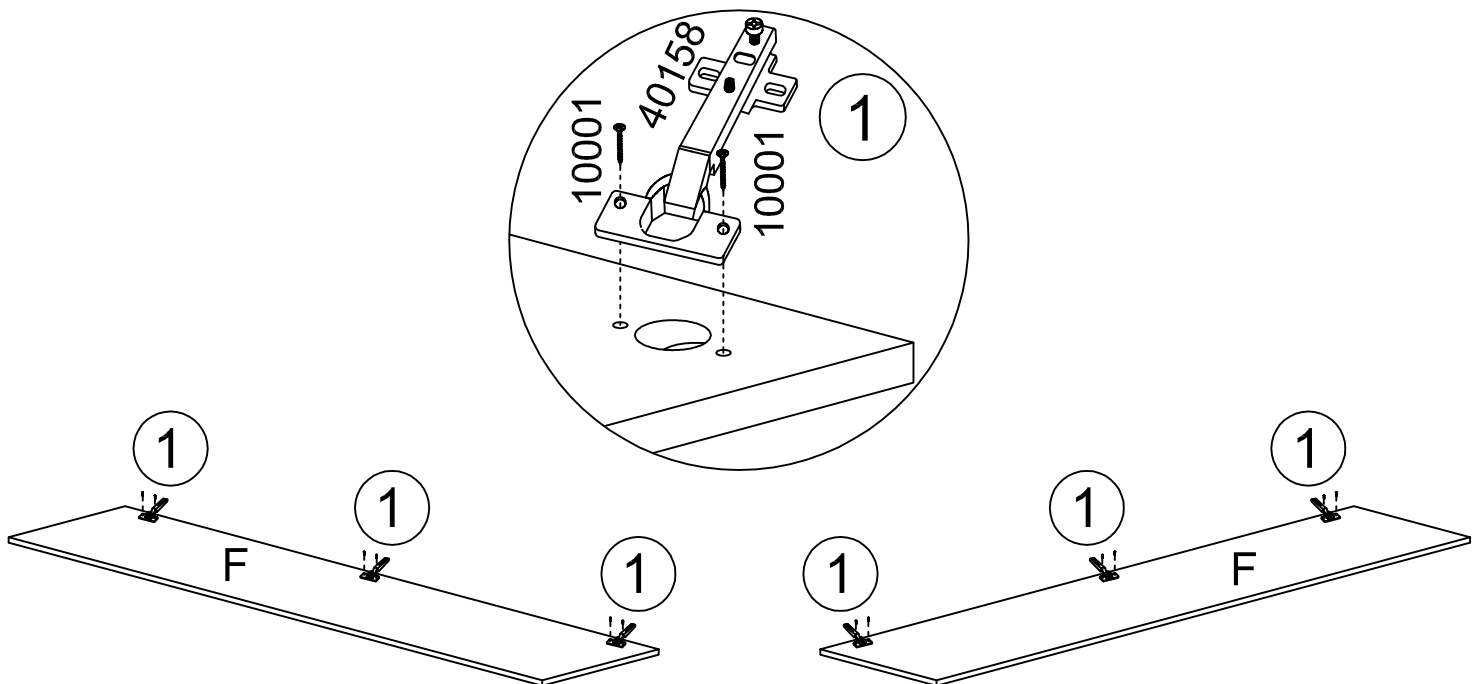
1.6



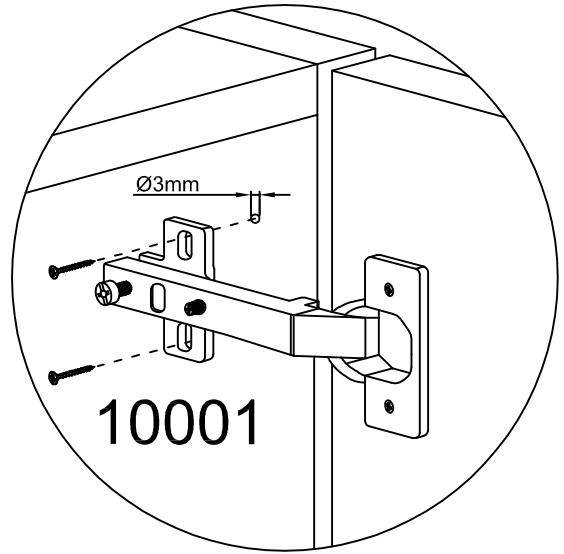
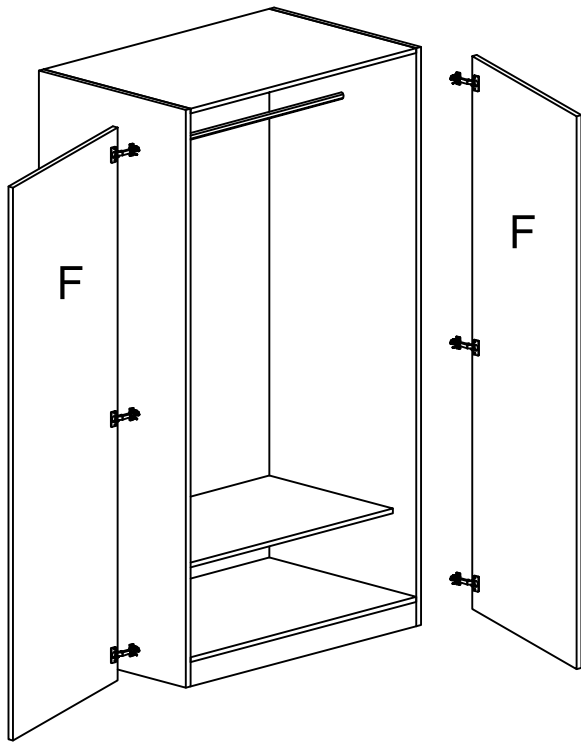
1.7



1.8



# 1.9



# 1.10

