

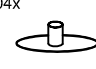















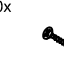

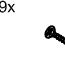



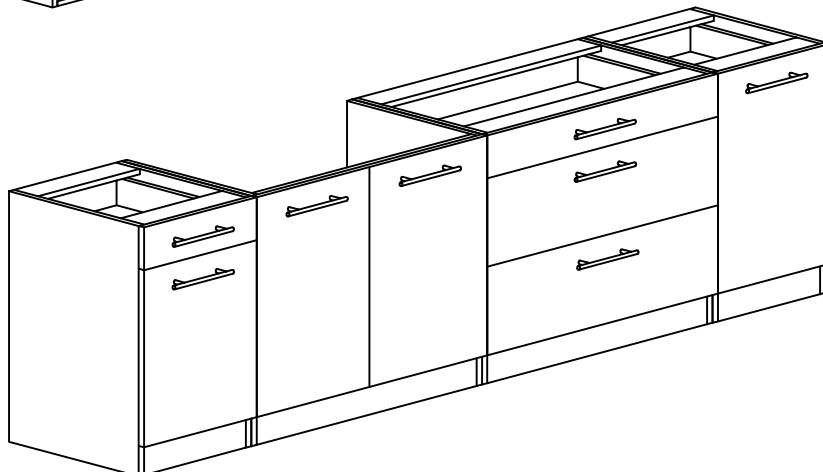
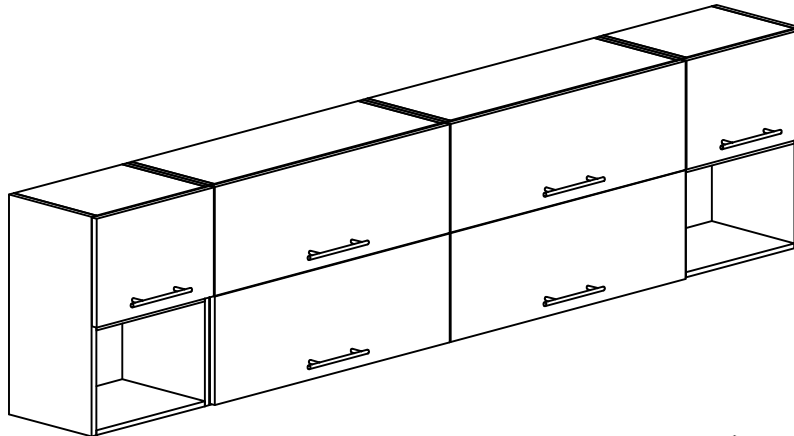
# Kustic

A	2x 720x280	1/10
B	2x 720x280	1/10
C	6x 368x280	1/10
D	2x 715x395	6/10
E	2x 397x356	6/10
F	2x 720x280	2/10
G	2x 720x280	3/10
H	6x 768x280	2,3/10
I	2x 363x795	7/10
J	2x 352x795	7/10
K	4x 797x356	4/10
L	820x430	5/10
M	820x430	5/10
N	2x 368x100	5/10
O	368x430	5/10
P	368x410	5/10
Q	368x100	5/10
R	715x395	6/10

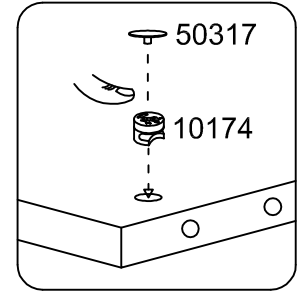
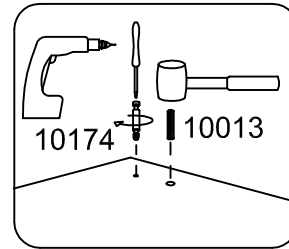
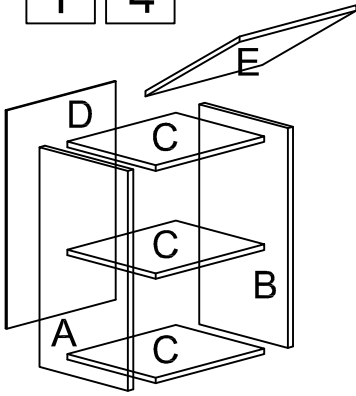
S	397x573	6/10
T	2x 400x90	5/10
U	2x 311x90	5/10
V	340x395	6/10
W	397x140	6/10
X	820x430	7/10
Y	820x430	7/10
Z	2x 768x100	7/10
AA	768x430	7/10
AB	397x716	10/10
AC	368x100	10/10
AD	768x100	7/10
AE	2x 397x716	6/10
AF	820x430	8/10
AG	820x430	8/10
AH	2x 768x100	8/10

AI	768x430	8/10
AJ	768x100	8/10
AK	2x 715x395	6/10
AL	2x 400x90	8/10
AM	2x 711x90	8/10
AN	715x395	6/10
AO	797x140	8/10
AP	4x 400x220	9/10
AQ	4x 711x220	8/10
AR	3x 740x395	7/10
AS	2x 797x285	9/10
AT	820x430	10/10
AU	820x430	10/10
AV	368x430	10/10
AW	2x 368x100	10/10
AX	368x410	10/10

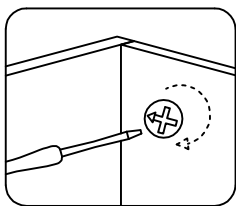
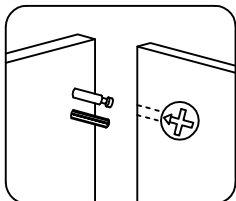
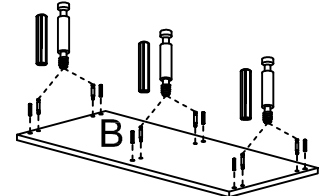
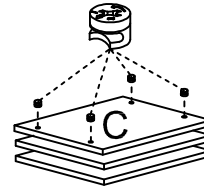
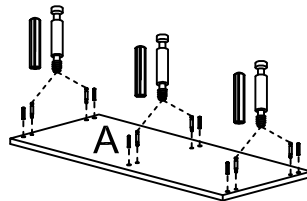
104x  10174	148x  Φ 8/30 10013	104x  50993	4x  30N 50942	8x  60N 50339	4x  40161	16x  40158	4x  L 400 mm 50955
14x  20334	16x  50248	8x  50332	8x  51066	8x  Φ 6/80 10021	8x  10060	12x  10037	4x  50062
8x  M 4/40 10023	20x  M 4/20 10063	30x  M 3,5/30 10004	16x  Φ 3,5/20 10002	189x  Φ 3,5/16 10001	 10033		



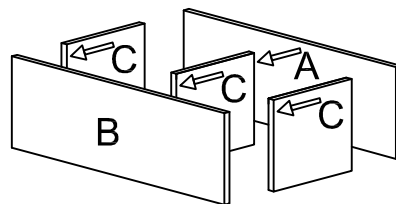
1 4



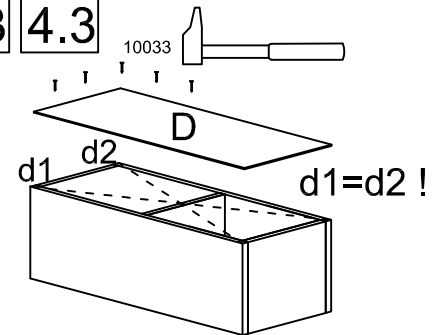
1.1 4.1



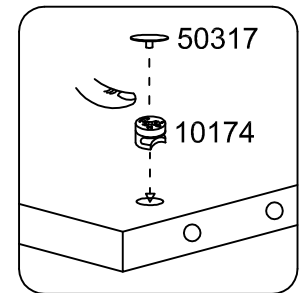
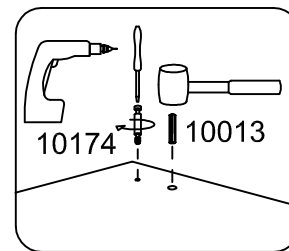
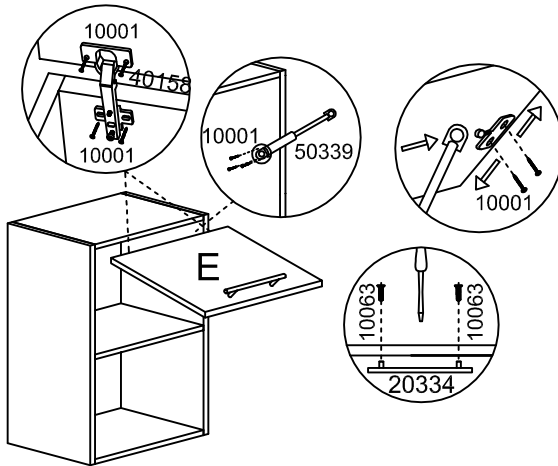
1.2 4.2



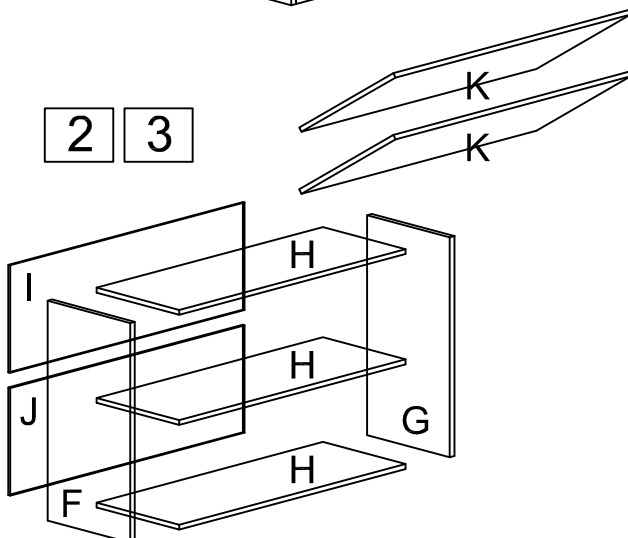
1.3 4.3



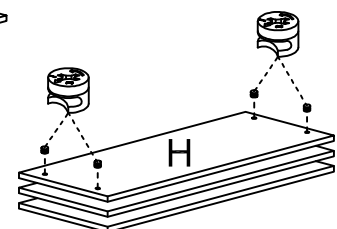
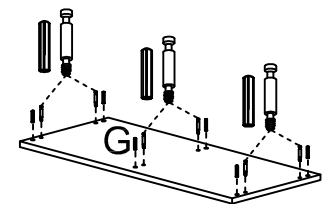
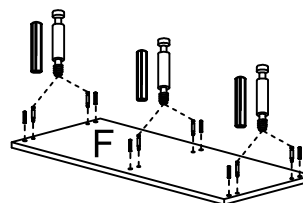
1.4 4.4

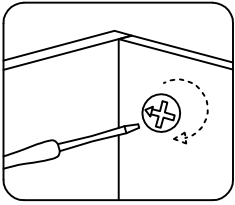
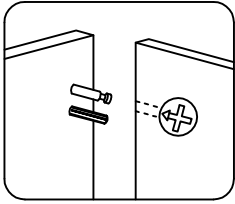


2 3

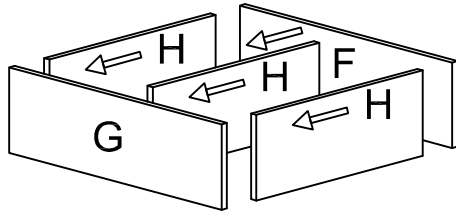


2.1 3.1

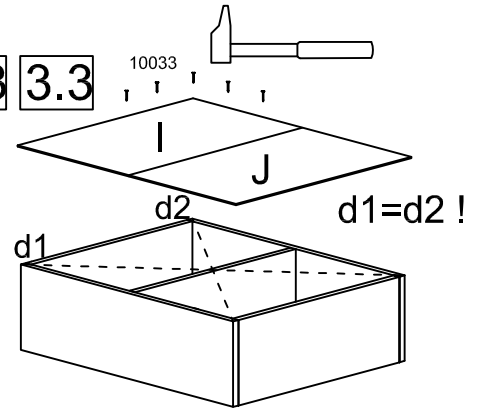




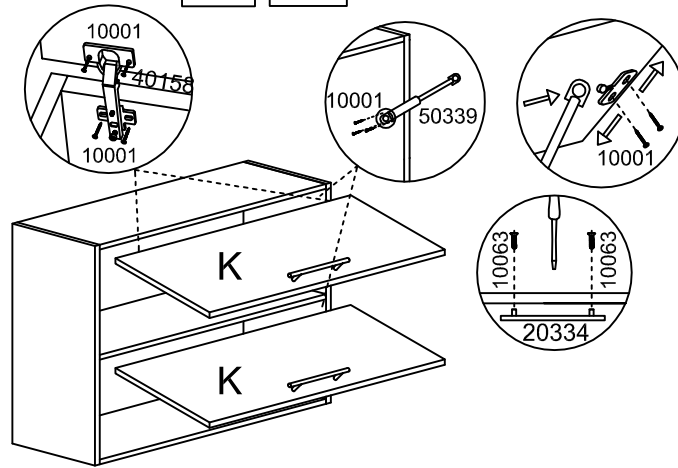
2.2 3.2



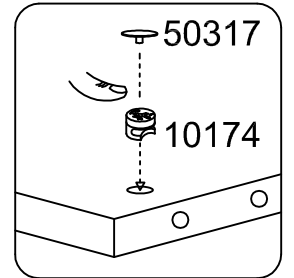
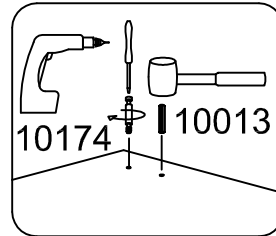
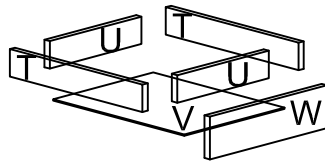
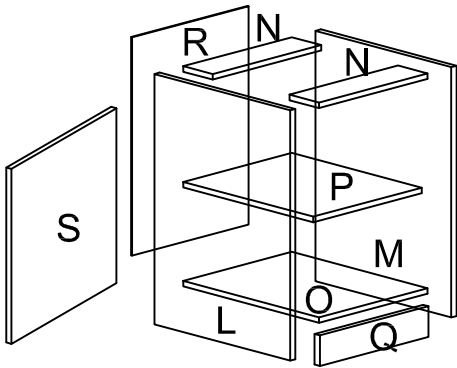
2.3 3.3



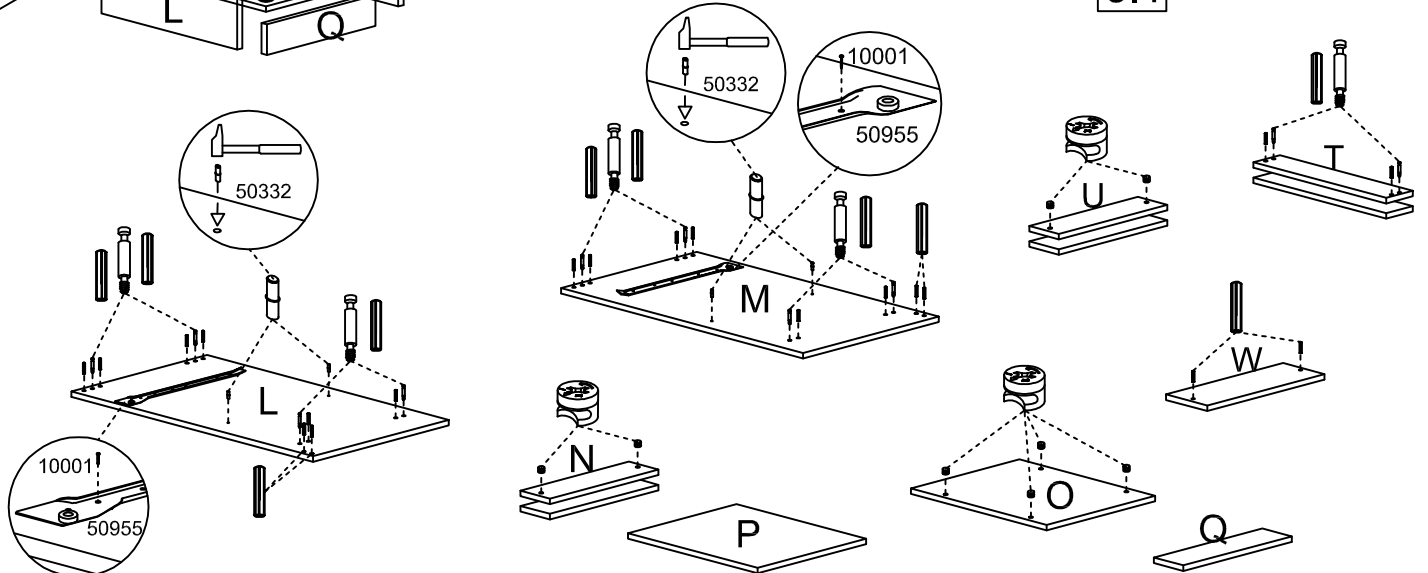
2.4 3.4

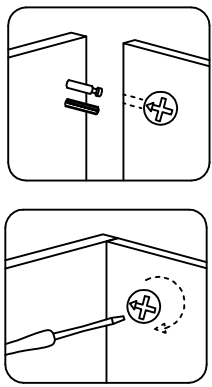


5

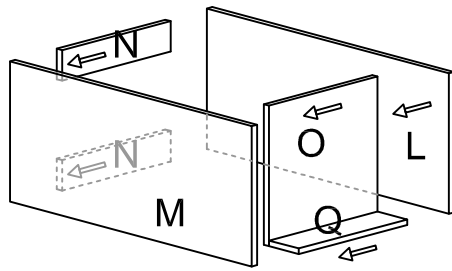


5.1

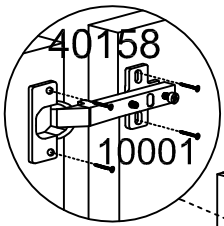
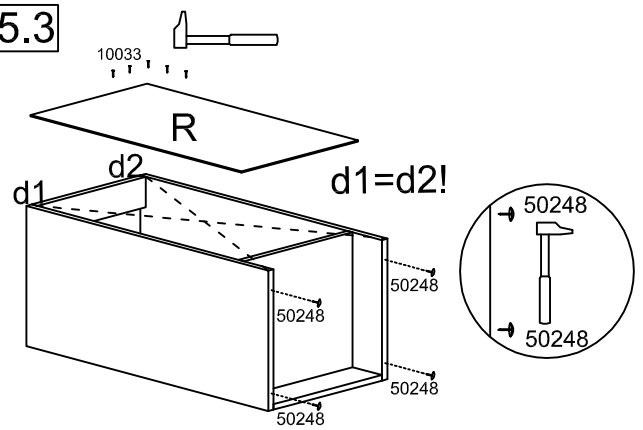




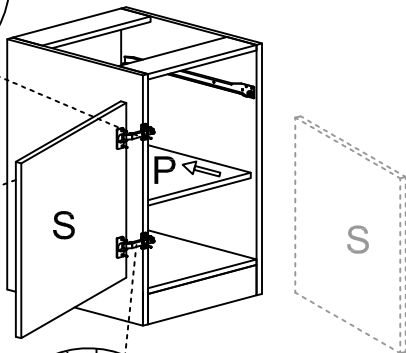
5.2



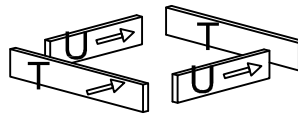
5.3



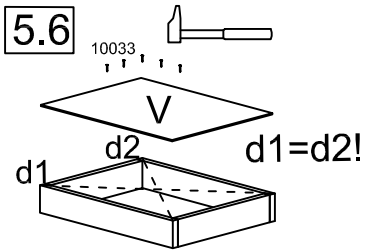
5.4



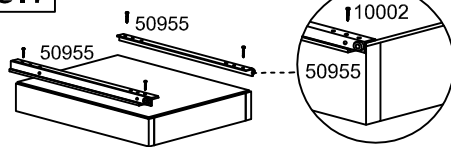
5.5



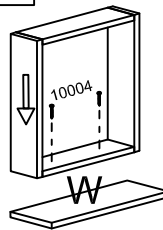
5.6



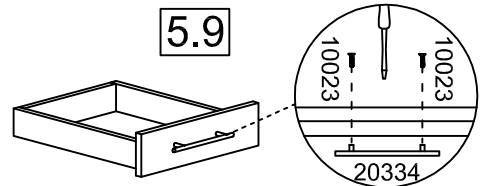
5.7



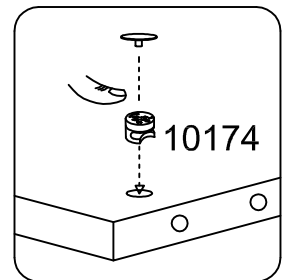
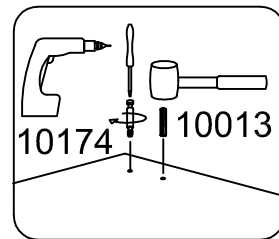
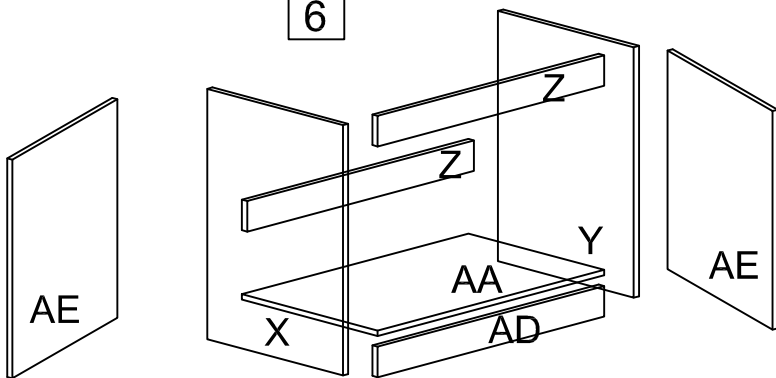
5.8



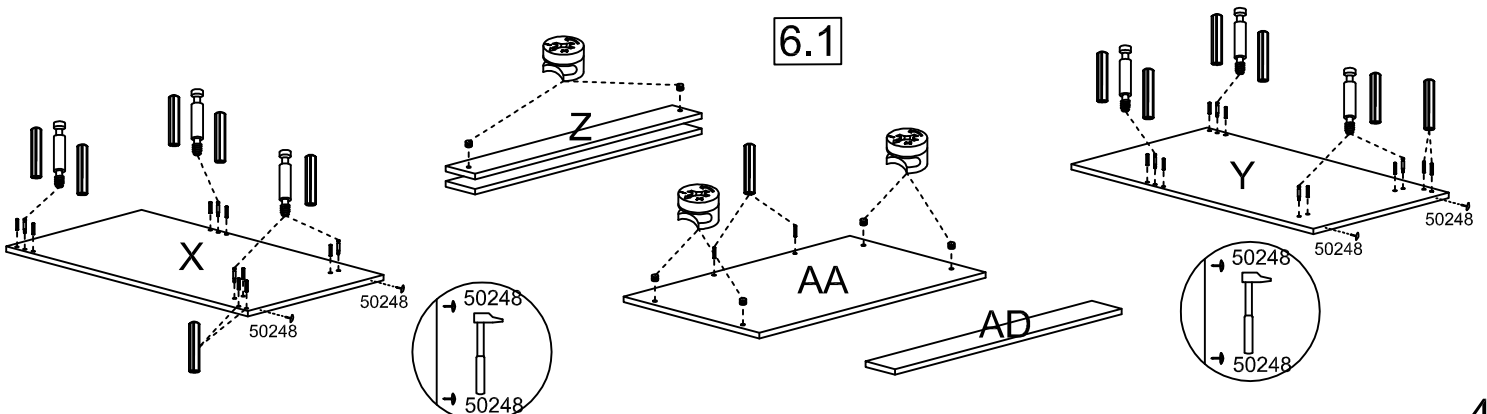
5.9

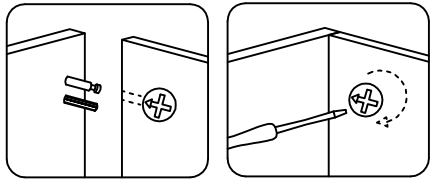


6

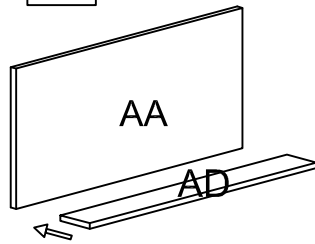


6.1

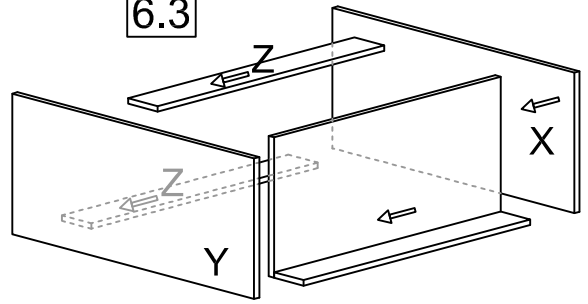




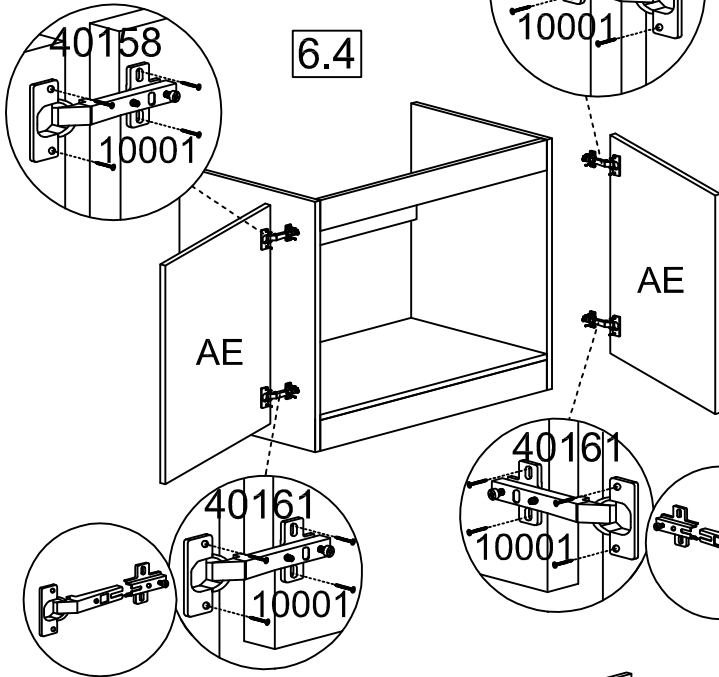
6.2



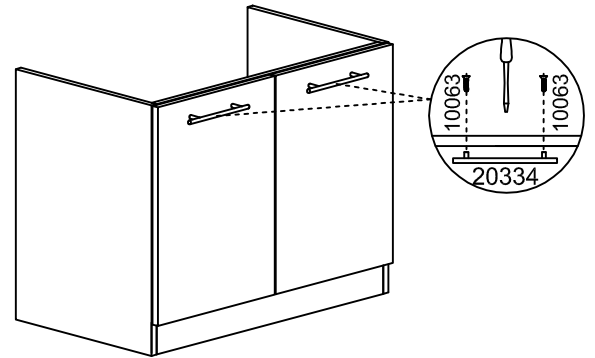
6.3



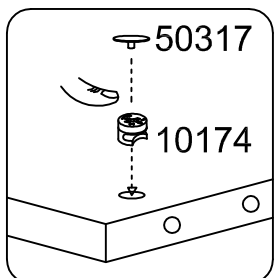
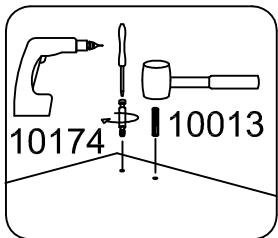
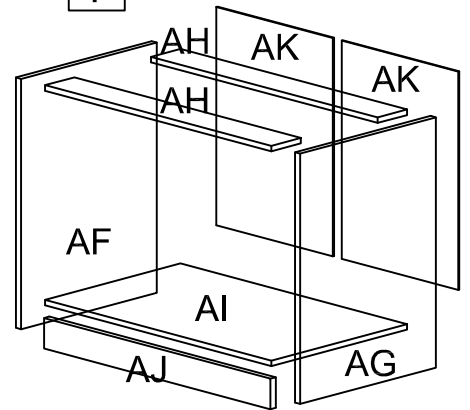
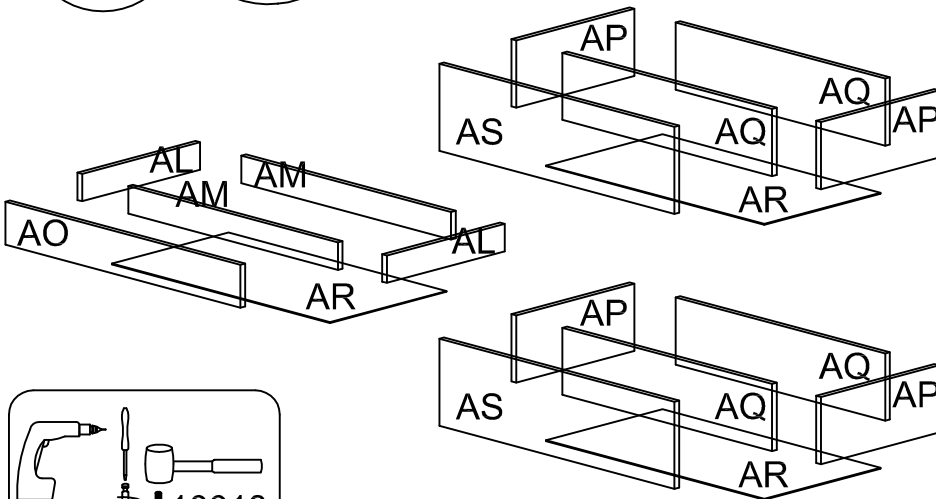
6.4



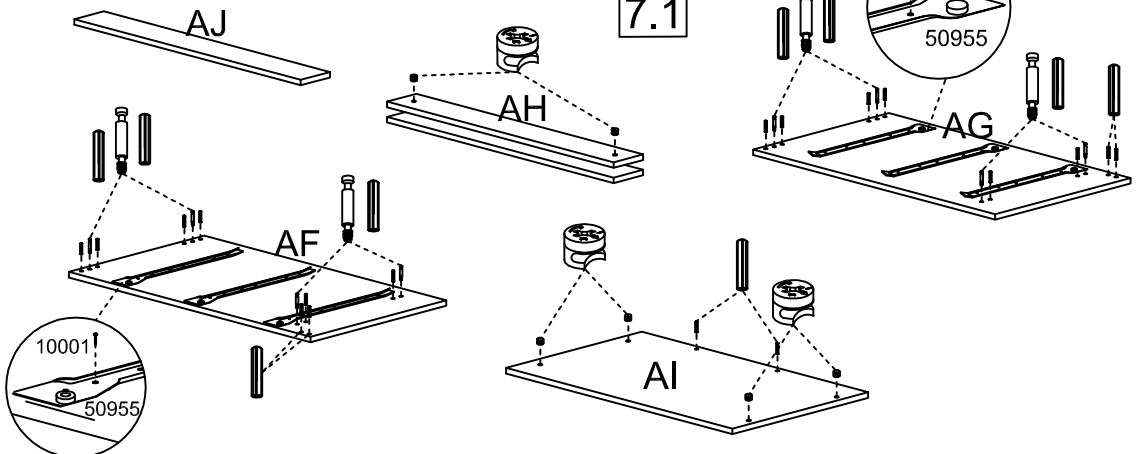
6.5

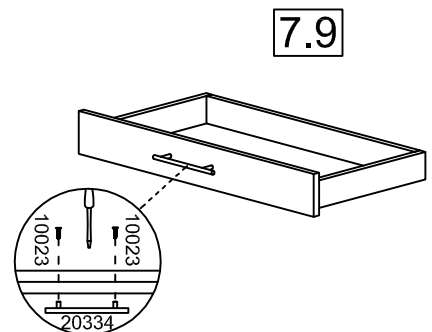
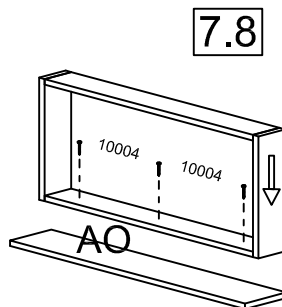
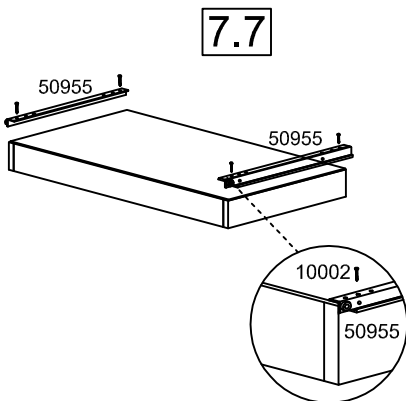
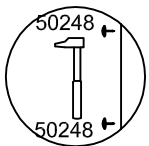
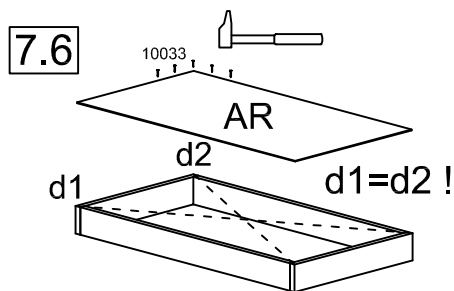
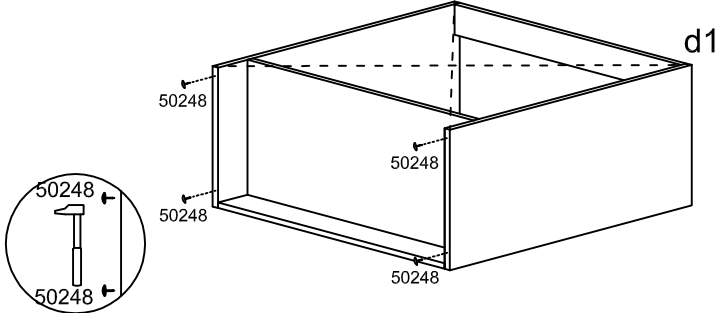
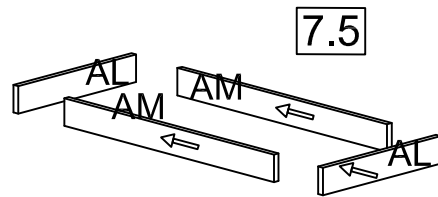
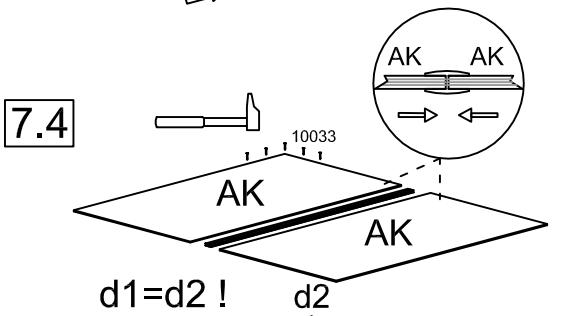
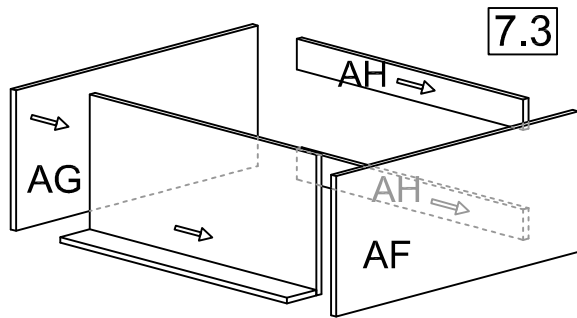
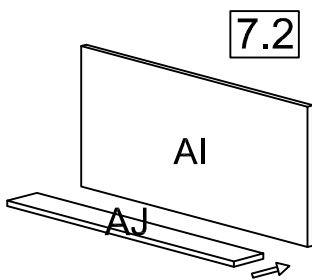
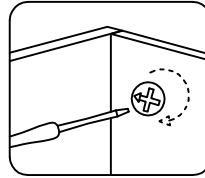
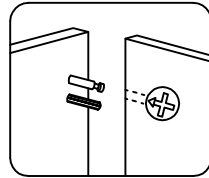
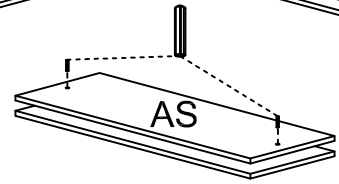
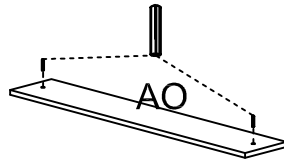
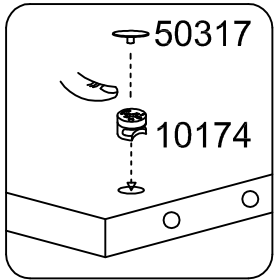
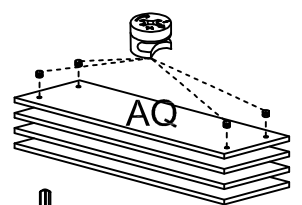
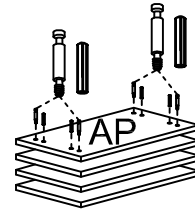
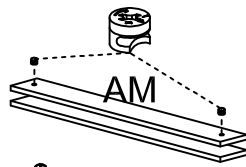
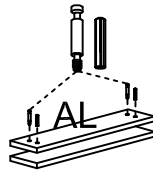
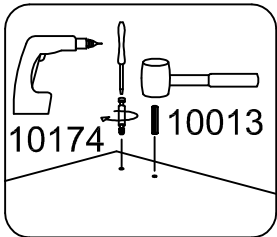


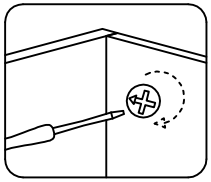
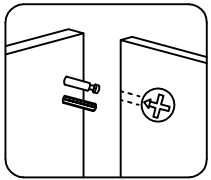
7



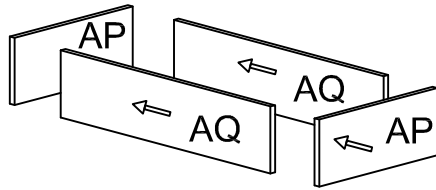
7.1



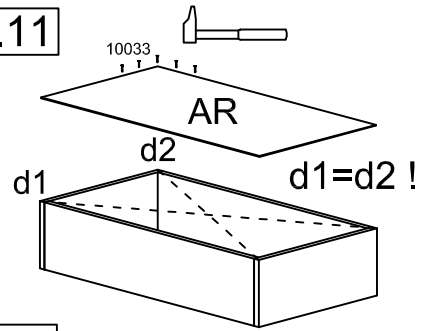




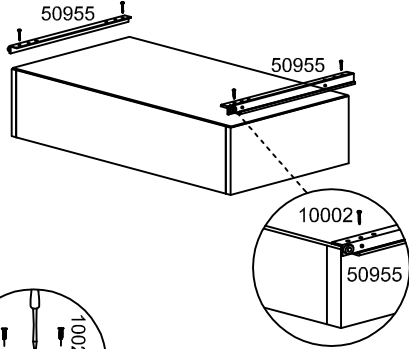
7.10



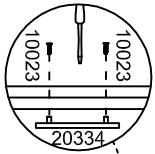
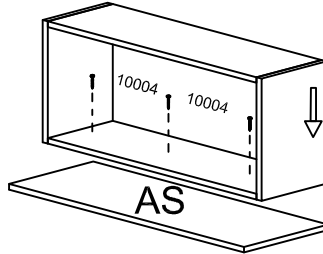
7.11



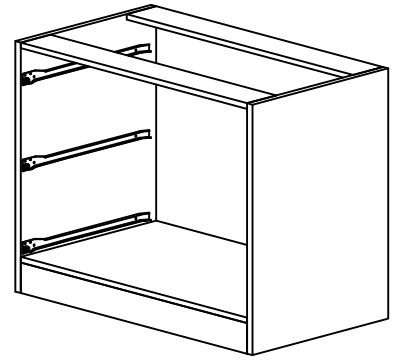
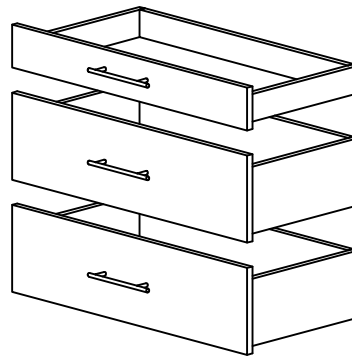
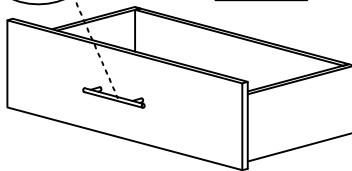
7.12



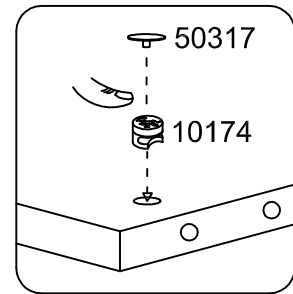
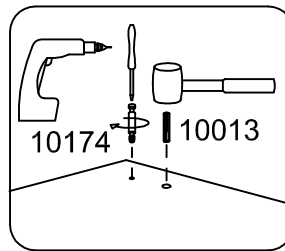
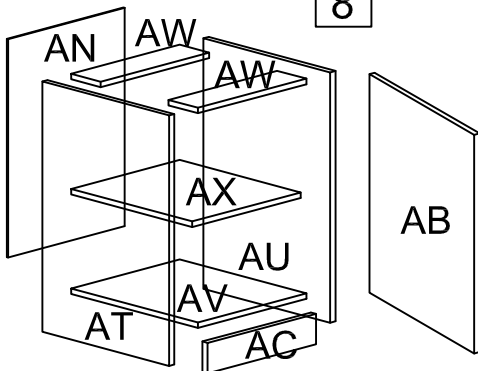
7.13



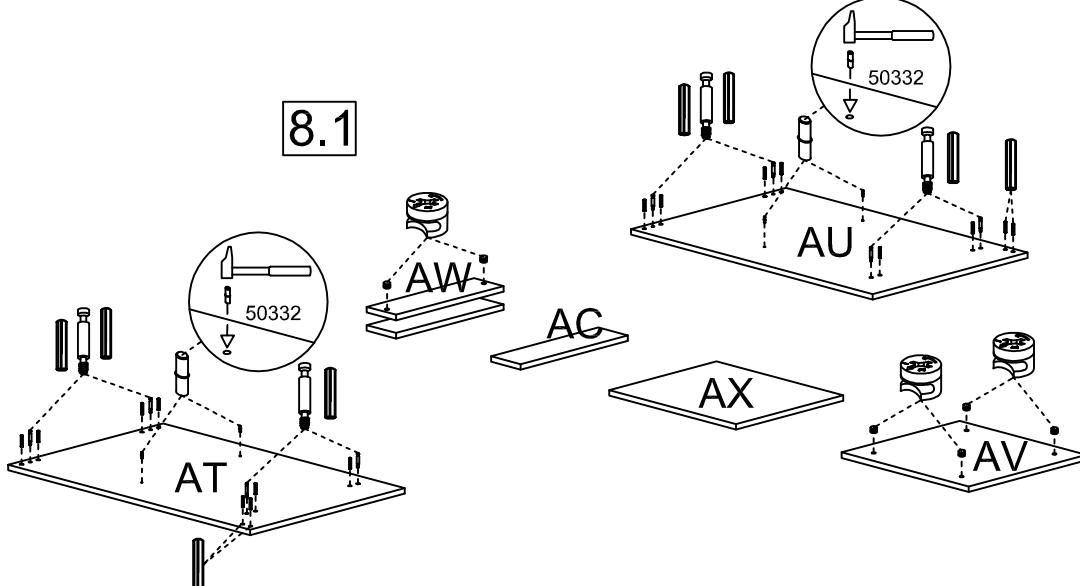
7.14

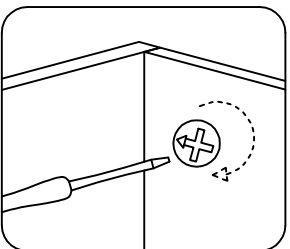
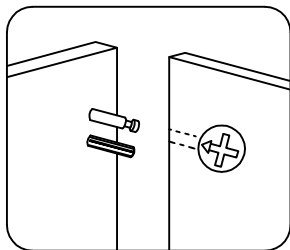


8

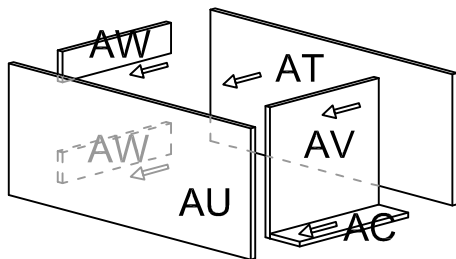


8.1

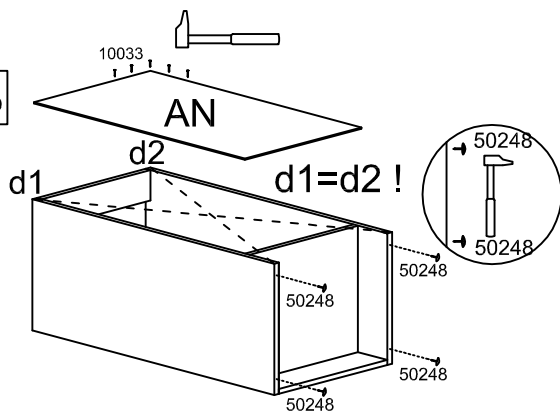




8.2



8.3



8.4

