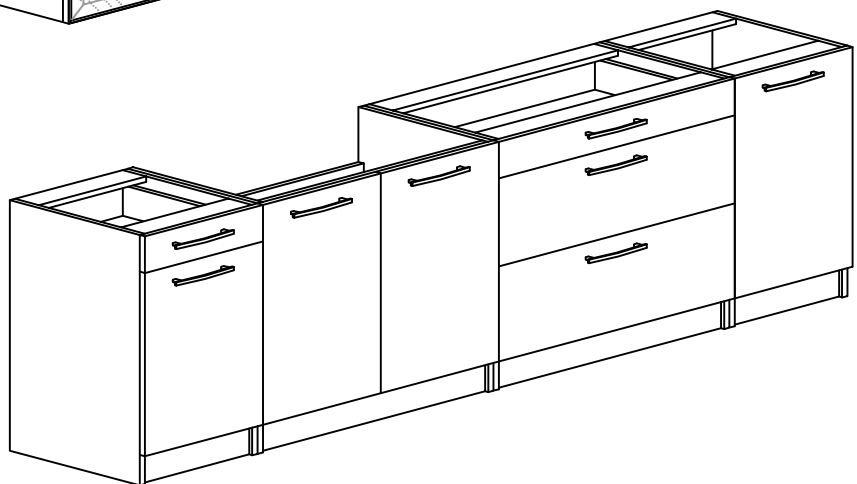
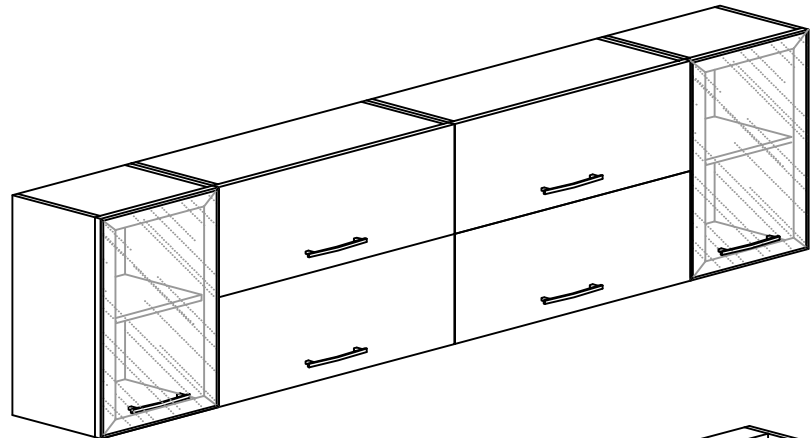
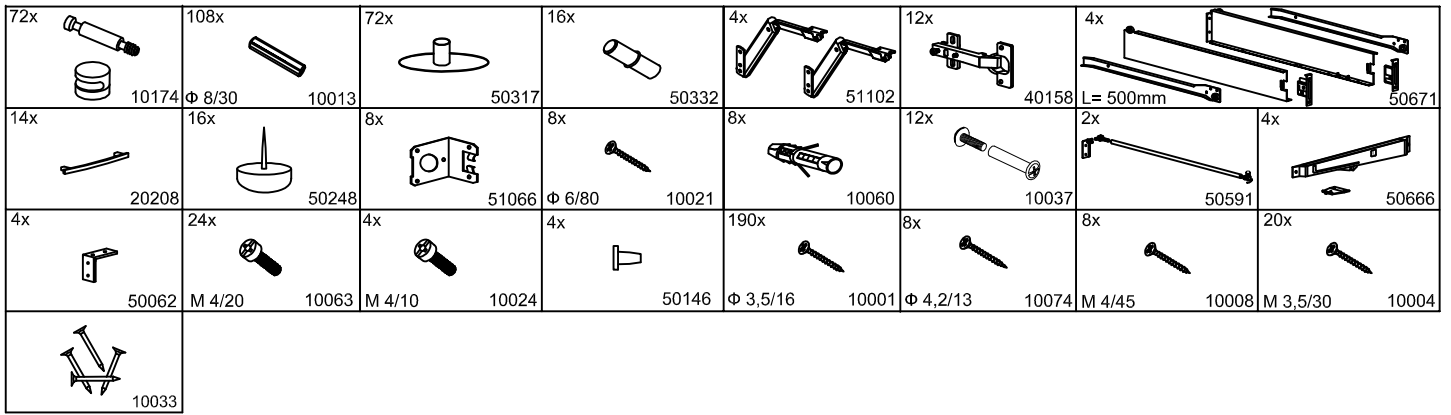


# Almond

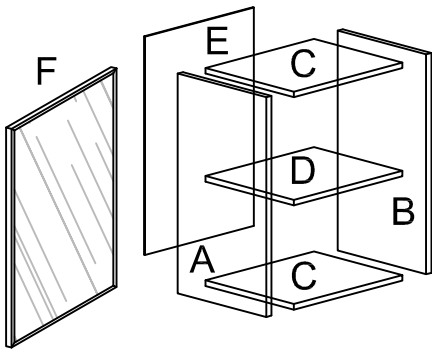
A	2x	720x280	1/12
B	2x	720x280	1/12
C	4x	368x280	1/12
D	2x	368x260	1/12
E	2x	715x395	9/12
F	2x	716x397	2/12
G	2x	720x280	3,4/12
H	2x	720x280	3,4/12
I	6x	768x280	3,4/12
J	2x	348x795	10/12
K	2x	366x795	10/12
L	4x	356x797	5/12
M		820x460	6/12
N		820x460	6/12
O	2x	368x100	6/12
P		368x460	6/12
Q		368x440	6/12

R		368x100	6/12
S	4x	715x395	9/12
T		563x397	6/12
U		448x337	6/12
V		80x336	6/12
W		150x397	6/12
X		820x460	7/12
Y		820x460	7/12
Z	2x	768x100	7/12
AA		768x460	7/12
AB		768x100	7/12
AC	2x	716x397	11/12
AD		820x460	8/12
AE		820x460	8/12
AF	2x	768x100	8/12

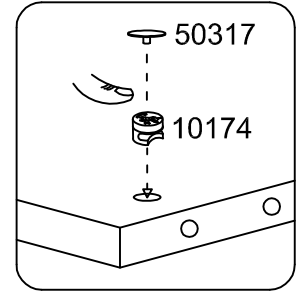
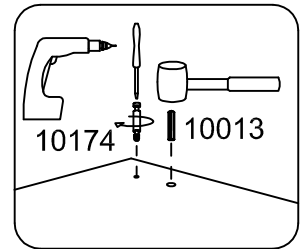
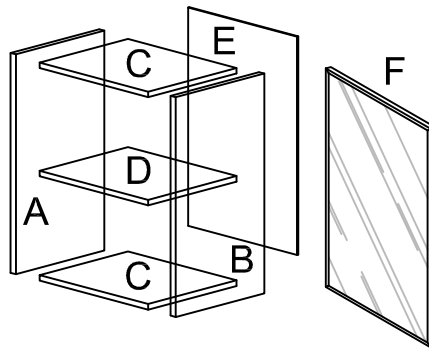
AG		768x460	8/12
AH		768x100	8/12
AI		420x795	7/12
AJ	3x	448x737	9/12
AK		80x736	8/12
AL		150x797	8/12
AM	2x	200x736	8/12
AN	2x	280x797	8/12
AO		820x460	10/12
AP		820x460	10/12
AQ	2x	368x100	10/12
AR		368x460	10/12
AS		368x440	10/12
AT		368x100	10/12
AU		716x397	11/12



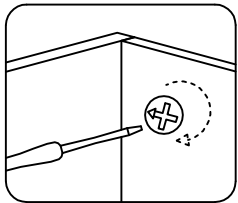
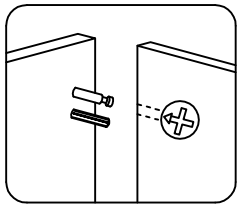
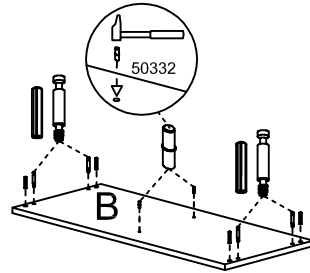
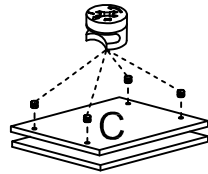
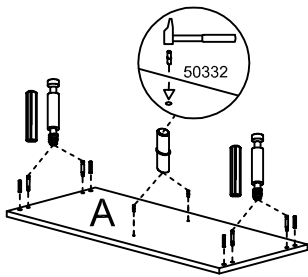
1



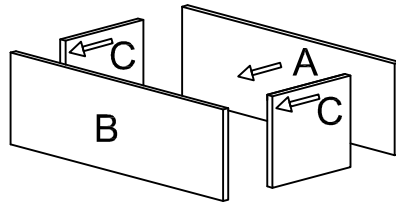
4



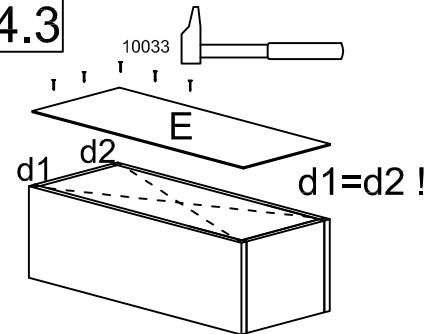
1.1 4.1



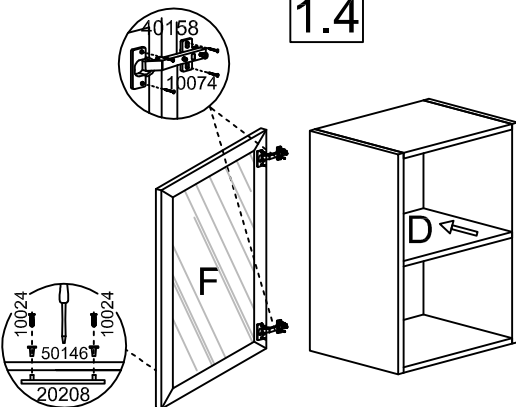
1.2 4.2



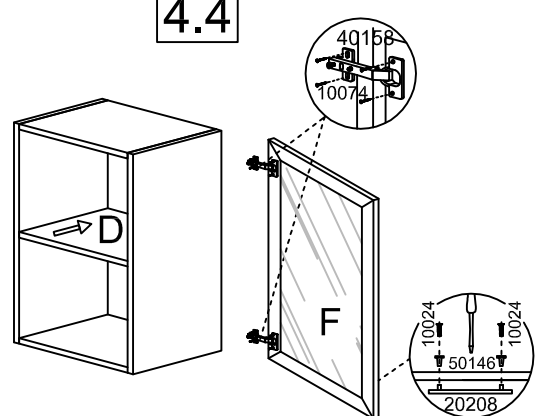
1.3 4.3



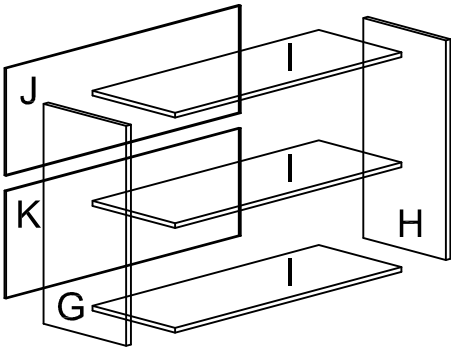
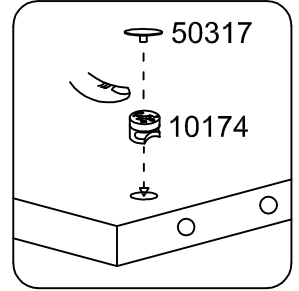
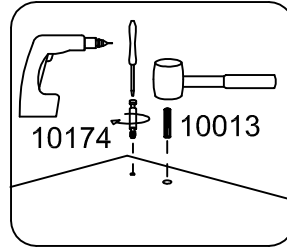
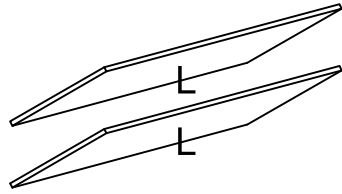
1.4



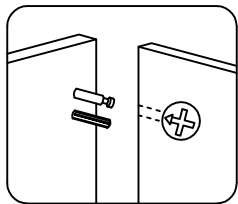
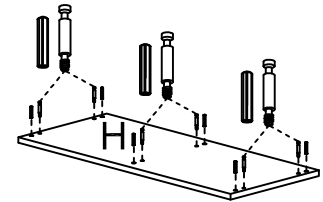
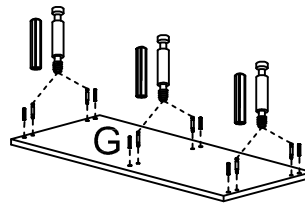
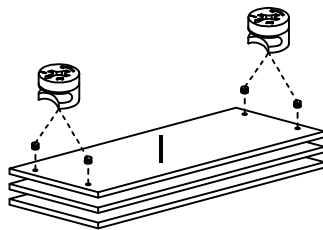
4.4



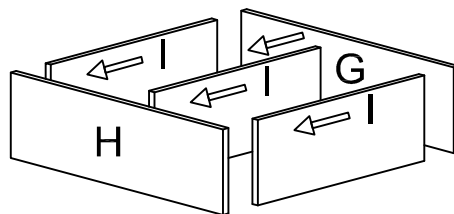
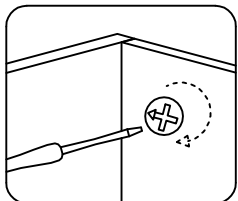
2 3



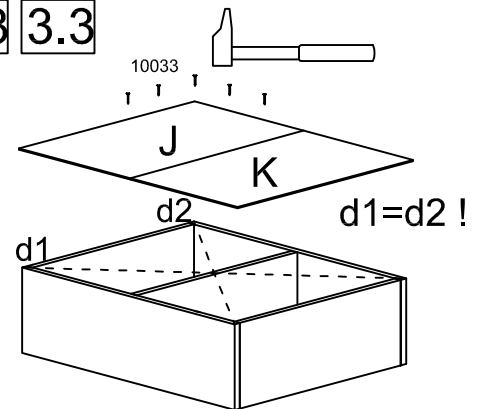
2.1 3.1



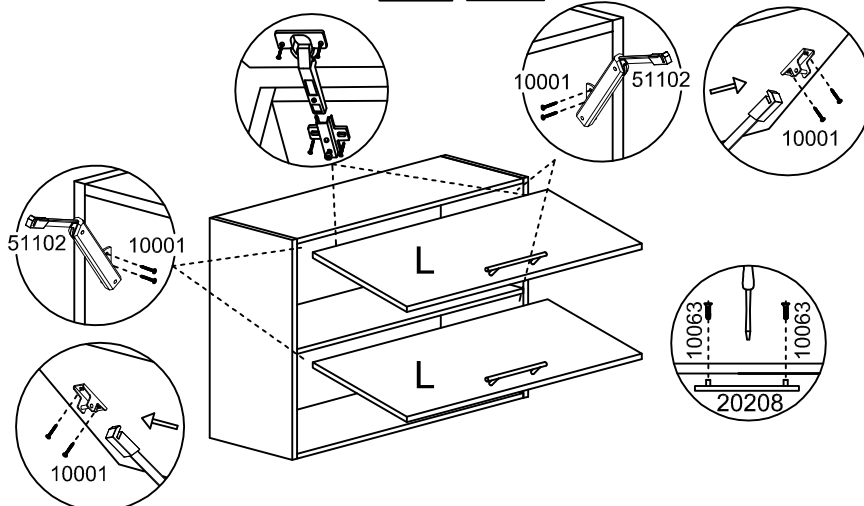
2.2 3.2

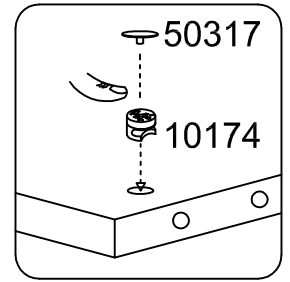
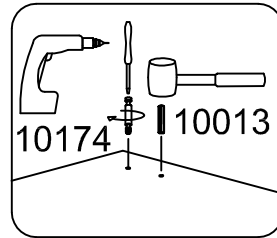
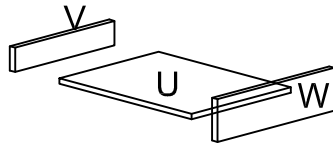
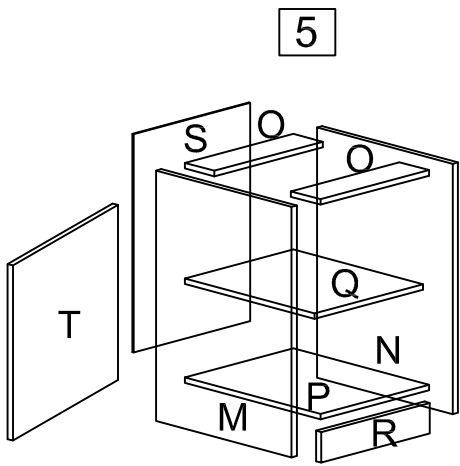


2.3 3.3

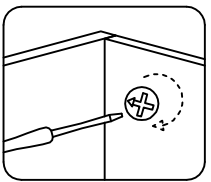
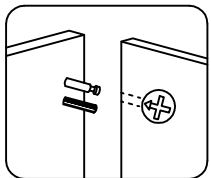
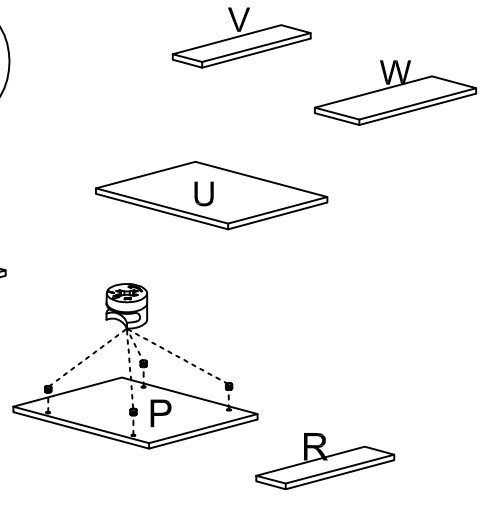
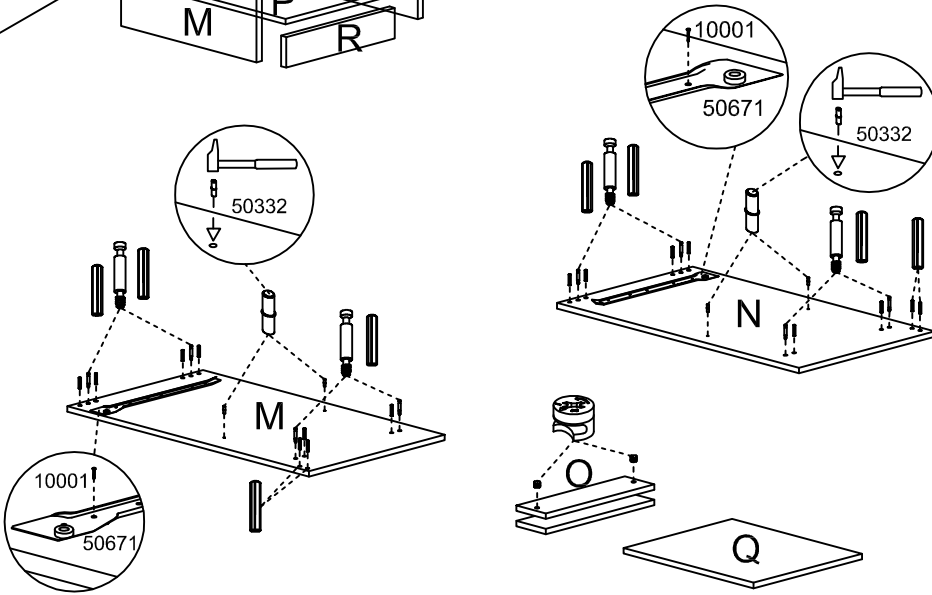


2.4 3.4

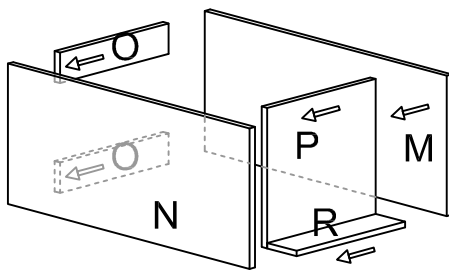




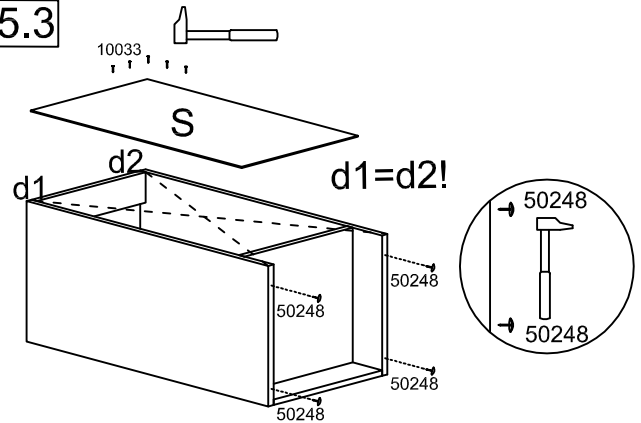
**5.1**



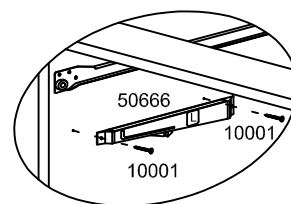
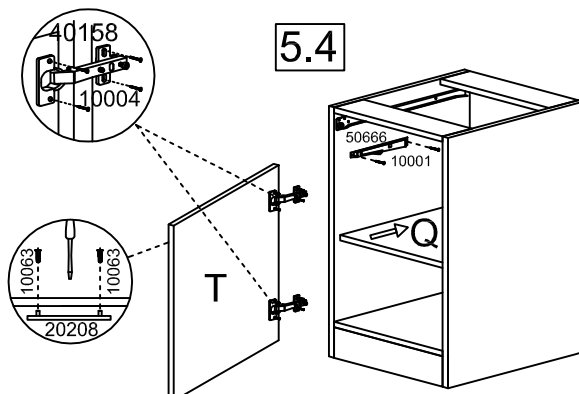
**5.2**

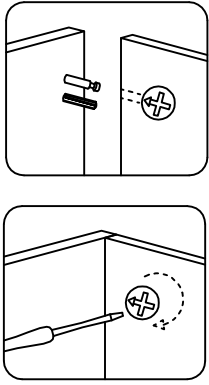


**5.3**

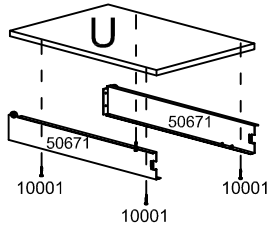


**5.4**

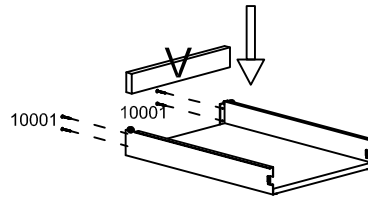




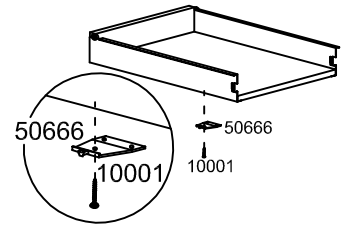
5.5



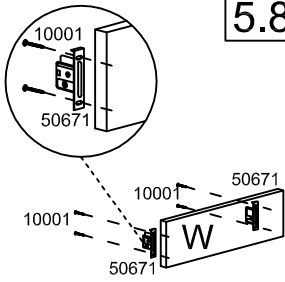
5.6



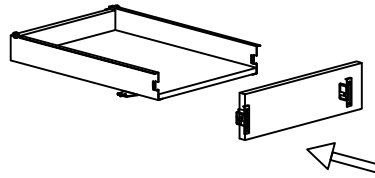
5.7



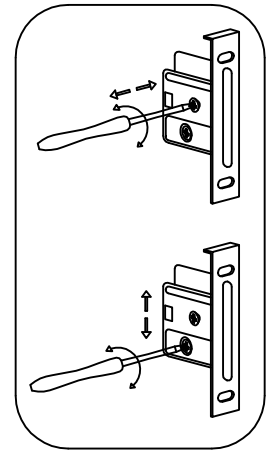
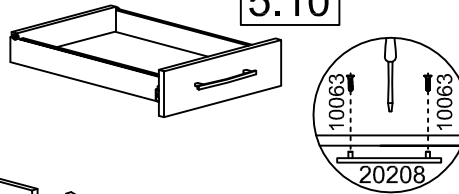
5.8



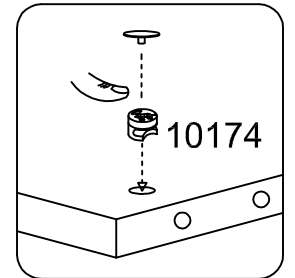
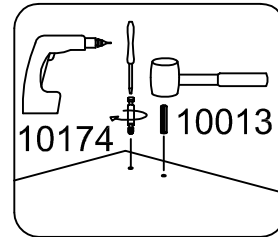
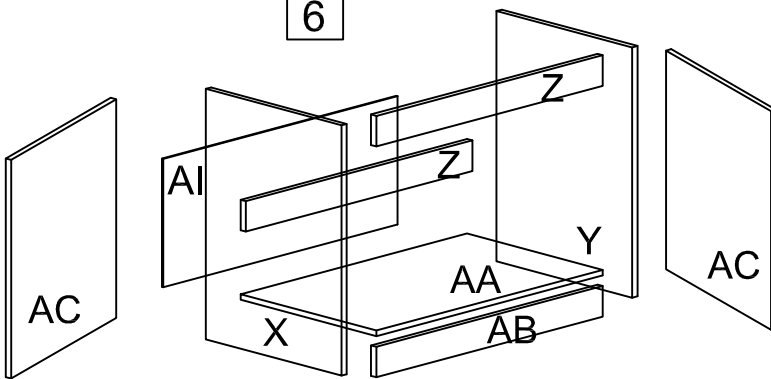
5.9



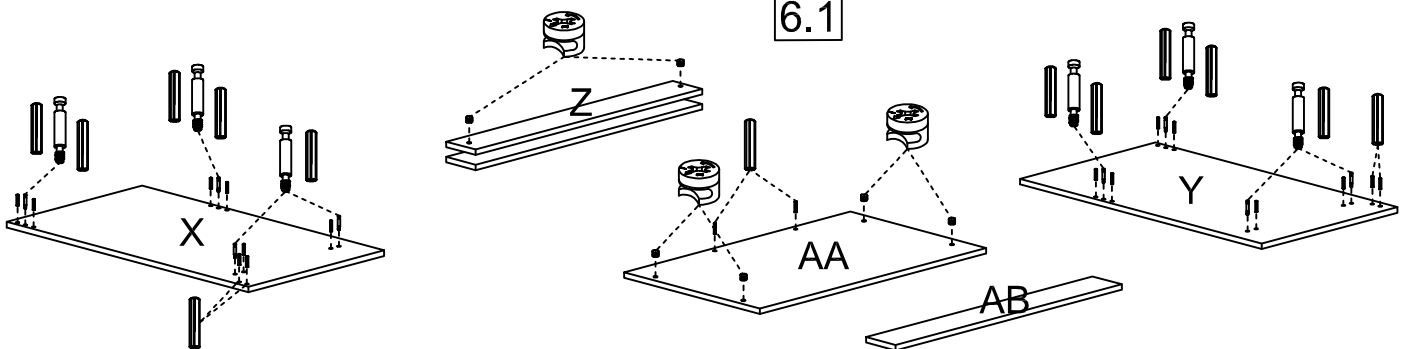
5.10



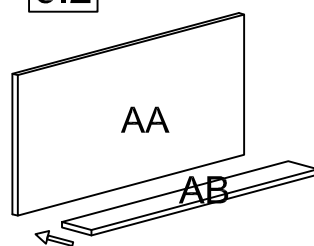
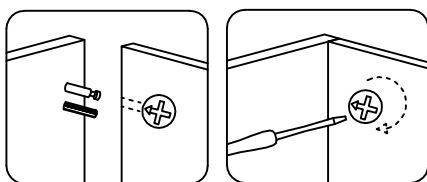
6



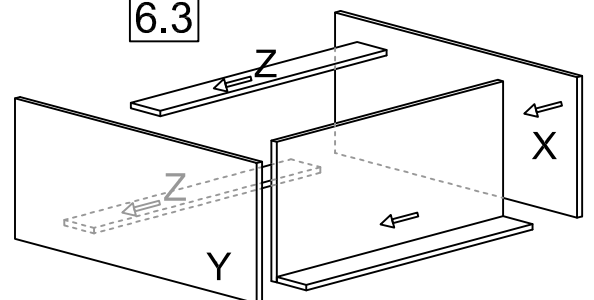
6.1

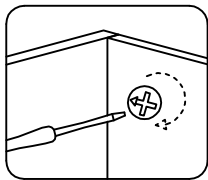
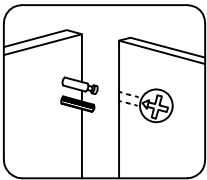


6.2

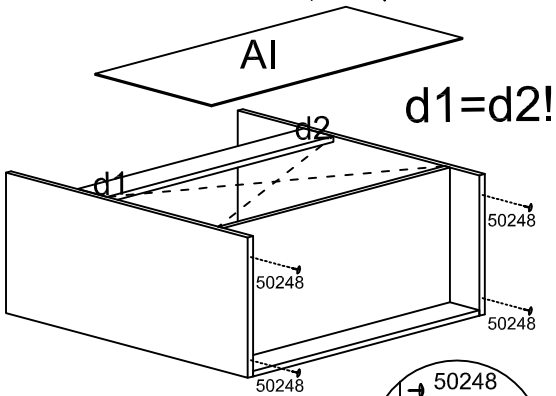
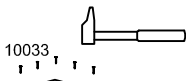


6.3

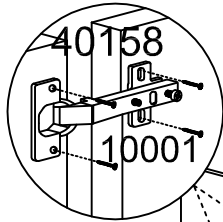
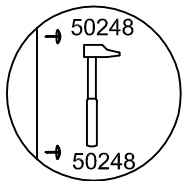




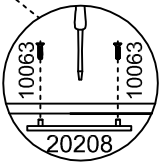
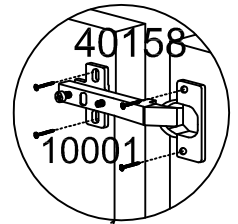
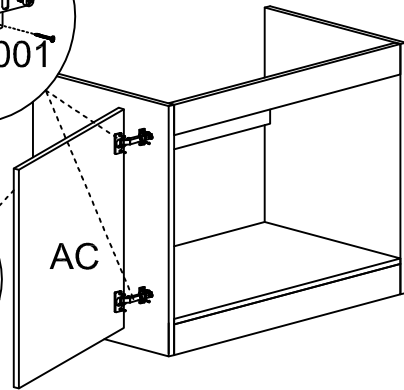
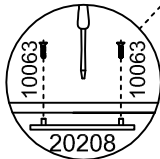
6.4



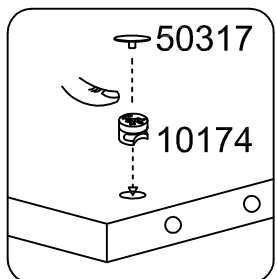
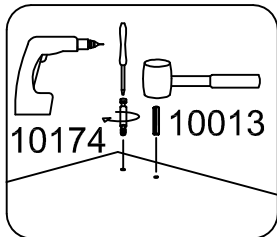
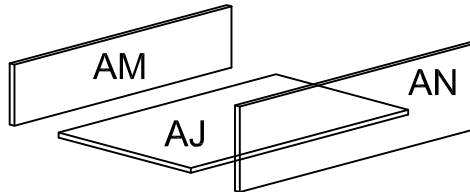
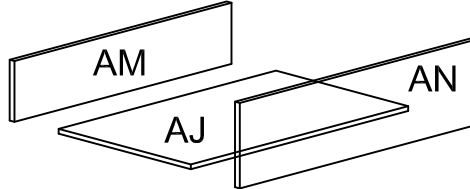
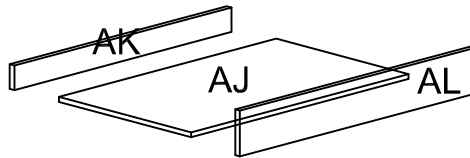
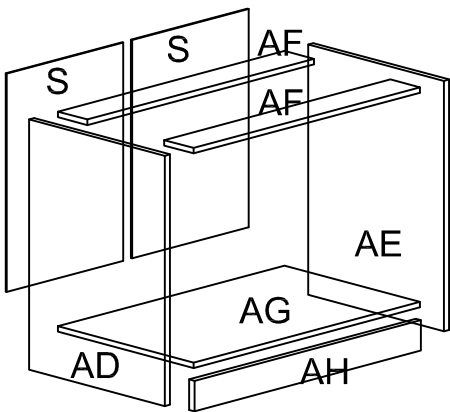
d1=d2!



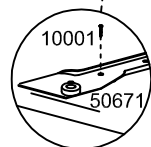
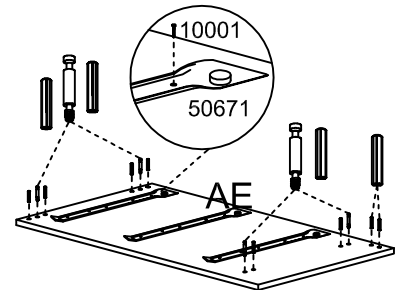
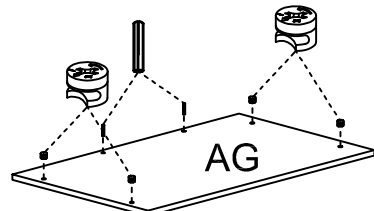
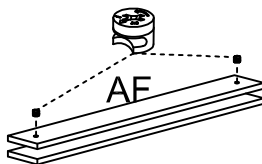
6.5

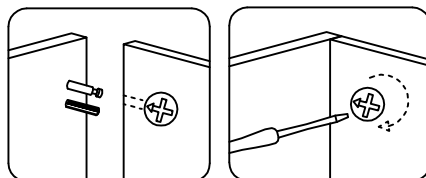
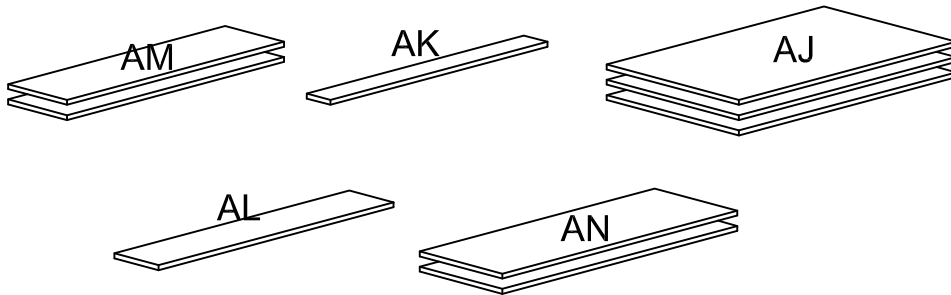


7

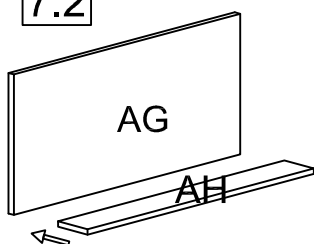


7.1

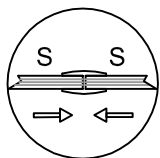
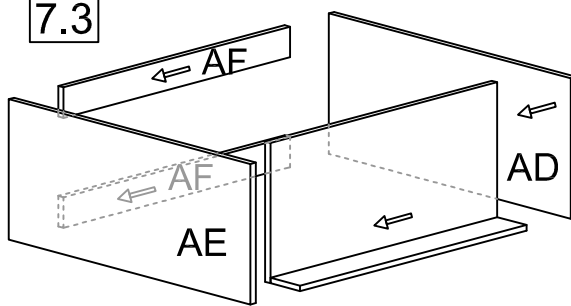




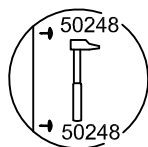
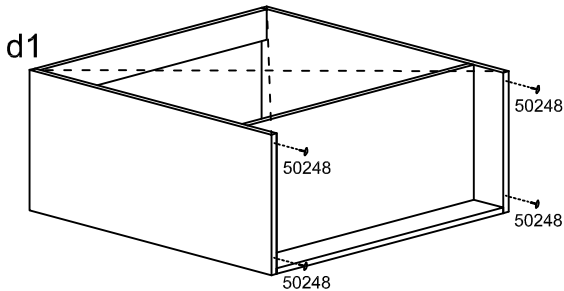
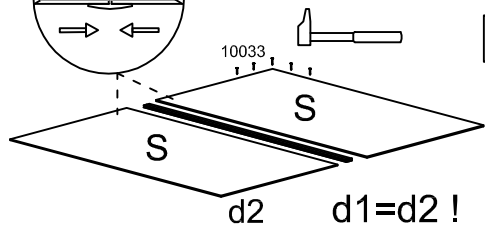
7.2



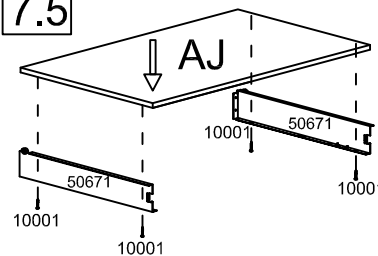
7.3



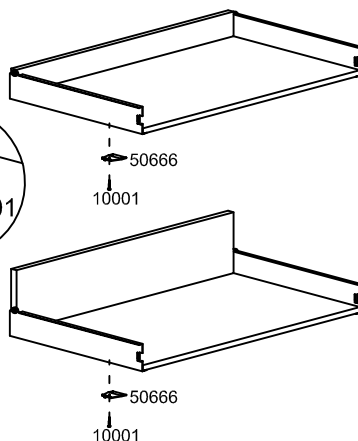
7.4



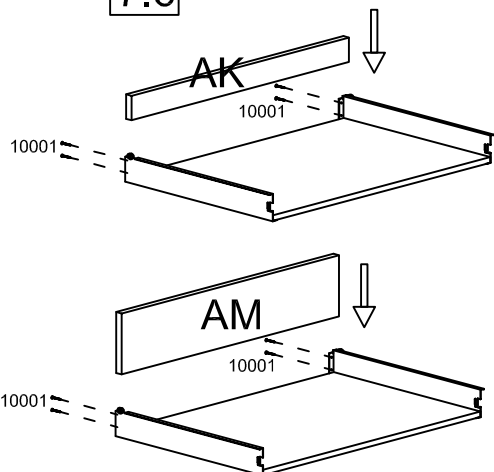
7.5

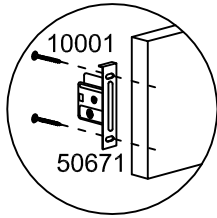
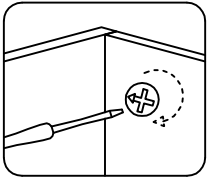
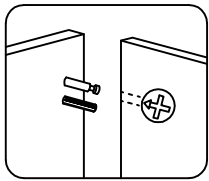


7.7

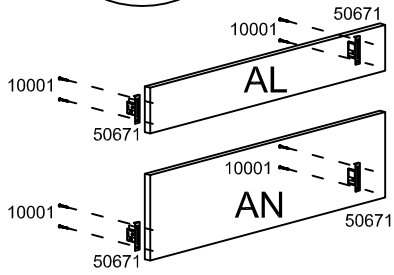


7.6

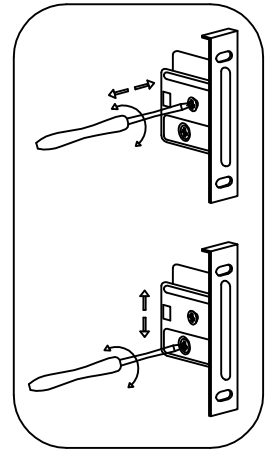
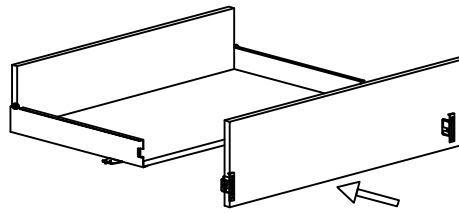
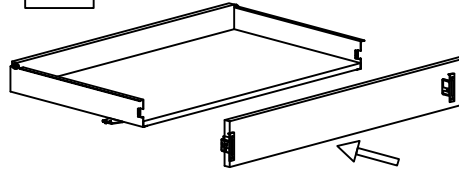




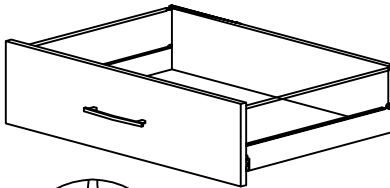
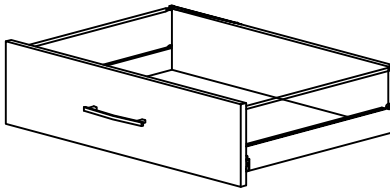
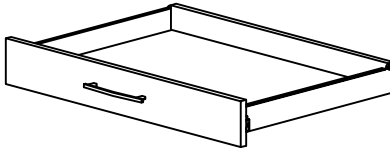
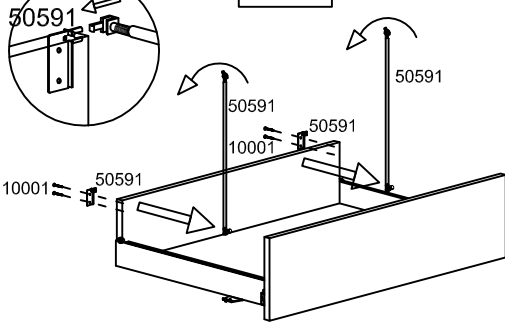
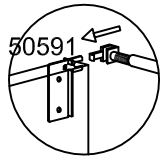
7.8



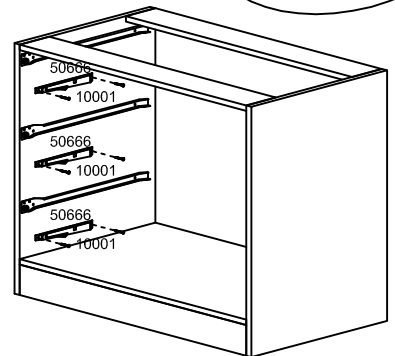
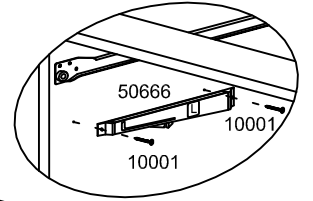
7.9



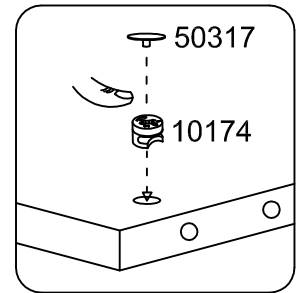
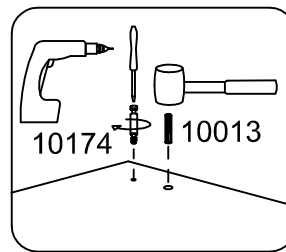
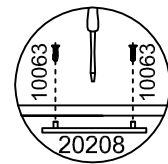
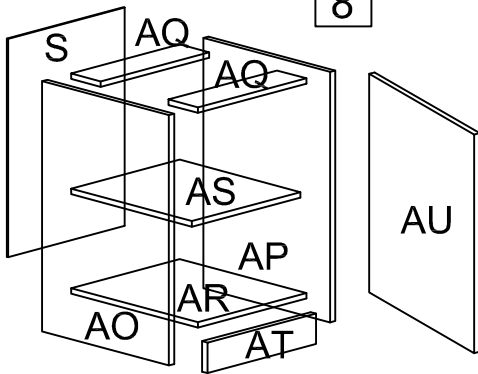
7.10



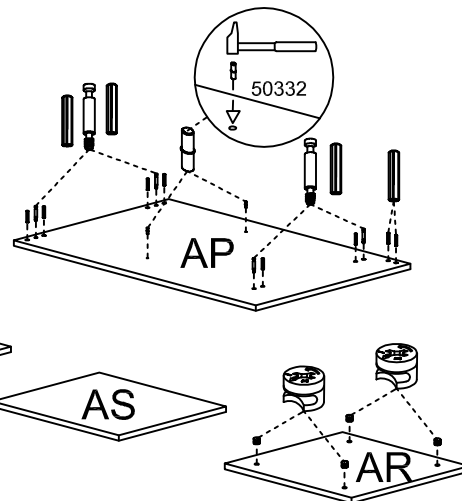
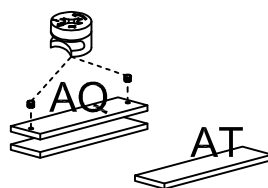
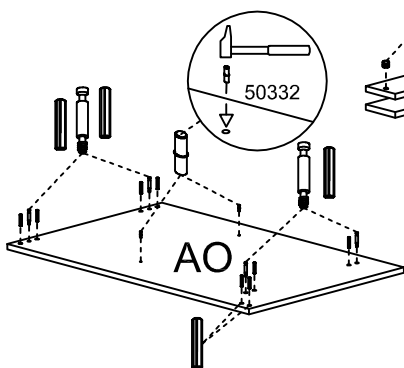
7.11



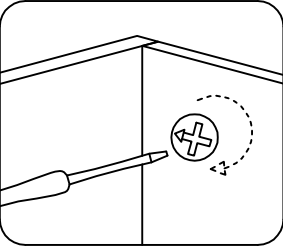
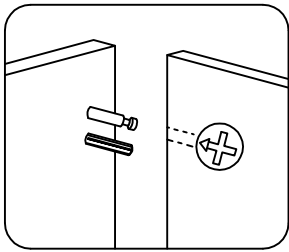
8



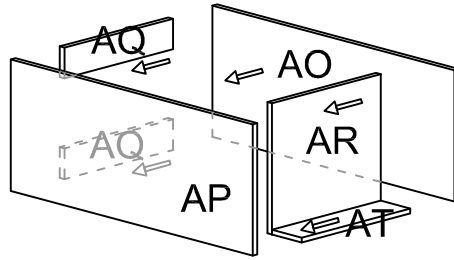
8.1



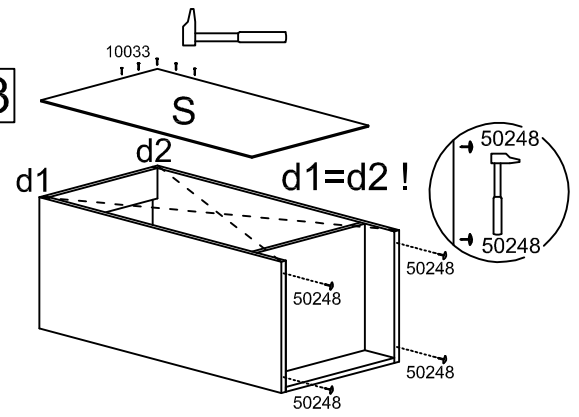




8.2



8.3



8.4

