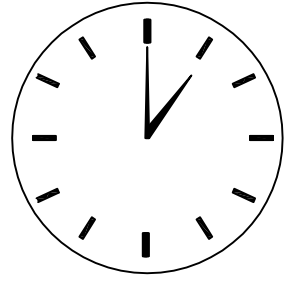
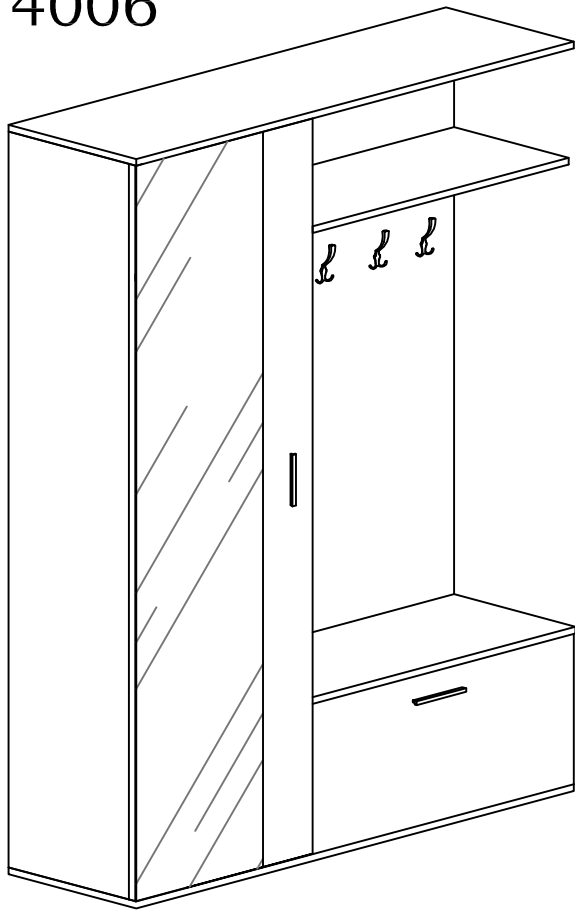
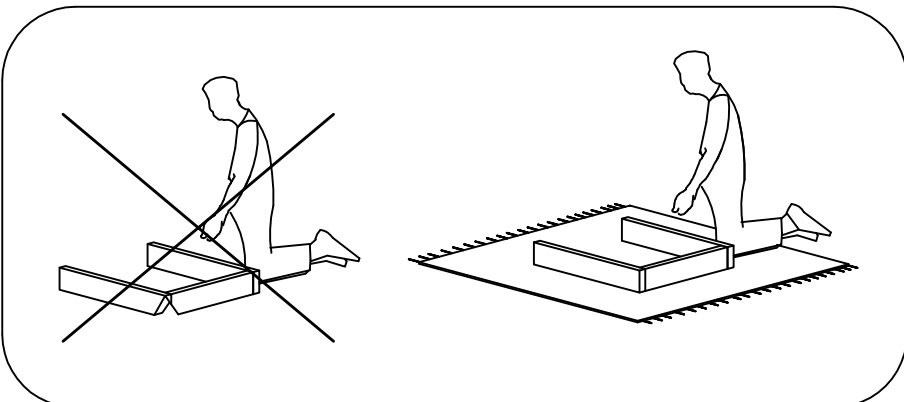
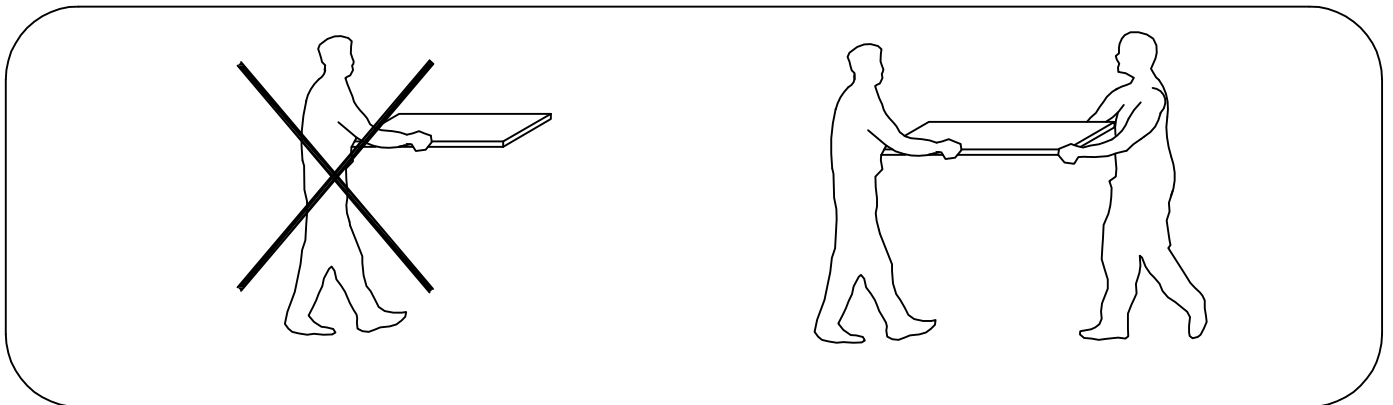
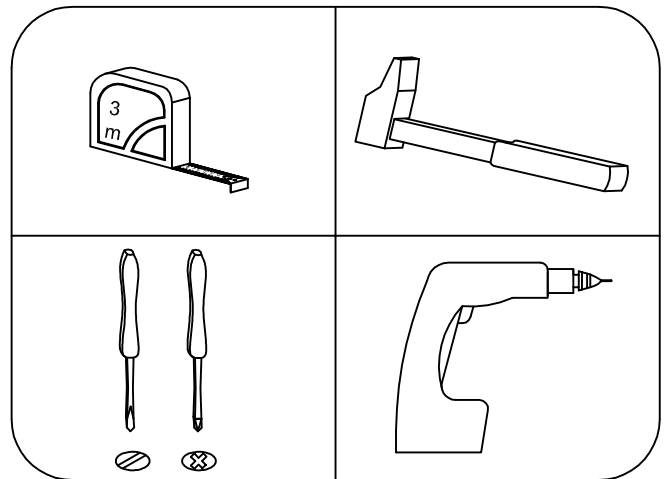
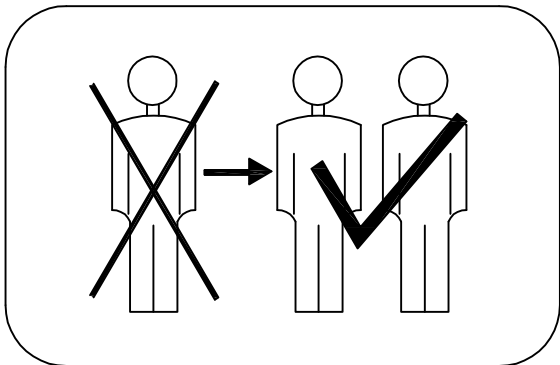


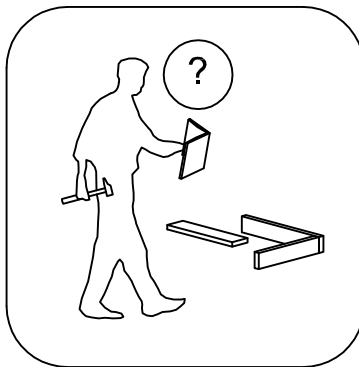
City 4006

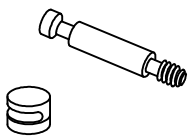
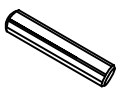
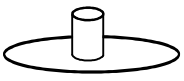
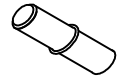
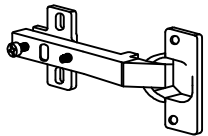
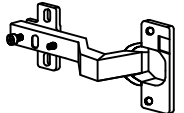
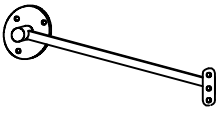

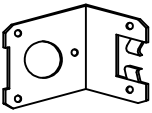
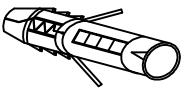


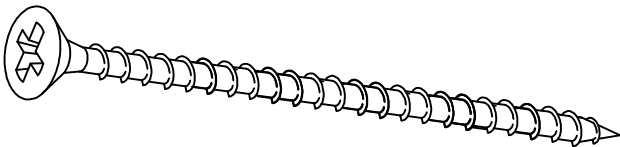
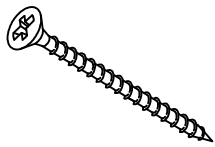


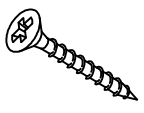
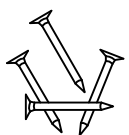


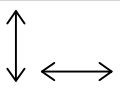
2 ч.

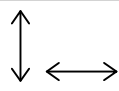


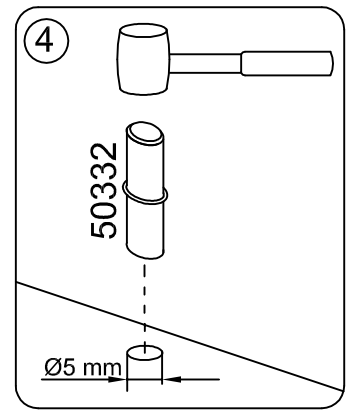
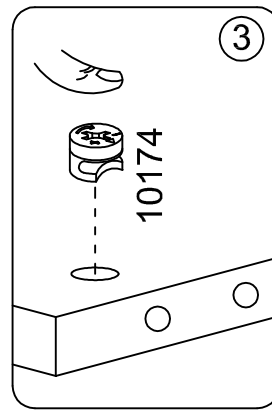
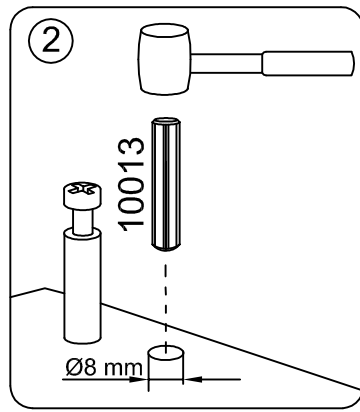
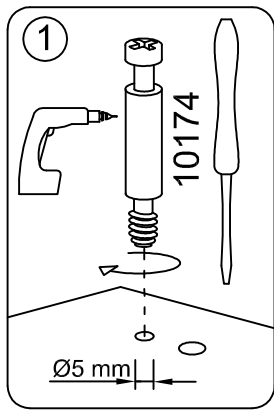
<http://www.irimbg.com/instructions/>



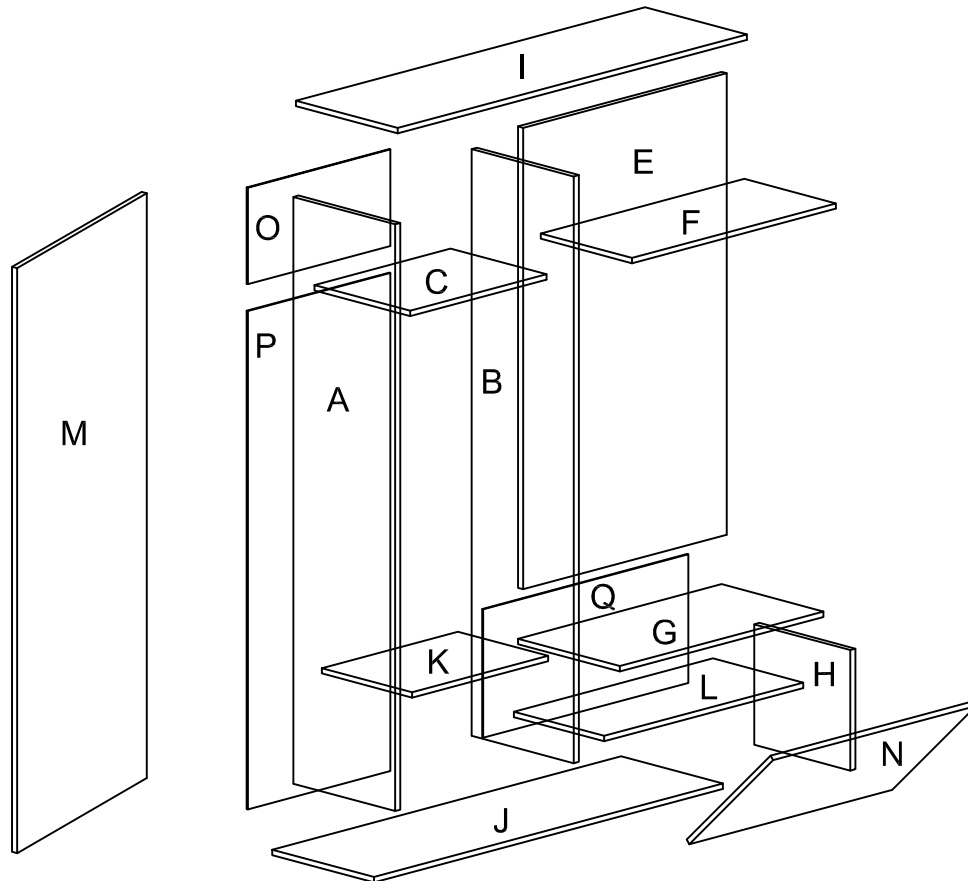
28x  10174 Φ 8/30	28x  10013	28x  50317	8x  50332
3x  40158	2x  40163	1x  40011	2x  20106
3x  50985	3x  10060	1x  L 300mm 50007	3x  30016
3x  Φ 6/80 10021	4x  Φ 4/30 10256	6x  50246	
30x  Φ 3,5/16 10001	18x  Φ 3,5/20 10002	 10033	

		Box number
A	1948x330	1/4
B	1948x330	1/4
C	468x330	2/4
E	1532x700	3/4
F	700x314	2/4
G	700x350	2/4
H	400x330	2/4
I	1200x350	3/4

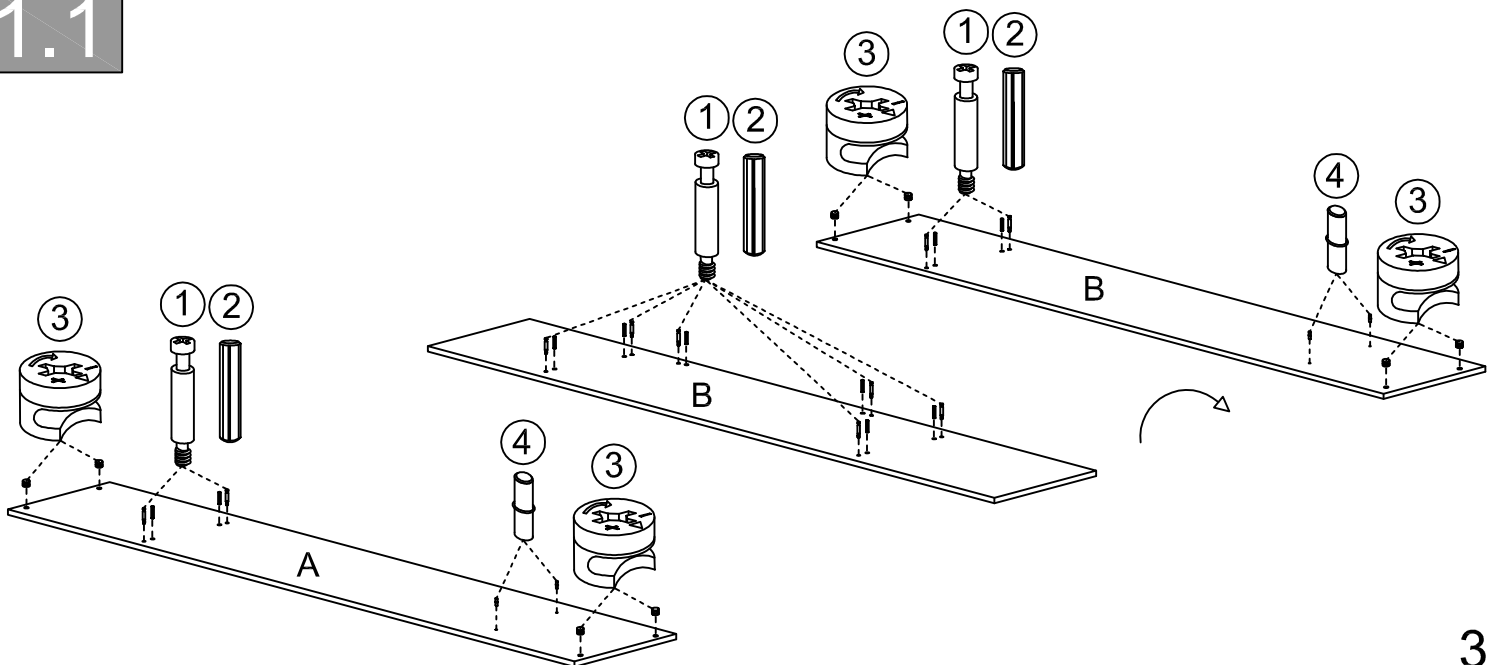
		Box number
J	1200x350	3/4
K	468x310	2/4
L	684x310	3/4
M	1942x497	4/4
N	394x697	2/4
O	320x490	4/4
P	1654x490	4/4
Q	427x705	4/4

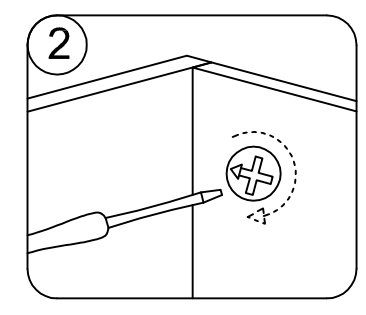
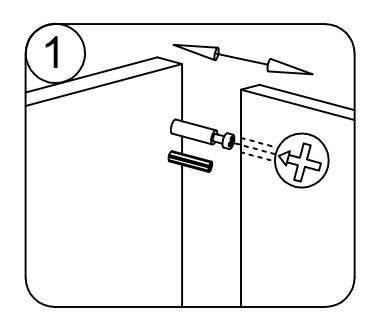
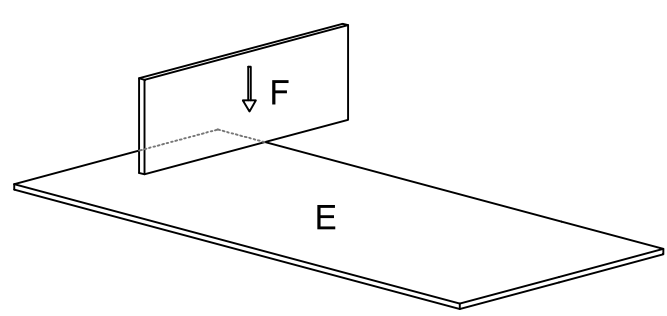
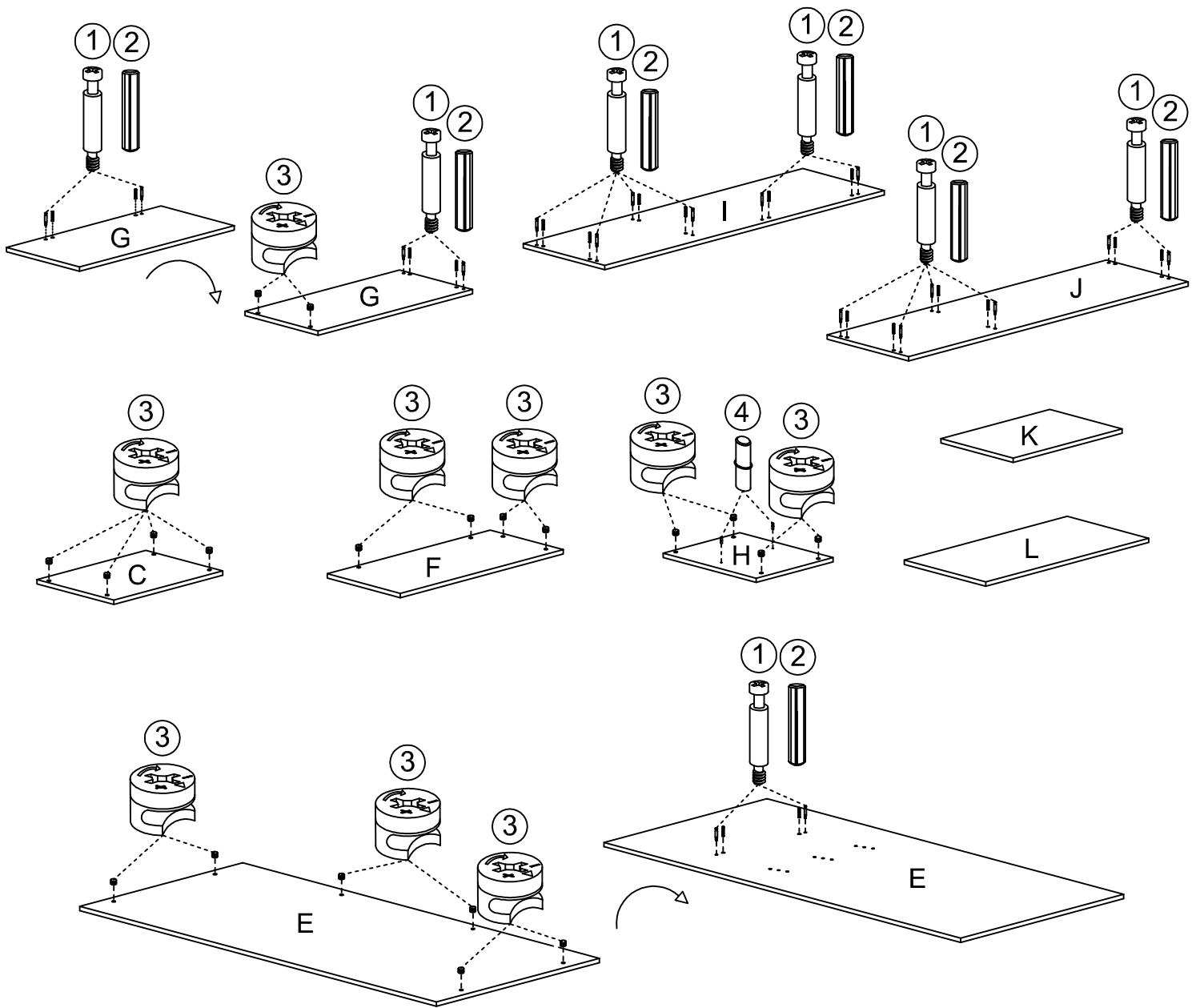


1

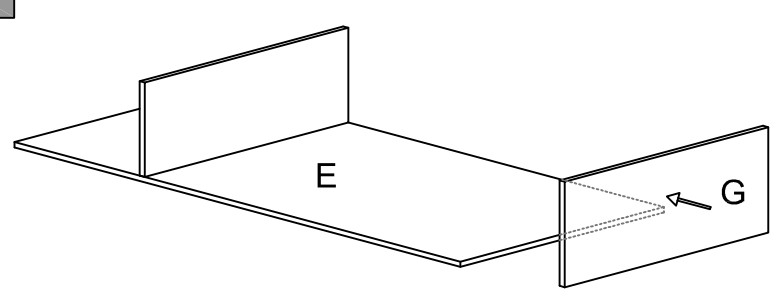


1.1

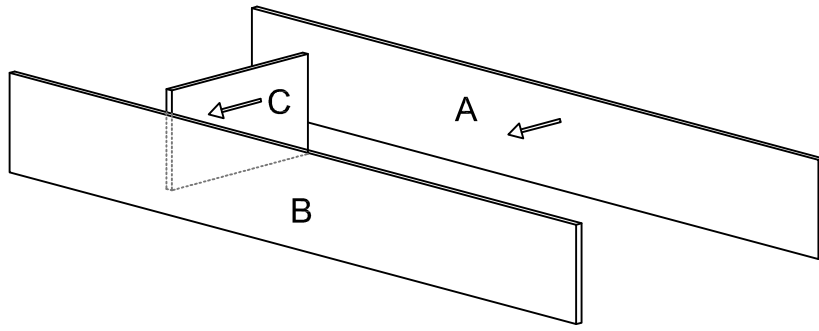




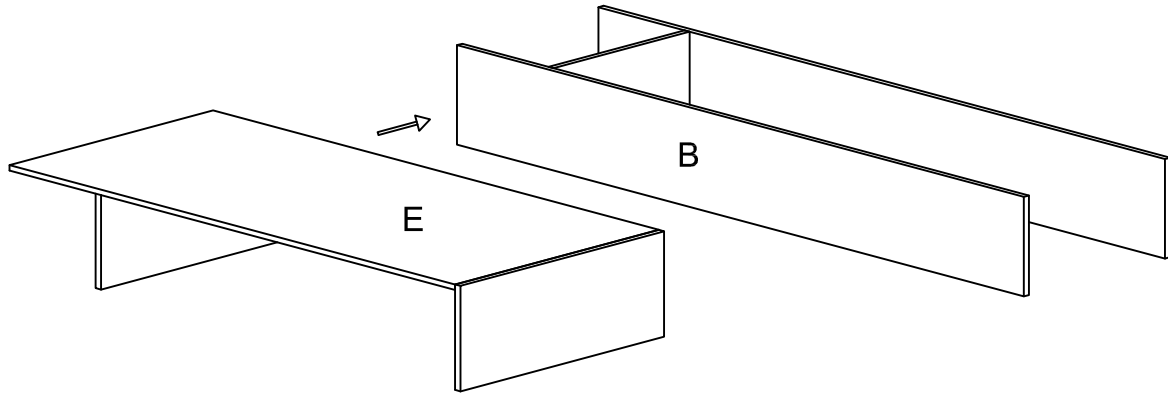
1.3



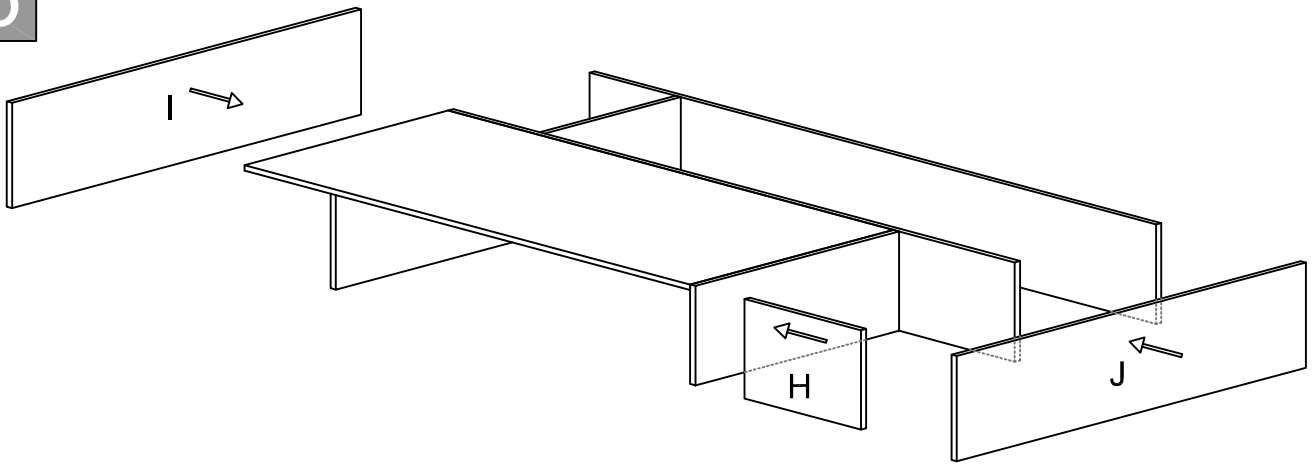
1.4



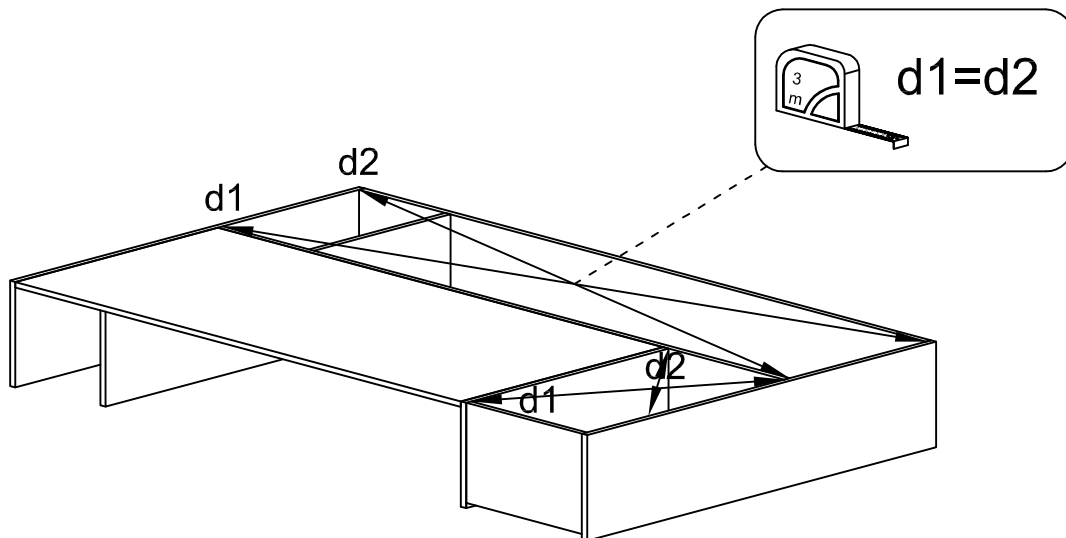
1.5



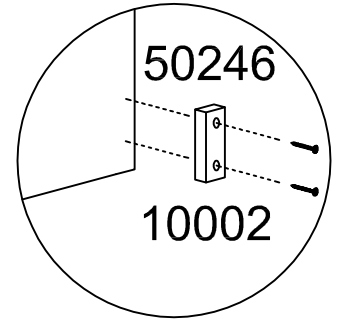
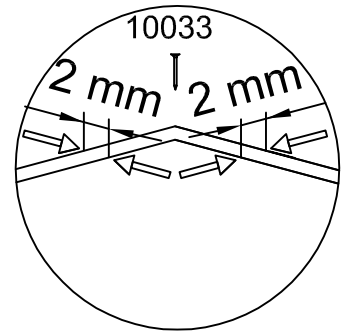
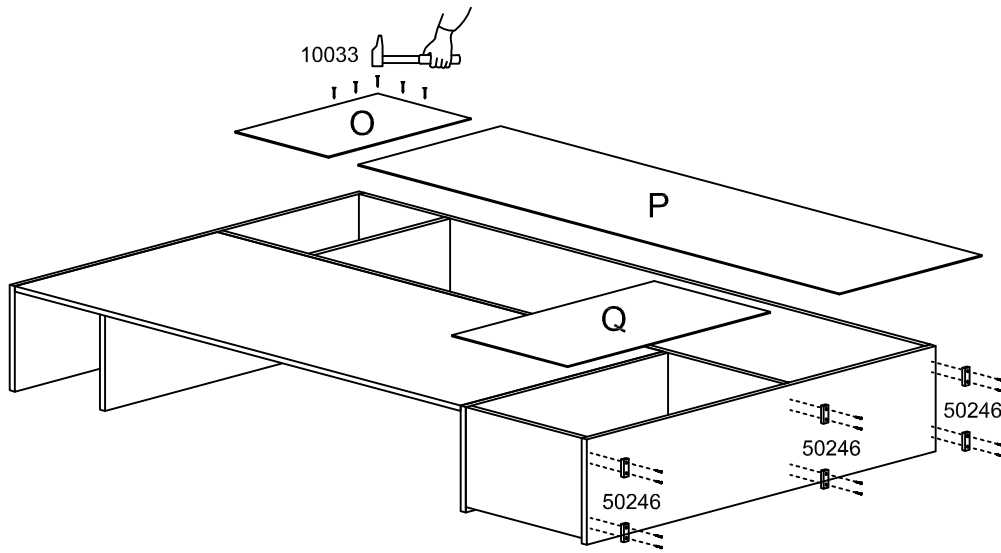
1.6



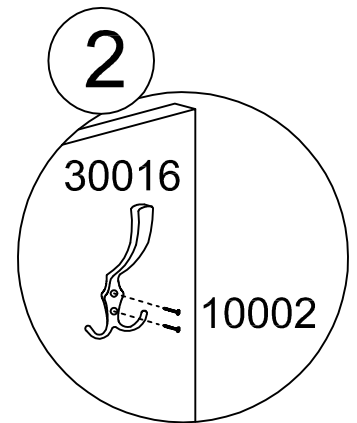
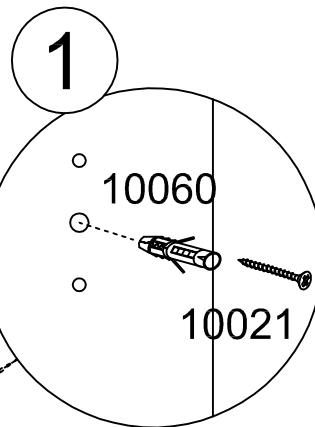
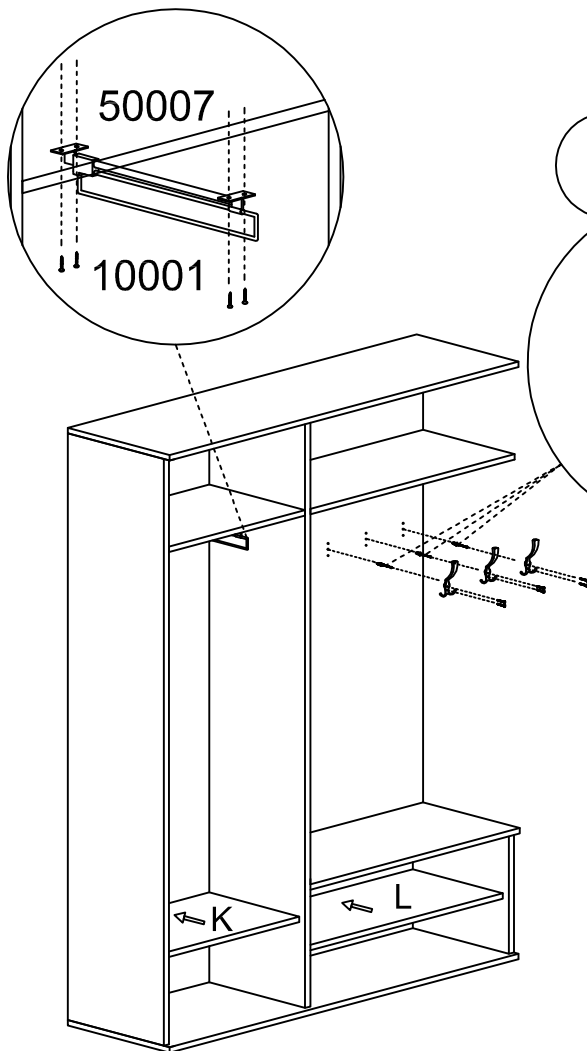
1.7



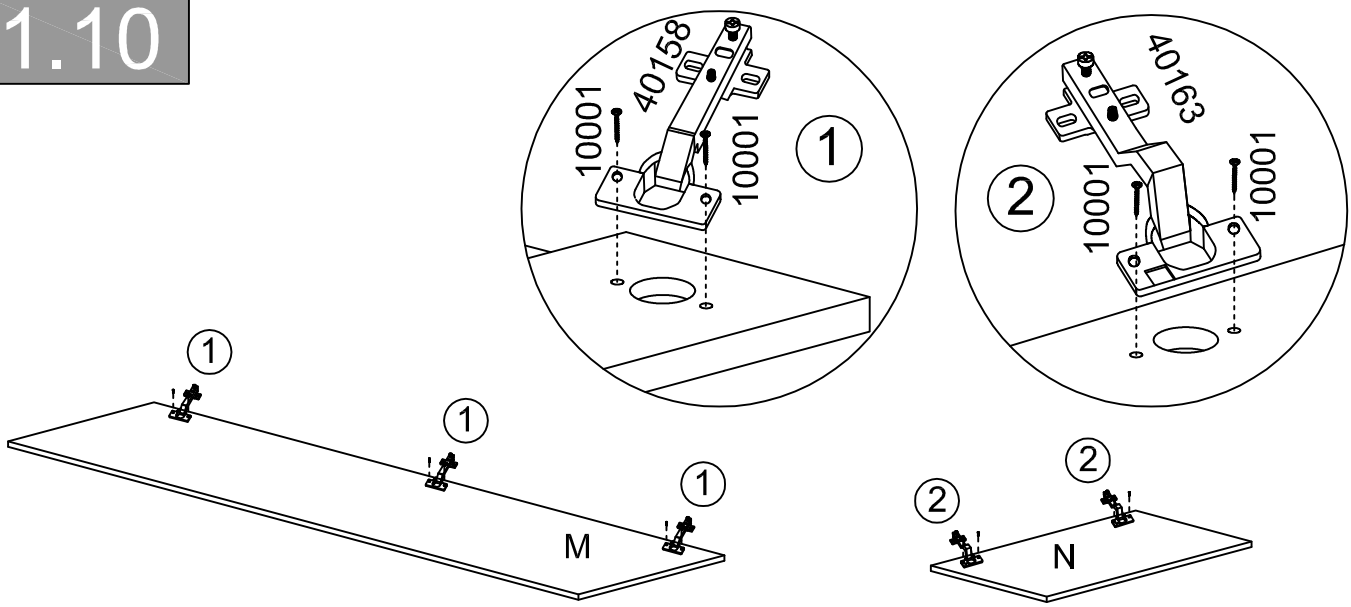
1.8



1.9



1.10



1.11

