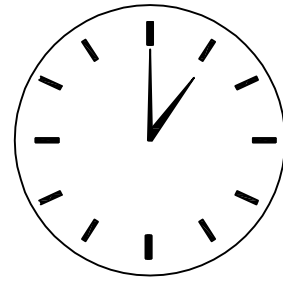
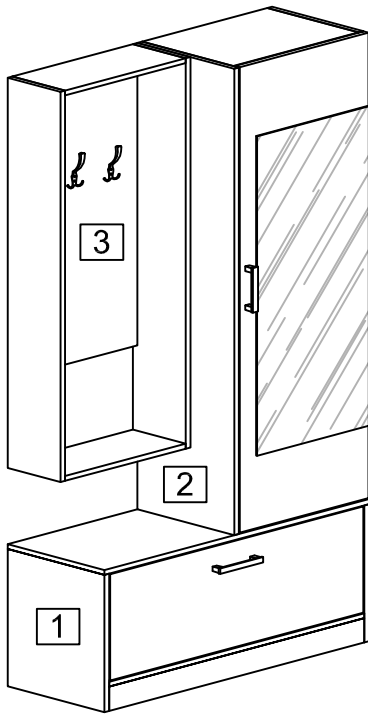
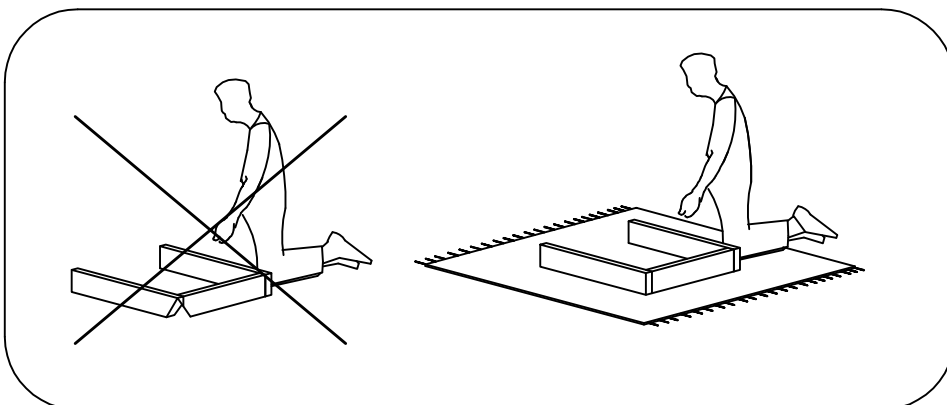
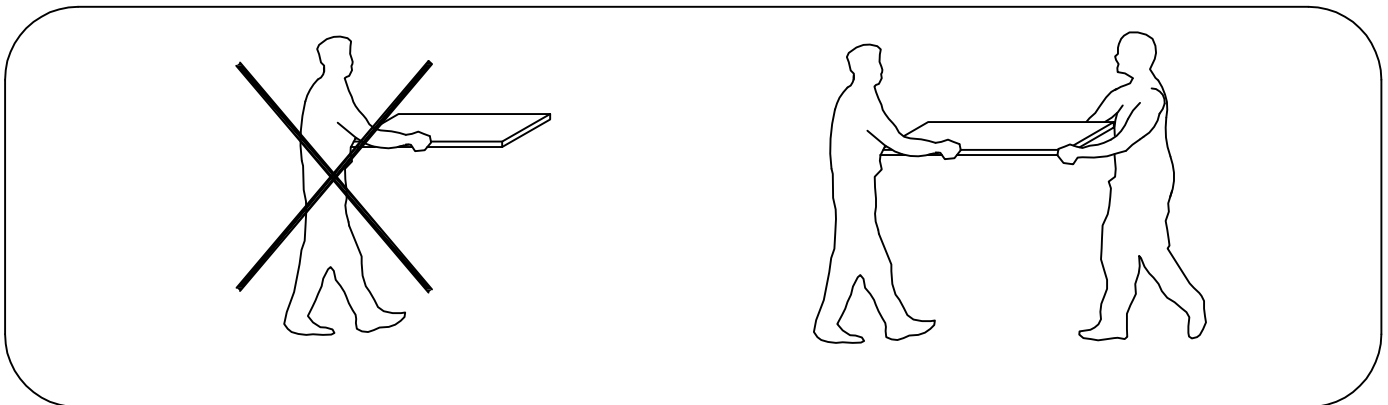
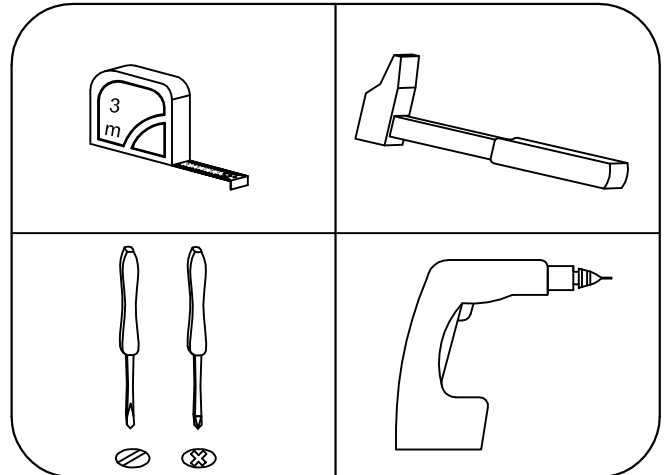
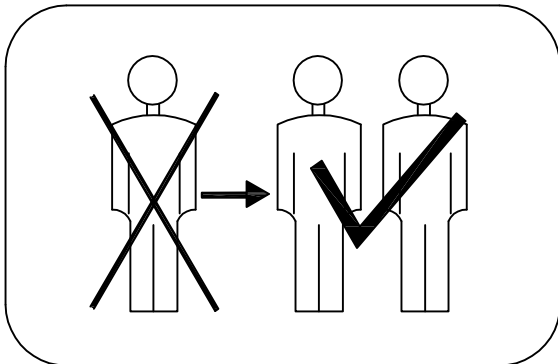


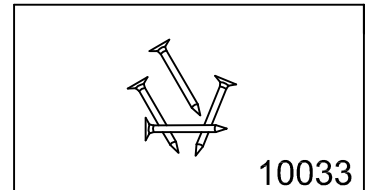
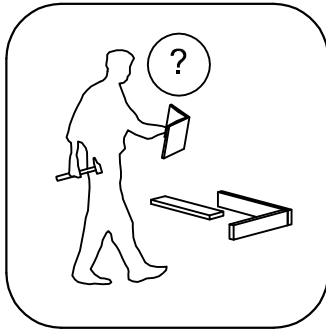
City 4005

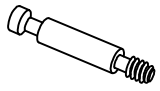

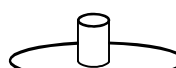
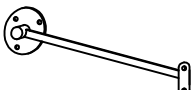
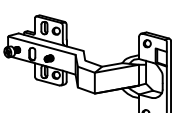
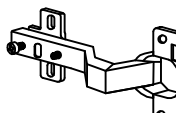


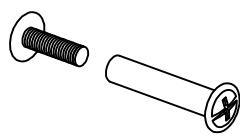

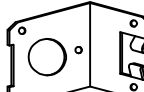
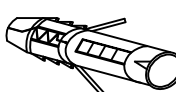
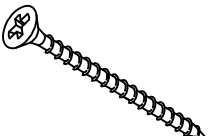

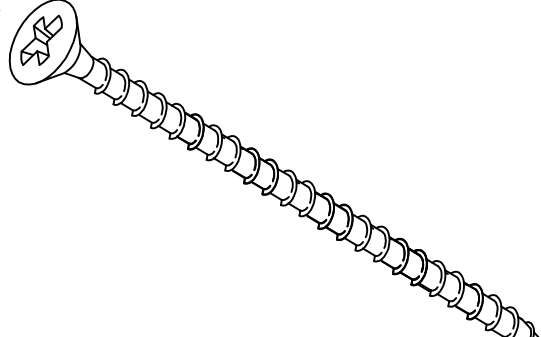

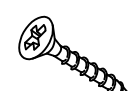


120 min.



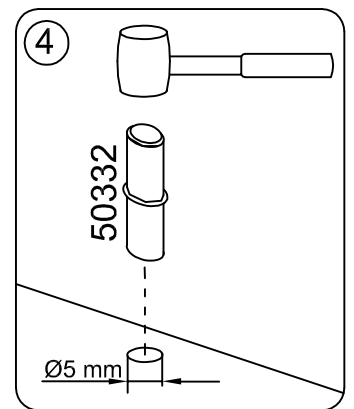
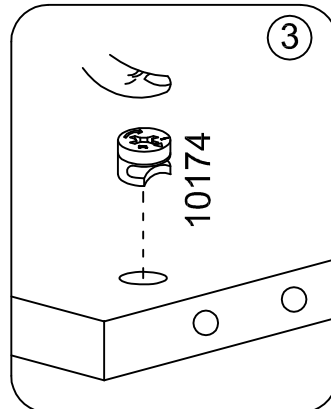
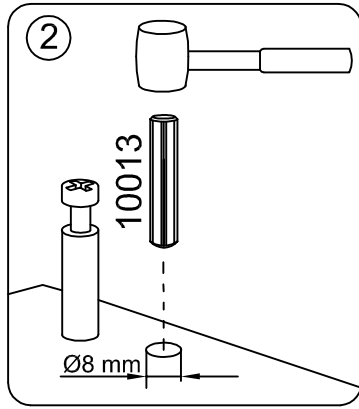
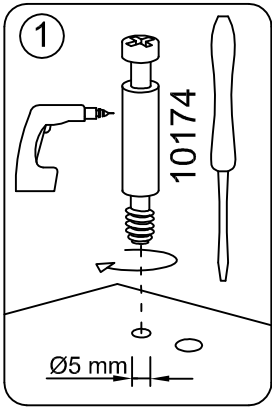
<http://www.irimbg.com/instructions/>



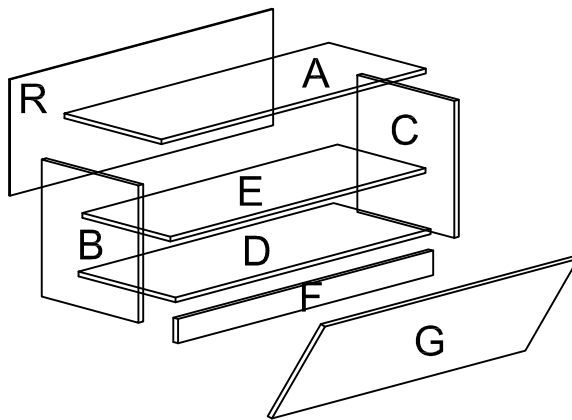
32x  10174	36x  Φ 8/30 10013	32x  50317	1x  40011
3x  soft closing 40160	2x  40163	4x  50246	14x  50332
4x  10037	2x  20215	2x  50108	4x  10060
4x  Φ 4/30 10006	2x  30023	4x  10021	
12x  Φ 3,5/20 10002	30x  Φ 3,5/16 10001		

	↑ ↕ ↔	Box number
A	900x330	1/5
B	451x330	1/5
C	451x330	1/5
D	868x330	1/5
E	868x300	1/5
F	868x80	1/5
G	862x349	1/5
H	2x 426x310	1/5
I	1553x310	2/5
J	1553x330	2/5

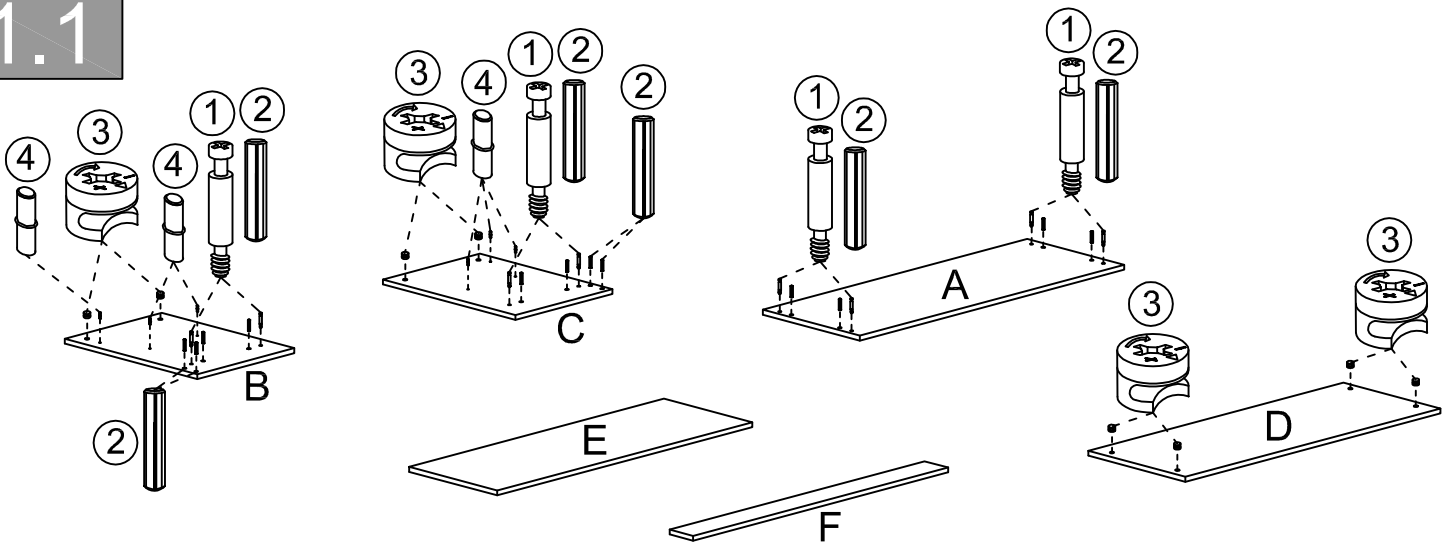
	↑ ↕ ↔	Box number
K	426x300	1/5
L	2x 426x300	1/5
M	1530x438	3/5
N	2x 410x180	4/5
O	1283x180	4/5
P	1283x180	4/5
Q	970x410	5/5
R	382x895	5/5
S	4x 453x382	5/5
T	2x 425x15	5/5



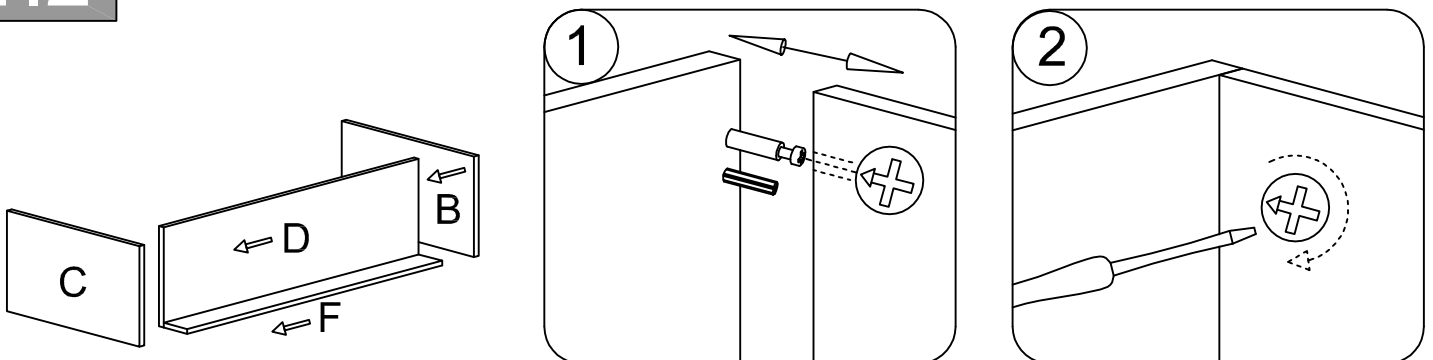
1



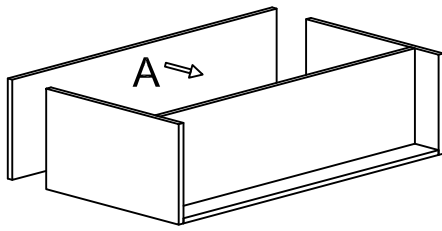
1.1



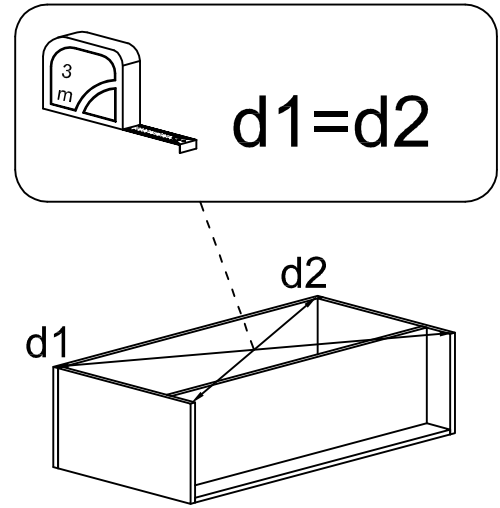
1.2



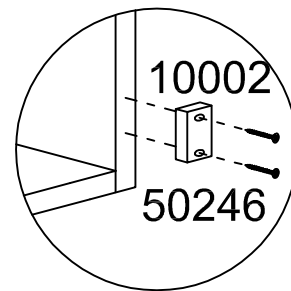
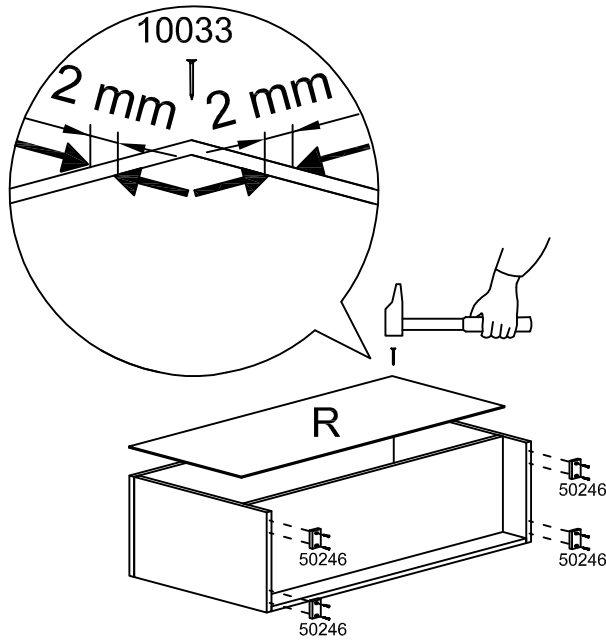
1.3



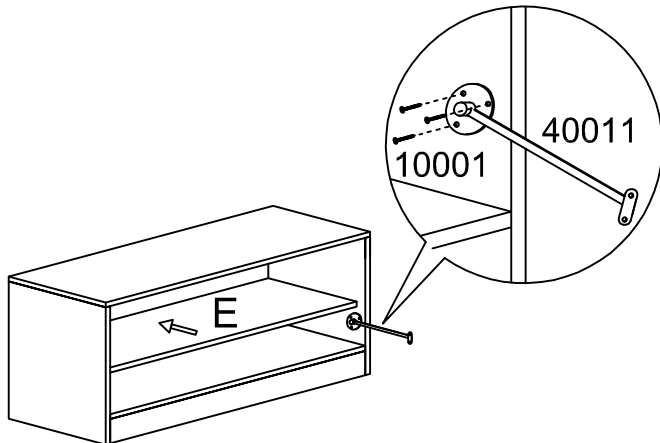
1.4



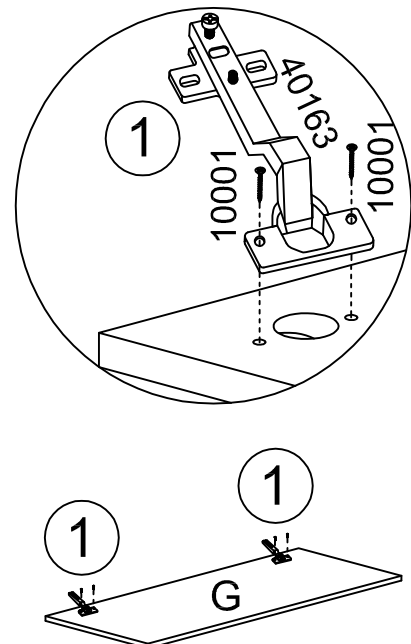
1.5



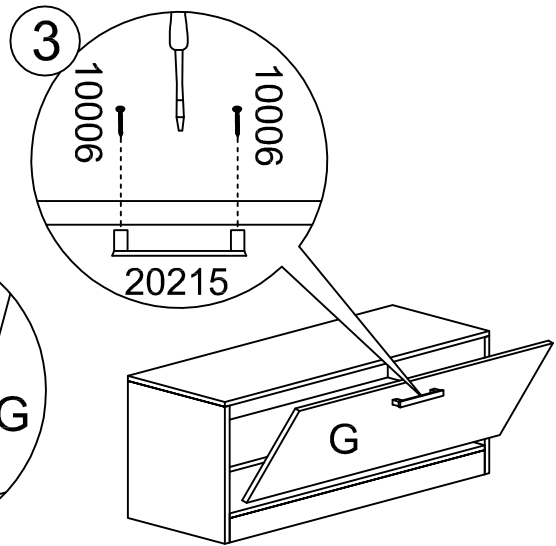
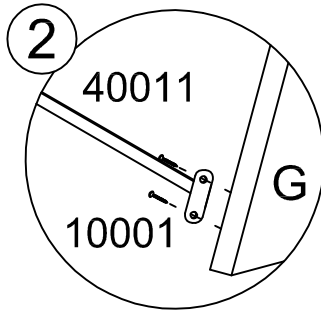
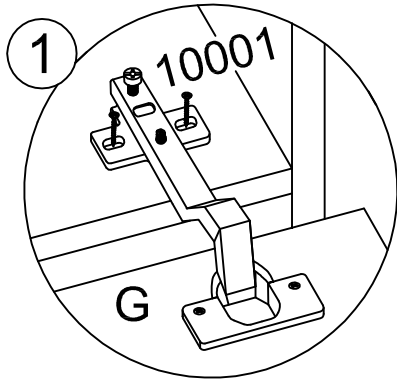
1.6



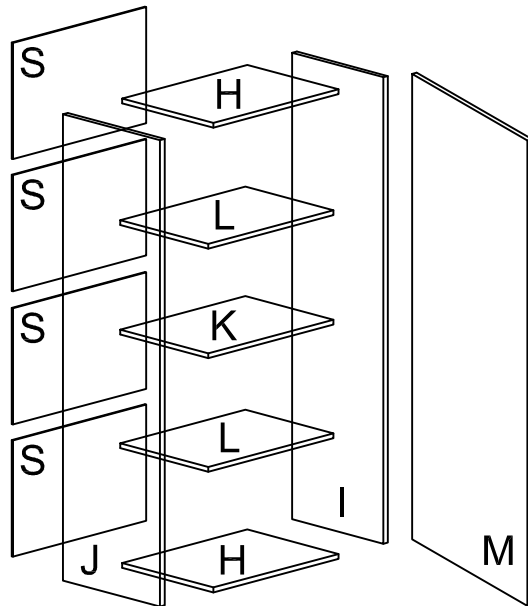
1.7



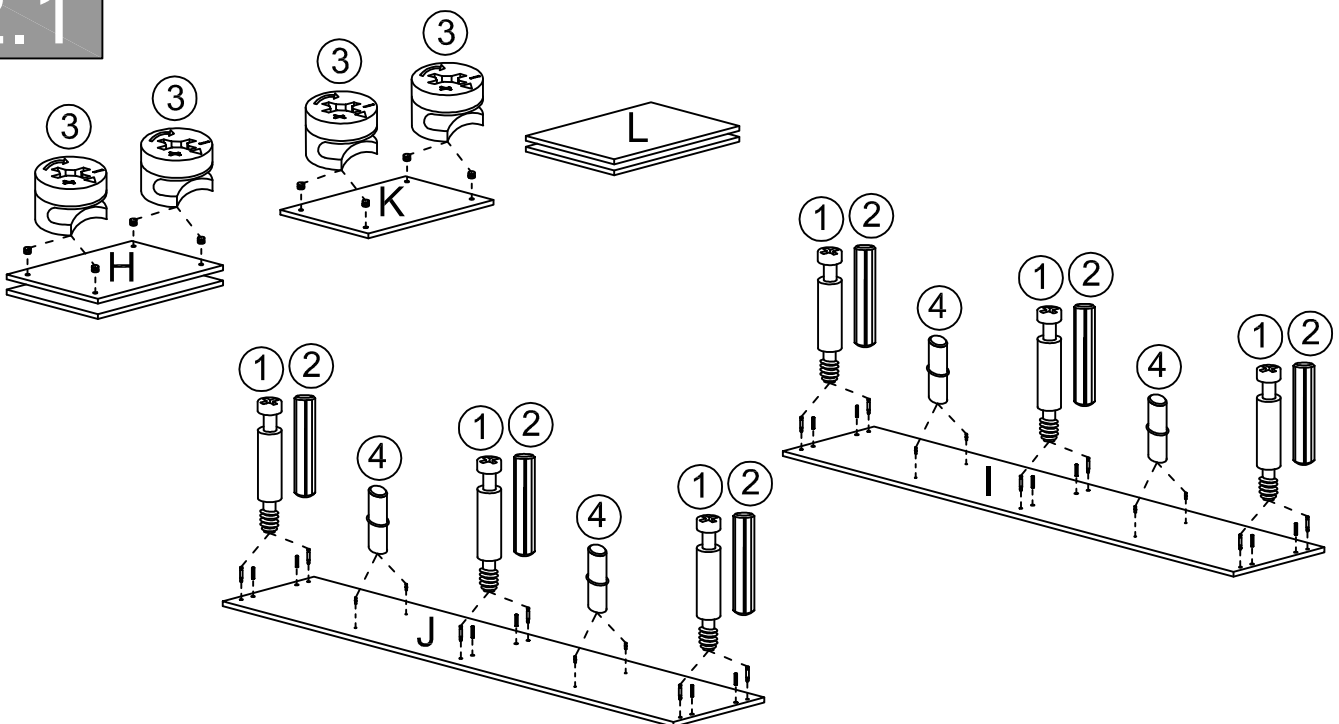
1.8



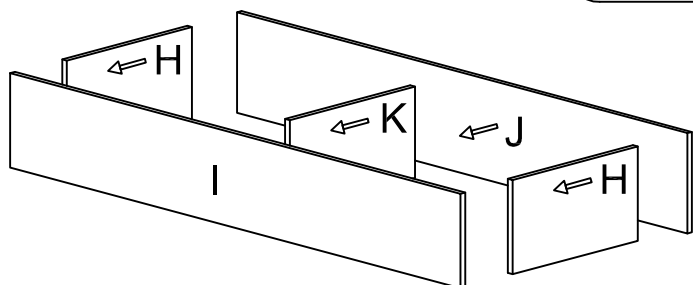
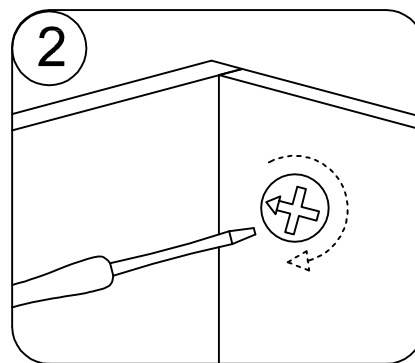
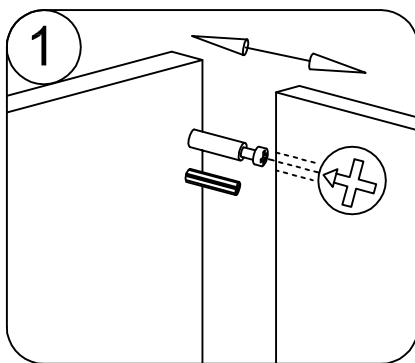
2



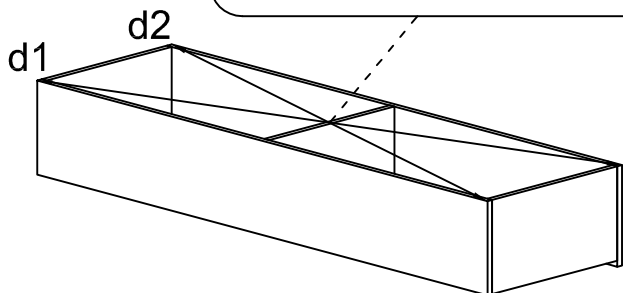
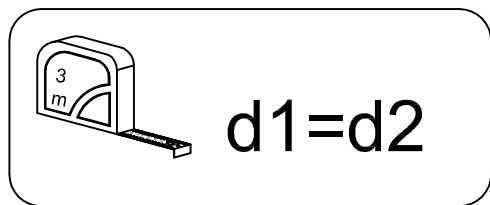
2.1



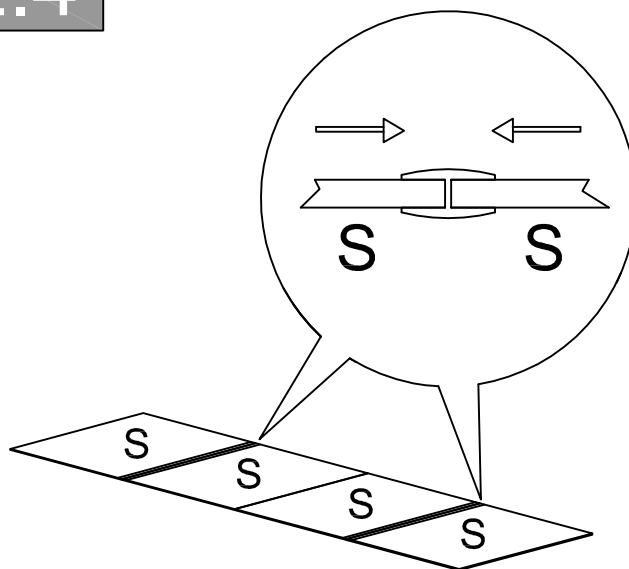
2.2



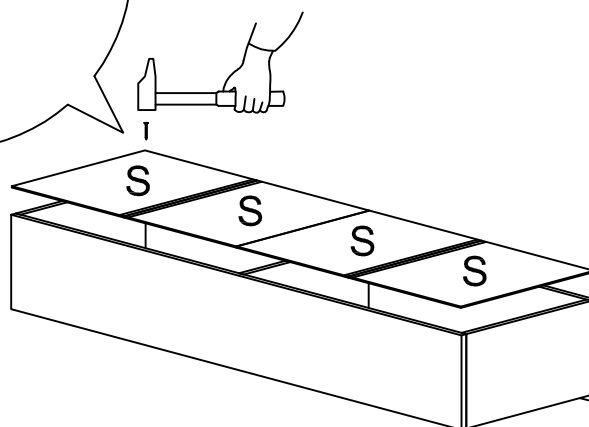
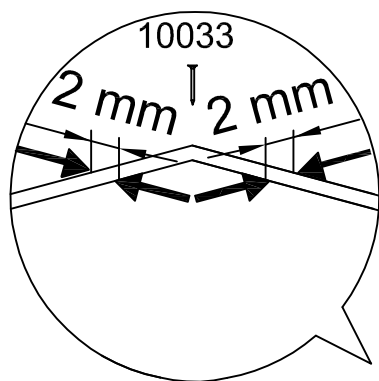
2.3



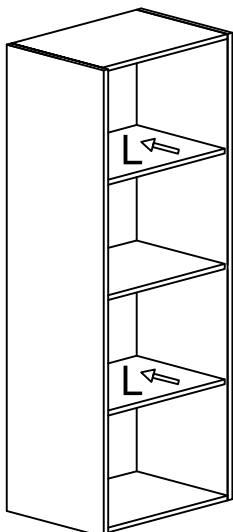
2.4



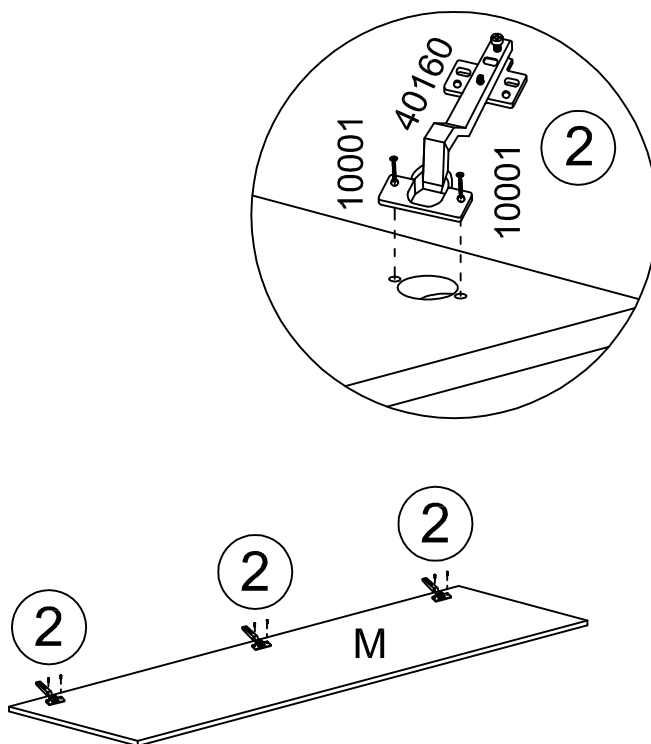
2.5



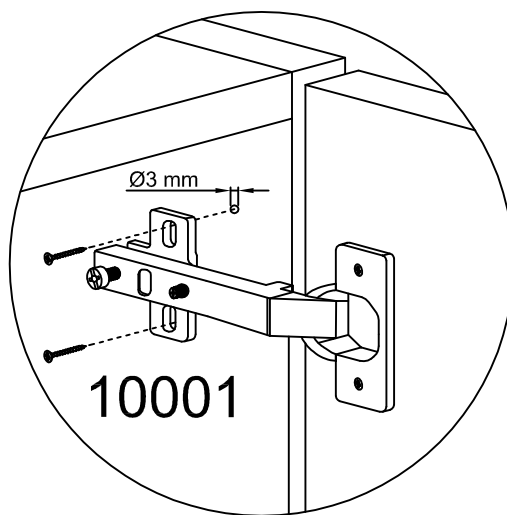
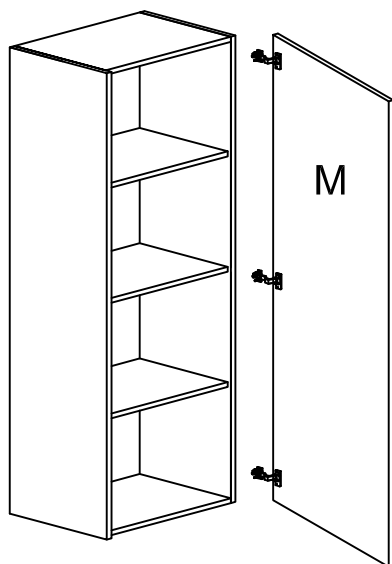
2.6



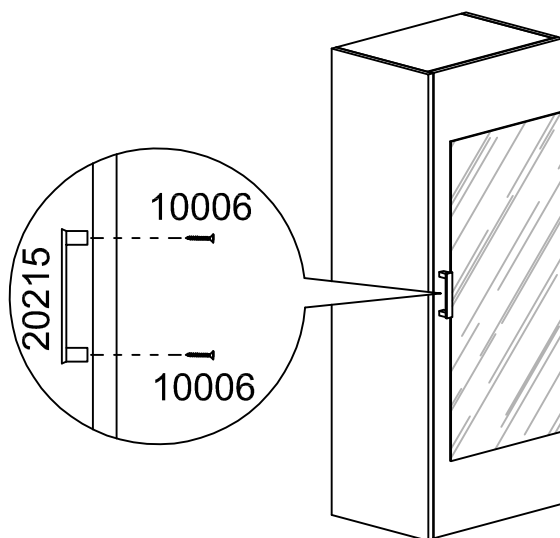
2.7



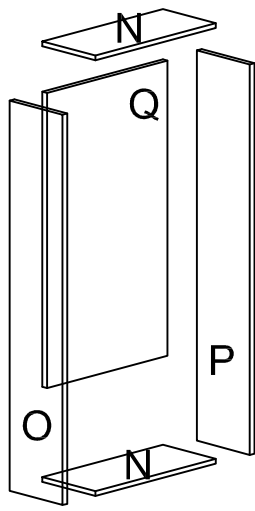
2.8



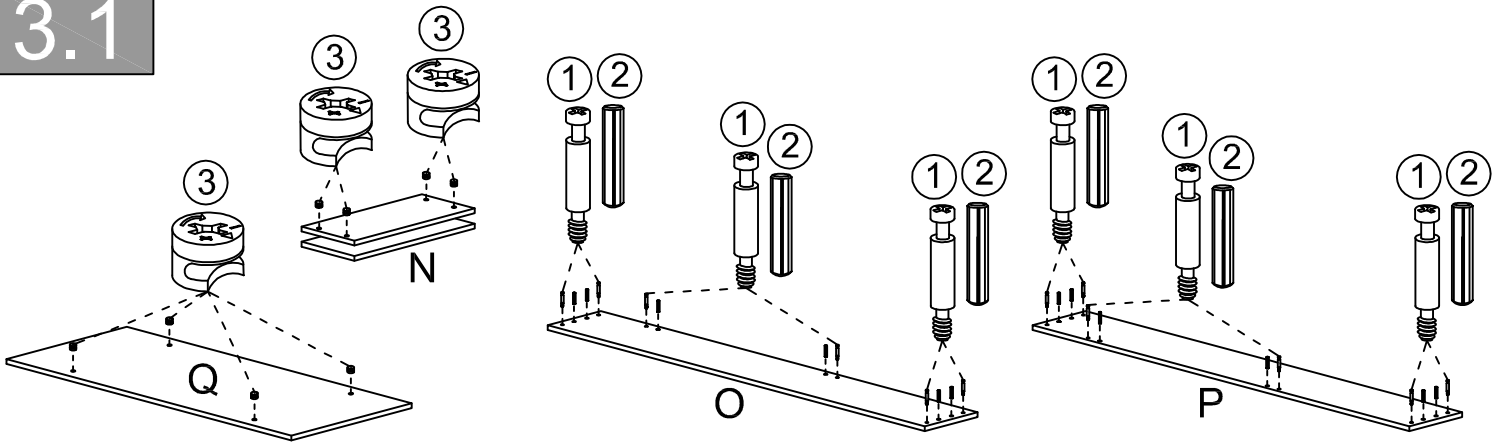
2.9



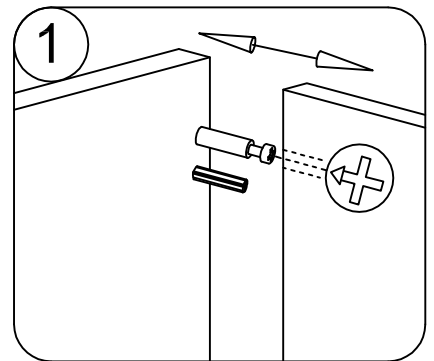
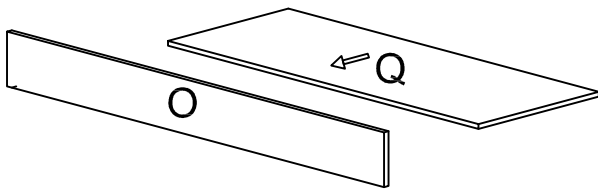
3



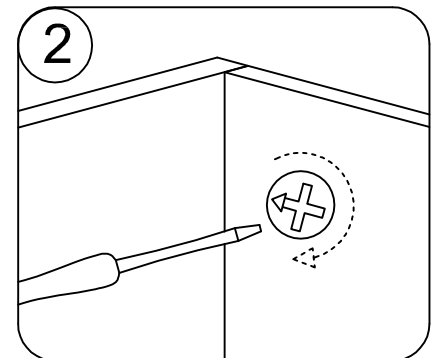
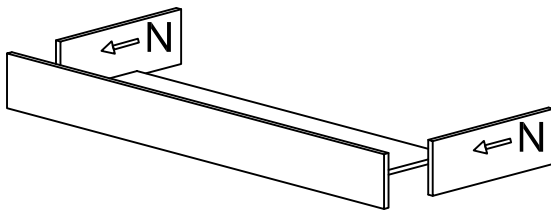
3.1



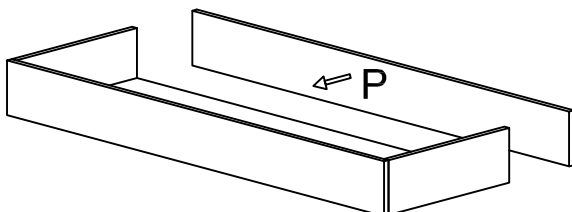
3.2



3.3

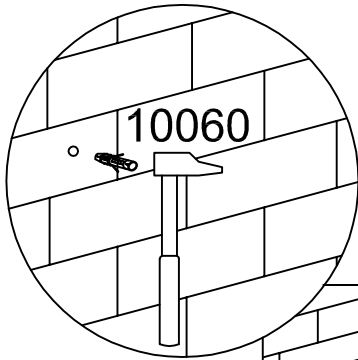
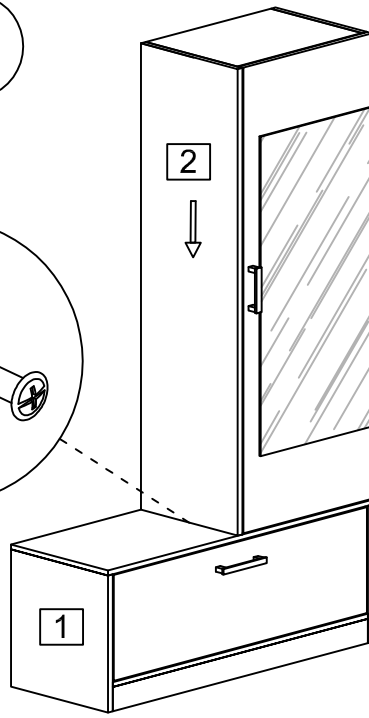
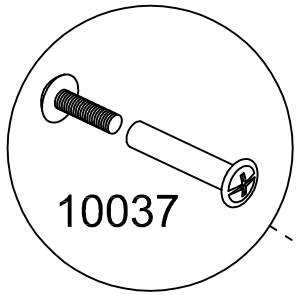


3.4

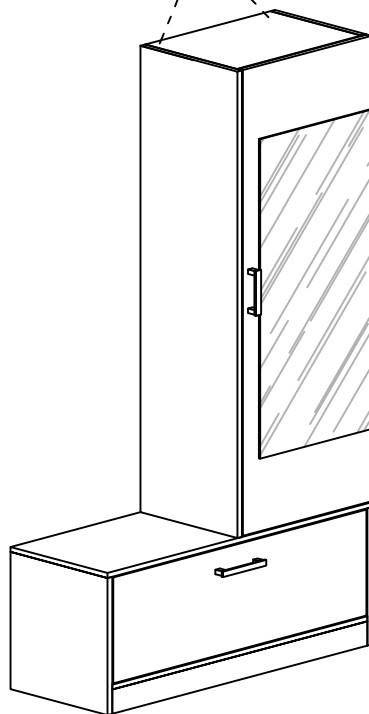
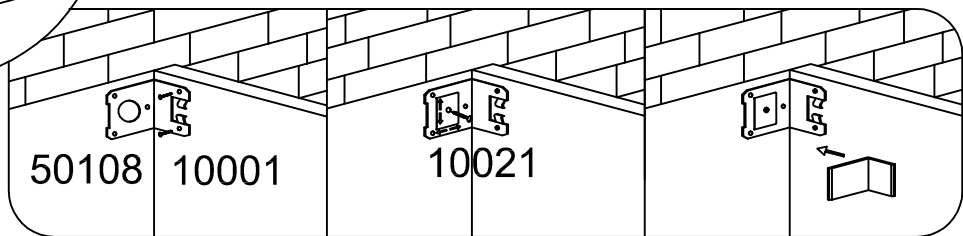


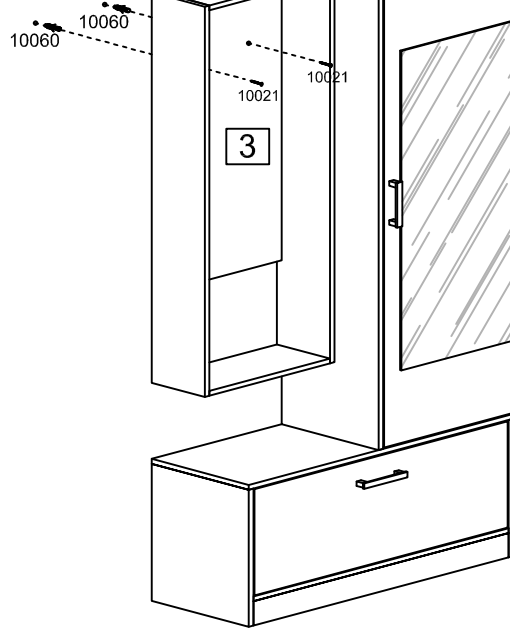
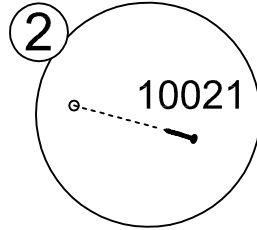
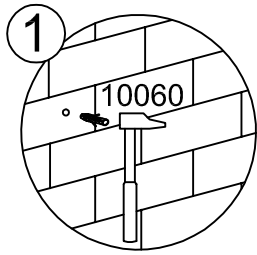
V1

1

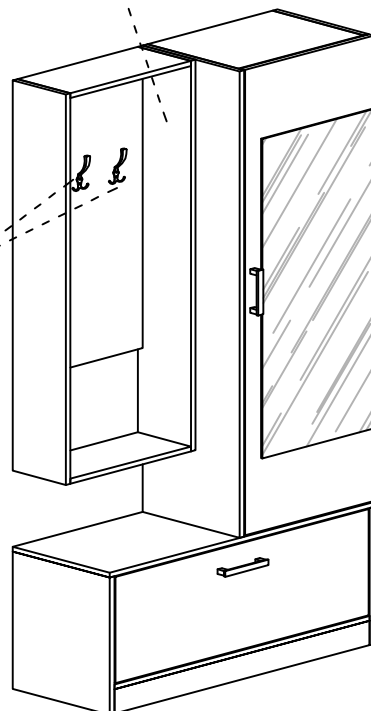
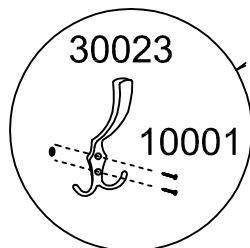
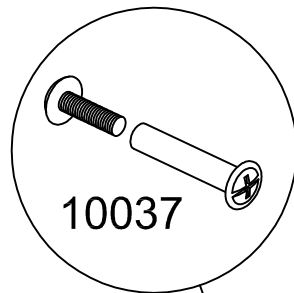


2





3



4

V2

