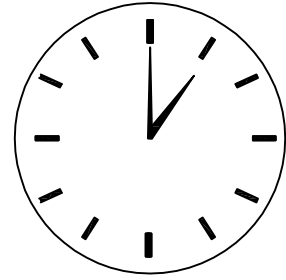
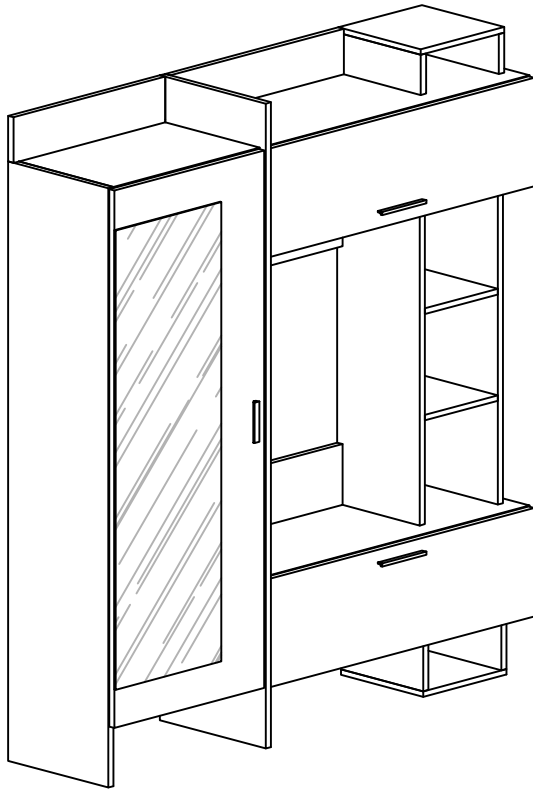
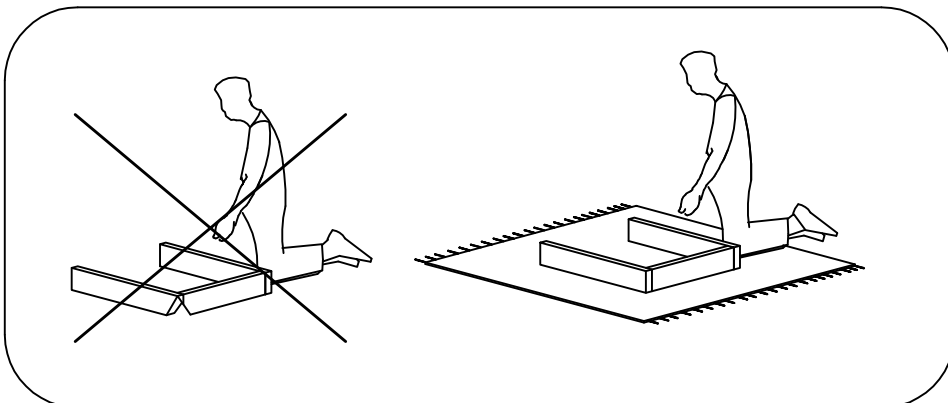
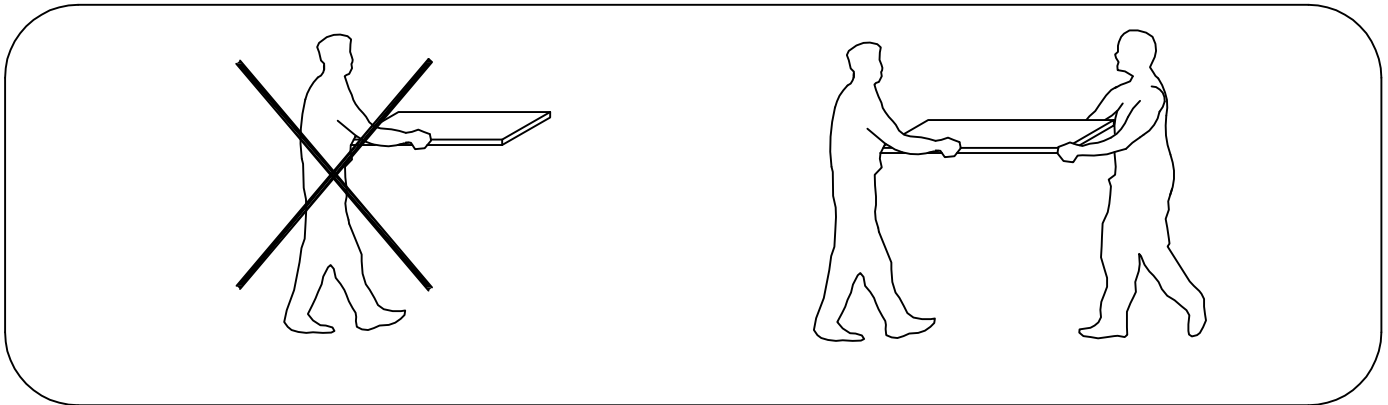
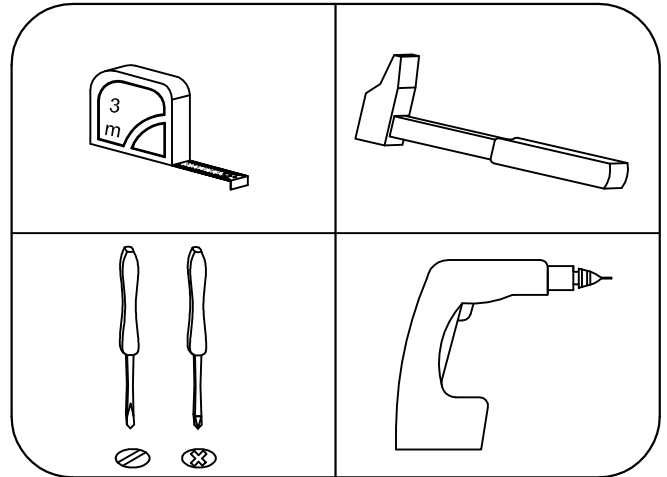
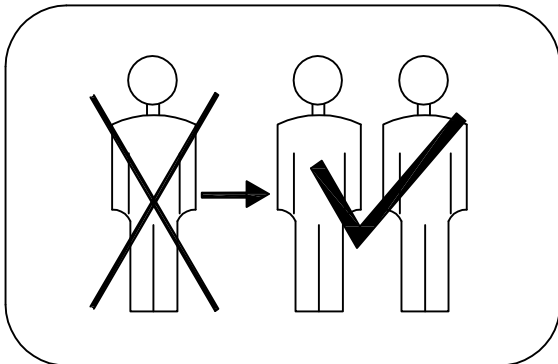


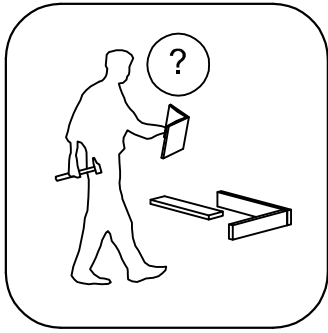
City 4002

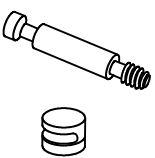


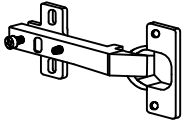
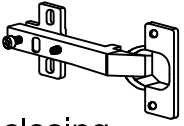

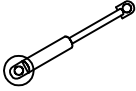
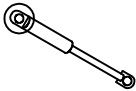
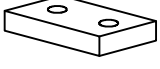
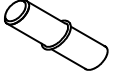


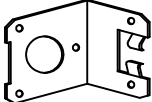
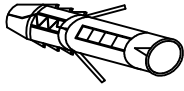
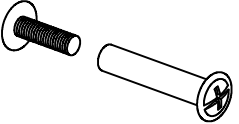
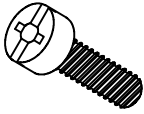
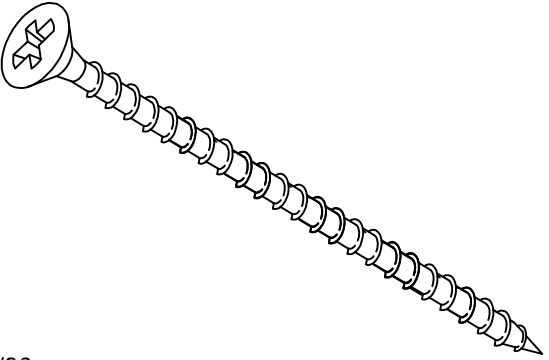
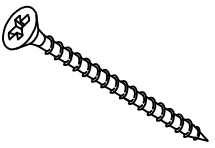


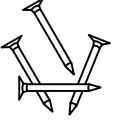


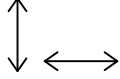
120 min.

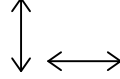


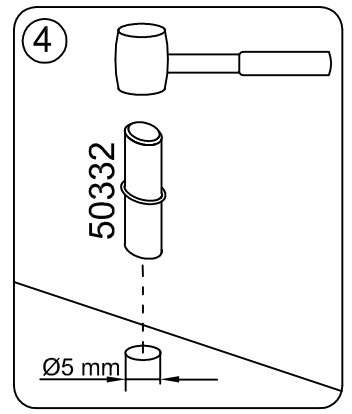
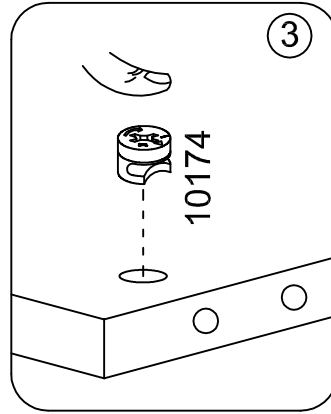
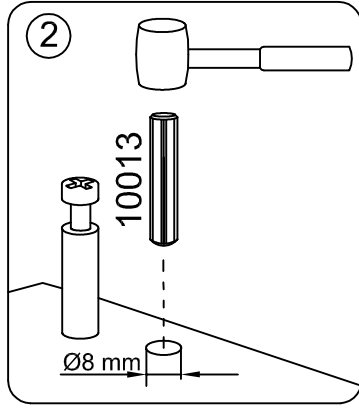
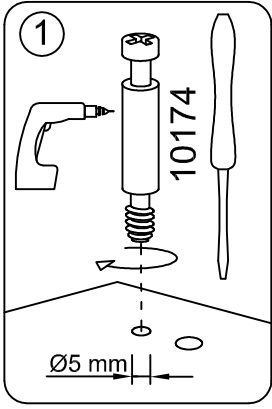
<http://www.irimbg.com/instructions/>



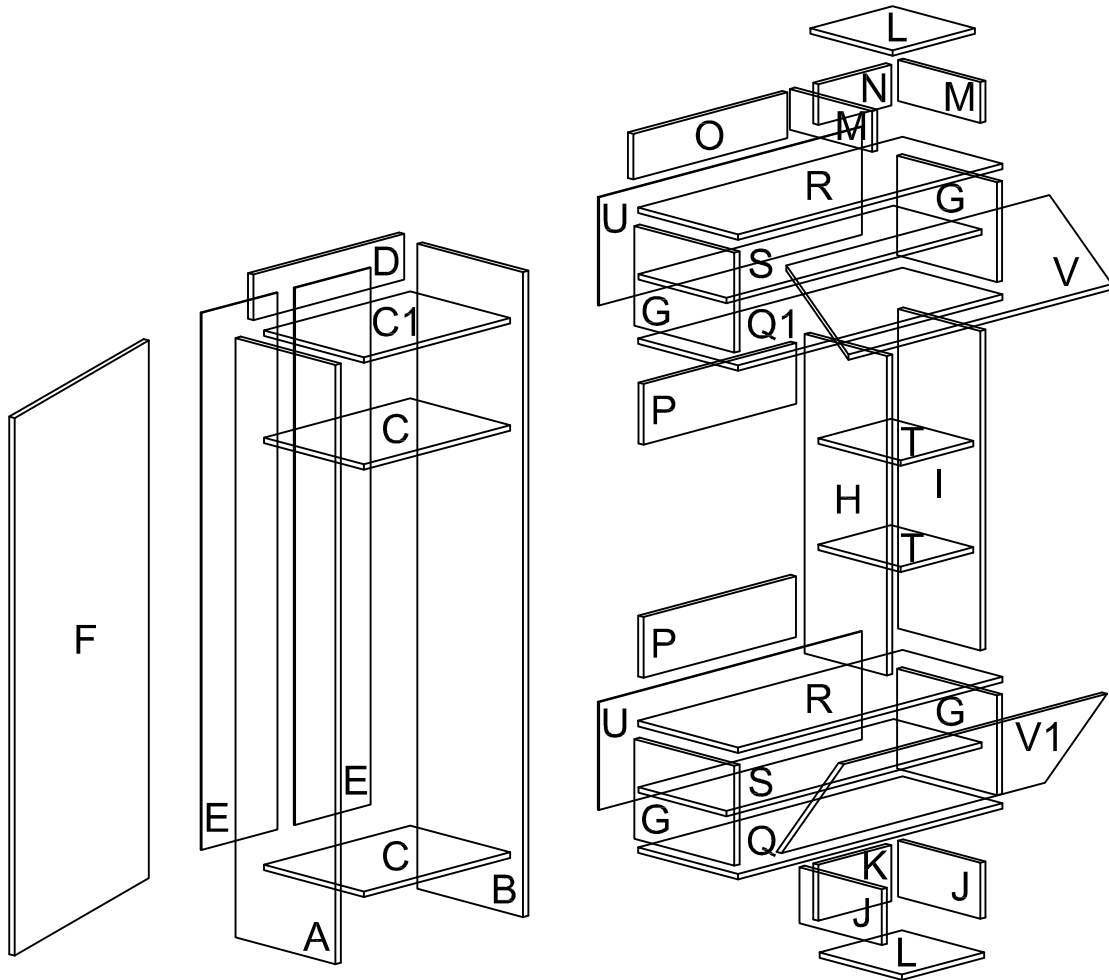
	76x  10174	76x  Φ 8/30 10013	76x  50317
	2x  40161	5x  soft closing 40158	1x  50007
2x  40N 50943	2x  60N 50947	8x  50246	16x  50332
3x  20111	3x  30029	2x  51066	2x  10060
8x  10037	6x  M 4/18 10186	2x  Φ 6/80 10021	
10x  Φ 3,5/30 10004	22x  Φ 3,5/20 10002		
57x  Φ 3,5/16 10001	 10033		

		Box number
A	1970x340	1/8
B	2120x360	1/8
C,C1	3x 498x340	2/8
D	514x150	4/8
E	2x 1765x258	3/8
F	1767x510	3/8
G	4x 328x340	4,5/8
H	1050x280	8/8
I	1050x280	8/8
J	2x 184x280	4/8
K	248x184	4/8
L	2x 280x280	4,5/8

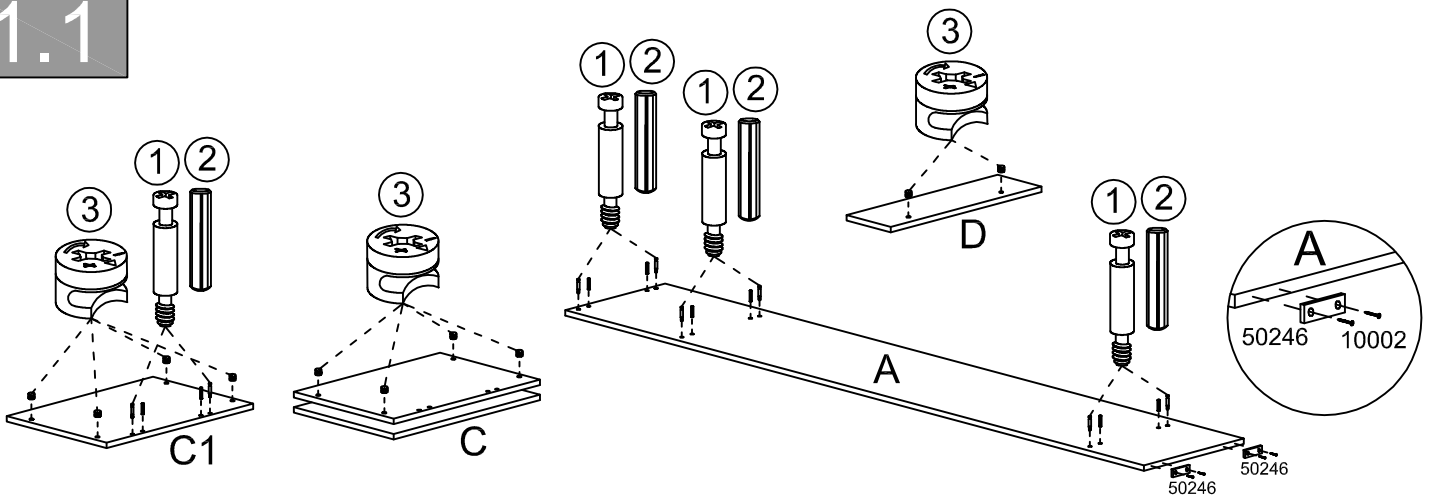
		Box number
M	2x 134x280	5/8
N	248x134	5/8
O	590x150	5/8
P	2x 590x200	6/8
Q	900x340	4/8
Q1	900x340	5/8
R	2x 900x340	4,5/8
S	2x 868x300	6/8
T	2x 248x280	6/8
U	2x 895x355	3/8
V,V1	2x 896x357	7/8

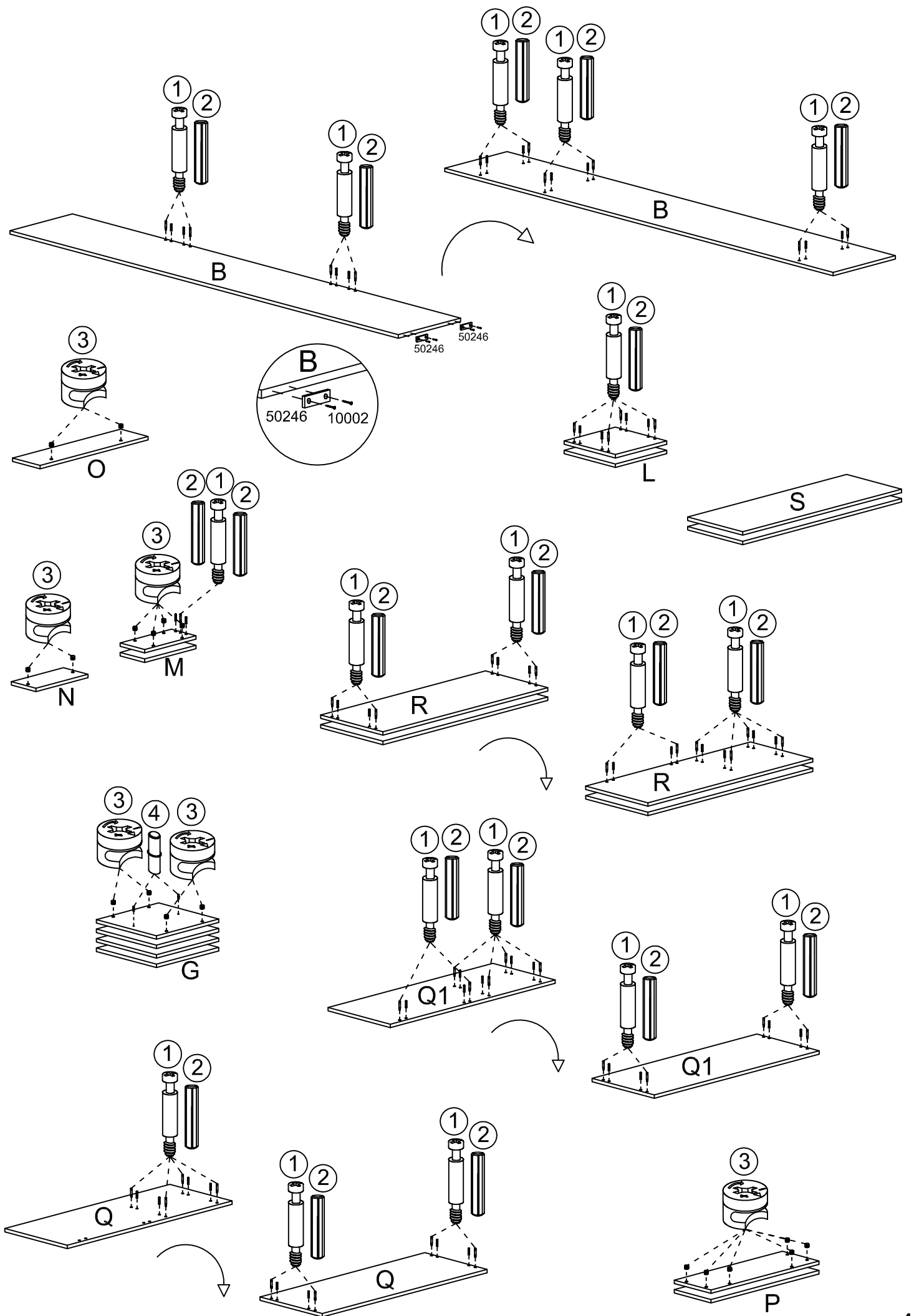


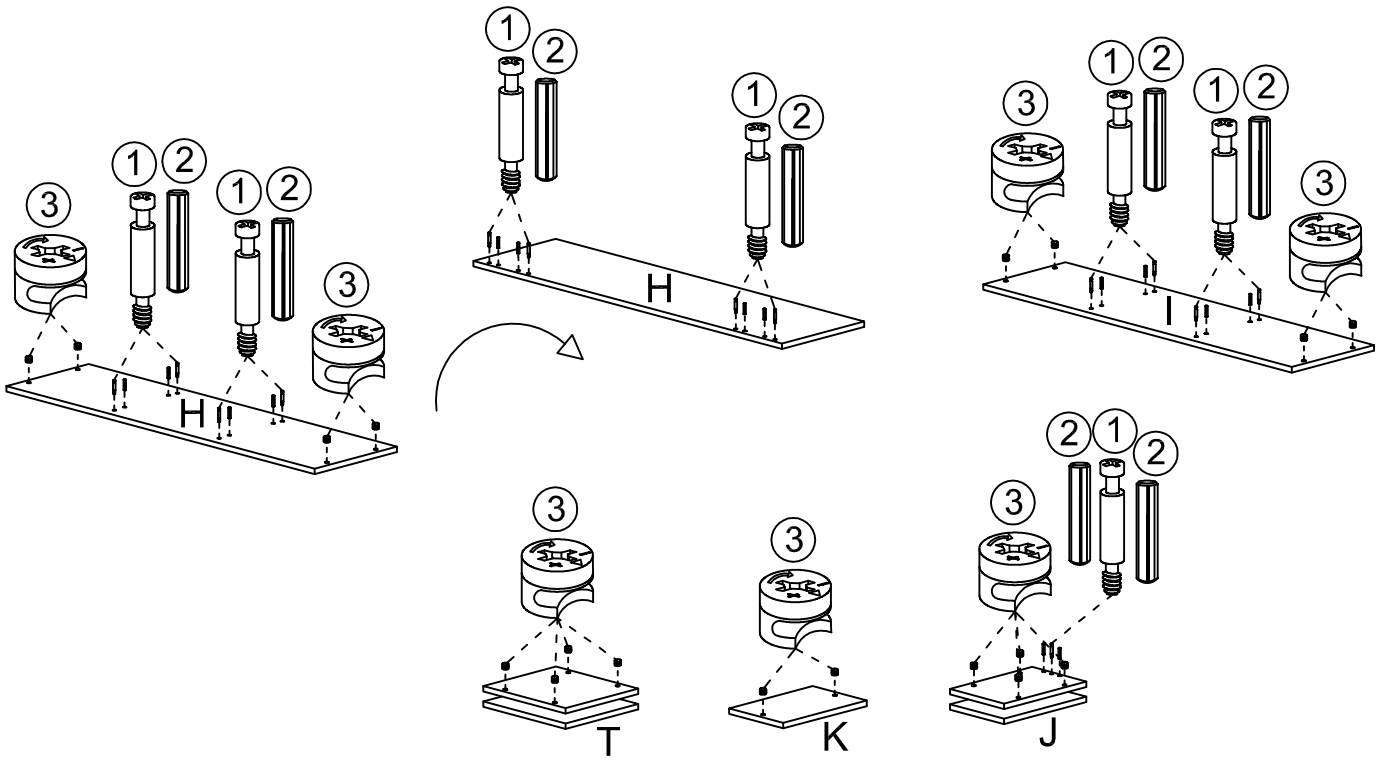
1



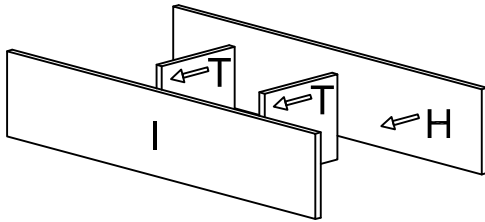
1.1



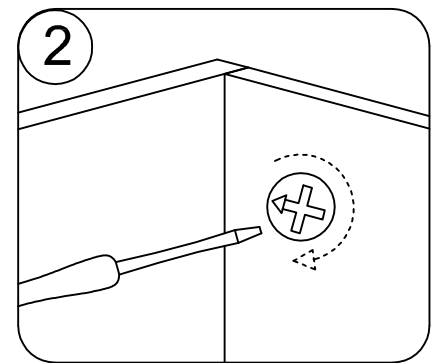
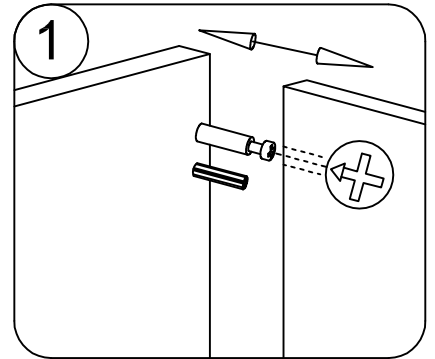
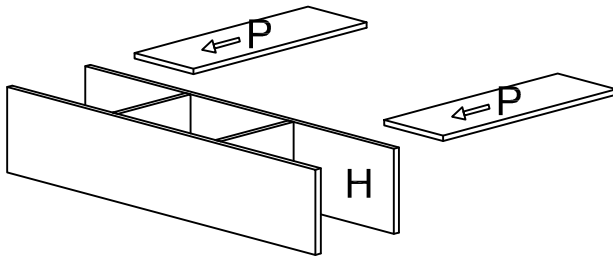




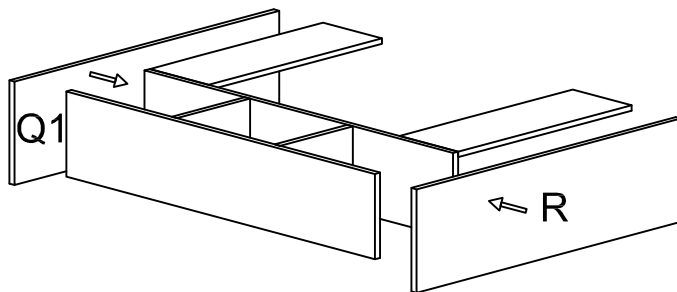
1.2



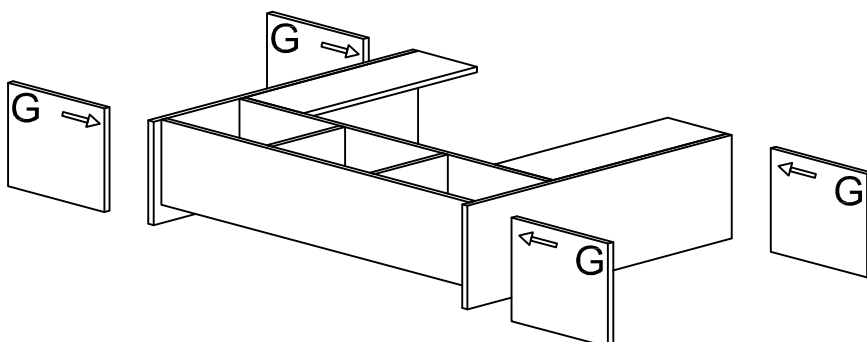
1.3



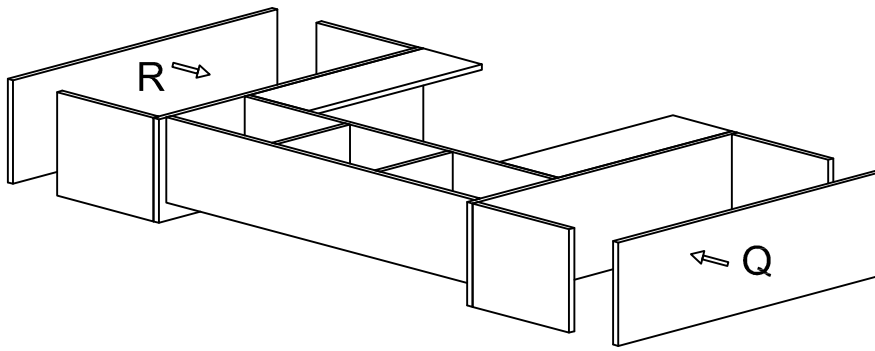
1.4



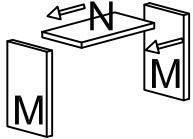
1.5



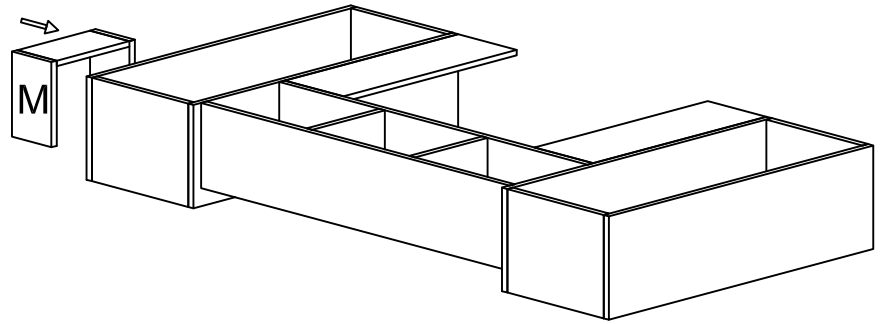
1.6



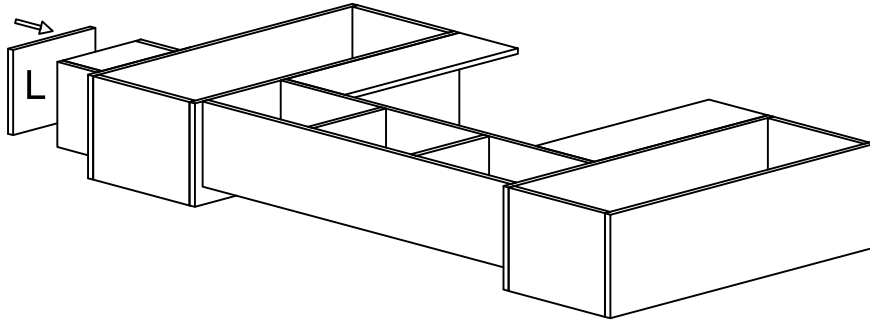
1.7



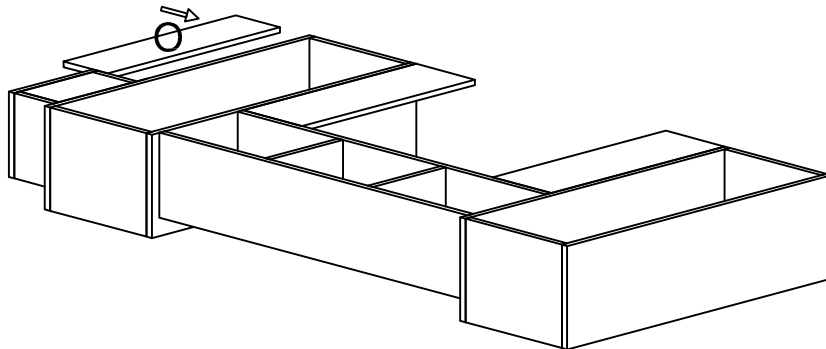
1.8



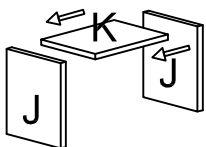
1.9



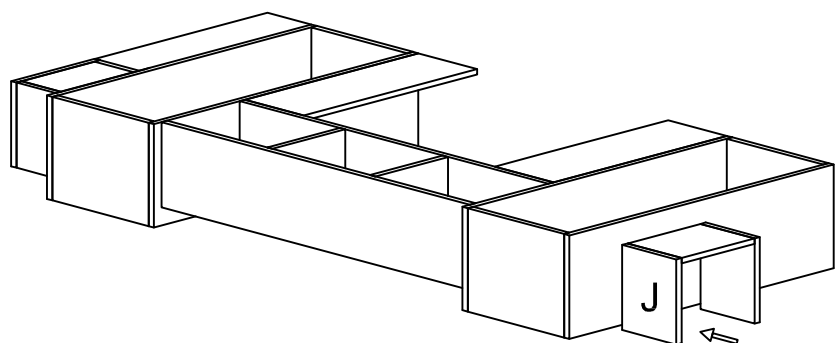
1.10



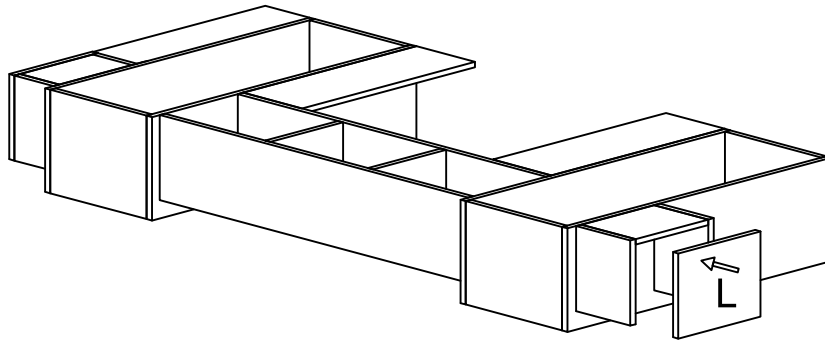
1.11



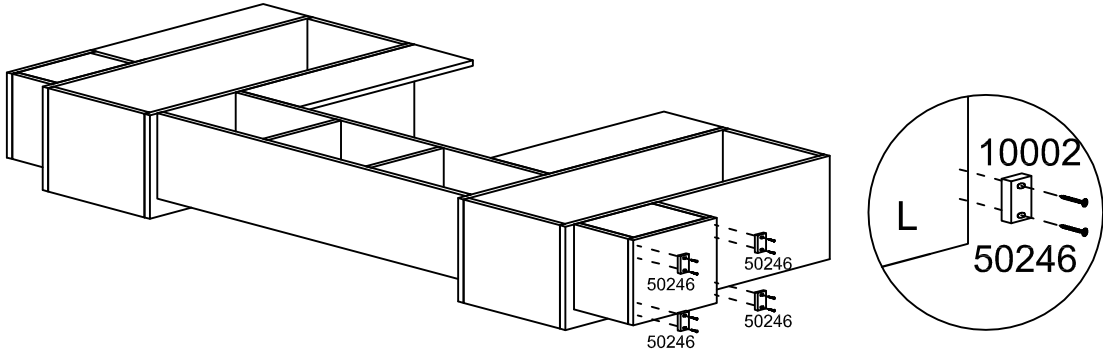
1.12



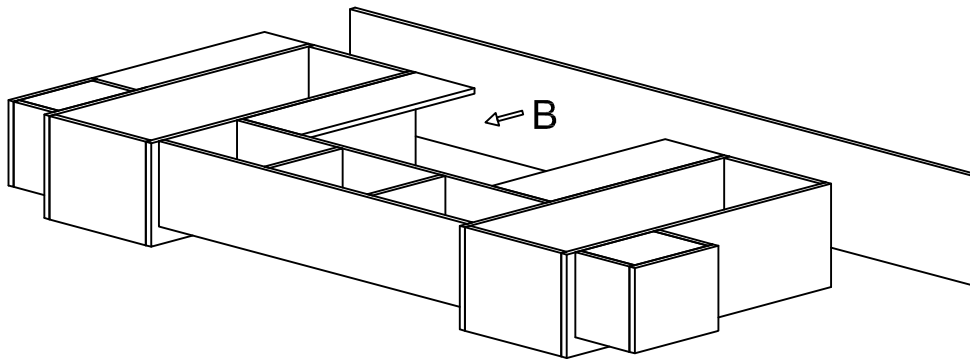
1.13



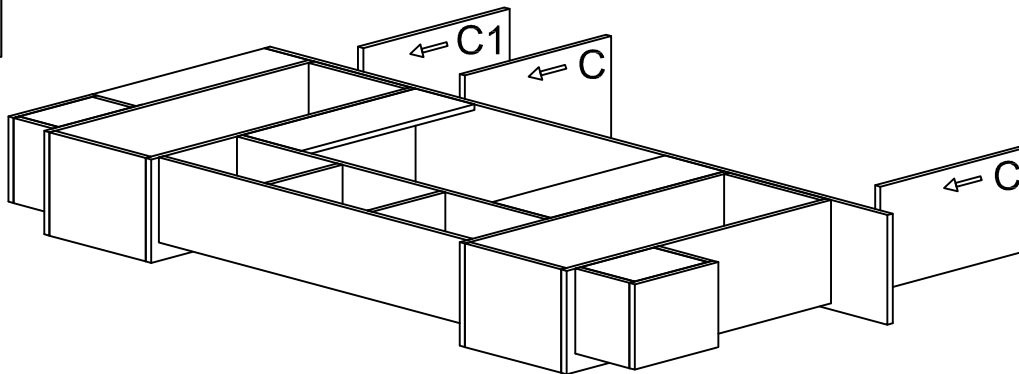
1.14



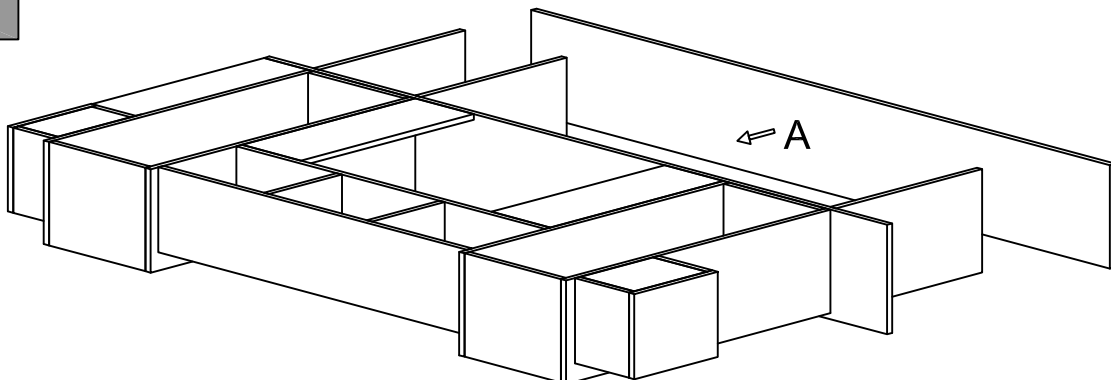
1.15



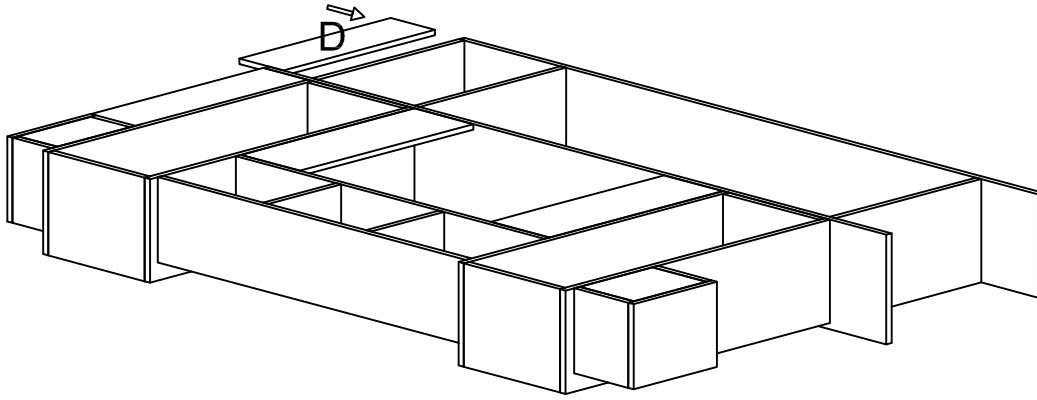
1.16



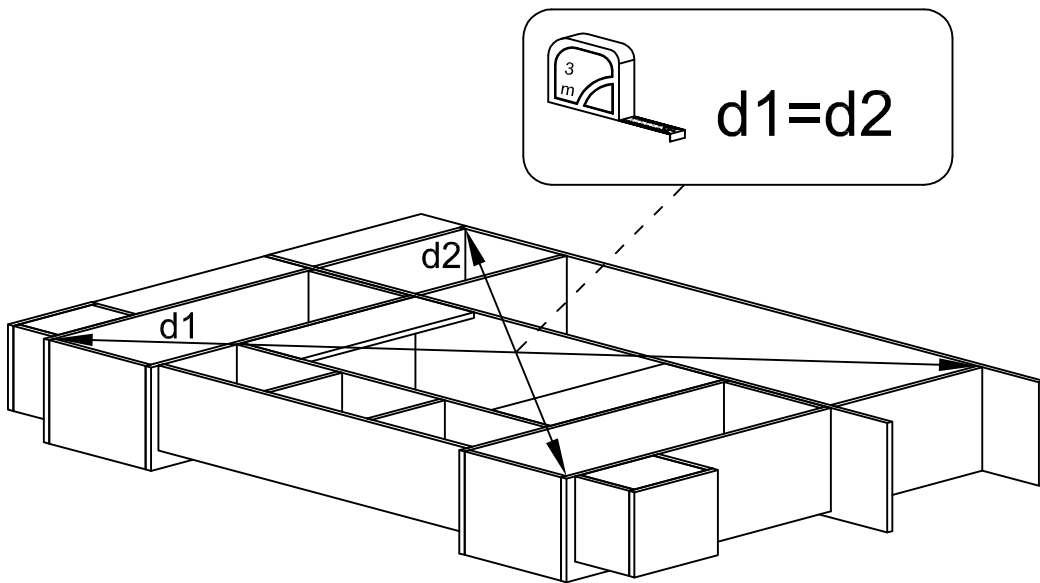
1.17



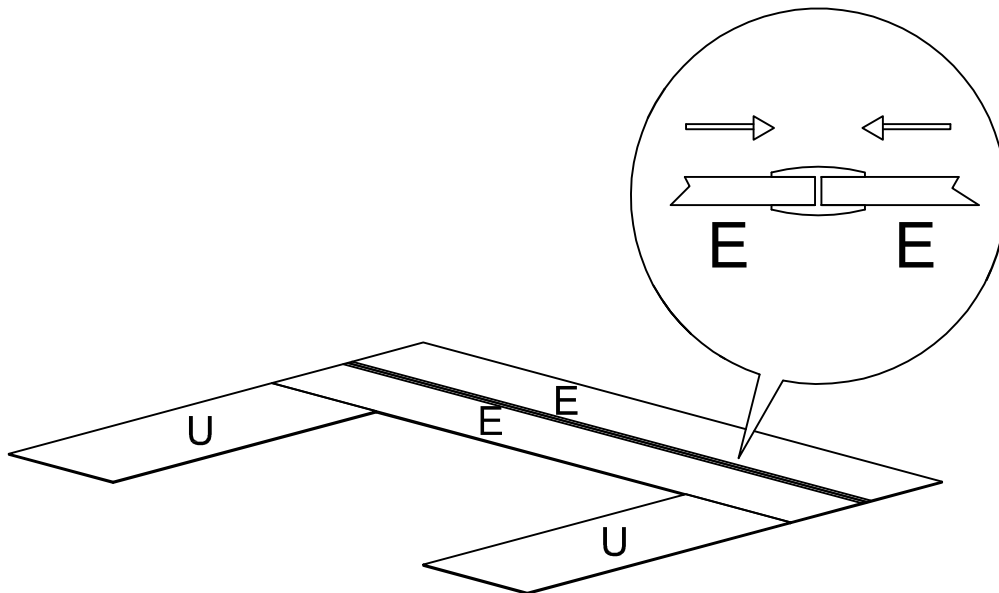
1.18



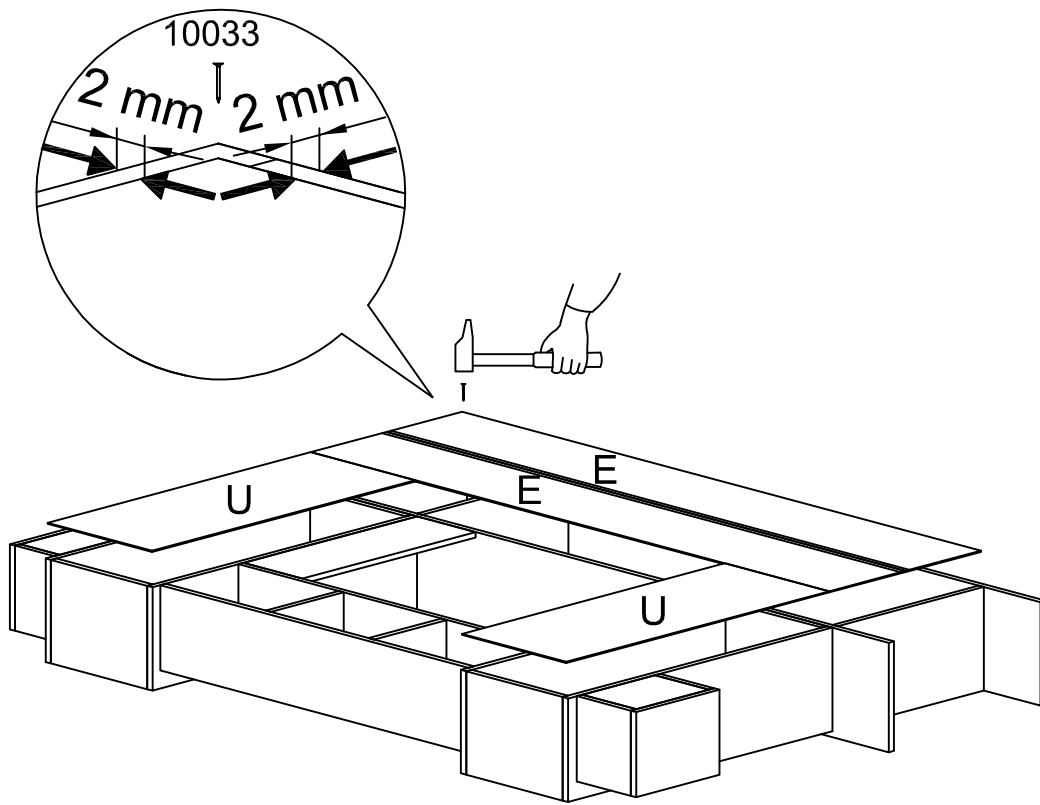
1.19



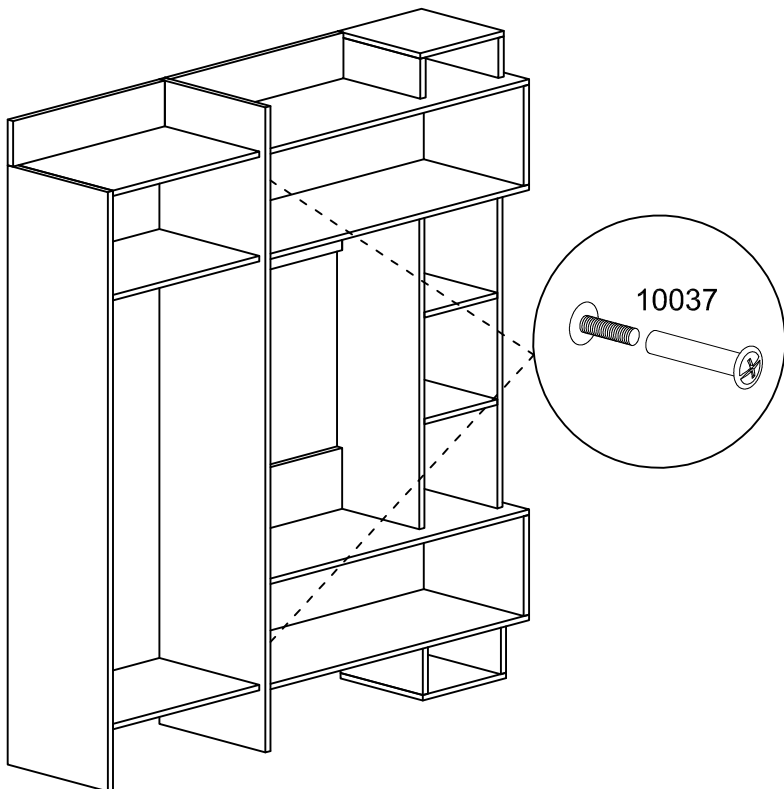
1.20



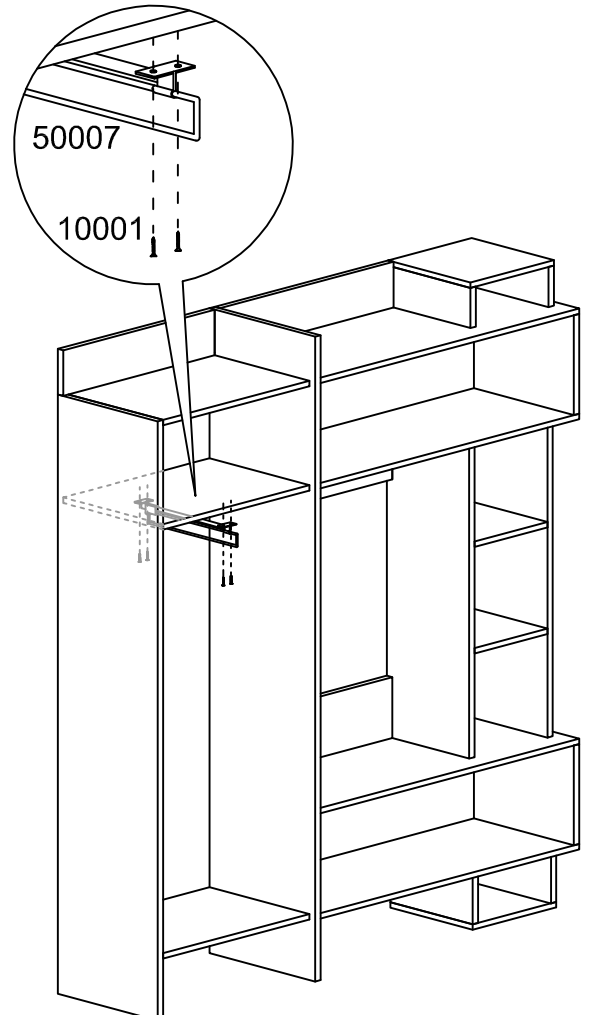
1.21



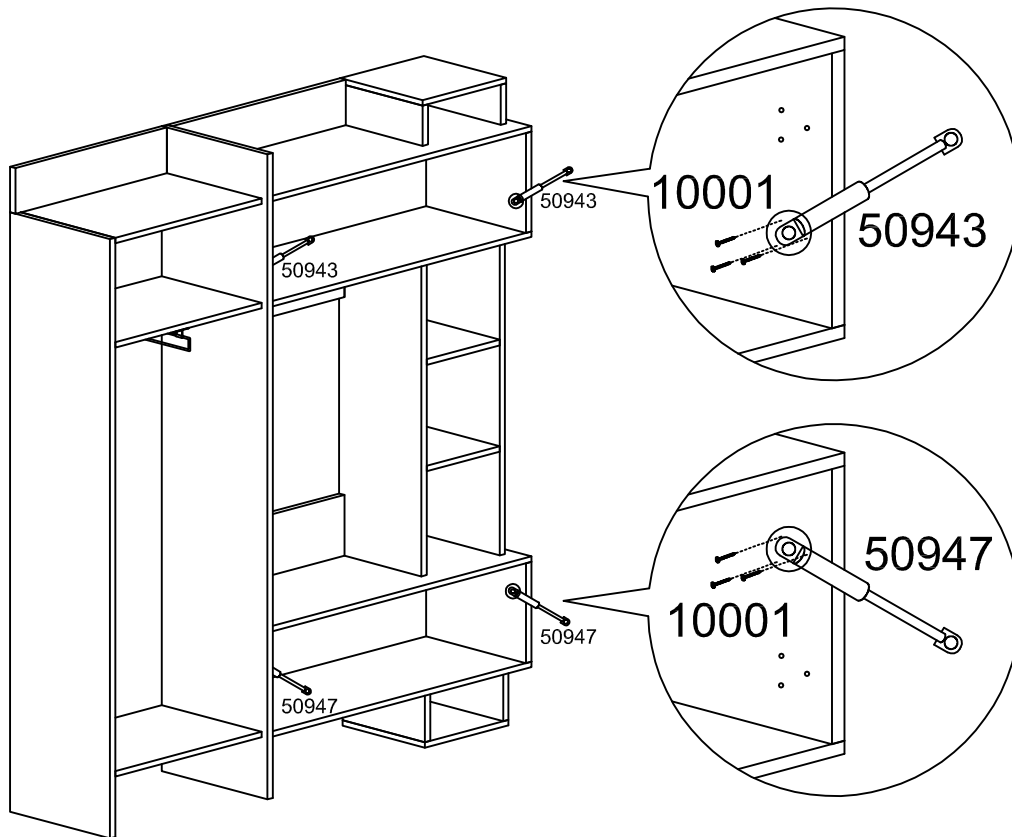
1.22



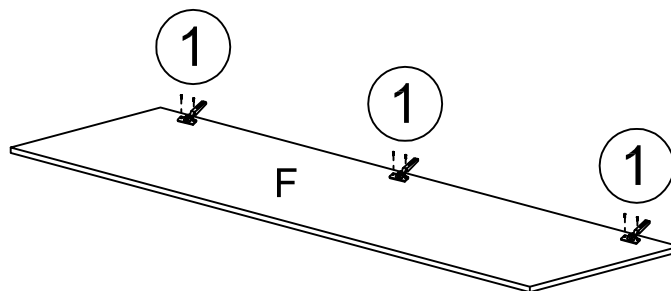
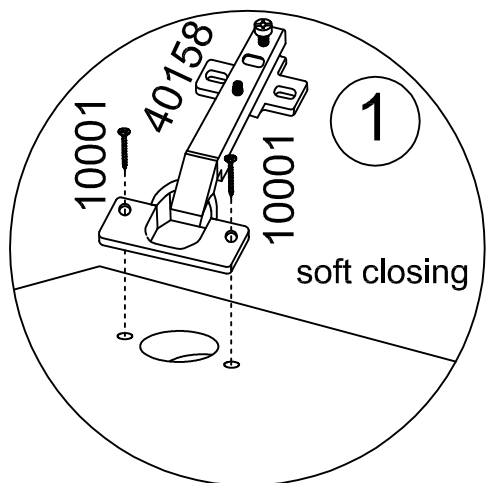
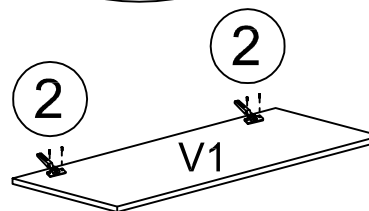
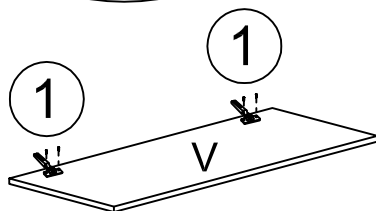
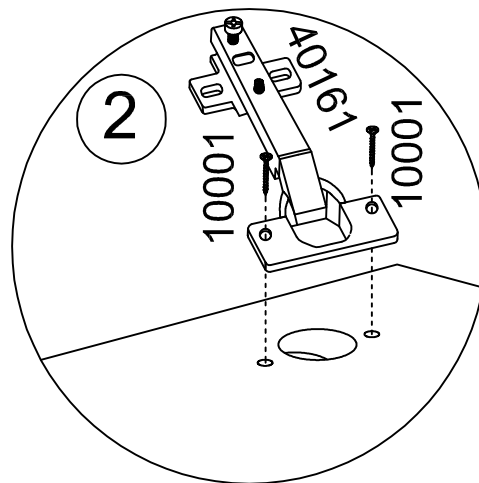
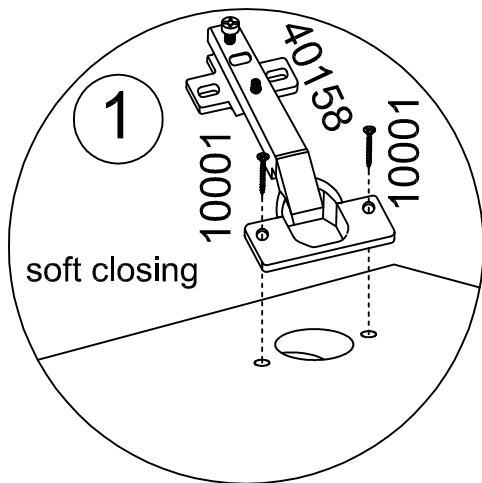
1.23

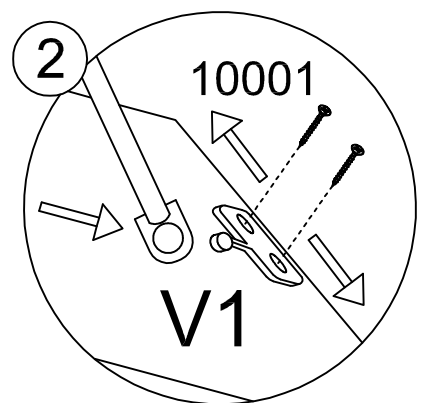
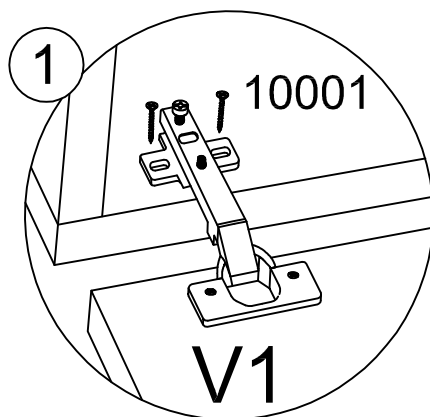
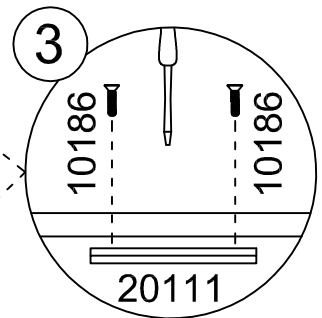
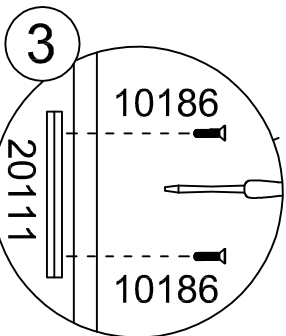
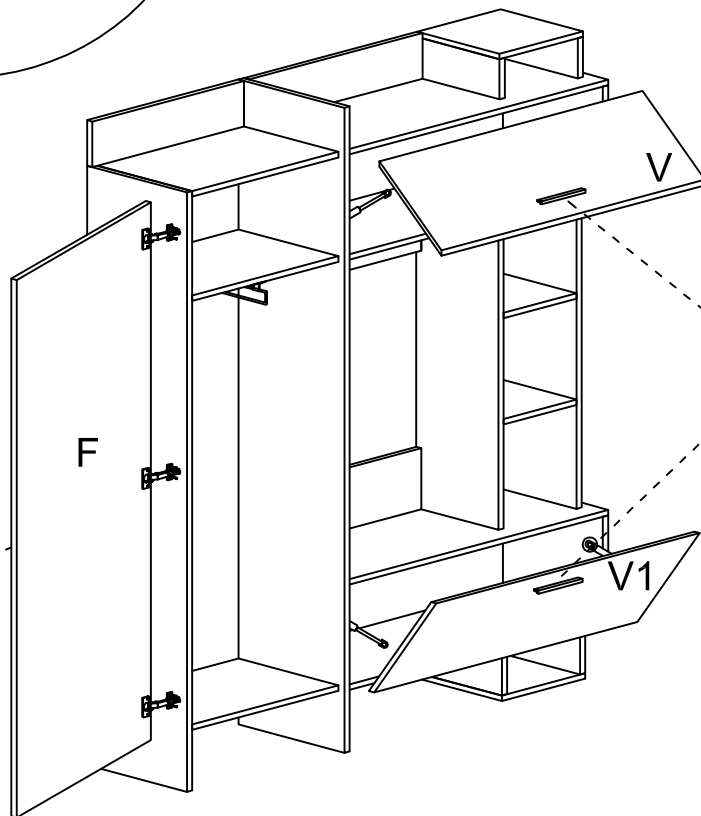
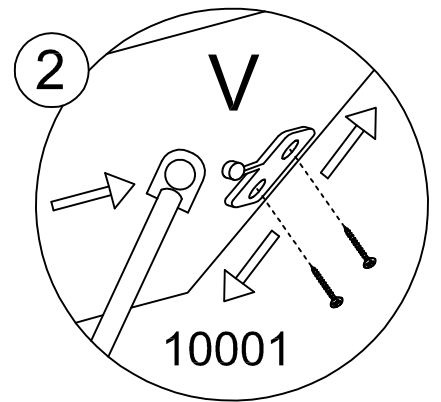
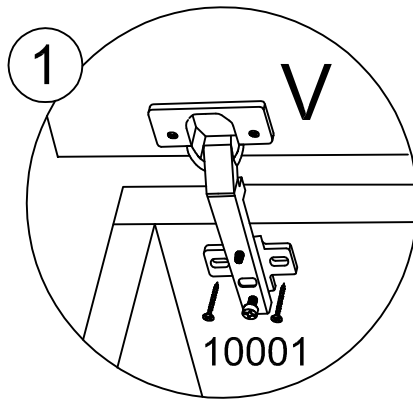
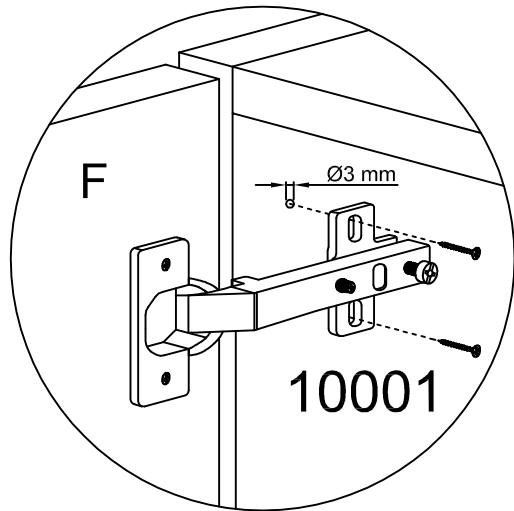


1.24

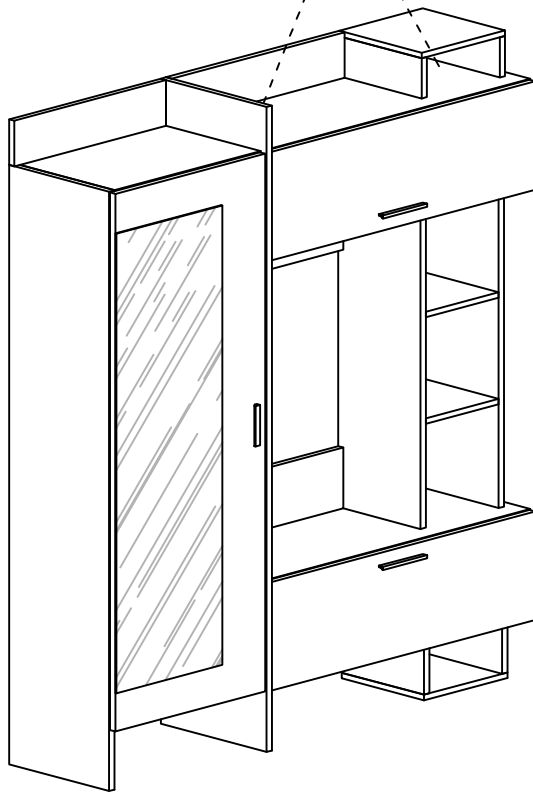
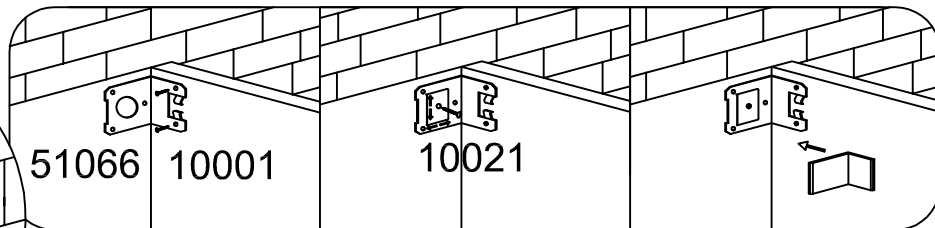
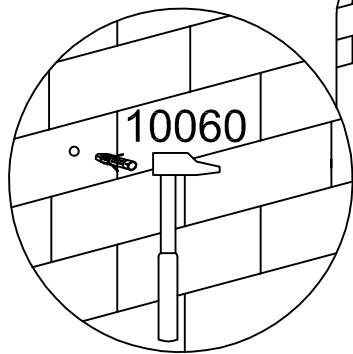


1.25





1.27



1.28

