

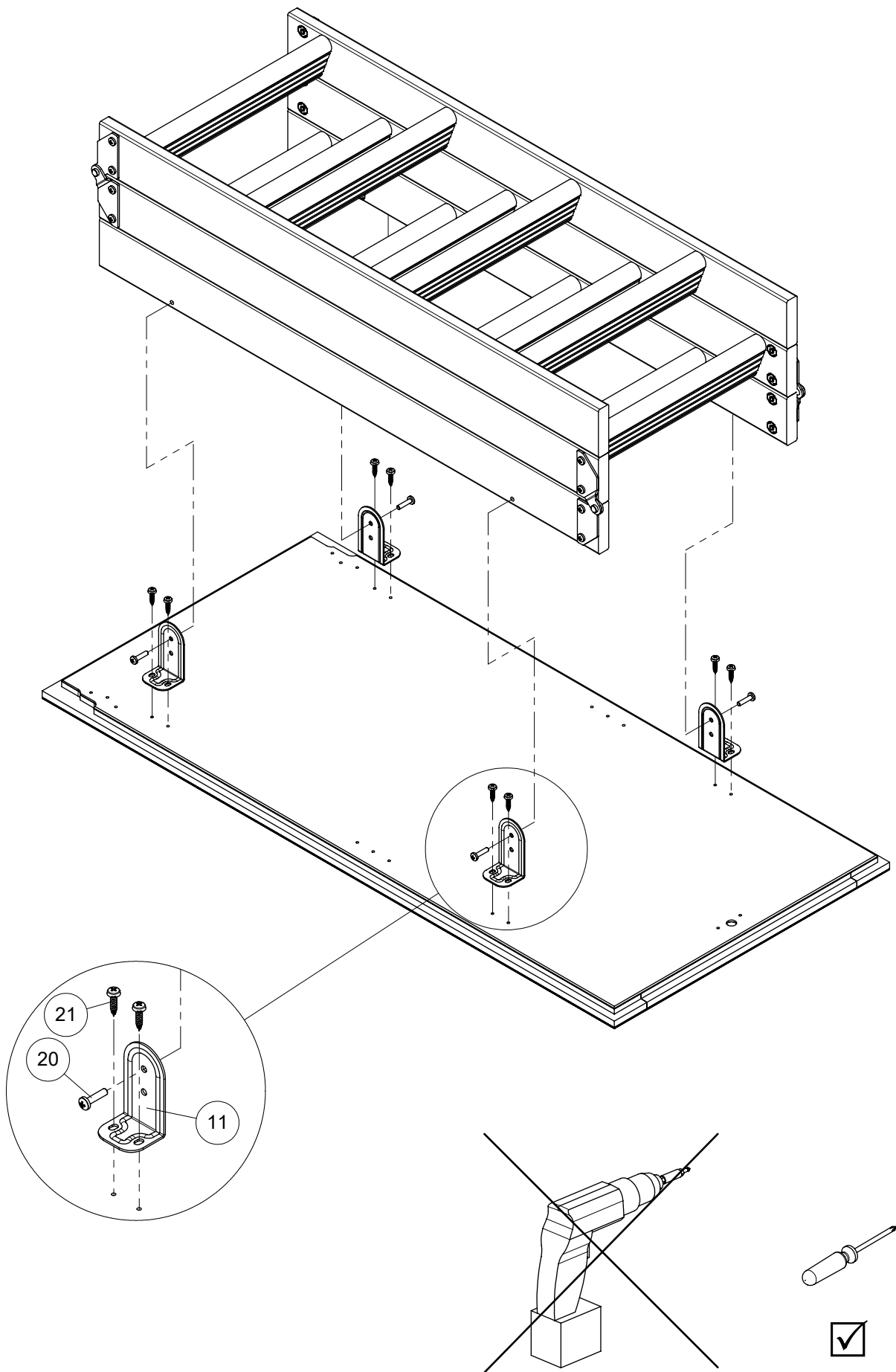
<p>10</p> <p>× 1 C2-11031</p> <p>× 1 C2-11030</p>	<p>11</p> <p>× 4 C1-09060</p>	<p>12</p> <p>× 1 R1-63106</p>	<p>13</p> <p>× 1 K1-22920</p>	<p>14</p> <p>× 1 K2-22925</p>			
<p>17</p> <p>× 4 R1-61215</p>		<p>15</p> <p>× 1 R1-60104</p> <p>16</p> <p>× 2 R1-61411</p> <p>18</p> <p>× 2 C2-10203</p> <table border="1" data-bbox="790 761 1528 996"> <tr> <td data-bbox="790 761 1029 996"> <p>18.1</p> <p>× 2 K1-03030</p> </td> <td data-bbox="1029 761 1268 996"> <p>18.2</p> <p>× 2 K3-04005 Ø6</p> </td> <td data-bbox="1268 761 1528 996"> <p>18.3</p> <p>× 2 K3-01020 M6 x 30</p> </td> </tr> </table>			<p>18.1</p> <p>× 2 K1-03030</p>	<p>18.2</p> <p>× 2 K3-04005 Ø6</p>	<p>18.3</p> <p>× 2 K3-01020 M6 x 30</p>
<p>18.1</p> <p>× 2 K1-03030</p>	<p>18.2</p> <p>× 2 K3-04005 Ø6</p>	<p>18.3</p> <p>× 2 K3-01020 M6 x 30</p>					

<p>17</p> <p>× 4 R1-61215</p>	<p>18</p> <p>× 2 C2-10203</p> <table border="1" data-bbox="790 761 1528 996"> <tr> <td data-bbox="790 761 1029 996"> <p>18.1</p> <p>× 2 K1-03030</p> </td> <td data-bbox="1029 761 1268 996"> <p>18.2</p> <p>× 2 K3-04005 Ø6</p> </td> <td data-bbox="1268 761 1528 996"> <p>18.3</p> <p>× 2 K3-01020 M6 x 30</p> </td> </tr> </table>			<p>18.1</p> <p>× 2 K1-03030</p>	<p>18.2</p> <p>× 2 K3-04005 Ø6</p>	<p>18.3</p> <p>× 2 K3-01020 M6 x 30</p>
<p>18.1</p> <p>× 2 K1-03030</p>	<p>18.2</p> <p>× 2 K3-04005 Ø6</p>	<p>18.3</p> <p>× 2 K3-01020 M6 x 30</p>				

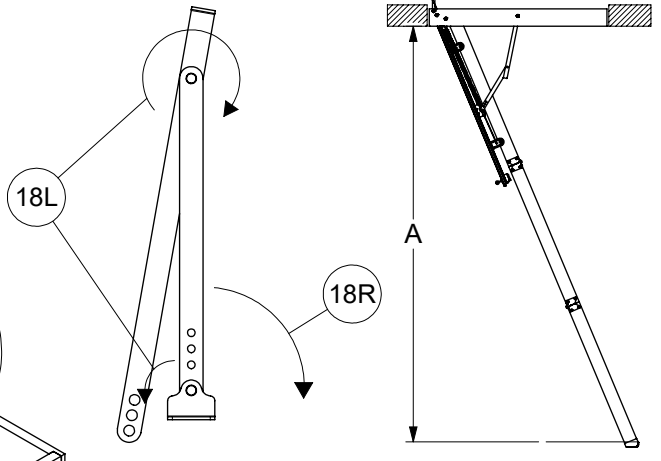
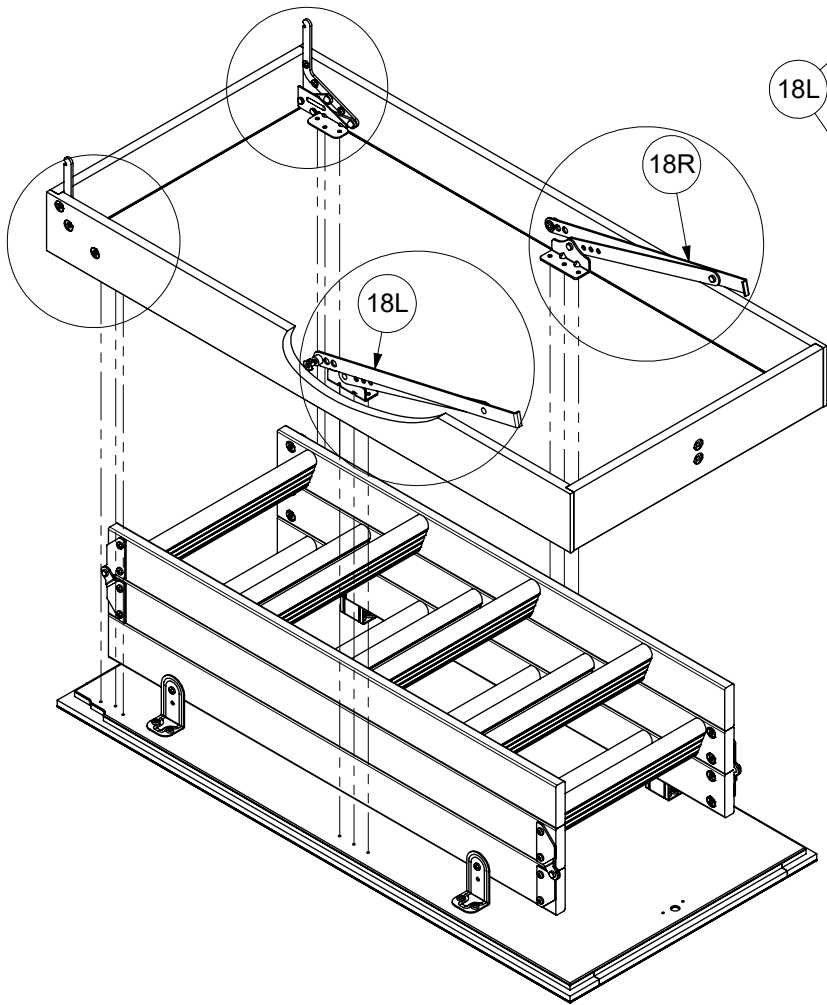
<p>20</p> <p>× 12 R1-63119 M6 x 20</p>	<p>21</p> <p>× 20 R1-63272 Ø6 x 25</p>	<p>22</p> <p>× 4 R1-63242 Ø3,5 x 45</p>	
--	--	---	--

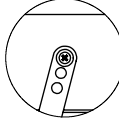
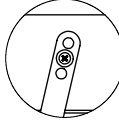
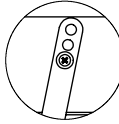
<p>28</p> <p>× 1 R1-63216 Ø3,5 x 16</p>	<p>29</p> <p>× 1 K1-22035</p>	<p>30</p> <p>× 1 R1-40980</p>
---	-----------------------------------	-----------------------------------

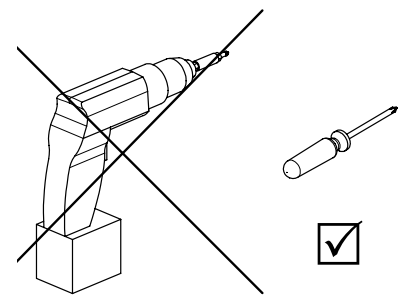
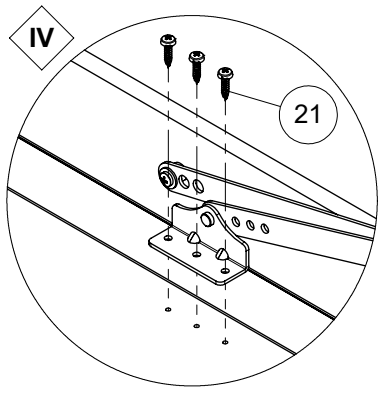
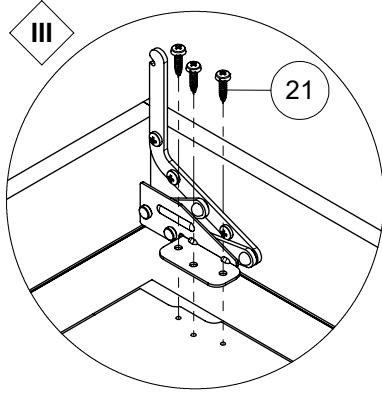
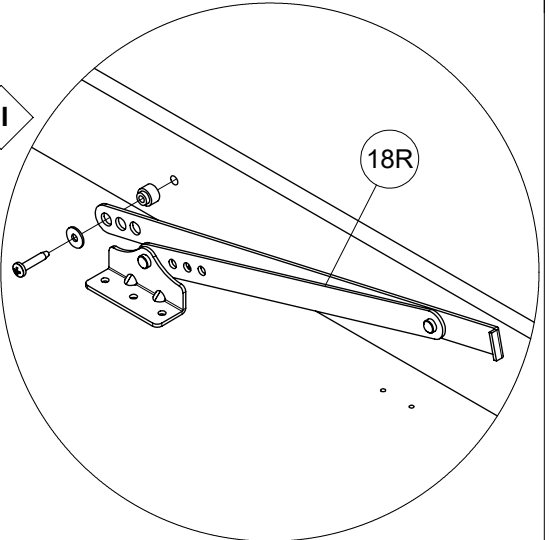
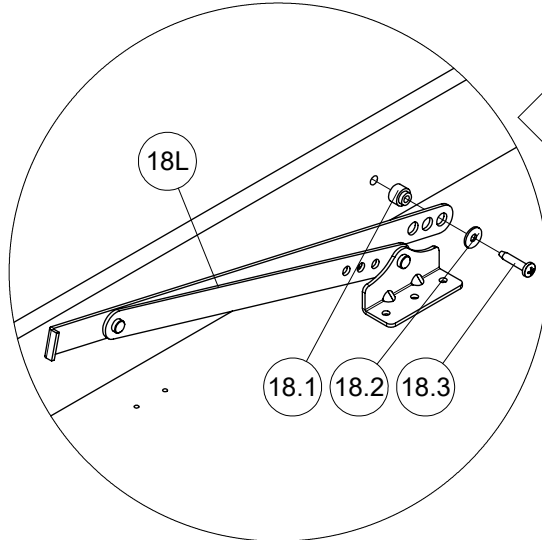
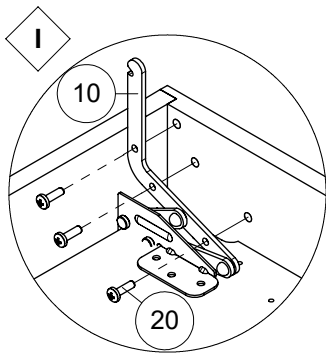
1

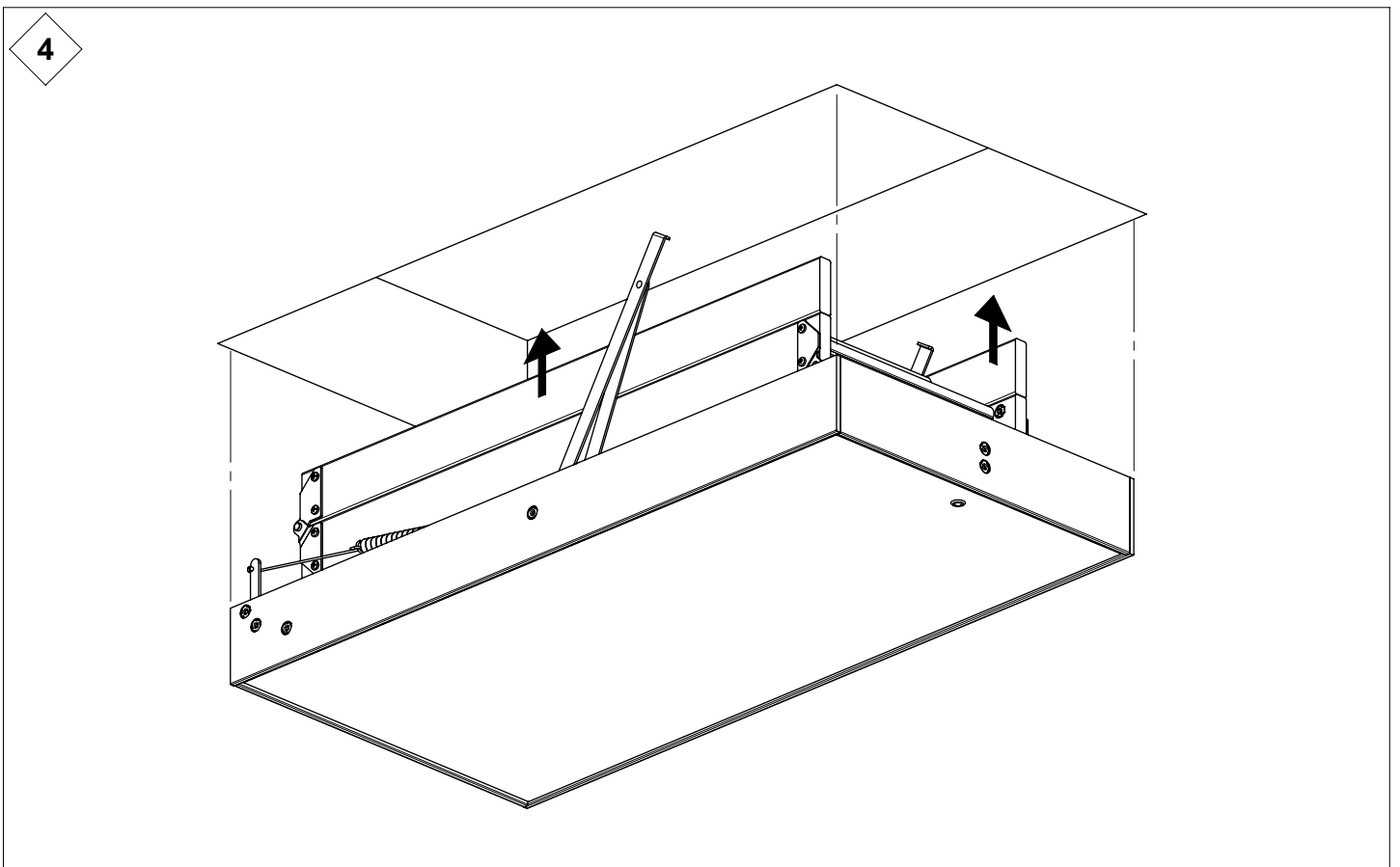
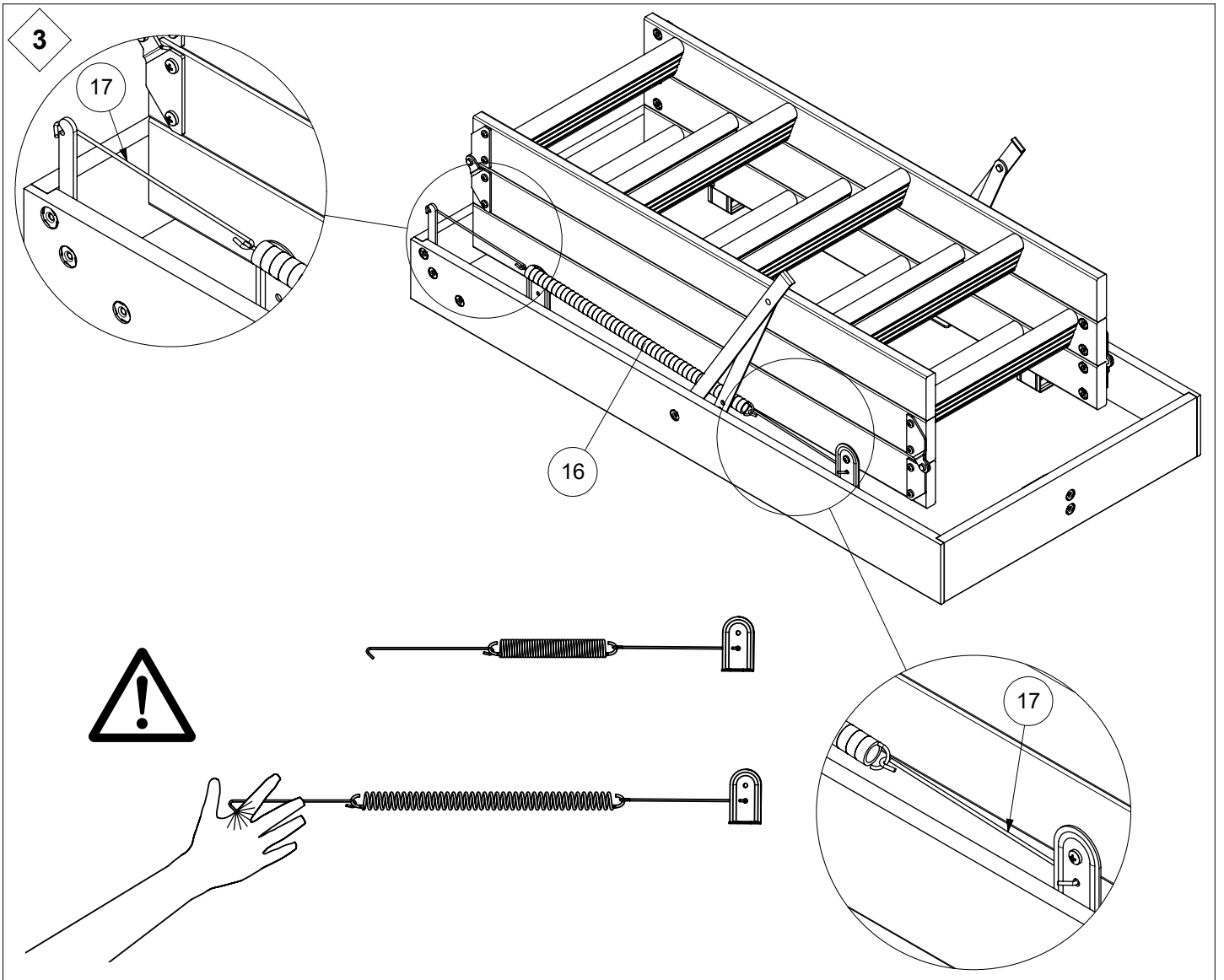


2

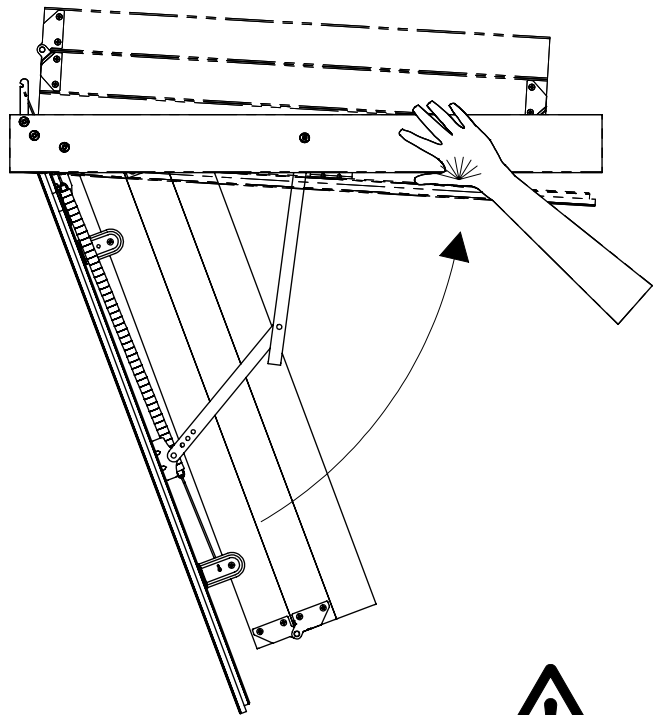
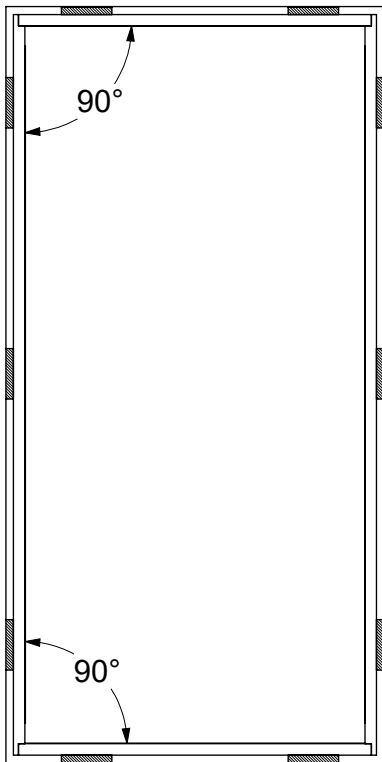
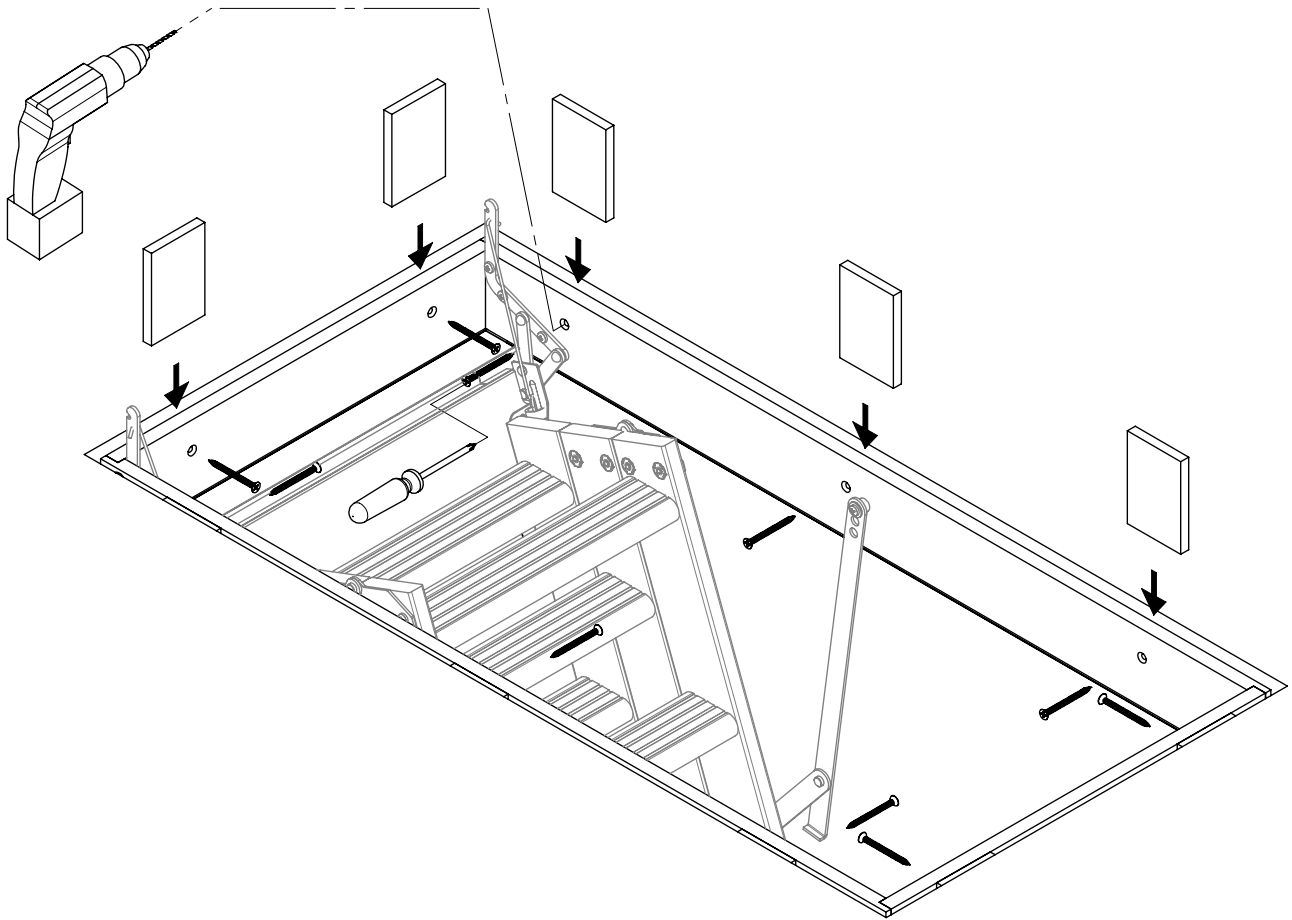


-  **Pos. 1**  
A
-  **Pos. 2**  
A + 45 mm
-  **Pos. 3**  
A + 90 mm

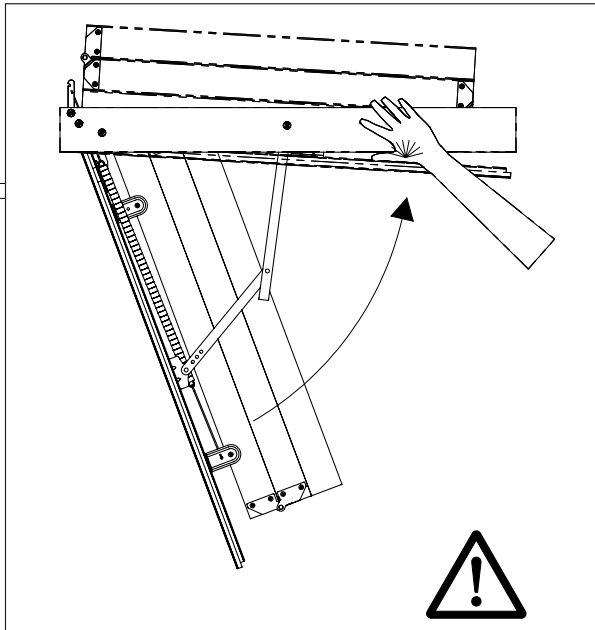
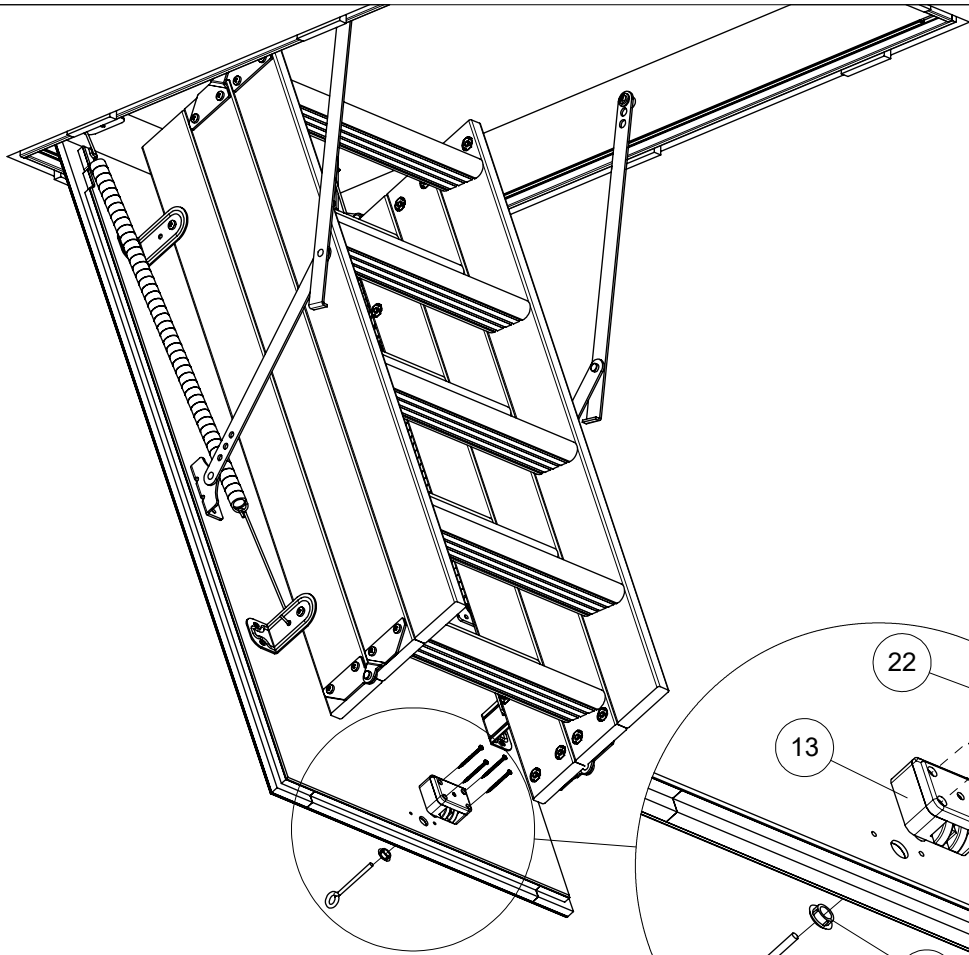




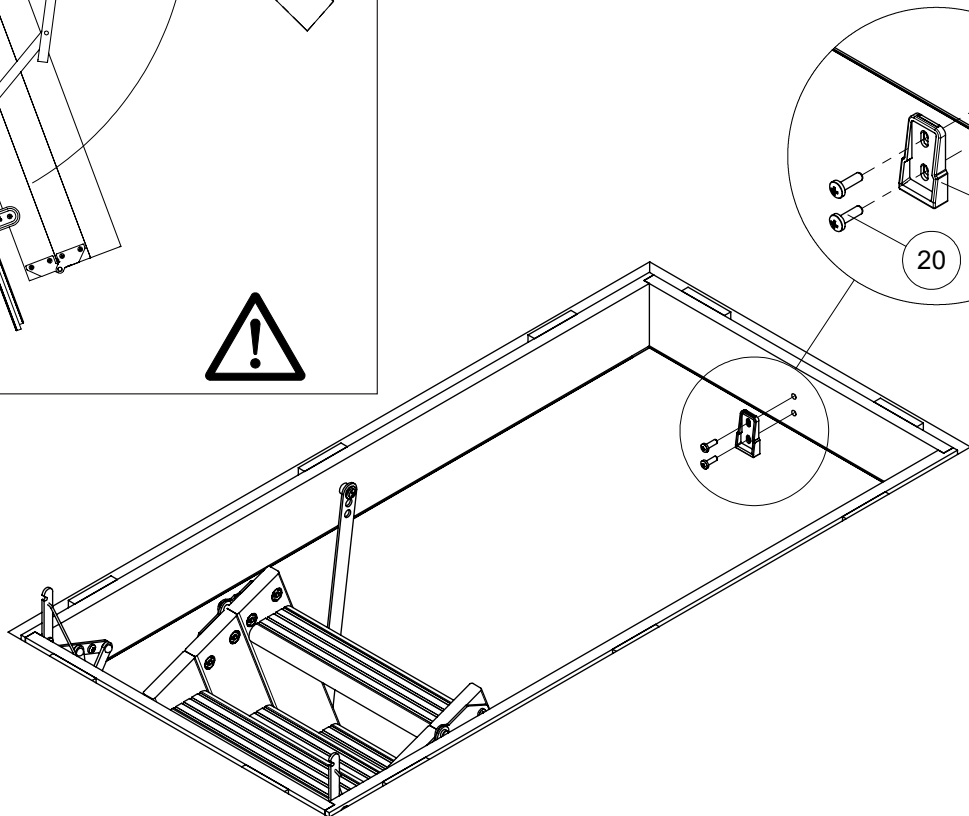
5



6



7



8

